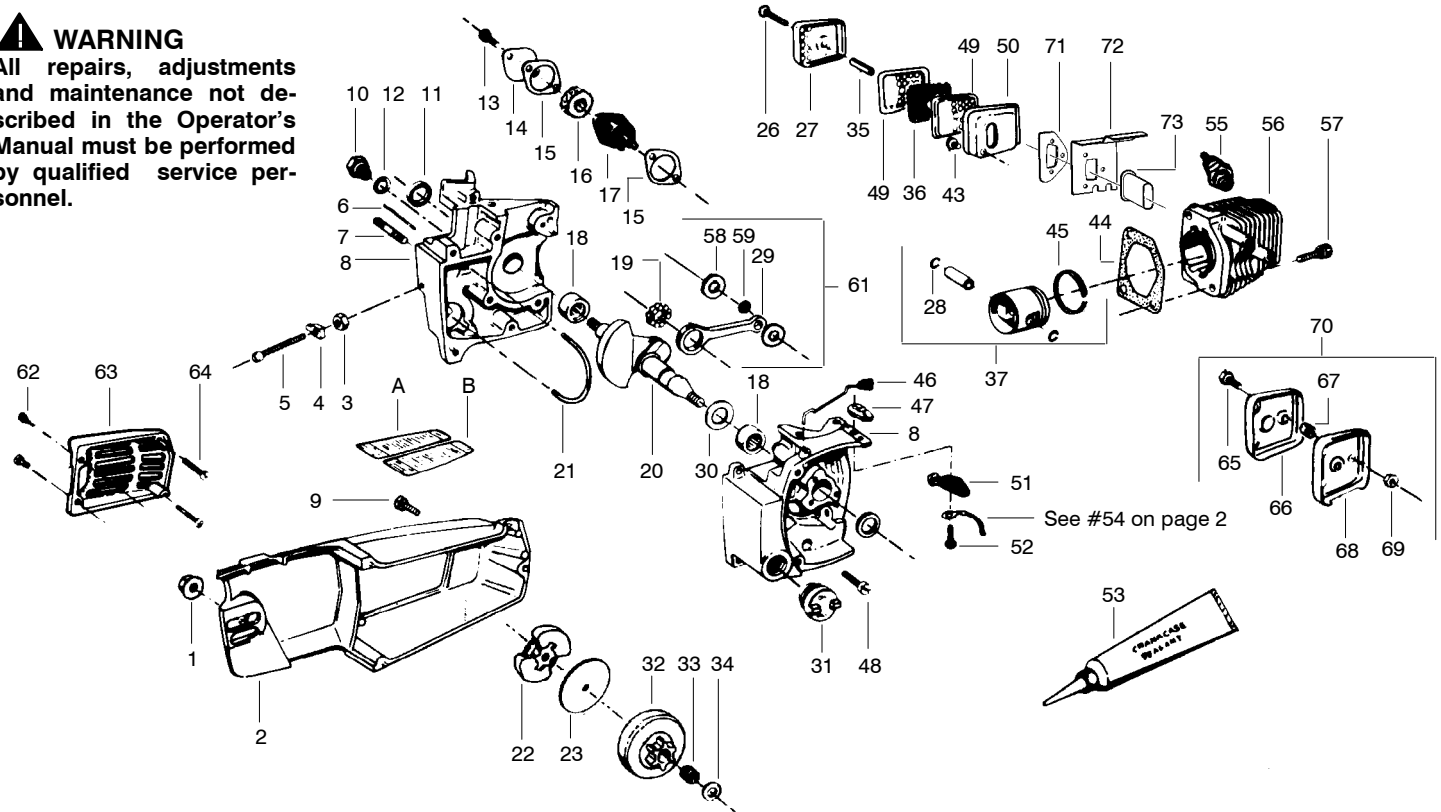


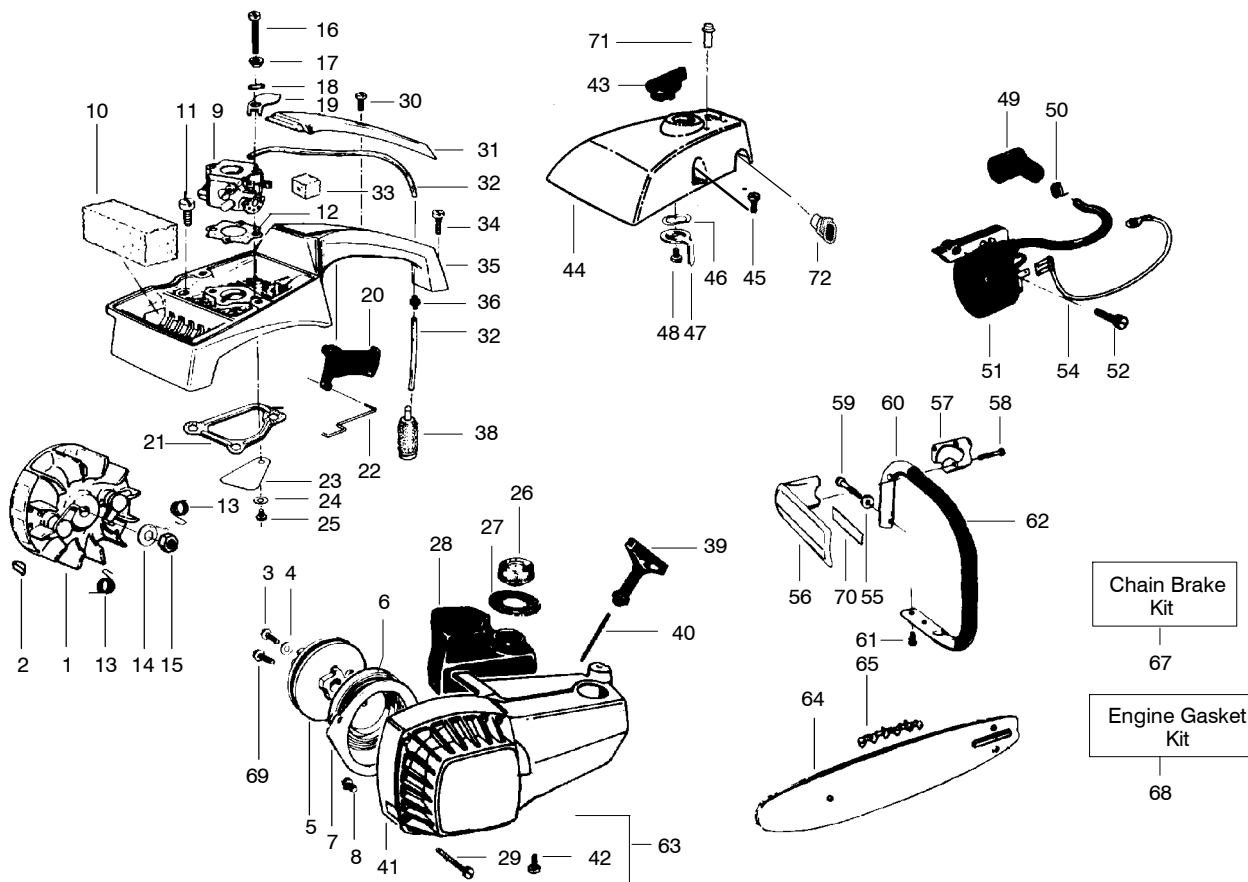
PARTS LIST NO. 530083694		POULAN® PARTS LIST	CHAIN SAW MODEL(S) 1800, 1800 Super, Woodshark & 2000
DATE 12/03/96	REPLACES 530066069-9/15/95		Note: Illustration may differ from actual model due to design changes

⚠ WARNING
All repairs, adjustments and maintenance not described in the Operator's Manual must be performed by qualified service personnel.



KEY NO.	PART NO.	DESCRIPTION	KEY NO.	PART NO.	DESCRIPTION	KEY NO.	PART NO.	DESCRIPTION
1	530015445	Bar Mounting Nut	31	-	Oil Cap Ass'y (Incl. O-Ring w/ Retainer)	56	-	Cylinder
2	530029476	Bar Clamp			T 1 & T 2		530012139	1800 T 1 & 2
3	530015135	Lock Nut		530010221	T 3 & T 4		530012140	2000 T 1, 2 & 3; & 1800 T 3 & 4
4	530023492	Bar Adjust Pin		530010444				
5	530016115	Screw	32	530069166	Clutch Drum	57	530015239	Screw
6	★★★★★	Oil Tank Vent Pin- See Service Ref 7	33	530032079	Clutch Bearing (Use only with Clutch Drum & Bearing Kit #69166)	58	530015486	Washer-2000 (Date Code/Serial #A1890001 and after)
7	530015719	Bar Mounting Stud	34	530023519	Spacer	59	530032075	Bearing Rod (Top-Incl. 22 Bearings) 2000 (Date Code/Serial #A1890001 and after)
8	530014742	Crankcase Ass'y (Incl. 3-6,11,18,31&48)	35	530023535	Spark Arrestor Screen			
9	530015623	Screw	36	530023796	Piston Kit (Incl. 28,45&Pin)	61	530010474	Connecting Rod Ass'y. Kit (Incl 29, 58, & 59) 2000 (Date Code/Serial #A1890001 and after)
10	530069142	Check Valve Kit (Incl. 12)	37	-	1800-T 1 & T 2			
11	530019059	Crankshaft Seal		530010432	2000-T 1, 2 & 3; & Model 1800-T 3 & 4			
12	530019089	Check Valve Gasket	43	530001666	Screw	62	530015474	Screw-T 2
13	530015476	Screw	44	530019237	Cylinder Gasket	63	530025259	Muffler Shield
14	530023802	Metering Body Cover	45	-	Piston Ring	64	530015463	Screw
15	530019091	Metering Body Gasket		530024929	Model 1800;	65	530015476	Screw
16	530023801	Oil Filter		530023789	Model 2000 (before Date Code/Serial #A1890001	66	530024201	Heat Shield
17	530010195	Oil Pump Ass'y.		530025875	Model 2000 (Date Code/Serial #1890001 and after)	67	530015331	Spacer
18	530032029	Crankshaft Bearing	46	530023788	Switch Knob Ass'y.	68	530024202	Muffler Cover
19	530032065	Roller Bearing (Incl. 12 bearings)	47	530023786	Ramp Switch	69	530015332	Locknut
20	530022172	Crankshaft	48	530015986	Screw	70	530069034	Heat Shield Kit
21	530021026	Oil Discharge Line	49	530023797	Muffler Baffle	71	530019211	Gasket-Muffler-T 4
22	★★★★★	Clutch Ass'y. Kit (Incl. Washer) See Service Ref. 2	50	-	Muffler Body	72	530038643	Muffler Back Plate-T 4
23	530069197	Clutch Washer Kit (Outside)		530023794	T 1-3	73	530037652	Port-Insulator-T 4
26	530015169	Screw		530038325	T 4	A	-	Instructions Decal-Rt Hand
27	530023795	Muffler Cover		530023787	Switch Clamp		530026918	T 1-3
28	530023843	Piston Pin Retainer		530015235	Screw		530047722	T 4
29	530022158	Connecting Rod-1800; 2000 (before Date Code/Serial #A1890001)	51	530030054	Crankcase Sealant	B	530038552	Instruct. Decal-Left Hand
30	530023887	Thrust Washer	52	952030150	Spark Plug	Not Shown	-	Bar Wrench
			53				530031146	T 1-3
			55				530031063	T 4
							-	Operator's Manual
							530067580	T 1-3
							530083691	T 4

✓ = NEW PART NUMBER FOR THIS IPL * = REFER TO THE SERVICE REFERENCE INDICATED FOR MORE INFORMATION. (LOCATED AT END OF IPL)
● = THESE PARTS ARE ILLUSTRATED FOR CLARITY. ORDER COMPLETE ASSEMBLY.



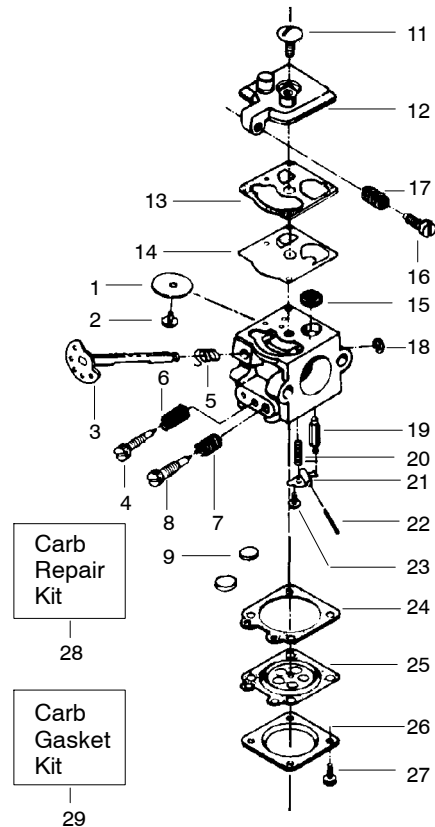
REF	PART NO.	DESCRIPTION	REF	PART NO.	DESCRIPTION	REF	PART NO.	DESCRIPTION
1	530047198	Flywheel Ass'y. (Incl. 13)	28	530010775	Fuel Tank Ass'y. (Incl. 26, 27 & 38)	54	530039116	Switch Lead - See Service Ref. 1
2	530015126	Flywheel Key	29	★★★★★	Screw - See Service Ref. 4	55	530015151	Washer
3	530015036	Pulley Retaining Screw	30	530015247	Screw	56	530024091	Handguard
4	530015123	Washer	31	-	Handle Cover	57	530024049	Handguard Cap
5	530069288	Starter Pulley	32	530023774	T 1	58	530015509	Screw
6	530042023	Starter Spring	33	530024967	T 2, 3 & 4	59	530001648	Screw
7	530038312	Air Baffle - T 4	34	530069216	Fuel Line	60	530010991	Handlebar
8	530001726	Screw - T 4	35	530023373	Throttle Wire Boot	61	530015037	Screw
9	-	Carburetor Kit - See page 3 for type of carb.	36	530015239	Screw	62	530027847	Grip
10	530023791	Air Filter	37	-	Handle & Carb. Hsg	63	530069286	Fan Hsg. Screw Kit (Incl. 29 & 42 this page & 9, page 1)
11	530015242	Screw	38	530069848	T 1, 2 & 3	64	-	Guide Bar
12	530019045	Carburetor Gasket	39	530037774	T 4		952044365	10"
13	530023817	Starter Dog Spring	40	530023877	Fuel Line Fitting		952044366	12"
14	530015127	Flywheel Washer	41	530014362	Fuel Pick-Up Ass'y.		952044368	14"
15	5300626605	Nut	42	530037485	Starter Handle		952044370	16"
16	530015245	Screw	43	530069232	Rope Kit	65	-	Chain
17	530023865	Spacer	44	530069602	Fan Hsg. Kit - See Service Ref. 4		952051207	10"
18	530015254	Wave Washer	45	530015650	Screw		952051208	12"
19	530023805	Choke Shutter	46	530023807	Choke Knob		952051209	14"
20	530029826	Throttle Trigger	47	530023775	Carb. Cover		952051211	16"
21	530019236	Gasket	48	530038161	T 1, T 2 & T 3	67	952069394	Chain Brake Kit
22	530026606	Throttle Wire	49	530038161	T 4	68	530069401	Engine Gasket Kit (Incl. from p. 1: 11,12,15,16 & 44; from p. 2: 12, 21, 27 & 33)
23	-	Reed Valve	50	530015168	Screw	69	530016080	Rope Retain. Screw
	530023366	T 1, 2 & 3	51	530015147	Wave Washer	70	530026849	Handguard Decal
	530036331	T 4	52	530023806	Choke lever	71	530038571	Grommet - Mix-T 4
24	-	Washer	53	530015407	Screw	72	530038646	Grommet - Idle-T 4
	530023367	T 1, 2 & 3	54	507475326	Spark Plug Boot			
	530036332	T 4	55	507475326	Spark Plug Connector			
25	530016064	Screw	56	530069202	Ignition Module Kit			
26	530014347	Fuel Cap Ass'y.	57	530015816	Screw			
27	530019093	Seal						

✓ = NEW PART NUMBER FOR THIS IPL ★ = REFER TO THE SERVICE REFERENCE INDICATED FOR MORE INFORMATION. (LOCATED AT END OF IPL)
● = THESE PARTS ARE ILLUSTRATED FOR CLARITY. ORDER COMPLETE ASSEMBLY.

A. Carburetor Assembly

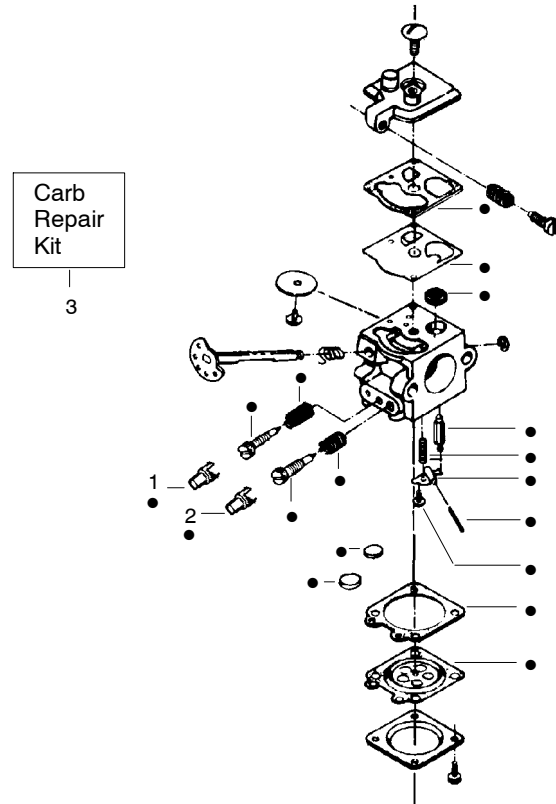
○Carburetor WT-3 (#530035158 - no longer available) was used on models prior to Date/Code Serial #A335001. Replace with #530035181. Order individual parts from below.
 ○Carburetor WT-20 (#530035181) was used on models Date/Serial #A335001 and after.

Key No.	Part No.	Description
1	530035006	Throttle Valve
2	530035015	Throttle Valve Screw
3	530035034	Throttle Shaft Ass'y.
4	530035171	Low Speed Mixture Needle
5	530035024	Throttle Return Spring
6	530035023	Low Speed Mixture Needle Spring
7	530035167	High Speed Mixture Needle Spring
8	530035169	High Speed Mixture Needle
9	530035162	○ Plug-5/16 Dia. Welch
11	530035017	Pump Cover Screw
12	530035159	Fuel Pump Cover
13	530035164	Fuel Pump Gasket
14	530035166	○+ Fuel Pump Diaphragm
15	530035027	○+ Fuel Inlet Screen
16	530035035	○ Idle Speed Adjusting Screw
17	530035168	Idle Speed Adjusting Screw Spring
18	530035007	Throttle Retainer Ring
19	530035106	Inlet Needle Valve
20	530035188	○ Metering Lever Spring
21	530035031	○ Metering Lever
22	530035028	○ Metering Lever Pin
23	530035016	○ Metering Lever Pin Screw
24	530035165	○ Metering Diaphragm Gasket
25	530035014	○+ Metering Diaphragm
26	530035003	○+ Metering Diaphragm Cover
27	530035021	Metering Cover Screw Ass'y.
28	530035161	Carb. Repair Kit (Includes parts marked○)
29	530069844	Carb. Gasket/Diaphragm (Includes parts marked+)



B. Carburetor Assembly #530069772 - WT-309

Key No.	Part No.	Description
1	530038318	Limiter Cap - High
2	530038317	Limiter Cap - Low
3	530069830	Carburetor Repair Kit (● Indicates Contents)



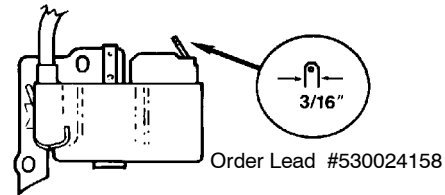
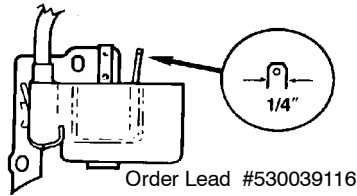
✓ = NEW PART NUMBER FOR THIS IPL * = REFER TO THE SERVICE REFERENCE INDICATED FOR MORE INFORMATION. (LOCATED AT END OF IPL)
 ● = THESE PARTS ARE ILLUSTRATED FOR CLARITY. ORDER COMPLETE ASSEMBLY.

PARTS LIST NO. 530083694		POULAN® PARTS LIST	CHAIN SAW MODEL(S) 1800, 1800 Super, Woodshark & 2000
DATE 12/03/96	REPLACES 530066069-9/15/95		Note: Illustration may differ from actual model due to design changes

★SERVICE REFERENCES

1. Lead-Switch

Determine whether the ignition module requires a lead with a 3/16" or a 1/4" flag terminal by measuring the width of the tab on the module. For a lead with a 1/4" flag terminal, order #530039116. For a lead with a 3/16" flag terminal, order #530024158.



2. Clutch Assembly Kit

Clutch Tool, #530031112 must be used to remove the current style clutch (Clutch Assembly Kit, #530069193) to avoid damage to the clutch. Do not use a punch or hammer or strike the clutch with any instrument. Clutch Tool, #530031085 should be used to remove the previous style clutch.



Use Clutch Tool
#530031112

Current Style Clutch
530069193

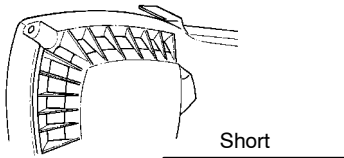


Use Clutch Tool
#530031085

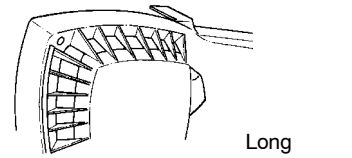
Previous Style Clutch

4. Fan Housing Screws

The front Fan Housing screws have been shortened from 1 3/8" to 7/8". Refer to the illustrations below to determine which style Fan Housing you have and order accordingly.



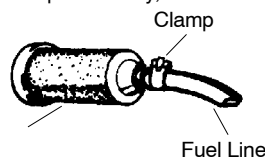
Front Screw 530015812



Front Screw 530015707

6. Fuel Pick-Up Assembly

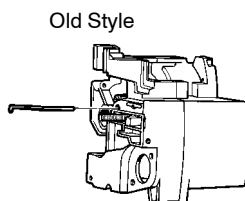
A large number of units were built with Fuel Pick-Up Assembly, #530014362 plus a small clamp. The clamp is not servicable. If the clamp requires replacement, use Tie Strap, #530024675. Install fuel line on pick-up assembly, then install tie strap. Pull tie strap until tight. When servicing a unit with Fuel Pick-Up Assembly, #530091878, the clamp is not required.



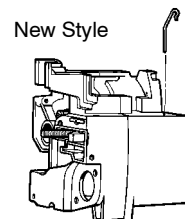
Fuel Pick-Up
Assembly
#530014362

7. Oil Tank Vent Pin

Units have been manufactured with one of two different locations for the oil tank vent. The vent wire is different depending on location. See illustration below for shape of vent wire and location.



1. 530023792 Oil Tank Vent Pin



2. 530036450 Oil Tank Vent Pin