



# REPAIR PARTS MANUAL

## MODEL NO. HD6A22HWD

### Lawn Mower

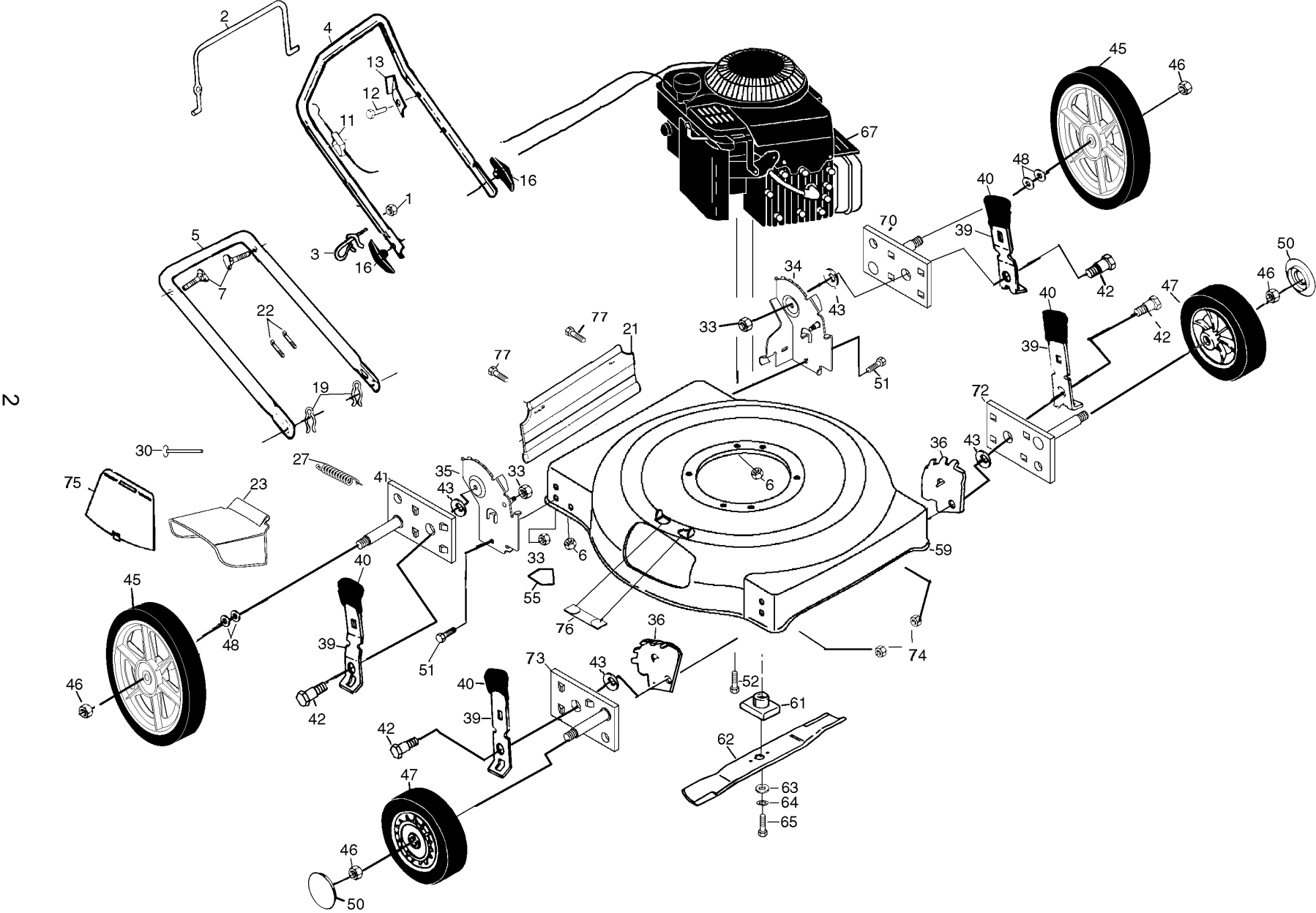
For Parts and Service, contact our authorized distributor: call 1-800-849-1297  
For Technical Assistance: call 1-800-829-5886

---

# Poulan

# REPAIR PARTS

## ROTARY LAWN MOWER - MODEL NUMBER HD6A22HWD



# REPAIR PARTS

## ROTARY LAWN MOWER - MODEL NUMBER HD6A22HWD

KEY NO.	PART NO.	DESCRIPTION
1	63601	Locknut 1/4-20
2	161748	Control Bar
3	132001	Rope Guide
4	165540X479	Upper Handle
5	<b>169708X479</b>	Lower Handle
6	63601	Locknut 1/4-20
7	131959	Handle Bolt 5/16-18
11	<b>158152</b>	Engine Zone Control Cable
12	750097	Hex Washer Head Screw #10-24 x 1/2
13	850733X004	Up-Stop Bracket
16	136376	Handle Knob
19	51793	Hairpin Cotter
21	165858	Rear Deflector
22	66426	Wire Tie
23	160831	Discharge Guard
27	160832	Torsion Spring
30	160833	Hinge Rod
33	63124	Locknut 5/16-18
34	<b>170373X479</b>	Wheel Bracket Support (Left)
35	<b>170374X479</b>	Wheel Bracket Support (Right)
36	160835X007	Wheel Bracket Adjuster
39	160826X004	Selector Spring
40	87877	Selector Knob
41	<b>166678X004</b>	Axle Arm Assembly (RR)
42	160828	Shoulder Bolt
43	19112222	Washer
44	164362	Shoulder Bolt

KEY NO.	PART NO.	DESCRIPTION
45	700735	Wheel Assembly (Rear)
46	83923	Locknut 1/16-18
47	146247	Wheel Assembly (Front)
48	57143	Washer
50	77400	Hubcap
51	74760514	Hex Head Bolt 5/16-18 x 3/4
52	150406	Hex Head Thread Rolling Screw 3/8-16 x 1
55	141846	Danger Decal
59	162685	Lawn Mower Housing (Incl. Key Nos. 55)
61	851514	Blade Adapter
62	141114	22" Blade
63	851074	Hardened Washer
64	850263	Helical Lockwasher 3/8
65	851084	Screw Hex Head 3/8-24 x 1-3/8 (Grd. 8)
67	-----	Engine - Briggs & Stratton Model No. 12J802 (Order parts from engine manufacturer)
70	<b>166679X004</b>	Axle Arm Assem. (LR)
72	167132X004	Axle Arm Assm. ((LF)
73	167133X004	Axle Arm Assm. (RF)
74	751153	Nut
75	160830	Plate. Mulcher
76	161622	Clip. Closeout
77	74760412	Screw
--	161058	Warning Decal (Not shown)
--	161116	Operator's Manual (English)
--	161659	Operator's Manual (Spanish)
--	<b>171720</b>	Replacement Parts Manual

Available accessories not included with mower:

-- GCK3300 Grass Catcher

**CONGRATULATIONS** on your purchase of a new lawn mower. Your lawn mower has been designed, engineered and manufactured to give you the best possible dependability and performance.

## LIMITED WARRANTY

The Manufacturer warrants to the original consumer purchaser that this product as manufactured is free from defects in materials and workmanship. For a period of two (2) years from date of purchase by the original consumer purchaser, we will repair or replace, at our option, without charge for parts or labor incurred in replacing parts, any part which we find to be defective due to materials or workmanship. This Warranty is subject to the following limitations and exclusions.

1. This warranty does not apply to the engine, other than FHP manufactured transaxle/transmission components, battery (except as noted below) or components parts thereof. Please refer to the applicable manufacturer's warranty on these items.
2. Transportation charges for the movement of any power equipment unit or attachment are the responsibility of the purchaser. Transportation charges for any parts submitted for replacement under this warranty must be paid by the purchaser unless such return is requested by Frigidaire Home Products.
3. Battery Warranty: On products equipped with a Battery, we will replace, without charge to you, any battery which we find to be defective in manufacture, during the first ninety (90) days of ownership. After ninety (90) days, we will exchange the Battery, charging you 1/12 of the price of a new Battery for each full month from the date of the original sale. Battery must be maintained in accordance with the instructions furnished.
4. The Warranty period for any products used for rental or commercial purposes is limited to 45 days from the date of original purchase.
5. This Warranty applies only to products which have been properly assembled, adjusted, operated, and maintained in accordance with the instructions furnished. This Warranty does not apply to any product which has been subjected to alteration, misuse, abuse, improper assembly or installation, delivery damage, or to normal wear of the product.
6. Exclusions: Excluded from this Warranty are belts, blades, blade adapters, normal wear, normal adjustments, standard hardware and normal maintenance.
7. In the event you have a claim under this Warranty, you must return the product to an authorized service dealer.

Should you have any unanswered questions concerning this Warranty, please contact:

Frigidaire Home Products  
Outdoor Products Customer Service Dept.  
250 Bobby Jones Expressway  
Augusta, GA 30909 USA

In Canada contact:  
Frigidaire Home Products  
7075 Ordan Drive  
Mississauga, Ontario  
L5T 1K6

giving the model number, serial number and date of purchase of your product and the name and address of the authorized dealer from whom it was purchased.

THIS WARRANTY DOES NOT APPLY TO INCIDENTAL OR CONSEQUENTIAL DAMAGES AND ANY IMPLIED WARRANTIES ARE LIMITED TO THE SAME TIME PERIODS STATED HEREIN FOR OUR EXPRESSED WARRANTIES. Some areas do not allow the limitation of consequential damages or limitations of how long an implied Warranty may last, so the above limitations or exclusions may not apply to you. This Warranty gives you specific legal rights, and you may have other rights which vary from locale to locale.

This is a limited Warranty within the meaning of that term as defined in the Magnuson-Moss Act of 1975.