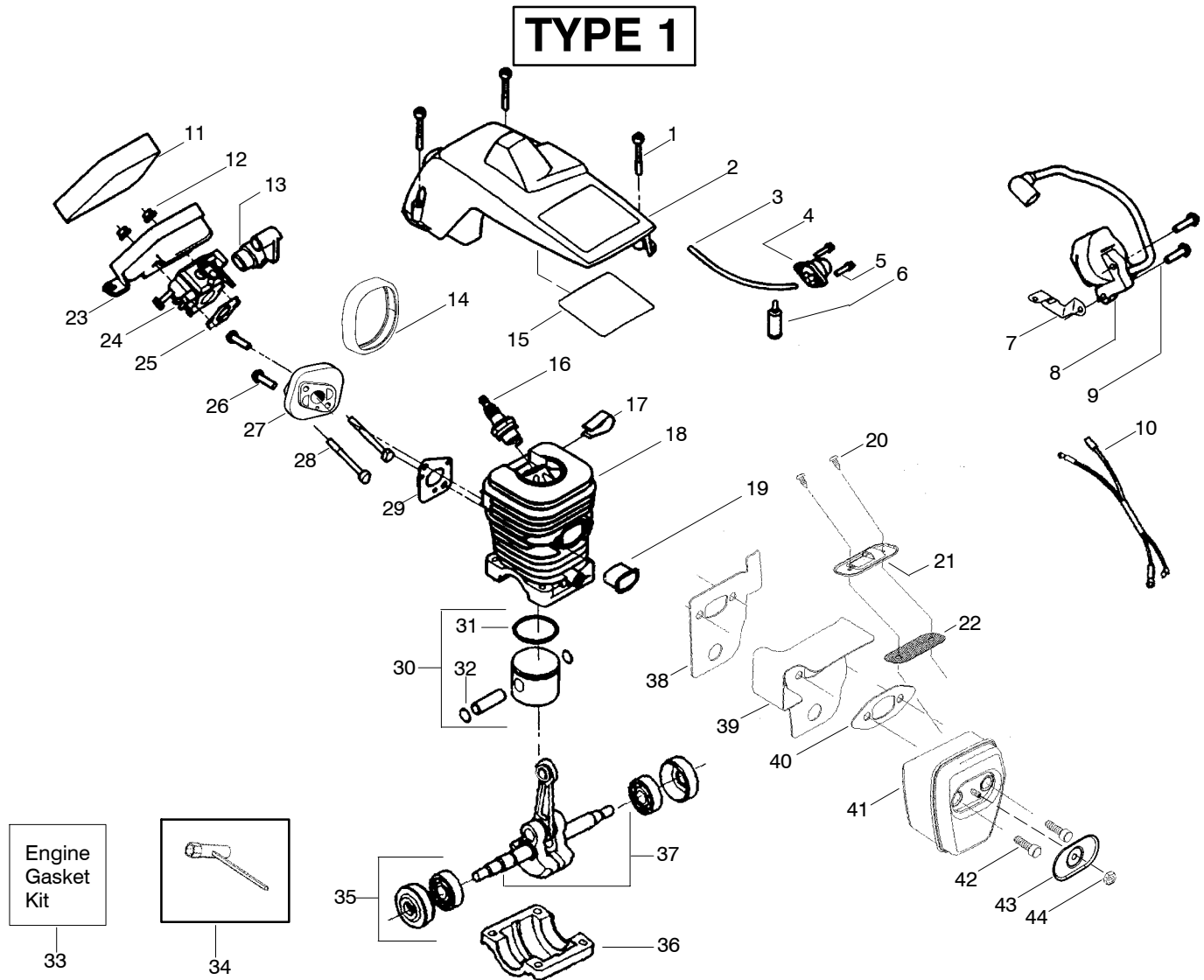






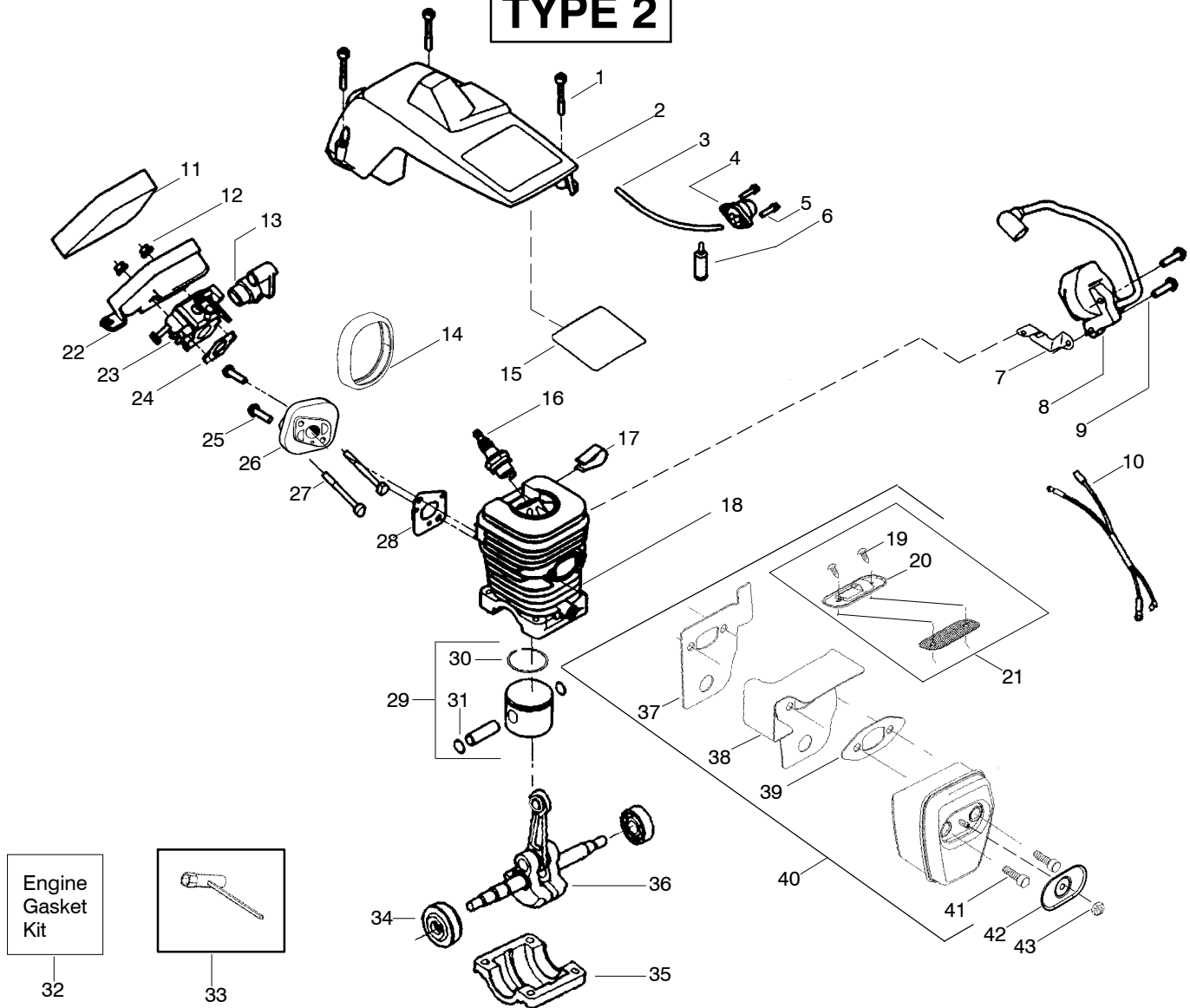
## TYPE 1



Ref.	Part No.	Description	Ref.	Part No.	Description	Ref.	Part No.	Description
1.	530016153	Screw	18.	530071412	Kit - Cylinder	33.	530069608	Kit - Engine Gasket (Incl. 25, 29 & 40)
2.	530055637	Assy - Cylinder Shield (includes # 15)	19.	530037652	Insulator - Heat	34.	530031163	Bar Wrench
3.	530069247	Kit - Fuel Line (Small)	20.	530016351	Screw - Outlet cover	35.	530056363	Assy - Seal & Bearing
4.	530047213	Assy - Air Purge	21.	530055759	Cover - Outlet	36.	530037935	Cap - Crankcase
5.	530015780	Screw	22.	530071413	Kit - Spark Arrestor (Incl. 20,21)	37.	530047062	Assy - Crankshaft
6.	530095646	Assy - Fuel Pick-up	23.	530037804	Air Filter Housing	38.	530054885	Backplate
7.	530047442	Strap - Ground	24.	---	Kit - Carburetor	39.	530054880	Guide - Outlet
8.	530039198	Ignition Module		530071410	(WT - 600)	40.	530069608	Gasket - Muffler
9.	530015814	Screw		530071622	(WT - 637)	41.	530054886	Assy - Muffler (Incl. 38 - 40,42)
10.	530052296	Assy - Wire Harness	25.	530069608	Gasket - Carb.	42.	530016338	Bolt - Muffler
11.	530037793	Foam - Air Filter	26.	530016386	Screw	43.	530055586	Cover - Bolt
12.	530016101	Nut	27.	530049700	Carb. Adapter	44.	530016359	Nut - Brass
13.	530035526	Grommet - Carb Adjust	28.	530016187	Screw			
14.	530054144	Seal - Carb Adapter	29.	530069608	Gasket - Carb Adaptor			
15.	530055698	Reflector - Heat	30.	530071408	Kit - Piston (Incl. 31 & 32)			
16.	952030150	Spark Plug (RCJ - 7Y)	31.	530038729	Ring - Piston			
17.	530016136	Clip - High Tension Lead	32.	530015697	Retainer - Piston Pin			

✓ = NEW PART NUMBER FOR THIS IPL      \* = REFER TO THE SERVICE REFERENCE INDICATED FOR MORE INFORMATION. (LOCATED AT END OF IPL)  
 ● = THESE PARTS ARE ILLUSTRATED FOR CLARITY. ORDER COMPLETE ASSEMBLY.

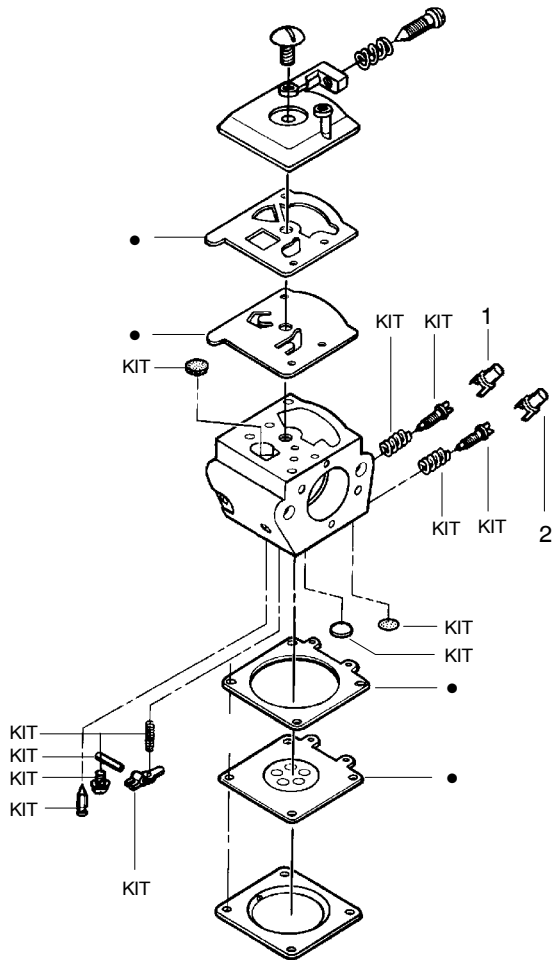
## TYPE 2



Ref.	Part No.	Description	Ref.	Part No.	Description	Ref.	Part No.	Description
1.	530016153	Screw	18.	530012550	Cylinder	32.	530069608	Kit – Engine Gasket (Incl. 24, 28 & 39)
2.	530055637	Assy – Cylinder Shield (includes # 15)	19.	530016351	Screw – Outlet cover	33.	530031163	Bar Wrench
3.	530069247	Kit – Fuel Line (Small)	20.	530055759	Cover – Outlet	34.	530056363	Assy – Seal & Bearing
4.	530047213	Assy – Air Purge	21.	530071413	Kit – Spark Arrestor (Incl. 19,20)	35.	530037935	Cap – Crankcase
5.	530015780	Screw	22.	530057480	Air Filter Housing	36.	530047062	Assy – Crankshaft
6.	530095646	Assy – Fuel Pick-up	23.	---	Kit – Carburetor	37.	530054885	Backplate
7.	530047442	Strap – Ground	24.	530069608	Walbro – WT – 89 (Incl. Grommet)	38.	530054880	Guide – Outlet
8.	530039198	Ignition Module	25.	530016386	Gasket – Carb. (kit)	39.	530069608	Gasket – Muffler (kit)
9.	530015814	Screw	26.	530049700	Screw	40.	530054886	Assy – Muffler (Incl. 37 – 39,41)
10.	530052296	Assy – Wire Harness	27.	530016187	Carb. Adapter	41.	530016338	Bolt – Muffler
11.	530037793	Foam – Air Filter	28.	530069608	Nut	42.	530055586	Cover – Bolt
12.	530016101	Nut	29.	530071408	Screw	43.	530016359	Nut – Brass
13.	530035526	Grommet – Carb Adjust	30.	530069608	Gasket – Adaptor (kit)			
14.	530054144	Seal – Carb Adapter	31.	530071408	Kit – Piston (Incl. 30 & 31)			
15.	530055698	Reflector – Heat	32.	530038729	Ring – Piston			
16.	952030150	Spark Plug (RCJ – 7Y)	33.	530015697	Retainer – Piston Pin			
17.	530016136	Clip – High Tension Lead						

✓ = NEW PART NUMBER FOR THIS IPL      ★ = REFER TO THE SERVICE REFERENCE INDICATED FOR MORE INFORMATION. (LOCATED AT END OF IPL)  
 ● = THESE PARTS ARE ILLUSTRATED FOR CLARITY. ORDER COMPLETE ASSEMBLY.

### Carburetor Assembly – WT600 – #530071410



Carb.  
Repair  
Kit

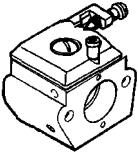
Gasket/  
Dia.  
Kit

3

4

Ref.	Part No.	Description
1.	530038479	Limiter Cap – High
2.	530038478	Limiter Cap – Low
3.	530069826	Carburetor Repair Kit (KIT = Indicates Contents)
4.	530069844	Gasket Diaphragm Kit (● Indicates Contents)

**Kit - Carburetor Assembly No. 530071622 - WT-637**  
**Kit - Carburetor Assembly No. 530071820 - W-20**  
**Kit - Carburetor Assembly No. 530071821 - WT-662**



Note: No Repair kits are available for this carburetor

✓ = NEW PART NUMBER FOR THIS IPL      \* = REFER TO THE SERVICE REFERENCE INDICATED FOR MORE INFORMATION. (LOCATED AT END OF IPL)  
 ● = THESE PARTS ARE ILLUSTRATED FOR CLARITY. ORDER COMPLETE ASSEMBLY.