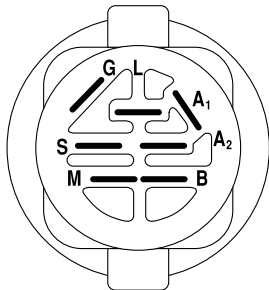
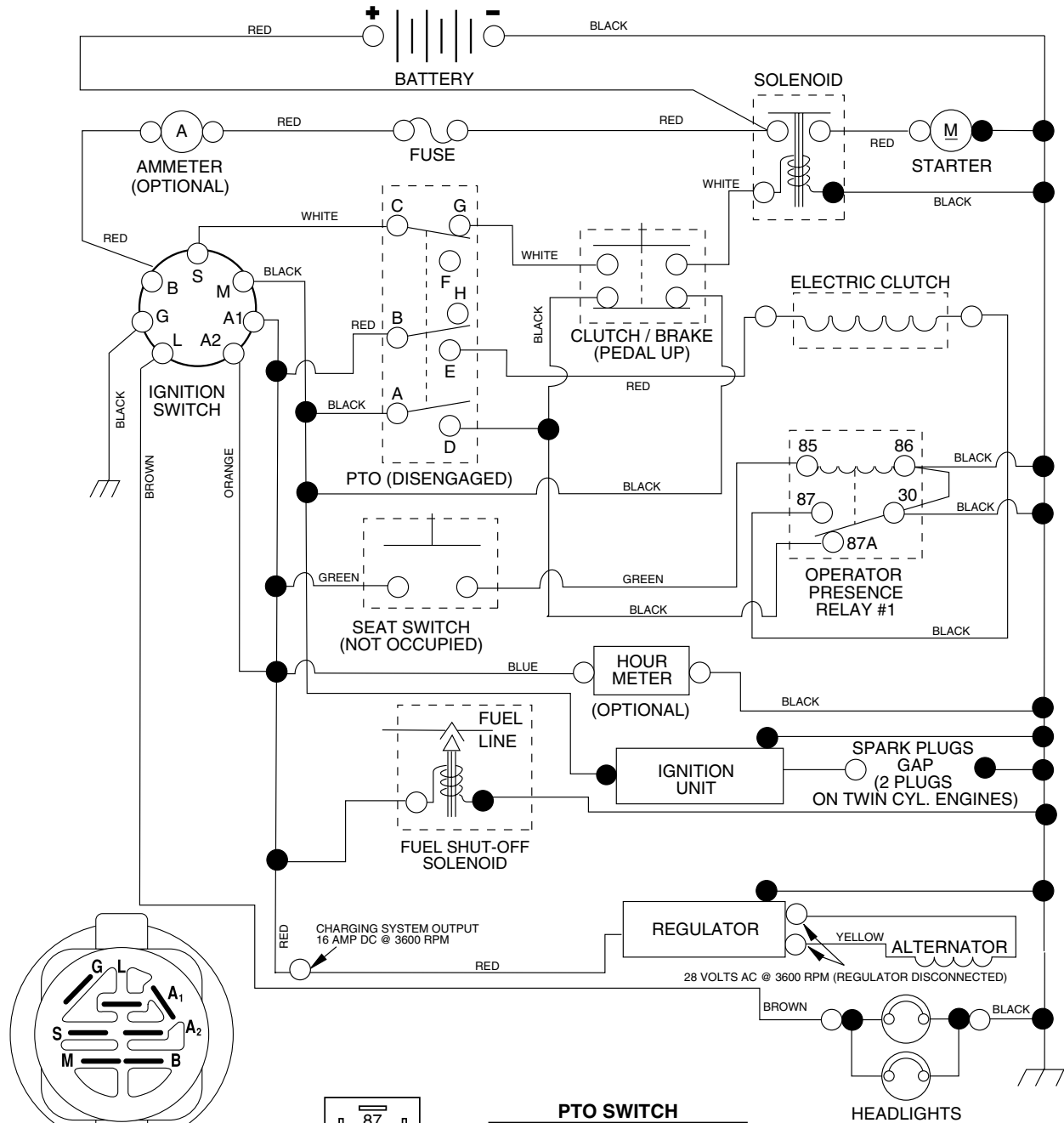
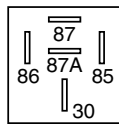


TRACTOR - MODEL NUMBER PDGT26H48B, PRODUCT NUMBER 954 56 95-30 SCHEMATIC



IGNITION SWITCH

POSITION	CIRCUIT	"MAKE"
OFF	M + G + A1	NONE
ON + LIGHTS	B + A1	L + A2
ON	B + A1	NONE
START	B + S + A1	NONE



RELAY

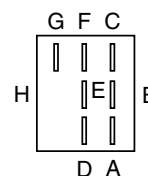
PTO SWITCH	
POSITION	CIRCUIT
OFF	C + G, B + H
ON	C + F, B + E, A + D



REMOVABLE CONNECTIONS



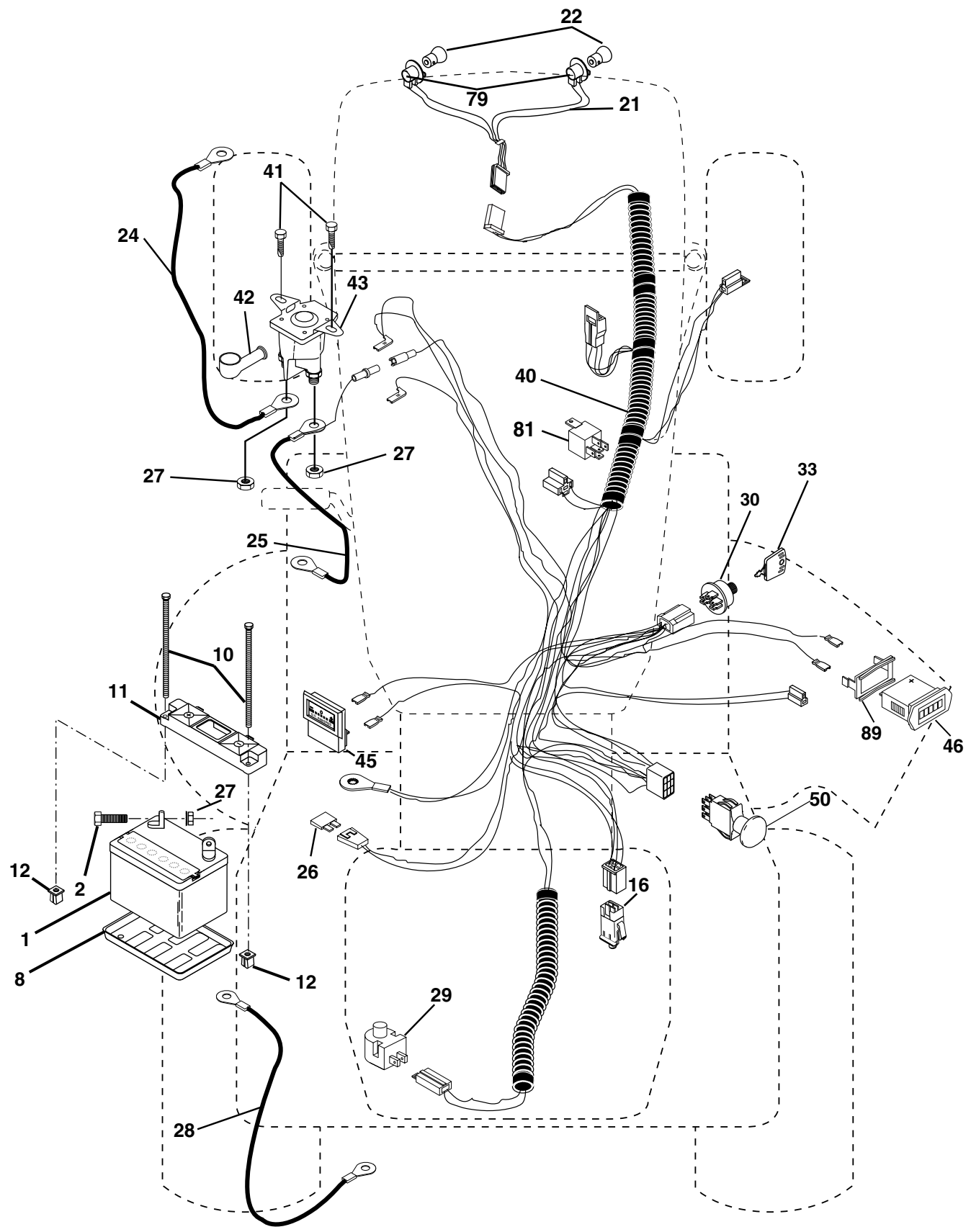
NON-REMOVABLE CONNECTIONS



WIRING INSULATED CLIPS
NOTE: IF WIRING INSULATED CLIPS WERE REMOVED FOR SERVICING OF UNIT, THEY SHOULD BE REPLACED TO PROPERLY SECURE YOUR WIRING.

REPAIR PARTS

TRACTOR - MODEL NUMBER PDGT26H48B, PRODUCT NUMBER 954 56 95-30
ELECTRICAL



REPAIR PARTS

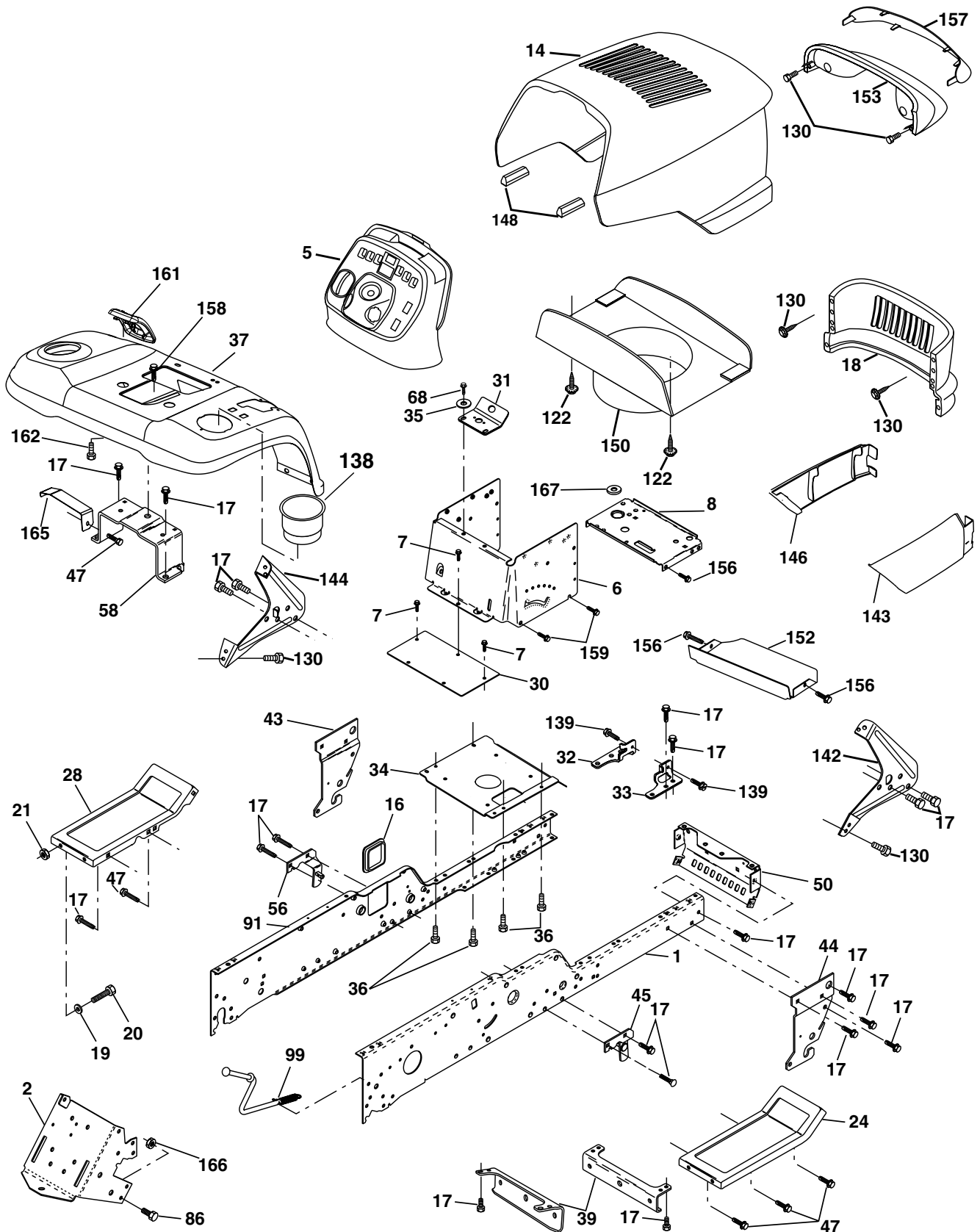
TRACTOR - MODEL NUMBER PDGT26H48B, PRODUCT NUMBER 954 56 95-30
ELECTRICAL

KEY NO.	PART NO.	DESCRIPTION
1	144927	Battery
2	74760412	Bolt Hex Head 1/4-20 x 3/4
8	7603J	Tray, Battery
10	145211	Bolt Btr Frt 1/4-20 x 7.5 zinc
11	150109	Holdown Battery Front Mount
12	145769	Nut Push Nylon 1/4"
16	176138	Switch Interlock Push-In
21	175688	Harness Headlight w/Bulbs
22	4152J	Bulb Light
24	185464	Cable, Battery
25	146149	Cable, Battery
26	108824X	Fuse
27	73510400	Nut Keps Hex 1/4-20 Unc
28	170697	Cable, Ground
29	160784	Switch, Plunger
30	175566	Switch, Ign
33	140401	Key
40	170238	Harness, Ignition
41	17720408	Screw 1/4-20 x 1/2
42	131563	Cover, Terminal Red
43	178861	Solenoid
45	122822X	Ammeter
46	169635	Hourmeter Snap-In
50	174653	Switch, PTO
79	175242	Socket, Light Bulb
81	109748X	Relay Asm.
89	169639	Bracket Snap-In

NOTE: All component dimensions given in U.S.
inches 1 inch = 25.4 mm

REPAIR PARTS

TRACTOR - MODEL NUMBER PDGT26H48B, PRODUCT NUMBER 954 56 95-30
CHASSIS AND ENCLOSURES



chassis-stealth_37-vgt.

REPAIR PARTS

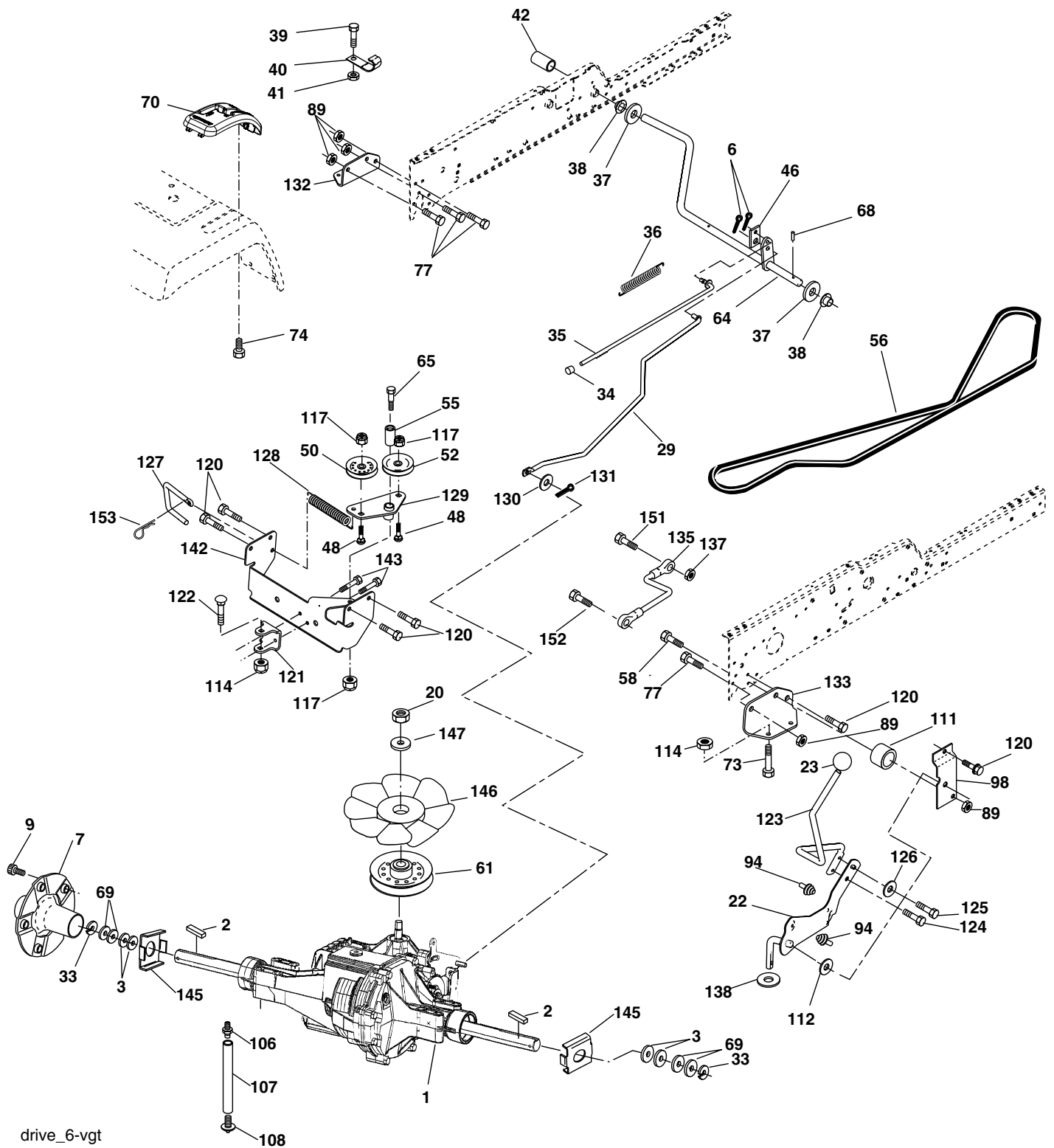
TRACTOR - MODEL NUMBER PDGT26H48B, PRODUCT NUMBER 954 56 95-30 CHASSIS AND ENCLOSURES

KEY NO.	PART NO.	DESCRIPTION	KEY NO.	PART NO.	DESCRIPTION
1	180375	Rail, Frame RH	68	17490508	Screw, Thd 5/16-18 x 1/2
2	175282	Drawbar, Gt	86	74780716	Bolt, Fin Hex 7/16-14 Unc x 1
5	163976X428	Dash	91	180374	Rail, Frame Lh
6	157882	Dash Asm., Lower	99	177143	Rod By Pass
7	17720408	Screw, Thd Cut 1/4-20 x 1/2	122	161464	Screw Hex Wshd 8-18 x 7/8
8	184668	Support, Battery	130	171875	Screw HWHD Hi-Lo #13-16 x 3/4
14	175260X428	Hood Asm., Pnt	138	179125X428	Cupholder YTGT
16	121794X	Cover, Access	139	171873	Bolt Shoulder 5/16-18 TT
17	17060612	Screw, 3/8-16 x 3/4	140	163806	Magnet YTGT
18	175289X428	Grille	141	163805	Stricker Plate YTGT
19	19131312	Washer 13/32 x 13/16 x 12 Ga.	142	161897	Bracket Dash RH
20	74780616	Bolt, Fin Hex 3/8-16 x 1	143	169847X428	Skirt Grill RH
21	73800600	Nut, Lock Hex w/Ins. 3/8-16 Unc	144	161900	Bracket Dash LH
24	179717X428	Footrest, RH	146	169848X428	Skirt Grill LH
28	179716X428	Footrest, LH	148	164655	Extrusion Bumper
30	145052	Saddle, Hydro 1995	150	175352	Duct Heat Hood
31	161419	Bracket, Supt 1-pc VGT Steering	152	177956	Shield Browning
32	161327	Bracket, Pivot Chassis LH	153	179761	Light Box Asm. w/Lens
33	161326	Bracket, Pivot Chassis RH	156	17000512	Screw 5/16-18 x 3/4
34	177018	Plate Asm. Engine Chassis	157	161840	Lens, Bar
35	19111116	Washer 11/32 x 11/16 x 16 Ga.	158	17670608	Screw Thdrol 3/8-16 x 1/2
36	17060512	Screw 5/16-18 x 3/4	159	17000612	Screw 3/8-16 x 3/4
37	178510X428	Fender, Pnt.	161	179612X428	Console Fuel Window
39	175278	Bracket, Axle Front	162	142432	Screw 1/4-1/2
43	136939	Bracket, Spnsn Front Lh	165	183554	Bracket Support Tank
44	136940	Bracket, Spnsn Front Rh	166	73680700	Nut, Crownlock 7/16-14Unc
45	176018	Bracket Asm., Susp Chassis Rh	167	184672	Bushing
47	17490608	Screw Thdrol 3/8-16 x 1/2 TYT			
50	175476	Bracket, Chassis Front			
56	176016	Bracket Asm., Susp Chassis Lh			
58	183569	Bracket Asm., Fender			

NOTE: All component dimensions given in U.S. inches
1 inch = 25.4 mm

REPAIR PARTS

TRACTOR - MODEL NUMBER PDGT26H48B, PRODUCT NUMBER 954 56 95-30
GROUND DRIVE



drive_6-vgt

REPAIR PARTS

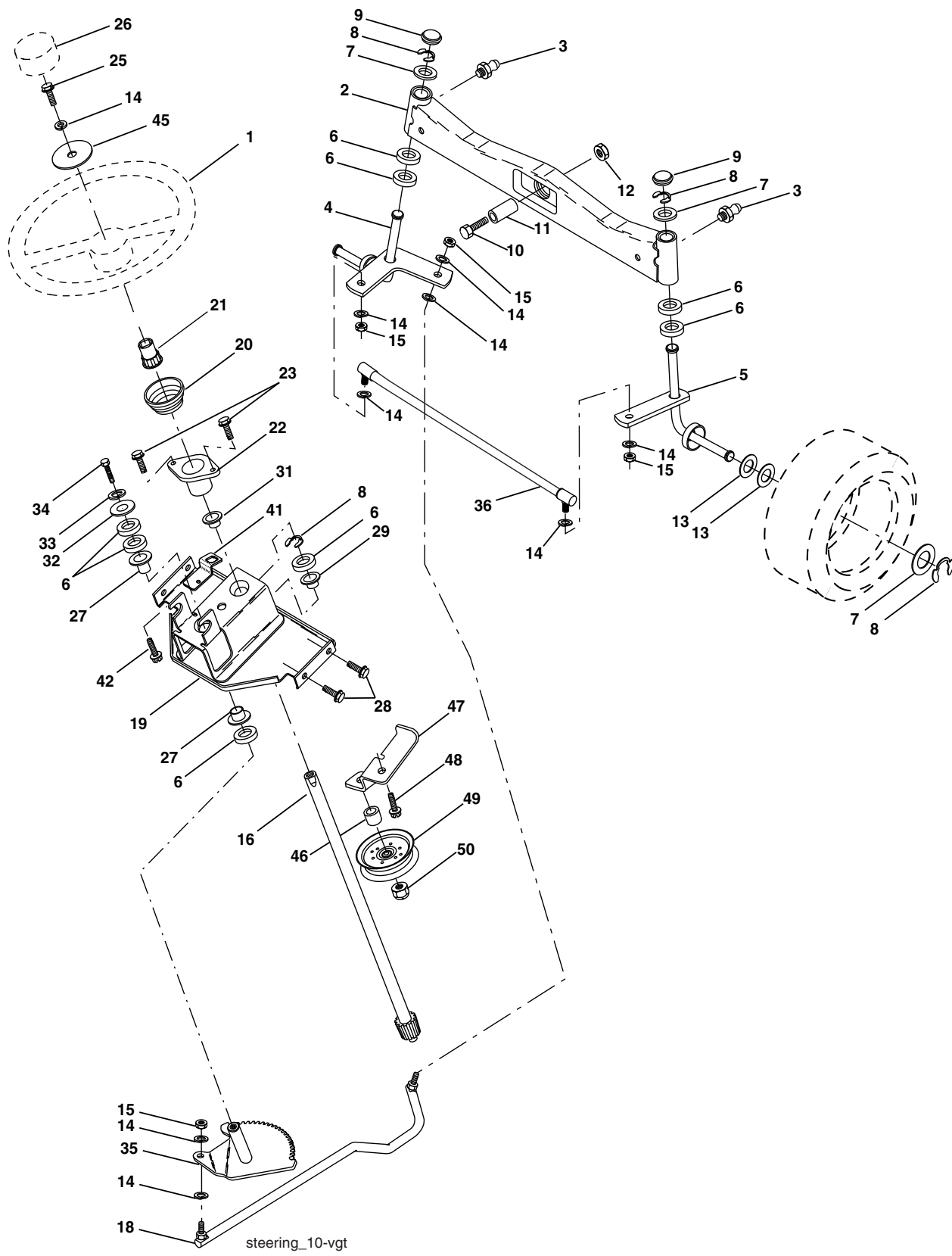
TRACTOR - MODEL NUMBER PDGT26H48B, PRODUCT NUMBER 954 56 95-30 GROUND DRIVE

KEY NO.	PART NO.	DESCRIPTION	KEY NO.	PART NO.	DESCRIPTION
1	-----	Transaxle Hydro Gear 331-3000 (Order Parts From Trans- axle Manufacturer)	77	74780716	Bolt Fin Hex 7/16-14 x 1
2	7070E	Key Sq. 1/4 x 2.5	89	73680700	Nut Crownlock 7/16-14 Unc
3	7563R	Washer Thrust	94	133835	Fastener Christmas Tree
6	76020412	Pin, Cotter	98	141004	Bracket Shift
7	140507	Wheel, Hub Assembly	106	142917	Cap Asm Vent Hydro Gear
9	140080	Bolt, Hub	107	154739	Line Fuel Hydro 15" VGT
20	73940800	Nut	108	142918	O-Ring Asm Hydro Gear
22	180235	Lever Asm Shift	111	156240	Spacer Shift Lever VGTH
23	140845	Knob	112	178558	Washer Nylon High Temp
29	176600	Brake, Rod	114	73800500	Nut Lock Hex W/Ins 5/16-18 Unc
33	12000053	Ring E	117	73900600	Nut, Lock Flg. 3/8-16
34	71673	Cap, Parking Brake	120	17060612	Screw 3/8-16 x .75
35	137648	Rod, Parking Brake	121	175611	Bracket Strap Torque
36	149412	Spring, Drive Ground	122	72010520	Bolt 5/16-18 x 2.50
37	121749X	Washer 25/32 x 1-1/4 x 16 Ga.	123	183254	Rod Shift
38	150035	Nyliner	124	165492	Bolt Shoulder 5/16-18 x .561
39	74321016	Screw, Fin. #10-24 x 1	125	166880	Screw 5/16-18 x 5/8
40	178575	Actuator, Interlock Switch	126	166002	Washer Srrtd 5/16 ID x 1.0 x .125
41	73931000	Nut Centerlock 10-24 Unc	127	177362	Link Control Clutch
42	123533X	Cover, Pedal	128	176624	Spring Drive GRND
46	145170	Retainer, Spring	129	179473	Bracket Asm Idler Tensioning
48	72110614	Bolt Carr. Shoulder 3/8-16 x 1-3/4 Gr. 5	130	19131016	Washer 13/32 x 5/8 x 16 Ga.
50	131494	Pulley, Idler, Flat	131	76020312	Pin Cotter 3/32 x 3/4
52	127783	Pulley, Idler, Grooved	132	175467	Bracket Mtg Hydro 3500 LH VGT
55	105706X	Bearing, Idler	133	175468	Bracket Mtg Hydro 3500 RH VGT
56	161597	V-Belt	135	177364	Link Asm Control Hydro 3500
58	74760724	Bolt Fin Hex 7/16-14 x 1-1/2	137	1685H	Nut Lock 5/16-18 NC Thd.
61	143995	Pulley, Transaxle	138	1370H	Washer Thrust 5/8 x 1.10 x 1/32
64	176601	Shaft, Brake Pedal	142	175469	Strap Torque HG-3500
65	179613	Bolt, Shoulder	143	17060512	Screw 5/16-18 x 3/4
68	5142H	Pin, Roll	145	163168	Washer Axle Flange HG-3000
69	123800X	Washer	146	140462	Fan 7" Hydro
70	179121X428	Console Shift	147	141322	Washer
73	74490548	Bolt Hex Flghd 5/16-18 x 3 Gr5	151	74760514	Bolt Fin Hex 5/16-18 x 7/8
74	142432	Screw Hex Wsh. Hi-Lo 1/4-1/2	152	178705	Bolt Hex 5/16-18 x 1
			153	4497H	Spring Retainer

NOTE: All component dimensions given in U.S. inches
1 inch = 25.4 mm

REPAIR PARTS

TRACTOR - MODEL NUMBER PDGT26H48B, PRODUCT NUMBER 954 56 95-30
STEERING ASSEMBLY



REPAIR PARTS

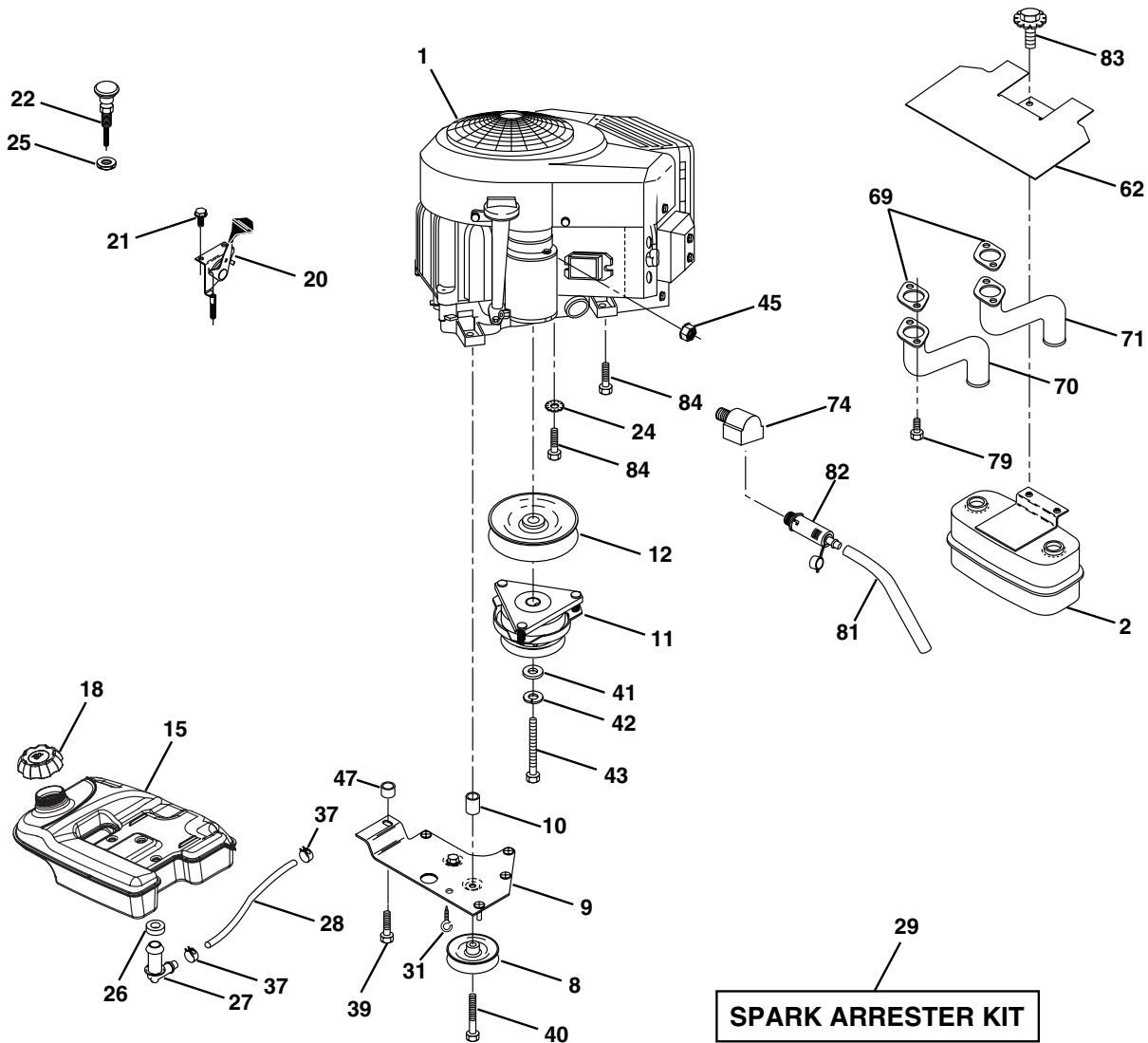
TRACTOR - MODEL NUMBER PDGT26H48B, PRODUCT NUMBER 954 56 95-30 STEERING ASSEMBLY

KEY NO.	PART NO.	DESCRIPTION
1	180656	Wheel, Steering
2	178557	Axle Asm., Front
3	6855M	Fitting, Grease
4	161849	Spindle Asm, LH
5	161848	Spindle Asm., RH
6	6266H	Bearing, Race Thrust Harden
7	121748X	Washer 25/32 x 1-5/8 x 16 Ga.
8	12000029	Ring, Klip #T5304-75
9	121232X	Cap, Spindle
10	74781044	Bolt, Fin Hex 5/8-11 x 2-3/4
11	136518	Spacer, Brg. Axle Front
12	73901000	Nut, Lock Flange 5/8-11 Unc
13	121749X	Washer 25/32 x 1-1/4 x 16 Ga.
14	10040600	Washer, Lock Hvy Hlcl Spr 3/8
15	7810H	Nut Lock Center 3/8-24 Unf
16	145103	Shaft Asm., Steering
18	175572	Draglink, Ball Joint Solid Vgt
19	156011	Support Asm., Steering Vgt
20	163887X428	Boot Steering Stealth
21	159945	Adapter, Wheel Steering
22	155105	Bushing, Strg.
23	152927	Screw
25	74780616	Bolt, Fin Hex 3/8-16 x 1 Gr. 5
26	180657	Insert Cap Strg WH
27	3366R	Bearing, Col. Strg.
28	17000612	Screw Hexwsh thdr 3/8-16 x 3/4
29	104239X	Bearing, Flange
31	138136	Bushing, Nyliner Snap
32	19111610	Washer 11/32 x 1 x 10 Ga.
33	10040500	Washer, Lock Hvy Hlcl Spr 5/16
34	74780512	Bolt, Hex Hd 5/16-18 x 3/4
35	138059	Gear, Sector Steering
36	186799	Tie Rod
41	155246	Bracket Switch Interlock Vgt 97
42	17490508	Screw Thdrol 5/16-18 x 1/2 Tyt
45	19132411	Washer 13/32 x 1-1/2 x 11 Ga.
46	19131610	Washer 13/32 x 1 x 10 Ga.
47	179471	Bracket Asm. Idler Stationary
48	17060612	Screw 3/8-16 x .75
49	175820	Pulley Idler Flat
50	73900600	Nut Lock Flg. 3/8-16 Unc

NOTE: All component dimensions given in U.S. inches
1 inch = 25.4 mm

REPAIR PARTS

TRACTOR - MODEL NUMBER PDGT26H48B, PRODUCT NUMBER 954 56 95-30
ENGINE



engine-intek-ELS_10-vgt

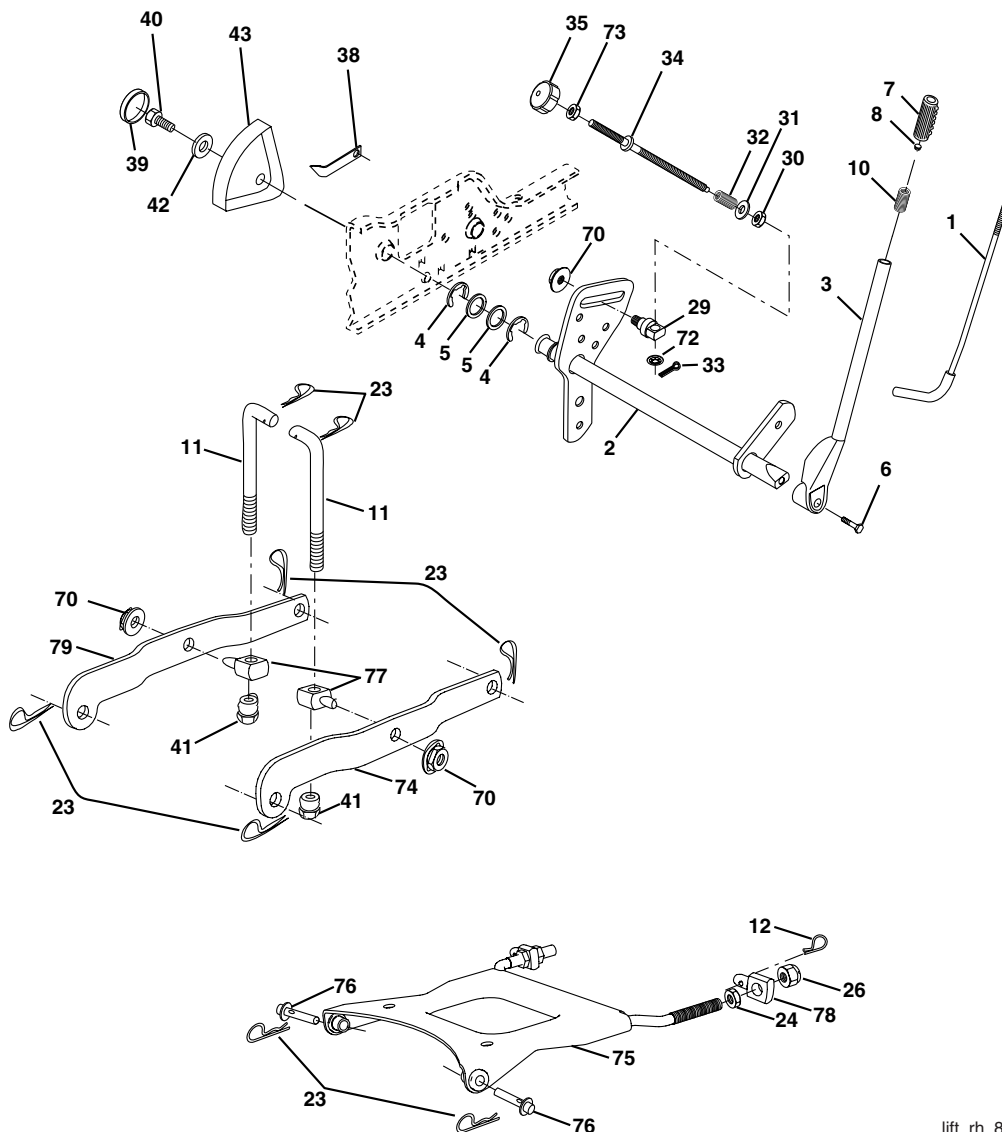
KEY NO.	PART NO.	DESCRIPTION
1	-----	Engine Briggs, Model No. 446777 (Order parts from engine manuf.)
2	149723	Muffler Side
8	121361X	Pulley V-Idler
9	177748	Keeper Asm. Belt Engine VGT
10	175287	Bushing
11	179335	Clutch Electric
12	143996	Pulley Engine VGT Elect Clutch
15	179115	Tank Fuel Rear 5.0
18	179124X428	Cap Asm. Fuel
20	175437X428	Control Throttle
21	171875	Screw HwHd Hi-Lo #13-16 x 3/4
22	175440X428	Control Choke
24	11050600	Washer Ext Tooth 3/8
25	73920600	Nut Keps 3/8-24 Unf
26	3645J	Bushing
27	139277	Stem Tank Fuel
28	7834R	Fuel Line
29	137180	Spark Arrester Kit
31	145006	Clip

KEY NO.	PART NO.	DESCRIPTION
37	123487X	Clamp Hose
39	17490636	Screw TT 3/8-16 x 2-1/4 Unc
40	17490664	Screw TT 3/8-16 x 4 Unc
41	126197X	Washer 1-1/2 OD x 15/32 ID x .250
42	10040700	Washer Lock 7/16
43	179953	Bolt Hex 7/16-20 x 3.75 Gr. 5
45	73510400	Nut Keps Hex 1/4-20
47	175288	Spacer
62	146629	Shield Heat Muffler CV-Intek
69	165391	Gasket
70	176069	Tube Exhaust LH
71	176070	Tube Exhaust RH
74	162295	Elbow Street Brass
79	183906	Screw Socket Head 5/16-18 x 1
81	148456	Tube Drain Oil Easy
82	181654	Plug Oil Drain Easy
83	171877	Bolt 5/16-18 Unc x 1-3/4 W/Sems
84	17060624	Screw Thdrol 3/8-16 x 1-1/2

NOTE: All component dimensions given in U.S. inches
1 inch = 25.4 mm

REPAIR PARTS

TRACTOR - MODEL NUMBER PDGT26H48B, PRODUCT NUMBER 954 56 95-30
LIFT ASSEMBLY



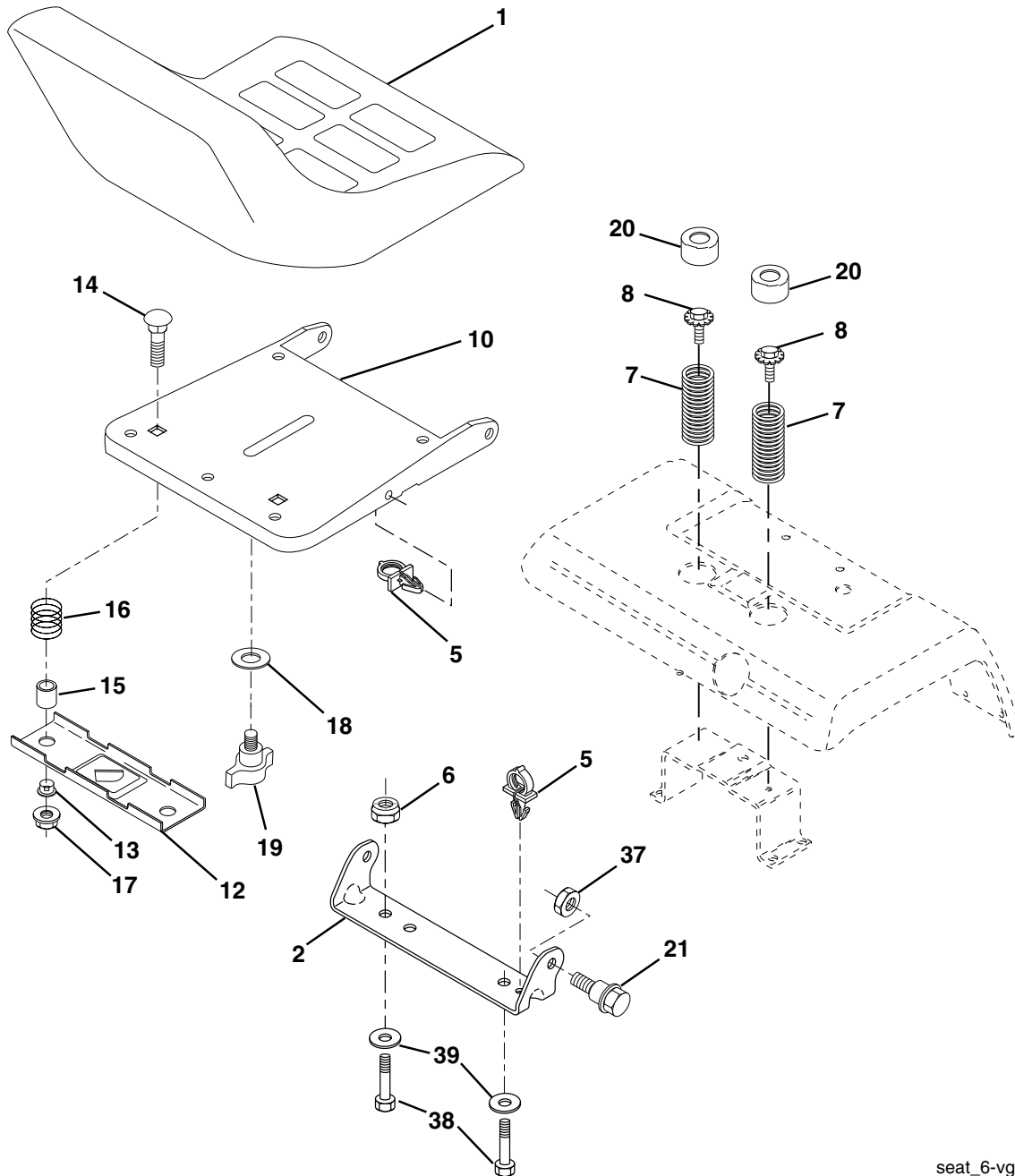
lift_rh_8

KEY NO.	PART NO.	DESCRIPTION	KEY NO.	PART NO.	DESCRIPTION
1	121006X	Rod Asm., Lever	34	137167	Rod, Adj Lift
2	180045	Shaft Asm., Lift Vgt	35	138057	Knob, Inf 3/8-16 Unc
3	159189	Lever Asm., Lift Rh	38	155097	Pointer, Height Indicator
4	12000022	E-Ring Truarc #5133-87	39	123935X	Plug, Hole
5	19292016	Washer 29/32 x 1-1/4 x 16 Ga.	40	17060516	Screw 5/16-18 x 3/4
6	71110624	Bolt, Fin Hex 3/8-16 x 1-1/2	41	175994	Nut, Lift Link 7/16-20
7	175830	Grip, Handle	42	19112410	Washer 11/32 x 1-1/2 x 10 Ga.
8	175831X421	Button, Plunger	43	123934X	Scale, Indicator Height
10	183894	Spring 0.62 OD x 2.125	70	145212	Nut, Hexflange Lock
11	175375	Link Lift	72	110452X	Nut, Push Phos & Oil
12	163552	Retainer, Spring	73	73350600	Nut Hex Jam 3/8-16 Unc
23	4939M	Retainer, Spring	74	175802	Arm Susp. Rear RH
24	73350800	Nut, Jam Hex 1/2-13 Unc	75	175805	Plate Asm Susp. Front
26	73680800	Nut, Crownlock 1/2-13 Unc	76	175560	Pin Flange
29	150233	Trunnion Inf. Height	77	176205	Trunnion Susp. Arm
30	110807X	Nut, Special	78	175689	Trunnion Susp. Front
31	19131016	Washer 13/32 x 5/8 x 16 Ga.	79	175378	Arm Susp. Rear LH
32	137150	Spring, Compression Inf Hgt			
33	76020308	Pin, Cotter 3/32 x 1/2			

NOTE: All component dimensions given in U.S. inches
1 inch = 25.4 mm

REPAIR PARTS

TRACTOR - MODEL NUMBER PDGT26H48B, PRODUCT NUMBER 954 56 95-30 SEAT ASSEMBLY



seat_6-vgt

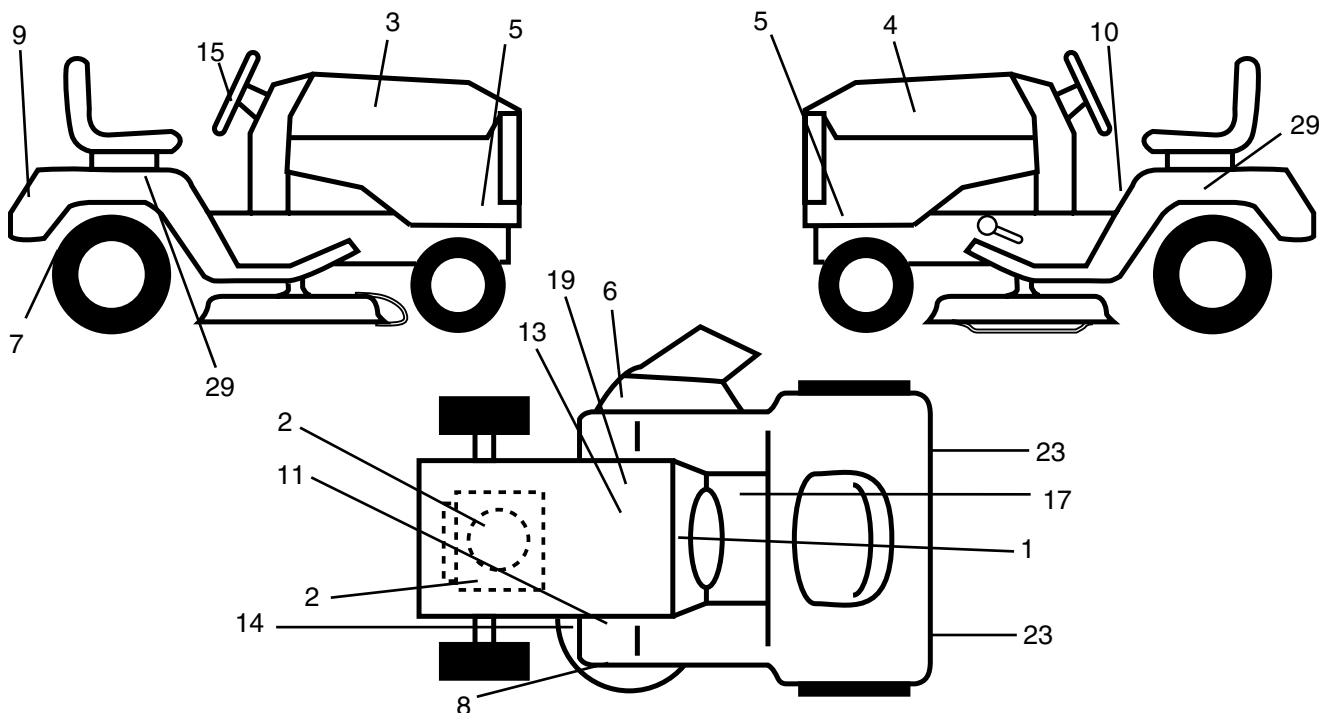
KEY NO.	PART NO.	DESCRIPTION
1	171684	Seat
2	140551	Bracket, Pivot Seat
4	127018X	Bolt, Shoulder 5/16-18 x .62
5	145006	Clip, Push-In Hinged
6	73800600	Nut, Crownlock 3/8-16
7	124181X	Spring, Seat Cprsn.
8	171877	Bolt 5/16-18 UNC x 3/4 w/Sems
10	182493	Pan, Seat
12	121246X	Bracket, Mounting Switch
13	121248X	Bushing, Snap
14	72050412	Bolt, Carriage 1/4-20 x 1-1/2
15	121249X	Spacer, Split

KEY NO.	PART NO.	DESCRIPTION
16	123740X	Spring, Cprsn.
17	123976X	Nut, Lock 1/4 Lg. Flg. Gr. 5
18	19171912	Washer 17/32 x 1-3/16 x 12 Ga.
19	166369	Knob, Seat
20	124238X	Cap, Spring Seat Blk
21	171852	Bolt 5/16-18 Unc-2A
37	73800500	Nut, Crownlock 5/16-18
38	19131610	Washer Flat 13/32 x 1 x 10 Ga.
39	71110616	Bolt 3/8-16 x 1

NOTE: All component dimensions given in U.S. inches
1 inch = 25.4 mm

REPAIR PARTS

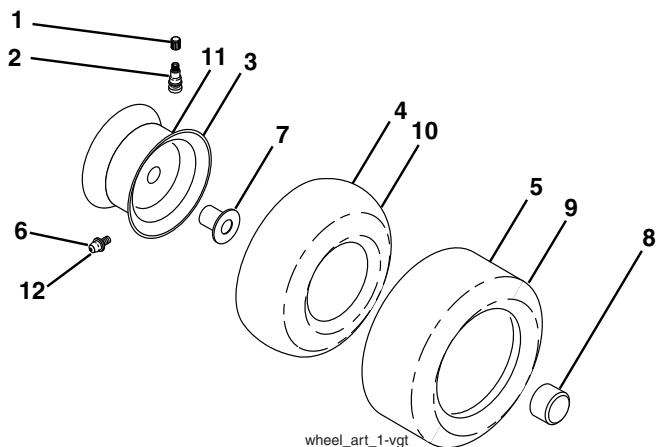
TRACTOR - MODEL NUMBER PDGT26H48B, PRODUCT NUMBER 954 56 95-30
DECALS



KEY NO.	PART NO.	DESCRIPTION
1	164097	Decal, Dash
2	184858	Decal, Engine
3	176272	Decal, Hood, RH
4	176273	Decal, Hood, LH
5	185539	Decal, Hood Sides
6	170563	Decal, Warning
7	166960	Decal, Bypass
8	178502	Decal, Deck Caution
9	172740	Decal
10	157140	Decal, Danger
11	181253	Ft. Rest

KEY NO.	PART NO.	DESCRIPTION
13	185443	Decal, Battery
14	175291	Decal, V-Belt Schematic
15	172743	Decal, Ins. Whl. Strg.
17	140837	Decal, Saddle Brake Parking
19	145005	Decal, Battery
23	106202X	Reflector, Taillight
29	176651	Decal, Fender Auto Trans
--	179769X428	Pad Footrest RH
--	179768X428	Pad Footrest LH
--	186714	Manual, Owner's (English)
--	186715	Manual, Owner's (French)

WHEELS & TIRES

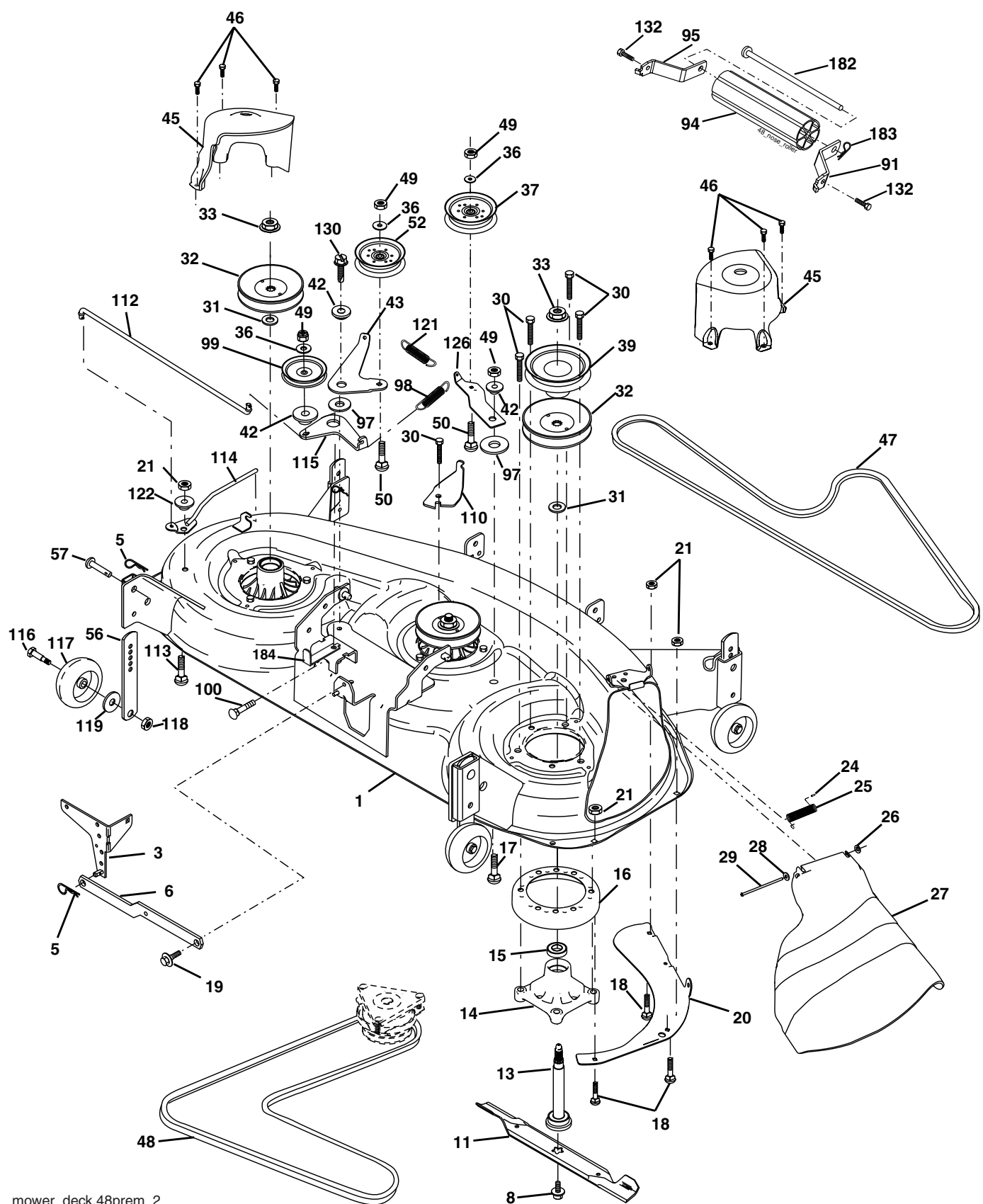


KEY NO.	PART NO.	DESCRIPTION
1	59192	Cap, Valve, Tire
2	65139	Stem, Valve
3	106228X421	Rim Assembly, Front
4	8134H	Tube, Front (Service Item Only)
5	161024	Tire, Front
6	278H	Fitting, Grease (Front Wheel nly)
7	9040H	Bearing, Flange (Front Wheel Only)
8	104757X421	Cap, Axle (Front Wheel Only)
9	170453	Tire, Rear
10	7154J	Tube, Rear (Service Item Only)
11	106277X421	Rim Assembly, Rear
12	6856M	Fitting, Grease
--	144334	Sealant, Tire (10 oz. Tube)

NOTE: All component dimensions given in U.S. inches
1 inch = 25.4 mm

REPAIR PARTS

TRACTOR - MODEL NUMBER PDGT26H48B, PRODUCT NUMBER 954 56 95-30
MOWER DECK



mower_deck.48prem_2

REPAIR PARTS

**TRACTOR - MODEL NUMBER PDGT26H48B, PRODUCT NUMBER 954 56 95-30
MOWER DECK**

KEY NO.	PART NO.	DESCRIPTION	KEY NO.	PART NO.	DESCRIPTION
1	180358X421	Deck Weldment Mower 48	49	73680600	Nut, Crownlock 3/8-16 Unc
3	178915	Bracket Asm., Sway Bar	50	72110612	Bolt, Carr. 3/8-16 x 1-1/2 Gr. 5
5	4939M	Retainer Spring	52	175820	Pulley Idler Flat
6	178024	Sway Bar Deck	56	155986	Bar Pnt Adj.
8	174365	Bolt 7/16 Asm. Blade (The following blades are available)	57	156941	Pin Head Rivet
11	173921	Blade, 48" Mulching (For mulching mowers only)	91	180535	Bracket Asm N Roller RH
--	180054	Blade, 48" Hi-lift (For bagging and discharging)	94	176066	Roller Nose 48"
13	174360	Shaft Asm. w/Lower Bearing	95	180534	Bracket Asm N Roller LH
14	174358	Mandrel Asm.	97	178515	Washer Hardened
15	110485X	Bearing, Ball, Mandrel	98	179479	Spring Primary Drive
16	174493	Stripper Mandrel Deck	99	184058	Pulley Idler"V"
17	72110610	Bolt RDHD Sq Neck 3/8-16 x 1.25	100	72110616	Bolt RDHD Sqnk 3/8-16 Unc x 2
18	72140505	Bolt, Carriage 5/16-18 x 5/8	110	175016	Arm Spring Secondary
19	132827	Bolt, Hex Hd, Shoulder 5/16-18	112	174387	Link Tension Relief Lever
20	174378	Baffle, Vortex Mower	113	72110506	Bolt Carr. 5/16-18 x 3/4
21	73680500	Nut, Crownlock 5/16-18 Unc	114	174384	Tension Asm. Relief Lever
24	105304X	Cap, Sleeve	115	174609	Arm Spring Tension Relief
25	178102	Spring, Torsion	116	184219	Bolt, Shoulder
26	110452X	Nut, Push	117	174873	Gauge Wheel
27	180655X428	Deflector Shield	118	73930600	Nut, Centerlock 3/8-16 Unc
28	19111016	Washer 11/32 x 5/8 x 16 Ga.	119	19121414	Washer 3/8 x 7/8 x 14 Ga.
29	131491	Rod, Hinge	121	174371	Spring Secondary Drive
30	173984	Screw, Thdroll Washer Head	122	174606	Bushing Pivot Tension Relief
31	129963	Washer, Spacer Mower Vented	126	174372	Arm, Idler, Primary Deck
32	177865	Pulley, Mandrel	130	17000616	Screw 3/8-16 x 1.0
33	178342	Nut, Fig. Top Lock Cntr. 9/16	132	17000612	Screw 3/8-16 x .75
36	19131316	Washer 13/32 x 13/16 x 16 Ga.	182	179127	Rod Roller Nose
37	177968	Pulley, Idler, Flat	183	163552	Retainer Spring
39	174375	Pulley, Idler, Driven	184	173979	Keeper Belt Idler
42	122052X	Spacer, Retainer	--	174356	Mandrel Asm. Service (Includes Key Nos. 13-15 and 33)
43	174373	Arm, Idler Secondary	--	180939	Replacement Mower, Complete (Std. Deck - Order separately nose roller components key nos. 91, 94, 95, 132, 182, and 183)
45	180806	Cover, Mandrel Deck			
46	137729	Screw, Thdroll. 1/4-20 x 5/8			
47	180808	V-Belt, Mower, Secondary			
48	174368	V-Belt, Mower, Primary			

NOTE: All component dimensions given in U.S. inches
1 inch = 25.4 mm