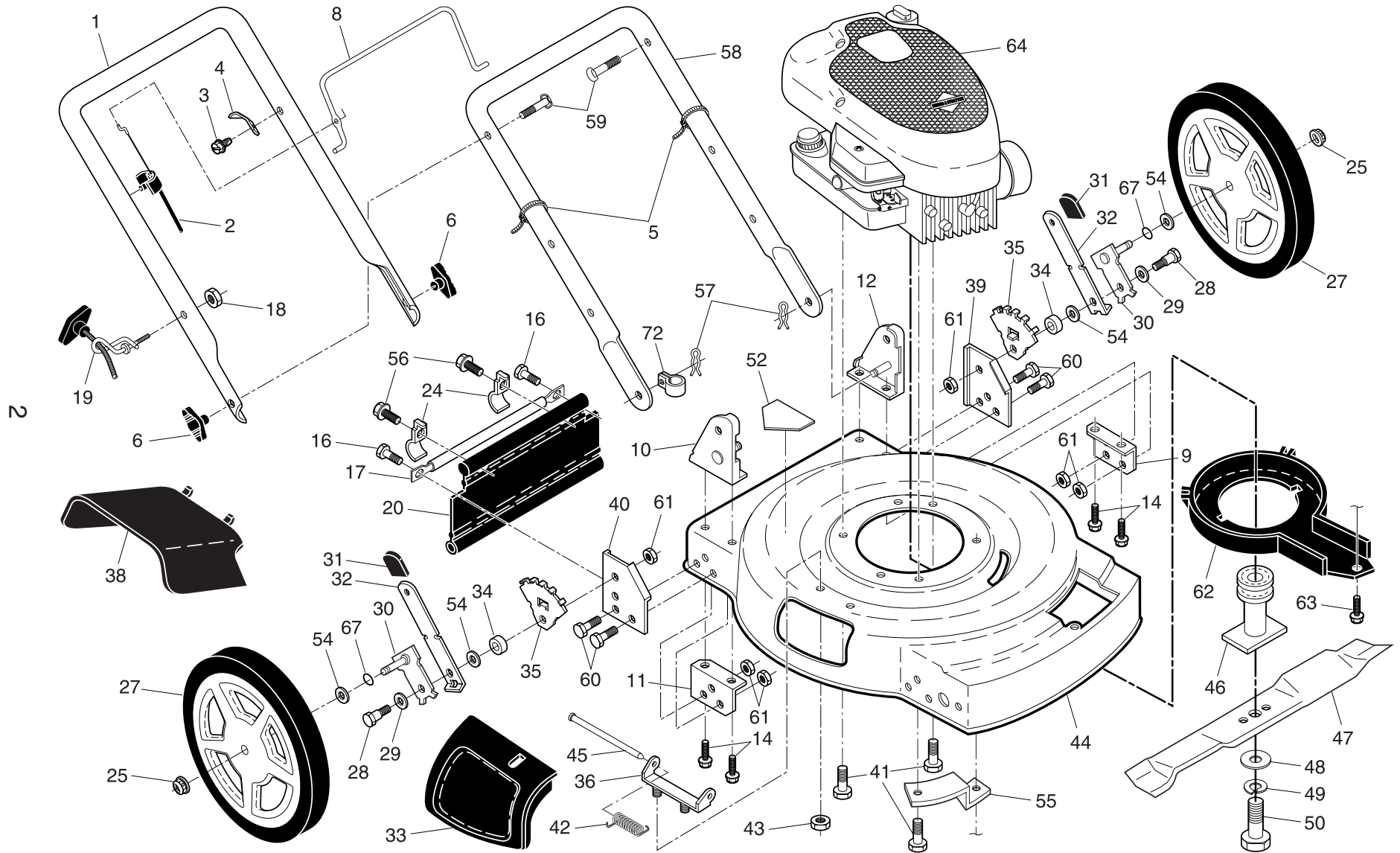


# ROTARY LAWN MOWER - - MODEL NUMBER **SO5Y22SHP** (MFG. ID. NUMBER 96122000701)



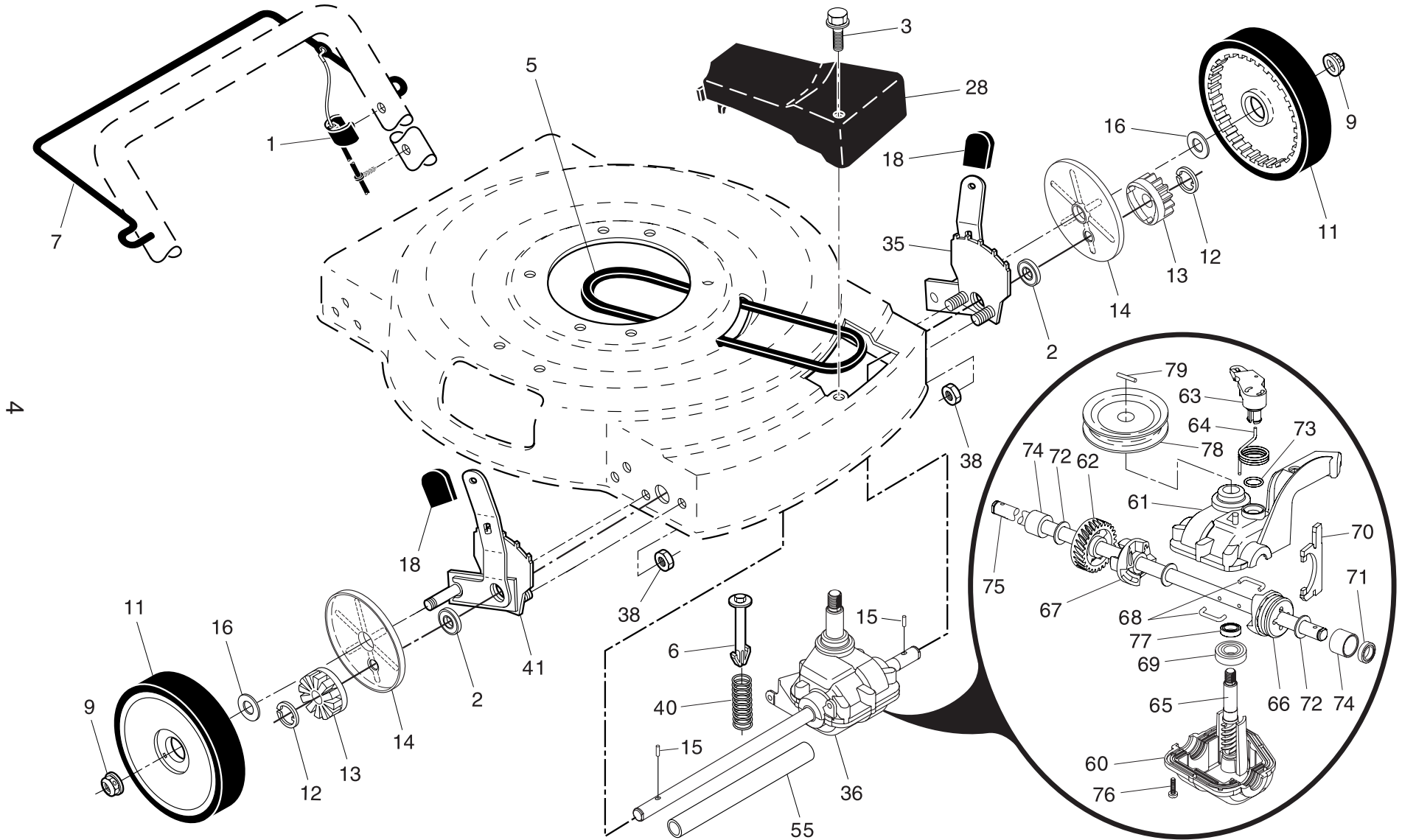
## ROTARY LAWN MOWER - - MODEL NUMBER **SO5Y22SHP** (MFG. ID. NUMBER 96122000701)

| KEY NO. | PART NO.   | DESCRIPTION                         | KEY NO. | PART NO.      | DESCRIPTION   |
|---------|------------|-------------------------------------|---------|---------------|---|
| 1       | 194200X479 | Upper Handle                        | 40      | 193247X479    | Support Bracket, RH   |
| 2       | 183567     | Engine Zone Control Cable           | 41      | 150406        | Screw, Hex Head, Threaded, Rolled 3/8-16 x 1-1/8  |
| 3       | 750634     | Screw                               | 42      | 152124        | Spring, Torsion   |
| 4       | 850733X004 | Bracket, Upstop                     | 43      | 73800400      | Locknut, Hex  |
| 5       | 66426      | Wire Tie                            | 44      | 195614        | Lawn Mower Housing (Includes Key Number 46)   |
| 6       | 189713X428 | Handle Knob                         | 45      | 147286        | Rod, Hinge  |
| 8       | 194199X428 | Control Bar                         | 46      | 189179        | Blade Adapter / Pulley  |
| 9       | 153282X479 | Support Bracket, Handle, LH         | 47      | 192682        | Blade, 22"  |
| 10      | 170345X479 | Handle Bracket Assembly, RH         | 48      | 851074        | Washer, Hardened  |
| 11      | 153350X479 | Support Bracket, Handle, RH         | 49      | 850263        | Washer, Lock, Helical   |
| 12      | 170346X479 | Handle Bracket Assembly, LH         | 50      | 851084        | Screw, Hex Head 3/8-24 x 1-3/8 (Grade 8)  |
| 14      | 149741     | Screw, Thread Cutting 5/16-18 x 3/4 | 52      | <b>404763</b> | Decal, Danger   |
| 16      | 54583      | Screw                               | 54      | 88348         | Washer, Flat 1/2  |
| 17      | 165175X479 | Support Rod                         | 55      | 188839X004    | Mounting Bracket, Debris Shield   |
| 18      | 132004     | Locknut, Keps                       | 56      | 750097        | Screw, Hex Washer Head #10-24 x 1/2   |
| 19      | 194788     | Rope Guide                          | 57      | 51793         | Hairpin Cotter  |
| 20      | 189008     | Rear Skirt                          | 58      | 151590X479    | Lower Handle  |
| 24      | 192301X004 | Clamp, Rear Skirt                   | 59      | 191574        | Handle Bolt   |
| 25      | 145212     | Locknut, Hex 3/18-16                | 60      | 74760612      | Bolt  |
| 27      | 193906X427 | Wheel & Tire Assembly, Rear, 12"    | 61      | 751592        | Locknut, Hex  |
| 28      | 142748     | Shoulder Bolt                       | 62      | 188784        | Debris Shield   |
| 29      | 61651      | Belleville Washer                   | 63      | 192325        | Screw   |
| 30      | 180413X004 | Axle Arm Assembly                   | 64      | - - -         | Engine, Briggs & Stratton, Model Number 120K02<br>(For engine service and replacement parts,<br>call Briggs & Stratton at 1-800-233-3723) |
| 31      | 87877      | Knob, Selector                      | 67      | 197480        | O-Ring  |
| 32      | 700331X004 | Spring, Selector                    | 72      | 197991        | Clip, Cable   |
| 33      | 151889     | Mulcher Door                        | - -     | <b>404764</b> | Warning Decal (not shown)   |
| 34      | 146630     | Spacer                              | - -     | 193733        | Operator's Manual, English  |
| 35      | 750085X007 | Bracket, Wheel Adjuster             | - -     | 193743        | Operator's Manual, Spanish  |
| 36      | 154132     | Bracket, Housing                    | - -     | <b>405155</b> | Repair Parts Manual, English  |
| 38      | 176509     | Deflector, Discharge                |         |               |   |
| 39      | 193248X479 | Support Bracket, LH                 |         |               |   |

**NOTE:** All component dimensions given in U.S. inches. 1 inch = 25.4 mm.

**IMPORTANT:** Use only Original Equipment Manufacturer (O.E.M.) replacement parts. Failure to do so could be hazardous, damage your lawn mower and void your warranty.

# ROTARY LAWN MOWER - - MODEL NUMBER **SO5Y22SHP** (MFG. ID. NUMBER 96122000701)



## ROTARY LAWN MOWER - - MODEL NUMBER **SO5Y22SHP** (MFG. ID. NUMBER 96122000701)

| KEY<br>NO. | PART<br>NO.   | DESCRIPTION  | KEY<br>NO. | PART<br>NO.   | DESCRIPTION        |
|------------|---------------|--|------------|---------------|--------------------|
| 1          | 194653        | Drive Control Cable Assembly                           | 55         | 86012         | Driveshaft Cover   |
| 2          | 191039        | Bearing, Wheel Adjuster                                | 60         | 183497        | * Case, Lower      |
| 3          | 143603        | Pan Head Tapping Screw #10-24 x 2-3/4                  | 61         | 183498        | * Case, Upper      |
| 5          | 146527        | V-Belt   | 62         | 183499        | Gear, 27 Teeth     |
| 6          | 150495        | Spring Retainer  | 63         | 183500        | Lever, Clutch      |
| 7          | 194185X428    | Control Bar, Drive                                     | 64         | 183501        | Spring, Return     |
| 9          | 83923         | Locknut, Hex   | 65         | 183502        | Shaft, Input       |
| 11         | 193912X427    | Wheel & Tire Assembly, Front, 8"                       | 66         | 183503        | Dog, Movable       |
| 12         | 12000058      | E-Ring   | 67         | 183504        | Dog, Fixed         |
| 13         | 750003        | Pinion   | 68         | 183505        | Wire, Formed       |
| 14         | 189403        | Dust Cover   | 69         | 183506        | Bearing, Ball      |
| 15         | 191017        | Pawl, Drive  | 70         | 183507        | Fork, Shift        |
| 16         | 67725         | Washer   | 71         | 183508        | Seal, Output Shaft |
| 18         | 87877         | Selector Knob  | 72         | 183509        | Washer             |
| 28         | 194398X428    | Drive Cover  | 73         | 183510        | Seal, Case         |
| 35         | 195110        | Kit, Wheel Adjuster, LH<br>(Includes Knob and Bearing) | 74         | 183511        | Bushing            |
| 36         | <b>199206</b> | Gear Case Assembly, Complete                           | 75         | 187521        | Shaft, Output      |
| 38         | 73800400      | Locknut, Hex 1/4-20                                    | 76         | 183513        | Screw              |
| 40         | 137090        | Spring   | 77         | 183514        | Seal, Input Shaft  |
| 41         | 195107        | Kit, Wheel Adjuster, RH<br>(Includes Knob and Bearing) | 78         | <b>199852</b> | Pulley, Drive      |
|            |               |  | 79         | <b>199419</b> | Pin, Retaining     |

\* Use Dow Corning #709 to reseal.

**NOTE:** All component dimensions given in U.S. inches. 1 inch = 25.4 mm.

**IMPORTANT:** Use only Original Equipment Manufacturer (O.E.M.) replacement parts. Failure to do so could be hazardous, damage your lawn mower and void your warranty.