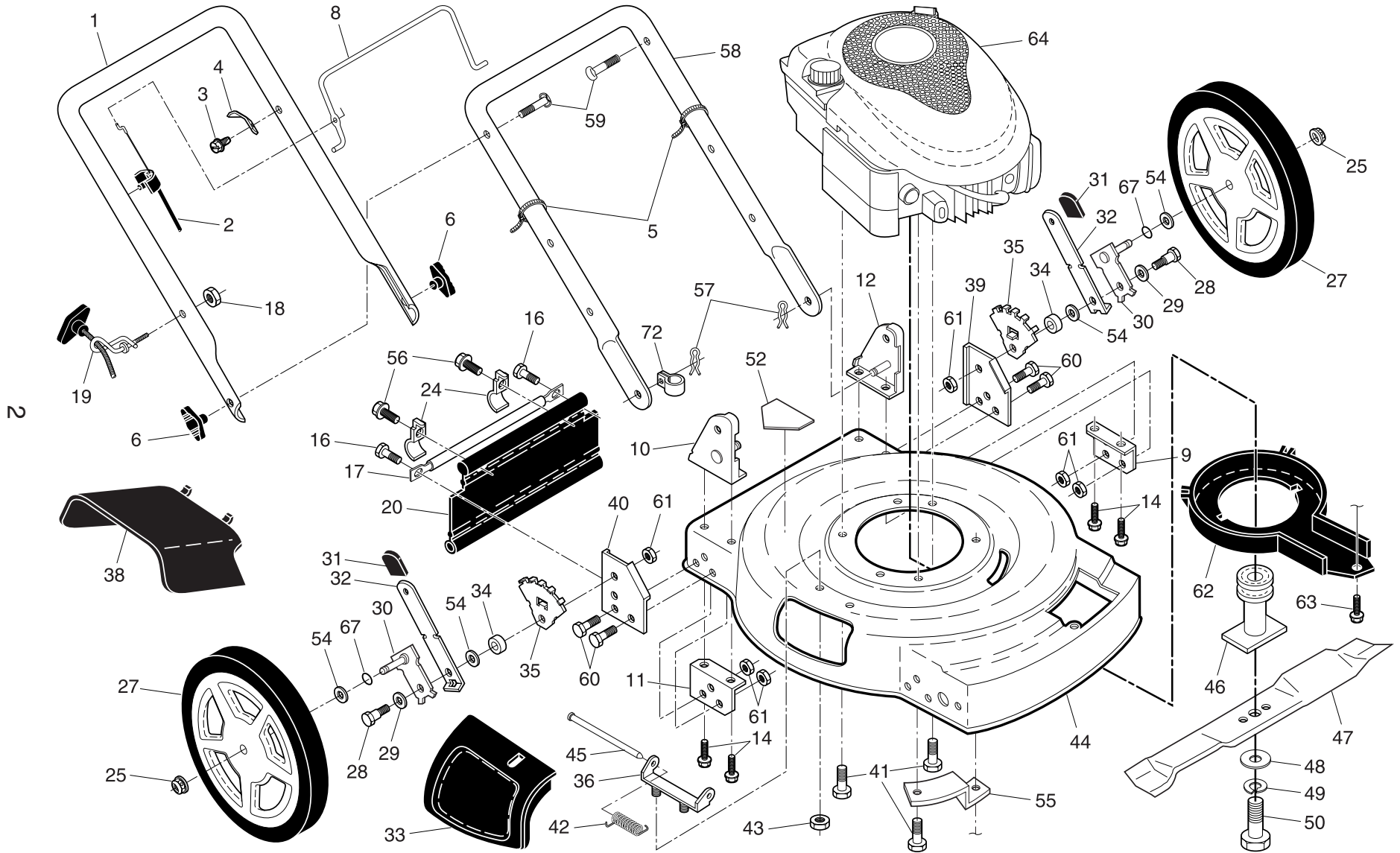


# ROTARY LAWN MOWER - - MODEL NUMBER **SO65Y22SHP** (MFG. ID. NUMBER 96122000800)



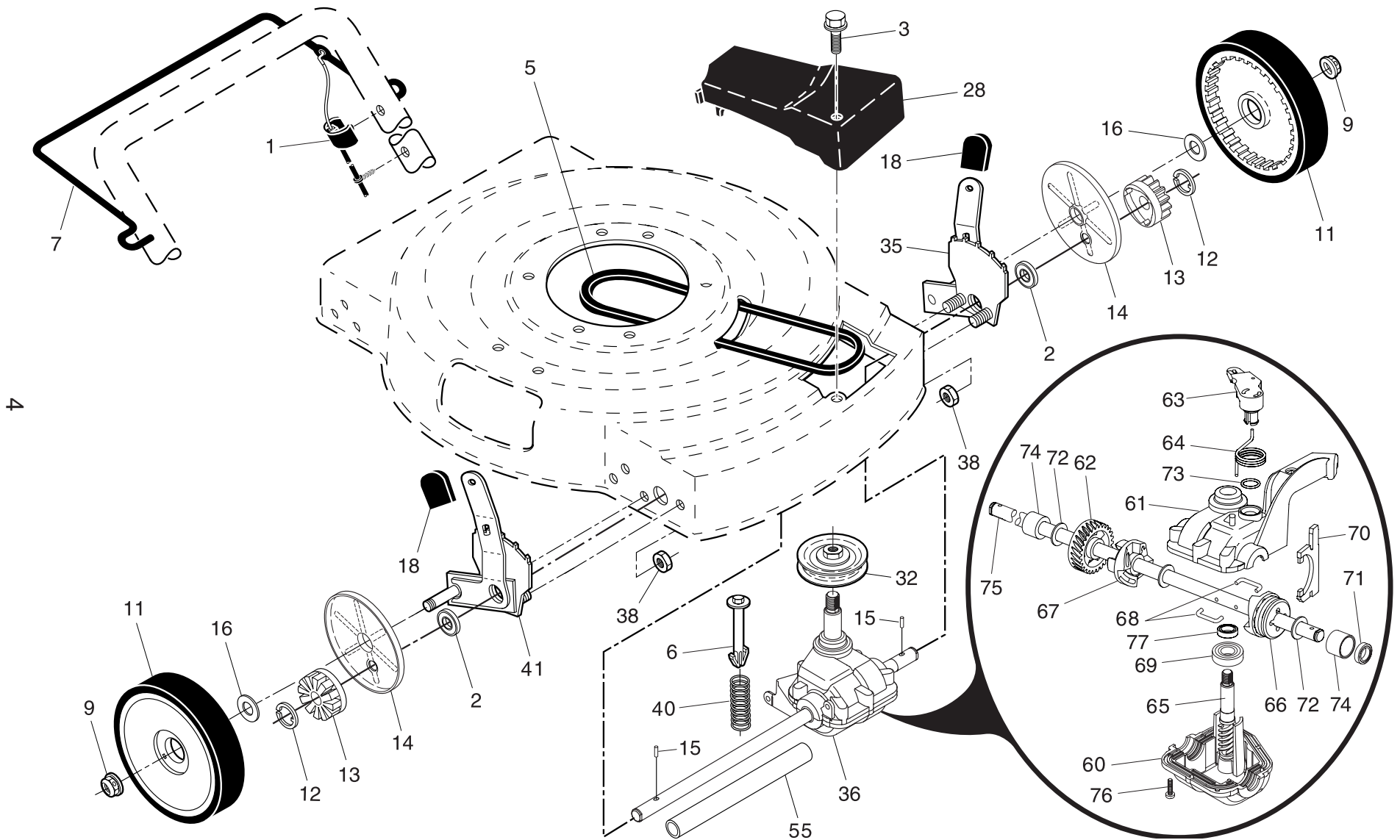
## ROTARY LAWN MOWER - - MODEL NUMBER **SO65Y22SHP** (MFG. ID. NUMBER 96122000800)

KEY NO.	PART NO.	DESCRIPTION	KEY NO.	PART NO.	DESCRIPTION
1	194200X479	Upper Handle	40	193247X479	Support Bracket, RH
2	<b>183567</b>	Engine Zone Control Cable	41	150406	Screw, Hex Head, Threaded, Rolled 3/8-16 x 1-1/8
3	750634	Screw	42	152124	Spring, Torsion
4	850733X004	Bracket, Upstop	43	73800400	Locknut, Hex
5	66426	Wire Tie	44	195614	Lawn Mower Housing (Includes Key Number 46)
6	189713X428	Handle Knob	45	147286	Rod, Hinge
8	194199X428	Control Bar	46	189179	Blade Adapter / Pulley
9	153282X479	Support Bracket, Handle, LH	47	192682	Blade, 22"
10	170345X479	Handle Bracket Assembly, RH	48	851074	Washer, Hardened
11	153350X479	Support Bracket, Handle, RH	49	850263	Washer, Lock, Helical
12	170346X479	Handle Bracket Assembly, LH	50	851084	Screw, Hex Head 3/8-24 x 1-3/8 (Grade 8)
14	149741	Screw, Thread Cutting 5/16-18 x 3/4	52	141846	Decal, Danger
16	54583	Screw	54	88348	Washer, Flat 1/2
17	165175X479	Support Rod	55	188839X004	Mounting Bracket, Debris Shield
18	132004	Locknut, Keps	56	750097	Screw, Hex Washer Head #10-24 x 1/2
19	194788	Rope Guide	57	51793	Hairpin Cotter
20	189008	Rear Skirt	58	151590X479	Lower Handle
24	192301X004	Clamp, Rear Skirt	59	191574	Handle Bolt
25	145212	Locknut, Hex 3/18-16	60	74760612	Bolt
27	193906X427	Wheel & Tire Assembly, Rear, 12"	61	751592	Locknut, Hex
28	142748	Shoulder Bolt	62	188784	Debris Shield
29	61651	Belleville Washer	63	192325	Screw
30	180413X004	Axle Arm Assembly	64	- - -	Engine, Briggs & Stratton, Model Number 123K02 (For engine service and replacement parts, call Briggs & Stratton at 1-800-233-3723)
31	87877	Knob, Selector			
32	700331X004	Spring, Selector			
33	151889	Mulcher Door	67	197480	O-Ring
34	146630	Spacer	72	197991	Clip, Cable
35	750085X007	Bracket, Wheel Adjuster	- -	161058	Warning Decal (not shown)
36	154132	Bracket, Housing	- -	193733	Operator's Manual, English
38	176509	Deflector, Discharge	- -	193743	Operator's Manual, Spanish
39	193248X479	Support Bracket, LH	- -	402997	Repair Parts Manual, English

**NOTE:** All component dimensions given in U.S. inches. 1 inch = 25.4 mm.

**IMPORTANT:** Use only Original Equipment Manufacturer (O.E.M.) replacement parts. Failure to do so could be hazardous, damage your lawn mower and void your warranty.

# ROTARY LAWN MOWER - - MODEL NUMBER SO65Y22SHP (MFG. ID. NUMBER 96122000800)



# ROTARY LAWN MOWER - - MODEL NUMBER **SO65Y22SHP** (MFG. ID. NUMBER 96122000800)

KEY NO.	PART NO.	DESCRIPTION	KEY NO.	PART NO.	DESCRIPTION
1	194653	Drive Control Cable Assembly	41	195107	Kit, Wheel Adjuster, RH (Includes Knob and Bearing)
2	191039	Bearing, Wheel Adjuster			
3	143603	Pan Head Tapping Screw #10-24 x 2-3/4	55	86012	Driveshaft Cover
5	146527	V-Belt	60	183497	* Case, Lower
6	150495	Spring Retainer	61	183498	* Case, Upper
7	194185X428	Control Bar, Drive	62	183499	Gear, 27 Teeth
9	83923	Locknut, Hex	63	183500	Lever, Clutch
11	193912X427	Wheel & Tire Assembly, Front, 8"	64	183501	Spring, Return
12	12000058	E-Ring	65	183502	Shaft, Input
13	750003	Pinion	66	183503	Dog, Movable
14	189403	Dust Cover	67	183504	Dog, Fixed
15	191017	Pawl, Drive	68	183505	Wire, Formed
16	67725	Washer	69	183506	Bearing, Ball
18	87877	Selector Knob	70	183507	Fork, Shift
28	194398X428	Drive Cover	71	183508	Seal, Output Shaft
32	194126	Drive Pulley	72	183509	Washer
35	195110	Kit, Wheel Adjuster, LH (Includes Knob and Bearing)	73	183510	Seal, Case
36	194936	Gear Case Assembly, Complete	74	183511	Bushing
38	73800400	Locknut, Hex 1/4-20	75	196561	Shaft, Output
40	137090	Spring	76	183513	Screw
			77	183514	Seal, Input Shaft

\* Use Dow Corning #709 to reseal.

**NOTE:** All component dimensions given in U.S. inches. 1 inch = 25.4 mm.

**IMPORTANT:** Use only Original Equipment Manufacturer (O.E.M.) replacement parts. Failure to do so could be hazardous, damage your lawn mower and void your warranty.