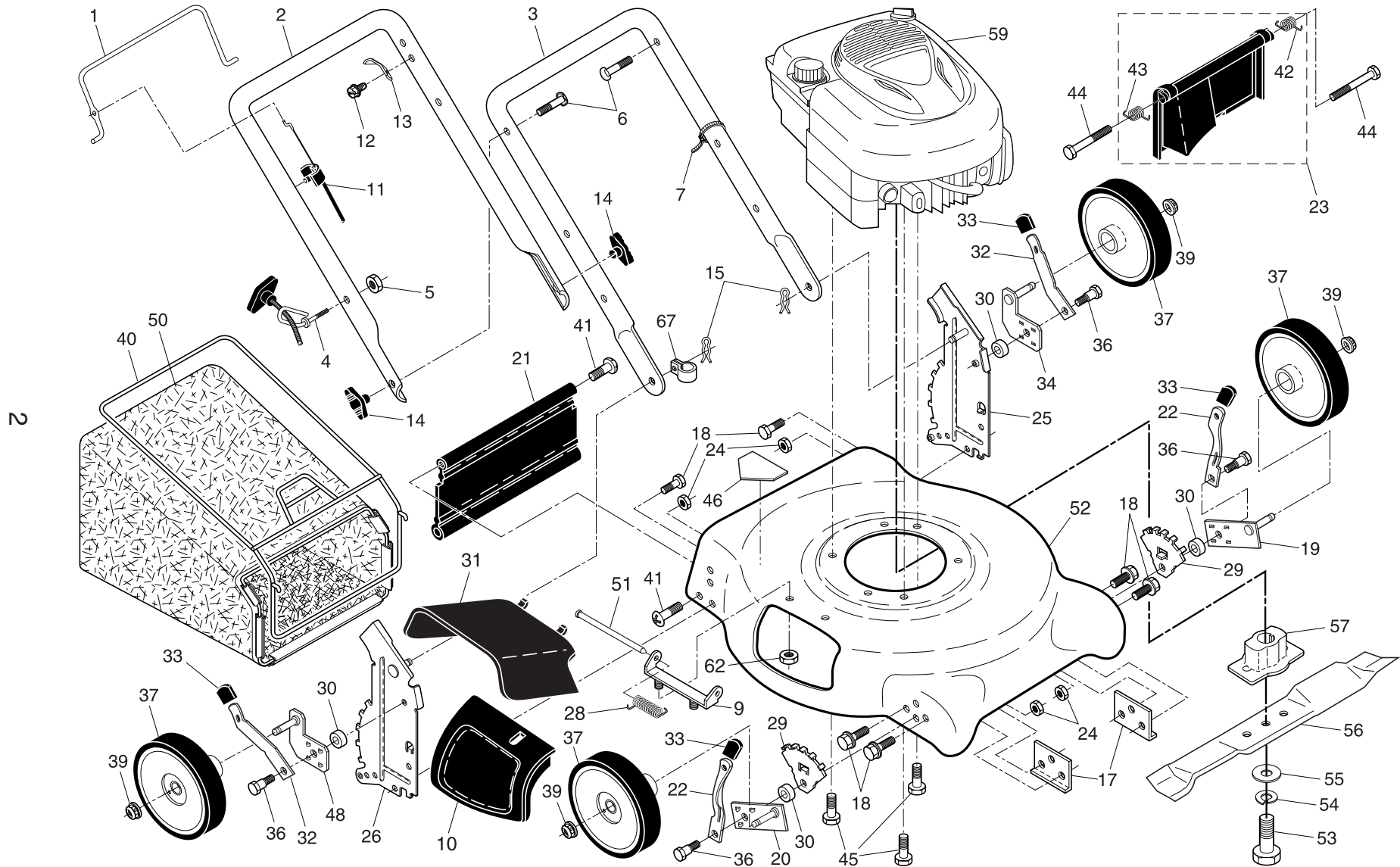


ROTARY LAWN MOWER - - MODEL NUMBER **PO65N21C** (MFG. ID. NUMBER 96132000801)



ROTARY LAWN MOWER - - MODEL NUMBER **PO65N21C** (MFG. ID. NUMBER 96132000801)

| KEY NO. | PART NO. | DESCRIPTION | KEY NO. | PART NO. | DESCRIPTION |
|------------|-------------------|--|------------|-------------------|---|
| 1 | 194177X428 | Control Bar | 34 | 186576X004 | Axle Arm Assembly, Rear, LH |
| 2 | 194179X479 | Upper Handle | 36 | 160828 | Shoulder Bolt 5/16-18 |
| 3 | 169708X479 | Lower Handle | 37 | 193909X427 | Wheel & Tire Assembly |
| 4 | 179585 | Rope Guide | 39 | 83923 | Flanged Locknut, Hex |
| 5 | 132004 | Nut, Hex | 40 | 188813 | Frame, Grassbag |
| 6 | 191574 | Handle Bolt | 41 | 88652 | Hinge Screw |
| 7 | 66426 | Wire Tie | 42 | 165766 | Spring, Rear Door, LH |
| 9 | 154132 | Hinge Bracket | 43 | 165767 | Spring, Rear Door, RH |
| 10 | 165754 | Mulcher Door | 44 | 184193 | Bolt, Rear Door |
| 11 | 183281 | Cable, Engine Zone Control | 45 | 150406 | Hex Head Thread Rolling Screw 3/8-16 x 1 |
| 12 | 750634 | Hex Washer Head Screw | 46 | 107339 | Danger Decal |
| 13 | 86899X004 | Up-Stop Bracket | 48 | 186575X004 | Axle Arm Assembly, Rear, RH |
| 14 | 189713X428 | Knob, Handle | 50 | 195038 | Grassbag |
| 15 | 51793 | Hairpin Cotter | 51 | 147286 | Rod, Hinge |
| 17 | 165946X479 | Support Bracket | 52 | 190490 | Kit, Lawn Mower Housing (Includes Key Numbers 17, 18 and 46) |
| 18 | 17600406 | Screw | 53 | 851084 | Hex Head Screw 3/8-24 x 1-3/8 Grade 8 |
| 19 | 186577X004 | Axle Arm Assembly, Front, LH | 54 | 850263 | Helical Lockwasher |
| 20 | 186578X004 | Axle Arm Assembly, Front, RH | 55 | 851074 | Hardened Washer |
| 21 | 188987 | Rear Skirt | 56 | 189028 | 21" Blade |
| 22 | 168360X004 | Selector Spring, Front | 57 | 193707 | Blade Adapter |
| 23 | 186612 | Kit, Rear Door Assembly (Includes Springs) | 59 | --- | Engine, Briggs & Stratton, Model Number 123K02 (For engine service and replacement parts, call Briggs & Stratton at 1-800-233-3723) |
| 24 | 73930500 | Locknut, Hex 5/16-18 | | | |
| 25 | 166111X479 | Handle Bracket Assembly, LH | 62 | 73800400 | Nut, Hex |
| 26 | 166112X479 | Handle Bracket Assembly, RH | 67 | 192770 | Clip, Cable |
| 28 | 152124 | Spring, Hinge | -- | 162300 | Warning Decal (not shown) |
| 29 | 160835X007 | Wheel Adjusting Bracket, Front | -- | 193732 | Operator's Manual, English |
| 30 | 183901 | Spacer | -- | 193734 | Operator's Manual, French |
| 31 | 165760 | Discharge Deflector | -- | 197971 | Repair Parts Manual, English / French |
| 32 | 169421X004 | Selector Spring, Rear | | | |
| 33 | 87877 | Selector Knob | | | |

NOTE: All component dimensions given in U.S. inches. 1 inch = 25.4 mm.

IMPORTANT: Use only Original Equipment Manufacturer (O.E.M.) replacement parts. Failure to do so could be hazardous, damage your lawn mower and void your warranty.