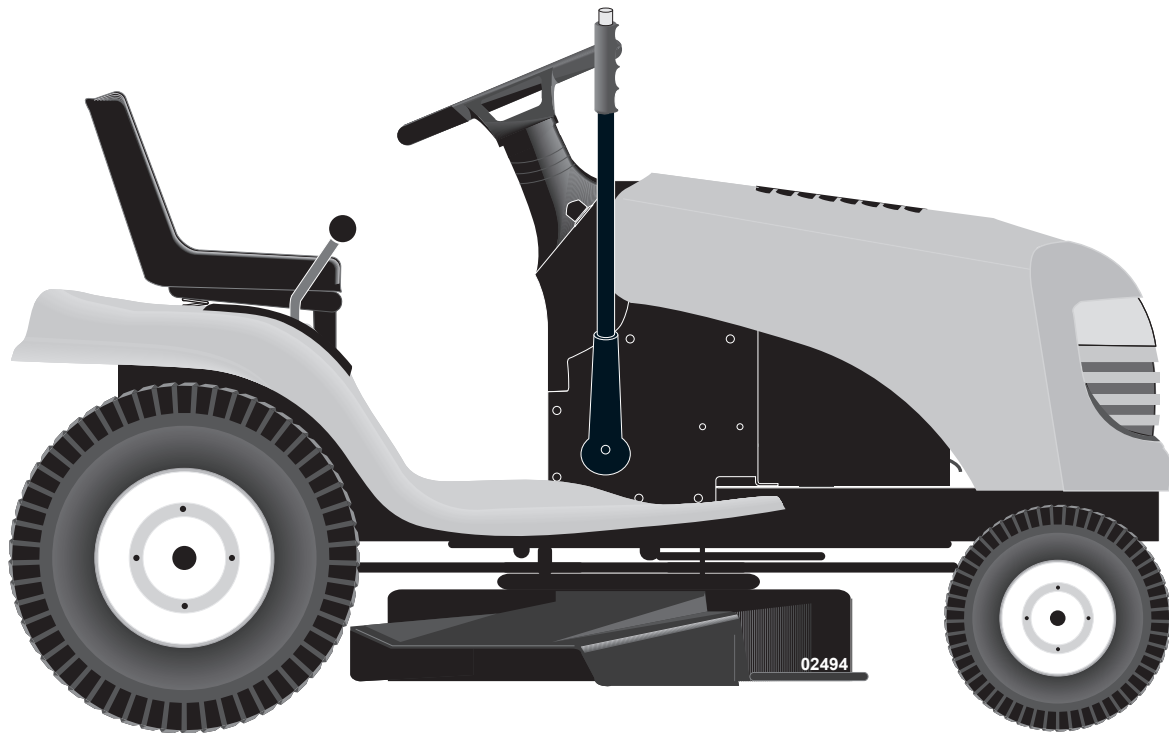


IMPORTANT MANUAL

DO NOT THROW AWAY

Poulan PRO[®] XT



REPAIR PARTS MANUAL

MODEL:

XT18542LT

LAWN TRACTOR

ALWAYS WEAR EYE PROTECTION DURING OPERATION

Visit our website: www.poulan-pro.com



WARNING:

Read this Manual and follow all Warnings and Safety Instructions. Failure to do so can result in serious injury.

433509

01.04.10 SR
Printed in the U.S.A.

HOW TO USE THIS MANUAL

This manual is designed to provide the customer with a means to identify the parts on his/her tractor when ordering repair parts. The illustrations may or may not represent the actual assemblies; therefore, it is not recommended to use this manual as a guide to assemble or disassemble the tractor. Some hardware and parts are drawn larger in order to more readily identify them.

Each tractor has its own model number.

The model number for your tractor can be found on the fender under the seat.

When ordering parts, always give the following information:

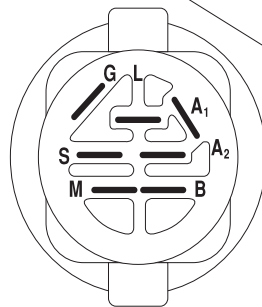
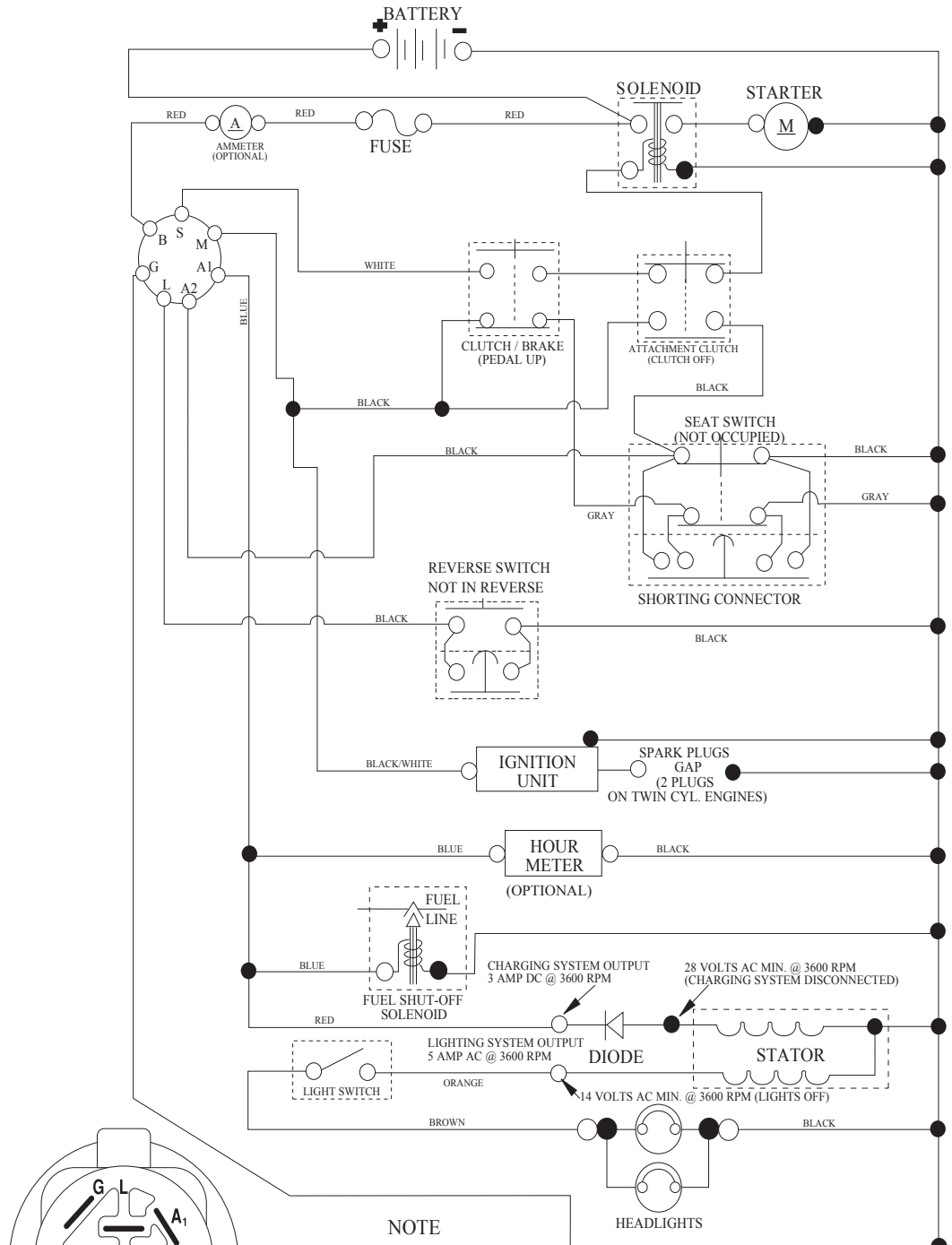
- Product - "TRACTOR"
- MODEL NUMBER - "XT18542LT (96012010900)"
- Part Number
- Part Description

TABLE OF CONTENTS

SCHEMATIC	3
ELECTRICAL.....	4-5
CHASSIS	6-7
DRIVE.....	8-9
ENGINE.....	10-11
STEERING	12-13
DECALS.....	14
SEAT	15
MOWER DECK	16-17
MOWER LIFT.....	18
WARRANTY.....	20

TRACTOR - MODEL NUMBER XT18542LT (96012010900), PRODUCT NO. 960 12 01-09 SCHEMATIC

SCH03



IGNITION SWITCH

POSITION	CIRCUIT "MAKE"
OFF	M+G+A1
RUN/OVERRIDE	B+A1
RUN	B+A1 L+A2
START	B + S + A1

NOTE

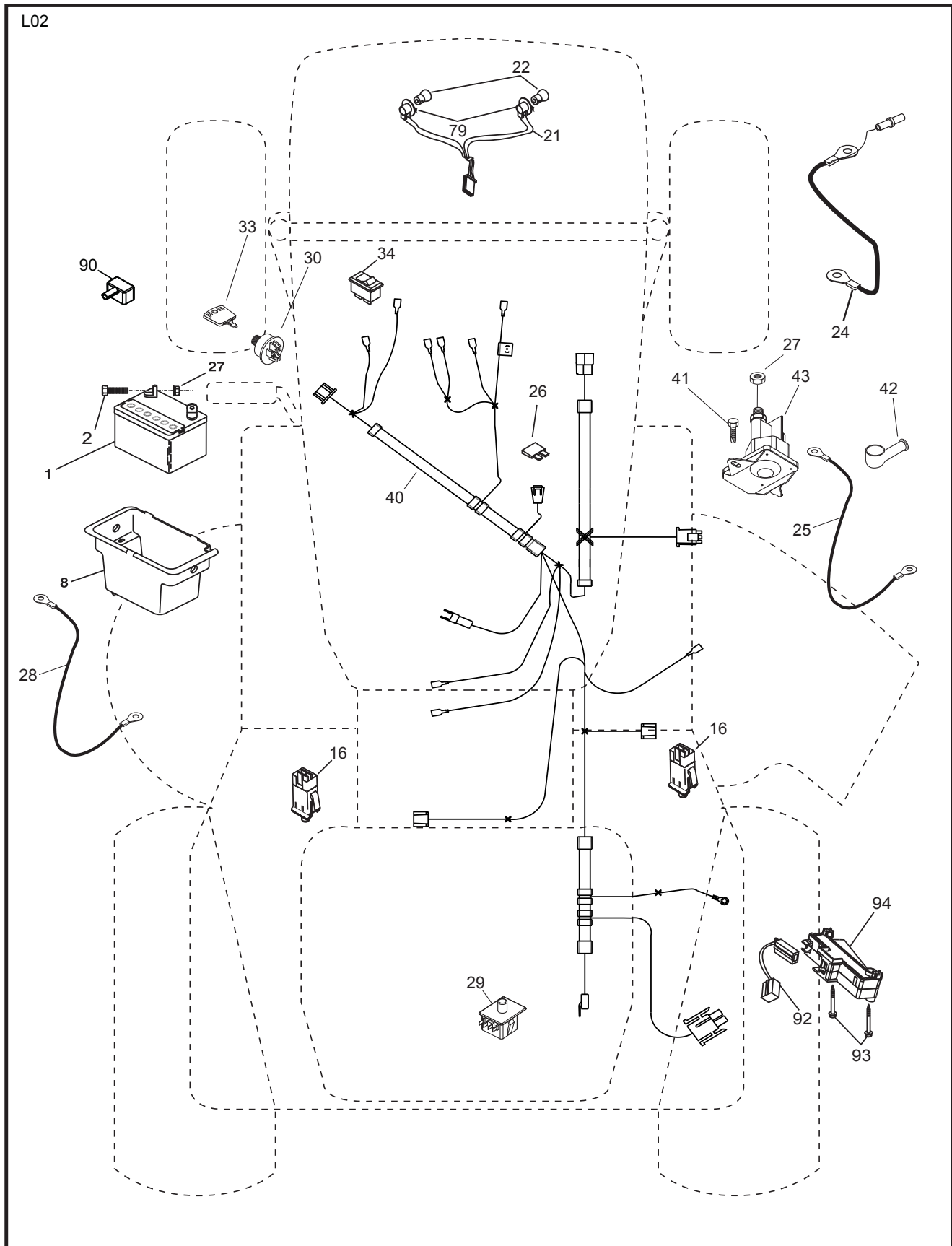
YOUR TRACTOR IS EQUIPPED WITH A SPECIAL ALTERNATOR SYSTEM. THE LIGHTS ARE NOT CONNECTED TO THE BATTERY, BUT HAVE THEIR OWN ELECTRICAL SOURCE. BECAUSE OF THIS, THE BRIGHTNESS OF THE LIGHTS WILL CHANGE WITH ENGINE SPEED. AT IDLE THE LIGHTS WILL DIM. AS THE ENGINE IS SPEEDED UP, THE LIGHTS WILL BECOME THEIR BRIGHTEST.



WIRING INSULATED CLIPS
NOTE: IF WIRING INSULATED CLIPS WERE REMOVED FOR SERVICING OF UNIT, THEY SHOULD BE RE-INSTALLED TO PROPERLY SECURE YOUR WIRING.

REPAIR PARTS

TRACTOR - MODEL NUMBER XT18542LT (96012010900), PRODUCT NO. 960 12 01-09
ELECTRICAL



REPAIR PARTS

TRACTOR - MODEL NUMBER XT18542LT (96012010900), PRODUCT NO. 960 12 01-09
ELECTRICAL

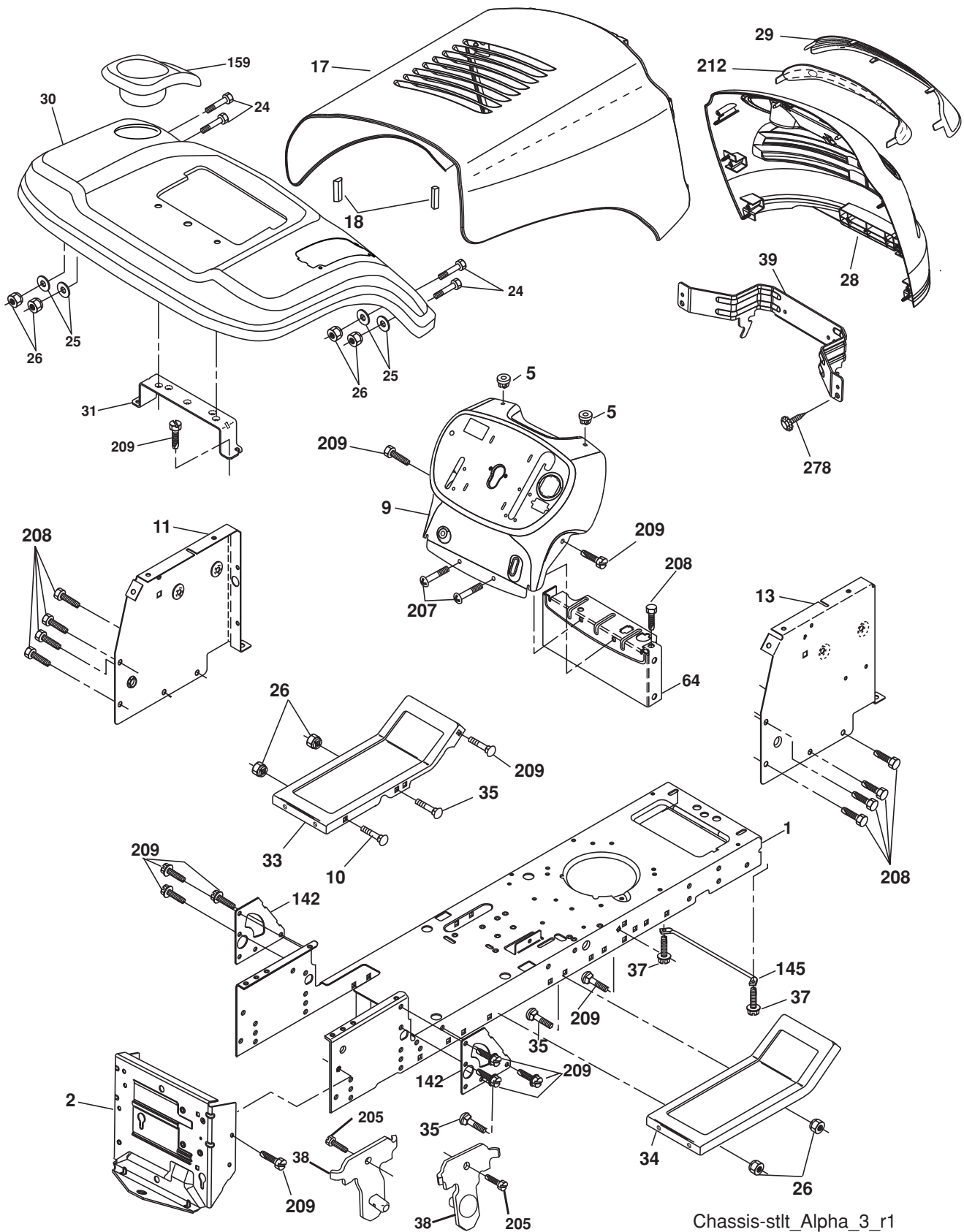
KEY NO.	PART NO.	DESCRIPTION
1	163465	Battery
2	74760412	Bolt Hex Hd 1/4-20 unc x 3/4
8	176689	Box Battery
16	176138	Switch Interlock
21	175688	Harness Asm Light w/4152j
22	4152J	Bulb Light #1156
24	421297	Cable Battery 8 Ga. Red 44
25	421299	Cable Starter
26	175158	Fuse 20 AMP
27	73510400	Nut Keps Hex 1/4-20 unc
28	421298	Cable Ground 6 Ga. 12" Black
29	192749	Switch Seat
30	193350	Switch Ign
33	411935	Key/Chain
34	110712X	Switch Light/Reset
40	197428	Harness Ign
41	71110408	Bolt Blk Fin Hex 1/4-20
42	131563	Cover Terminal Red
43	192507	Solenoid
79	175242	Socket Asm. Bulb Twistlock
90	180449	Cover Terminal Battery
92	196615	Harness Pigtail
93	192540	Screw Plastite 10-14 x 2.0
94	191834	Module Reverse ROS

NOTE: All component dimensions given in U.S. inches
1 inch = 25.4 mm.

REPAIR PARTS

TRACTOR - MODEL NUMBER XT18542LT (96012010900), PRODUCT NO. 960 12 01-09

CHASSIS



Chassis-stlt_Alpha_3_r1

REPAIR PARTS

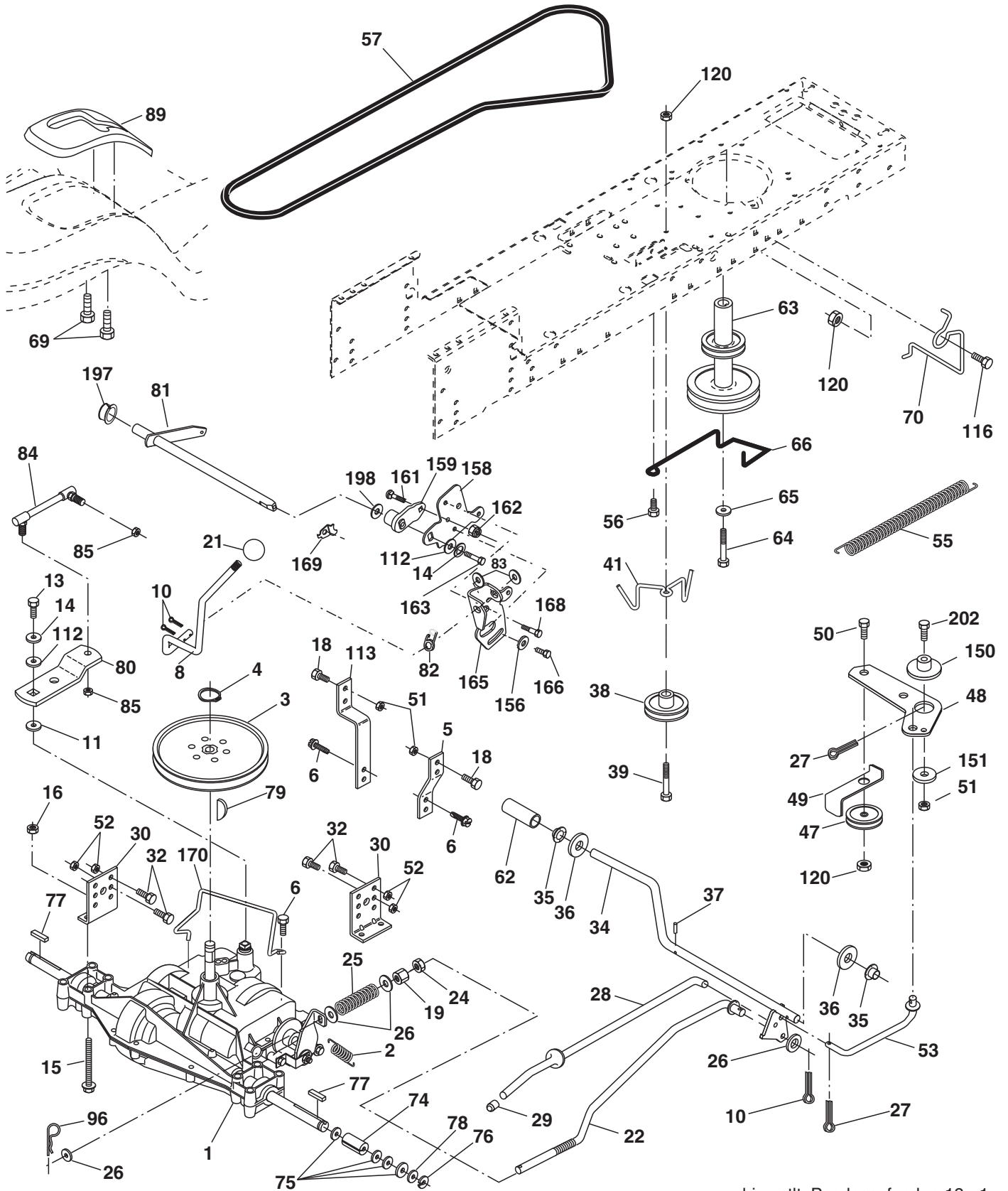
TRACTOR - MODEL NUMBER XT18542LT (96012010900), PRODUCT NO. 960 12 01-09
CHASSIS

KEY NO.	PART NO.	DESCRIPTION
1	174619	Chassis
2	176554	Drawbar, Stretch
5	155272	Bumper, Hood/Dash
9	428394X010	Dash
10	72140608	Bolt, Carriage 3/8-16 x 1
11	428397	Panel Dash LH
13	428504X010	Panel Silkscr Dash RH
17	187559X505	Hood
18	184921	Bumper Hood
24	74780616	Bolt Fin Hex 3/8-16 unc x 1 Gr. 5
25	19131312	Washer 13/32 x 13/16 x 12 Ga.
26	73800600	Nut Lock Hex w/Ins 3/8-16 unc
28	187565X428	Grille
29	187567X599	Lens Grille Bar
30	192528X505	Fender
31	136619	Bracket Fender Repl 109873X
33	179716	Footrest Pnt LH
34	179717	Footrest Pnt RH
35	72110606	Bolt Rdhd Sht Sqnk 3/8-16 x 3/4
37	17490508	Screw Thdrol 5/16-18 x 1/2 TYT
38	175710	Bracket Asm. Pivot Mower
39	187568	Bracket Pivot
64	154798	Dash Lower
142	175702	Plate Reinforcement
145	409167	Rod Pivot Chassis/Hood
159	169473X428	Cupholder
205	17490608	Screw Thdrol 3/8-16 x 1/2
207	17670508	Screw 5/16-18 x 1/2
208	17670608	Screw Thdrol 3/8-16 x 1/2
209	17000612	Screw Hex Wsh Thdrol 3/8-16
212	187569	Insert Lens Reflect
278	416358	Screw #10 x 0.750 BOS Thread
---	5479J	Plug Button Blk 359 Dia Choke
--	187801	Plug Dome Plastic

NOTE: All component dimensions given in U.S. inches
1 inch = 25.4 mm.

REPAIR PARTS

TRACTOR - MODEL NUMBER XT18542LT (96012010900), PRODUCT NO. 960 12 01-09
DRIVE



drive-stlt_Peerless_fender_13_r1

REPAIR PARTS

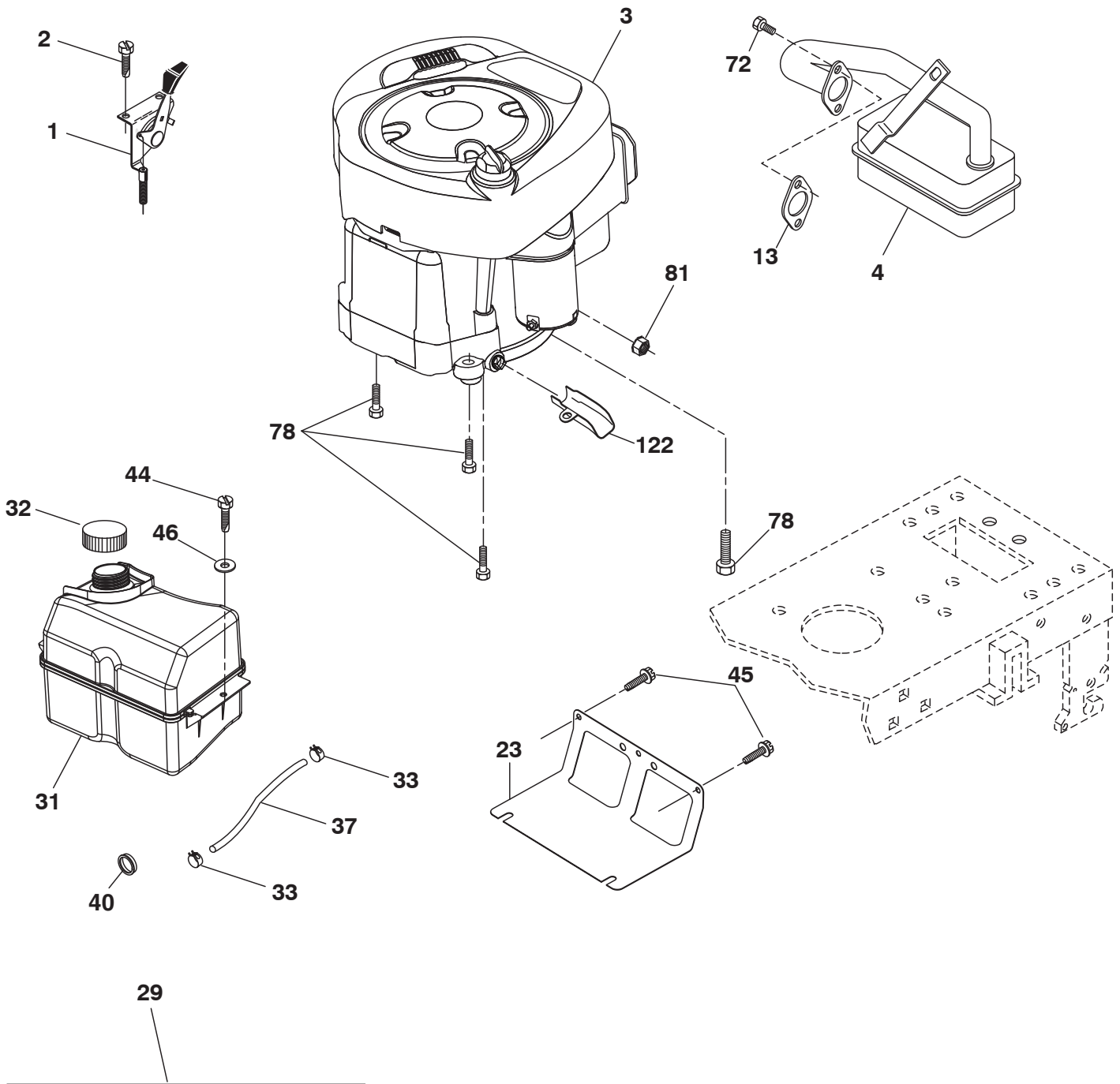
TRACTOR - MODEL NUMBER XT18542LT (96012010900), PRODUCT NO. 960 12 01-09
DRIVE

KEY NO.	PART NO.	DESCRIPTION	KEY NO.	PART NO.	DESCRIPTION
1	-----	Transaxle Peerless 206-545C	65	10040700	Washer Lock Hvy Hlcl Spr 7/16
2	146682	Spring Return Brake T/a Zinc	66	154778	Keeper Belt Engine Foolproof
3	123666X	Pulley Transaxle 18" Tires	69	142432	Screw Hex wsh HiLo 1/4 x 1/2 unc
4	12000028	Ring Retainer # 5100-62	70	134683	Guide Belt Mower Drive RH
5	121520X	Strap Torque 30 Degrees	74	137057	Spacer Axle
6	17060512	Screw 5/16-18 x 3/4	75	121749X	Washer 25/32 x 1 1/4 x 16 Ga.
8	192706	Rod Shift Fender Adjust Lt	76	12000001	E-ring #5133-75
10	76020416	Pin Cotter 1/8 x 1 Cad	77	123583X	Key Square 2 0 x 1845/ 1865
11	105701X	Washer Plate Shf 388 Sq Hole	78	121748X	Washer 25/32 x 1-5/8 x 16 Ga.
13	74550412	Bolt 1/4-28 unf Gr. 8 w/Patch	79	2228M	Key Woodruff #9 3/16 x 3/4
14	10040400	Washer Lock Hvy Helical	80	131486	Arm Shift
15	74490544	Bolt Hex FLGHD 5/16-18 Gr. 5	81	165594	Shaft Asm Cross Tapered PMST/20
16	73800500	Nut Lock Hex w/ins 5/16-18	82	165711	Spring Torsion T/a
18	74780616	Bolt, Fin Hex 3/8-16 unc x 1 Gr. 5	83	19171216	Washer 17/32 x 3/4 x 16 Ga.
19	73800600	Nut Lock 3/8-16 unc	84	166228	Link Transaxle
21	106933X	Knob	85	150360	Nut Lock Center 1/4 - 28 FNTHD
22	130804	Rod Brake Blk Zinc 26 840	89	192053X428	Console Shift STLT
24	73350600	Nut Hex Jam 3/8-16 unc	96	4497H	Retainer Spring 1"
25	106888X	Spring Rod Brake 2 00 Zinc	112	19091210	Washer 9/32 x 3/4 x 10 Ga.
26	19131316	Washer 13/32 x 13/16 x 16 Ga.	113	127285X	Strap Torque LT
27	76020412	Pin Cotter 1/8 x 3/4 Cad	116	72140608	Bolt Rdhd Sq Neck 3/8-16 x 1
28	175765	Rod Brake Parking LT/YT	120	73900600	Nut Lock Fig. 3/8-16 unc
29	124236X	Cap Brake Parking Red	150	175456	Spacer Retainer
30	174973	Bracket Mtg Transaxle	151	19133210	Washer 13/32 x 2 x 10
32	74760512	Bolt Hex Hd 5/16-18 unc x 3/4	156	166002	Washer Srrted 5/16ID x 1.125
34	175578	Shaft Asm Pedal Foot	158	165589	Bracket Shift Mount
35	120183X	Bearing Nylon Blk 629 Id	159	183900	Hub Tapered Flange Shift Lt
36	19211616	Washer 21/32 x 1 x 16 Ga.	161	72140406	Bolt Rdhd Sqnk 1/4-20 x 3/4
37	1572H	Pin Roll 3/16 x 1"	162	73680400	Nut Crownlock 1/4-20 unc
38	179114	Pulley Composite Flat	163	74780416	Bolt Hex Fin 1/4-20 unc x 1 Gr. 5
39	72110622	Bolt RDHD 3/8-16 unc x 2-3/4 Gr. 5	165	165623	Bracket Pivot Lever
41	175556	Keeper Belt Flat Idler	166	17490510	Screw 5/16-18 x 5/8
47	127783	Pulley Idler V Groove Plastic	168	165492	Bolt Shoulder 5/16-18 x .561
48	154407	Bellcrank Asm	169	165580	Plate Fastening
49	123205X	Retainer Belt Style Spring	170	187414	Keeper Belt Transaxle Gear
50	72110612	Bolt Carr. Sh. 3/8-16 x 1-1/2 Gr. 5	197	169613	Nyliner Snap-In
51	73680600	Nut Crownlock 3/8-16 unc	198	169593	Washer Nyliner
52	73680500	Nut Crownlock 5/16-18 unc	202	72110614	Bolt RdHd 3/8-16 unc x 1-3/4 Gr. 5
53	199652	Link Clutch			
55	105709X	Spring Return Clutch 6 75			
56	17060620	Screw 3/8-16 x 1-1/4			
57	138255	V-Belt Ground Drive			
62	8883R	Cover Pedal Blk Round			
63	175410	Engine Pulley			
64	173937	Bolt Hex			

NOTE: All component dimensions given in U.S. inches
1 inch = 25.4 mm

REPAIR PARTS

TRACTOR - MODEL NUMBER XT18542LT (96012010900), PRODUCT NO. 960 12 01-09
ENGINE



OPTIONAL EQUIPMENT
Spark Arrester

engine-stlt_bs_15_r1

REPAIR PARTS

TRACTOR - MODEL NUMBER XT18542LT (96012010900), PRODUCT NO. 960 12 01-09
ENGINE

KEY NO.	PART NO.	DESCRIPTION
1	170551	Control Th/ch Flag
2	17720408	Screw Hex Thd Cut 1/4-20 x 1/2
3	-----	Engine, B&S 31N707-1374-B1
4	137352	Muffler Exhaust B&S
13	165291	Gasket Eng 1 313 Id Tin Plated
23	169837	Shield BRN/DBR Guard
29	137180	Kit Spark Arrestor (Flat Scrn)
31	407545	Tank Fuel Front
32	430220	Cap Asm Fuel
33	123487X	Clamp Hose
37	401137	Line Fuel
40	124028X	Bushing Snap Nyl Blk Fuel Line
44	17670412	Screw Thdrol 1/4-20 x 3/4
45	17000612	Screw Hex Wsh Thdrol 3/8-16
46	19091416	Washer 9/32 x 7/8 x 16 Ga.
72	192334	Screw Socket Head 5/16-18 x 3/4
78	17060620	Screw 3/8-16 x 1-1/4
81	73510400	Nut Keps Hex 1/4-20 unc
122	421922	Extension Drain Oil

NOTE: All component dimensions given in U.S. inches
1 inch = 25.4 mm

For engine service and replacement parts, call the toll free number for your engine manufacturer listed below:

Briggs & Stratton 1-800-233-3723

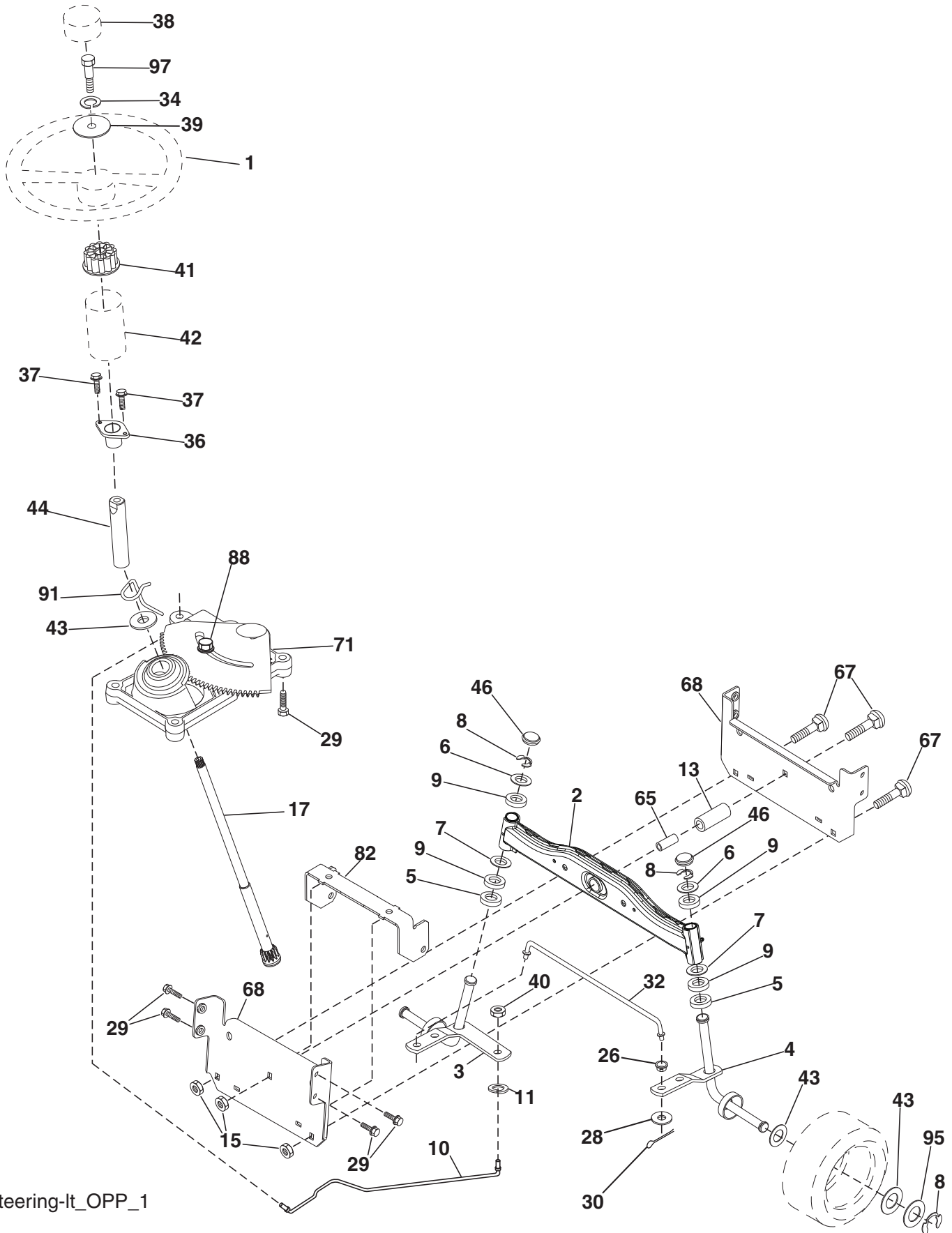
Engine Power Rating Information

The gross power rating for individual gas engine models is labeled in accordance with SAE (Society of Automotive Engineers) code J1940 (Small Engine Power & Torque Rating Procedure), and rating performance has been obtained and corrected in accordance with SAE J1995 (Revision 2002-05). Torque values are derived at 3060 RPM; horsepower values are derived at 3600 RPM. Actual gross engine power will be lower and is affected by, among other things, ambient operating conditions and engine-to-engine variability. Given both the wide array of products on which engines are placed and the variety of environmental issues applicable to operating the equipment, the gas engine will not develop the rated gross power when used in a given piece of power equipment (actual "on-site" or net power). This difference is due to a variety of factors including, but not limited to, accessories (air cleaner, exhaust, charging, cooling, carburetor, fuel pump, etc.), application limitations, ambient operating conditions (temperature, humidity, altitude), and engine-to-engine variability. Due to manufacturing and capacity limitations, Briggs & Stratton may substitute an engine of higher rated power for this Series engine.

REPAIR PARTS

TRACTOR - MODEL NUMBER XT18542LT (96012010900), PRODUCT NO. 960 12 01-09

STEERING



Steering-It_OPP_1

REPAIR PARTS

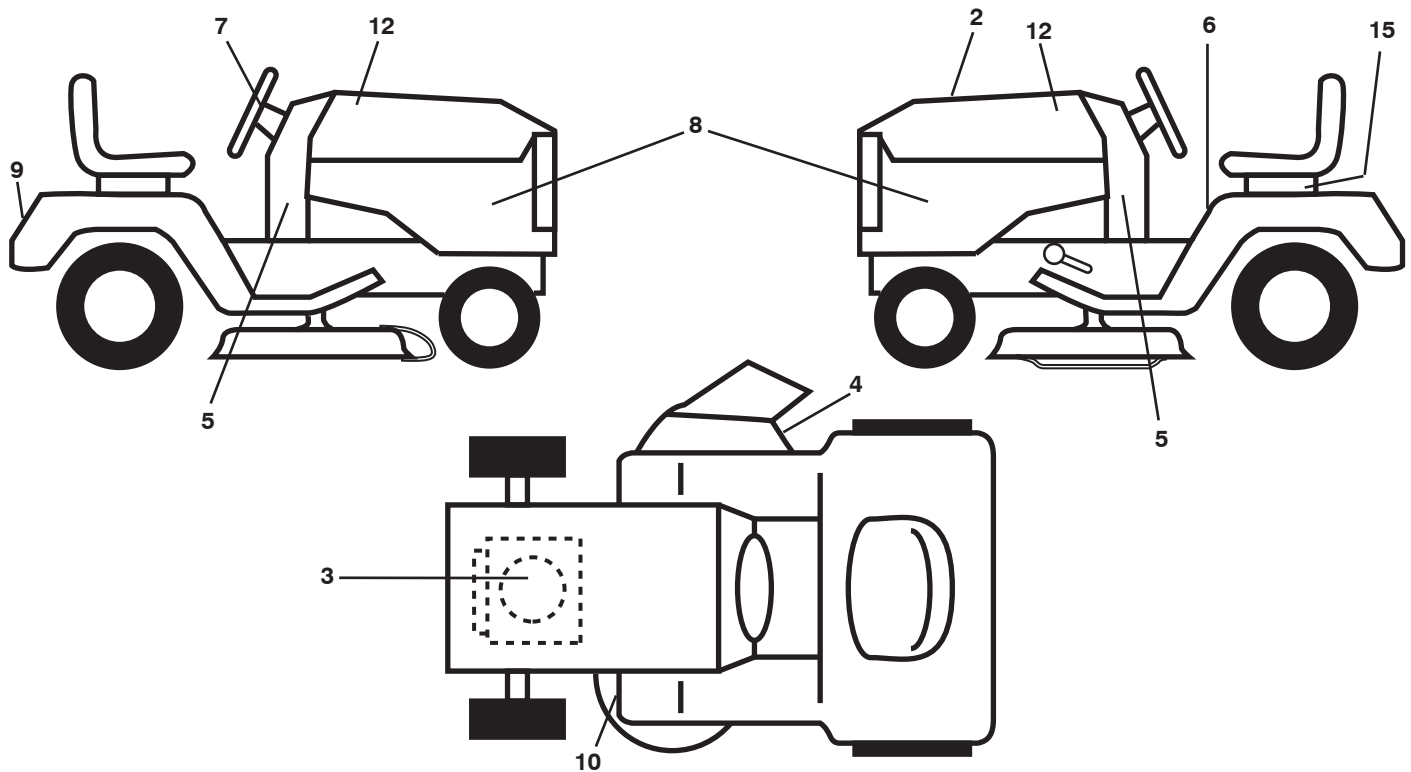
TRACTOR - MODEL NUMBER XT18542LT (96012010900), PRODUCT NO. 960 12 01-09
STEERING

KEY NO.	PART NO.	DESCRIPTION
1	414803X428	Wheel Steering
2	418168	Axle Asm
3	169840	Spindle Asm LH
4	169839	Spindle Asm RH
5	6266H	Bearing Race Thrust Harden
6	121748X	Washer 25/32 x 1-5/8 x 16 Ga.
7	19272016	Washer 27/32 x 1-1/4 x 16 Ga.
8	12000029	Ring Klip #t5304-75
9	3366R	Bearing Col Strg Blk
10	175121	Link Drag
11	10040600	Washer Lock Hvy Hlcl Spr 3/8
13	136518	Spacer Brace Axle
15	73900600	Lock Nut
17	411386	Shaft Asm Strg
26	126847X	Bushing Link Drag Blk LR
28	19131416	Washer 13/32 x 7/8 x 16 Ga.
29	17000612	Screw 3/8-16 x 3/4
30	76020412	Pin Cotter 11/32 ID x 2 3/8 OD x 12 Ga.
32	192757	Rod Tie Wire Form 19 75 Mech
34	10040500	Washer Lock 5/16
36	155099	Bushing Strg 5/8 Id Dash
37	152927	Screw
38	414854X428	Cap Wheel Steer
39	19113812	Washer 11/32 x 2 3/8 OD x 12 Ga.
40	73540600	Nut Crownlock 3/8-24
41	186737	Adaptor Wheel Strg
42	145054X428	Boot Dash Mtl Steering Blk
43	121749X	Washer 25/32 x 1 1/4 x 16 Ga.
44	190752	Extension Steering
46	121232X	Cap Spindle Fr Top Blk
65	414736	Spacer Brace Axle
67	72110618	Bolt RDHD SQNK 3/8-16 x 2-1/4
68	169827	Brace Axle
71	175146	Steering Asm.
82	199978	Bracket Susp Chassis Front
88	175118	Bolt Shoulder 7/16-20
91	175553	Clip Steering
95	188967	Washer Harden .793 x 1.637 x 060
97	428982	Bolt 5/16-18 x 4 w/patch

NOTE: All component dimensions given in U.S. inches
1 inch = 25.4 mm.

REPAIR PARTS

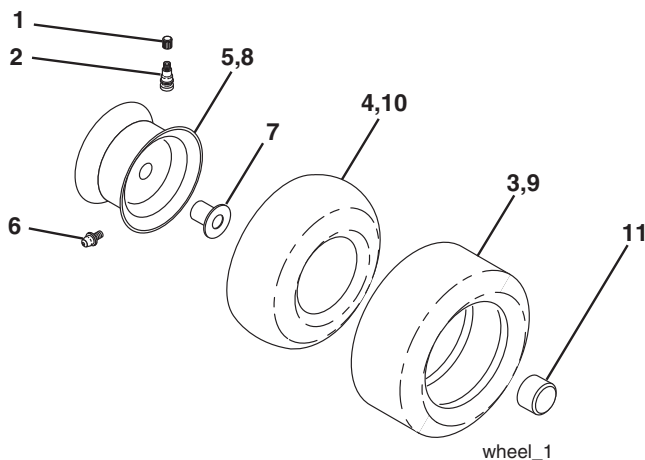
TRACTOR - MODEL NUMBER XT18542LT (96012010900), PRODUCT NO. 960 12 01-09
DECALS



KEY NO.	PART NO.	DESCRIPTION
2	194691	Decal, Replacement
3	431093	Decal, Engine HP
4	170563	Decal, Warning
5	402436	Decal, Dash Lower
6	411658	Decal, Fender Warning (E&F)
7	427141	Decal, Ins Str Wh
8	427486	Decal, Side Panel
9	196674	Decal, Fender
10	160396	Decal, V-Belt Sch.

KEY NO.	PART NO.	DESCRIPTION
12	433824	Decal, Hood RH/LH
15	145005	Decal, Caution, Battery
--	179769X428	Pad Footrest RH
--	179768X428	Pad Footrest LH
--	138311	Decal, Handle Lft Height Adj.
--	433507	Manual, Operator's, English & French
--	433509	Manual, Parts, English & French
--	433508	Manual, Operator's Spanish

WHEELS & TIRES

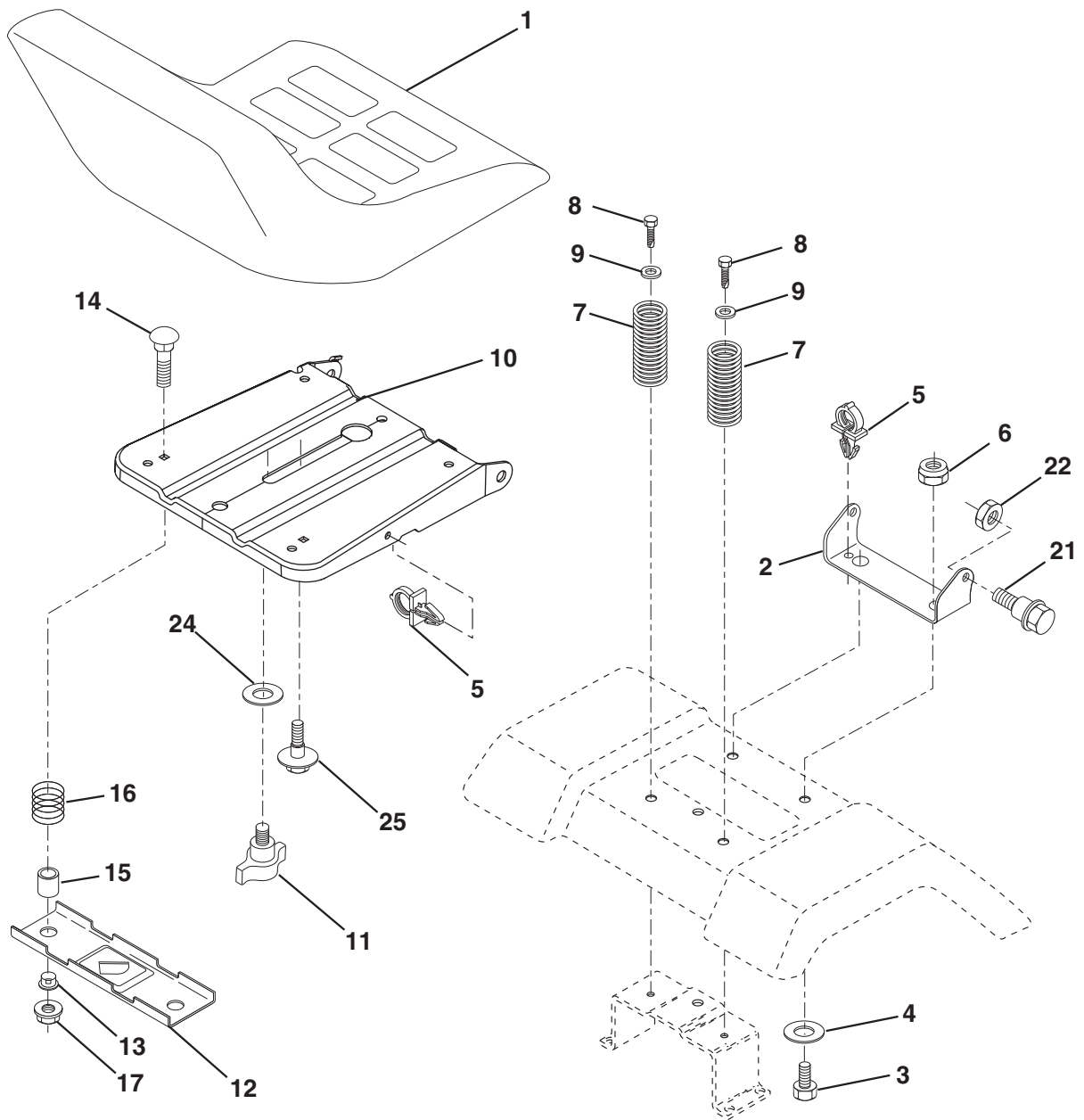


KEY NO.	PART NO.	DESCRIPTION
1	59192	Cap, Tire Valve
2	65139	Stem, Valve
3	106222X	Tire, Front
4	59904	Tube, Front (Service item only)
5	106732X471	Rim Assembly, 6" Front
6	278H	Fitting, Grease (Front wheel only)
7	9040H	Bearing, Flange (Front wheel only)
8	106108X471	Rim Assembly, 8" Rear
9	420531	Tire, Rear
10	7152J	Tube, Rear (Service item only)
11	104757X428	Cap, Hub Axle
--	144334	Sealant, Tire (10 oz. Tube)

NOTE: All component dimensions given in U.S. inches
1 inch = 25.4 mm

REPAIR PARTS

TRACTOR - MODEL NUMBER XT18542LT (96012010900), PRODUCT NO. 960 12 01-09
SEAT



seat-stlt_knob_1

KEY NO.	PART NO.	DESCRIPTION
1	188712	Seat
2	140551	Bracket Seat Pivot
3	71110616	Bolt Hex 3/8 - 16 x 1
4	19131610	Washer 13/32 x 1 x10 Ga.
5	145006	Clip Push-In Hinged
6	73800600	Nut Lock Hex w/Ins 3/8 - 16
7	124181X	Spring Seat Cprsn 2 250 Blk Zi
8	17000616	Screw 3/8-16 x 1.5
9	19131614	Washer 13/32 x 1 x 14 Ga.
10	195530	Pan Pnt Seat
11	166369	Knob Seat
12	174648	Bracket Pnt Mounting Switch
13	121248X	Bushing Snap Blk Nyl

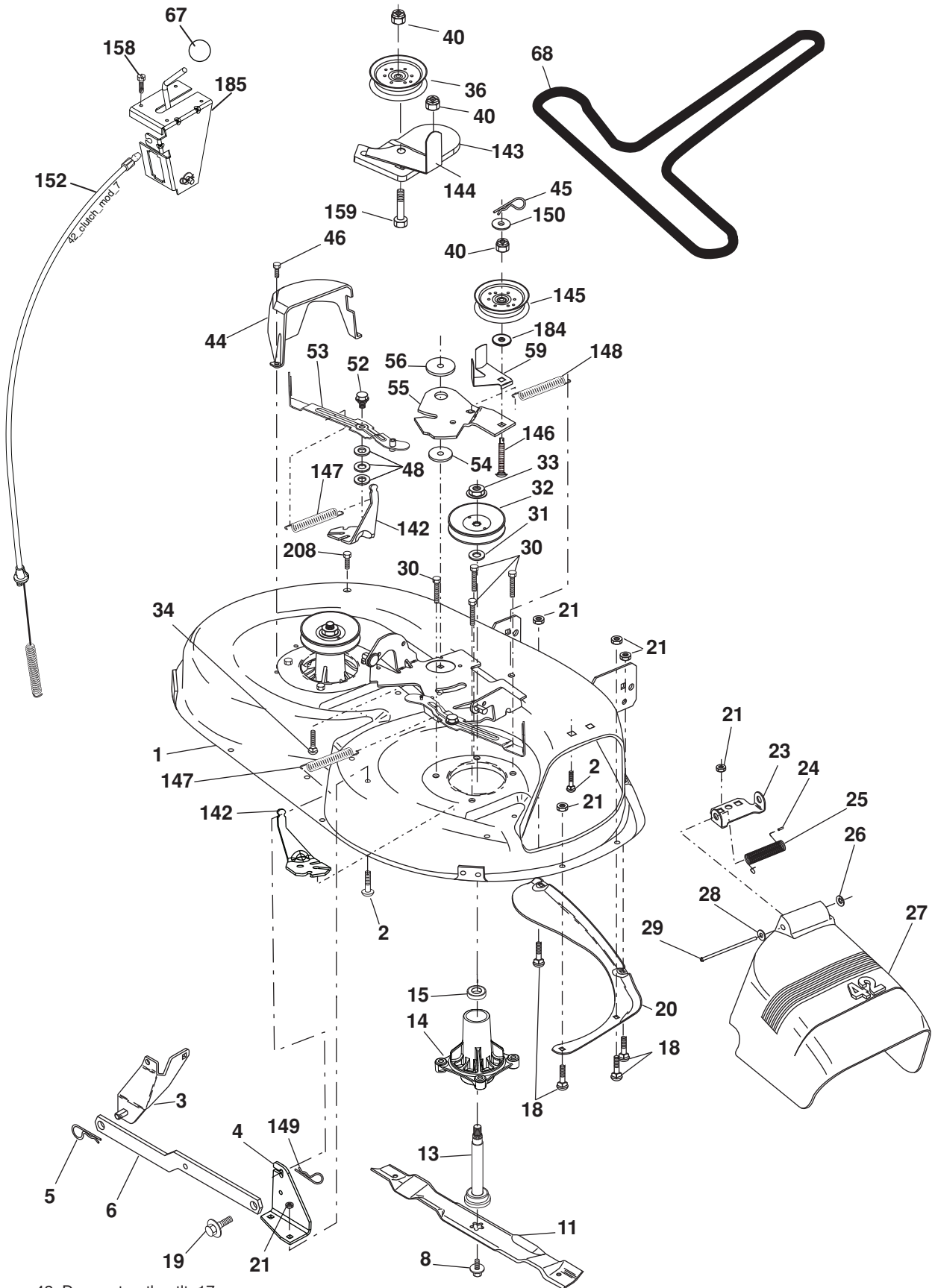
KEY NO.	PART NO.	DESCRIPTION
14	72050412	Bolt Rdhd Sht Nk 1/4 - 20 x 1 -1/2
15	134300	Spacer Split .28 x .96
16	121250X	Spring Cprsn
17	123976X	Nut Lock 1/4 Lge Flg
21	171852	Bolt Shoulder 5/16-18 unc-2A
22	73800500	Nut Lock Hex w/Ins 5/16 - 18
24	19171912	Washer 17/32 x 1-3/16 x 12 Ga.
25	127018X	Bolt Shoulder 5/16-18 x .62

NOTE: All component dimensions given in U.S. inches
1 inch = 25.4 mm.

REPAIR PARTS

TRACTOR - MODEL NUMBER XT18542LT (96012010900), PRODUCT NO. 960 12 01-09

MOWER DECK



42_D_man-t-path_stlt_17

REPAIR PARTS

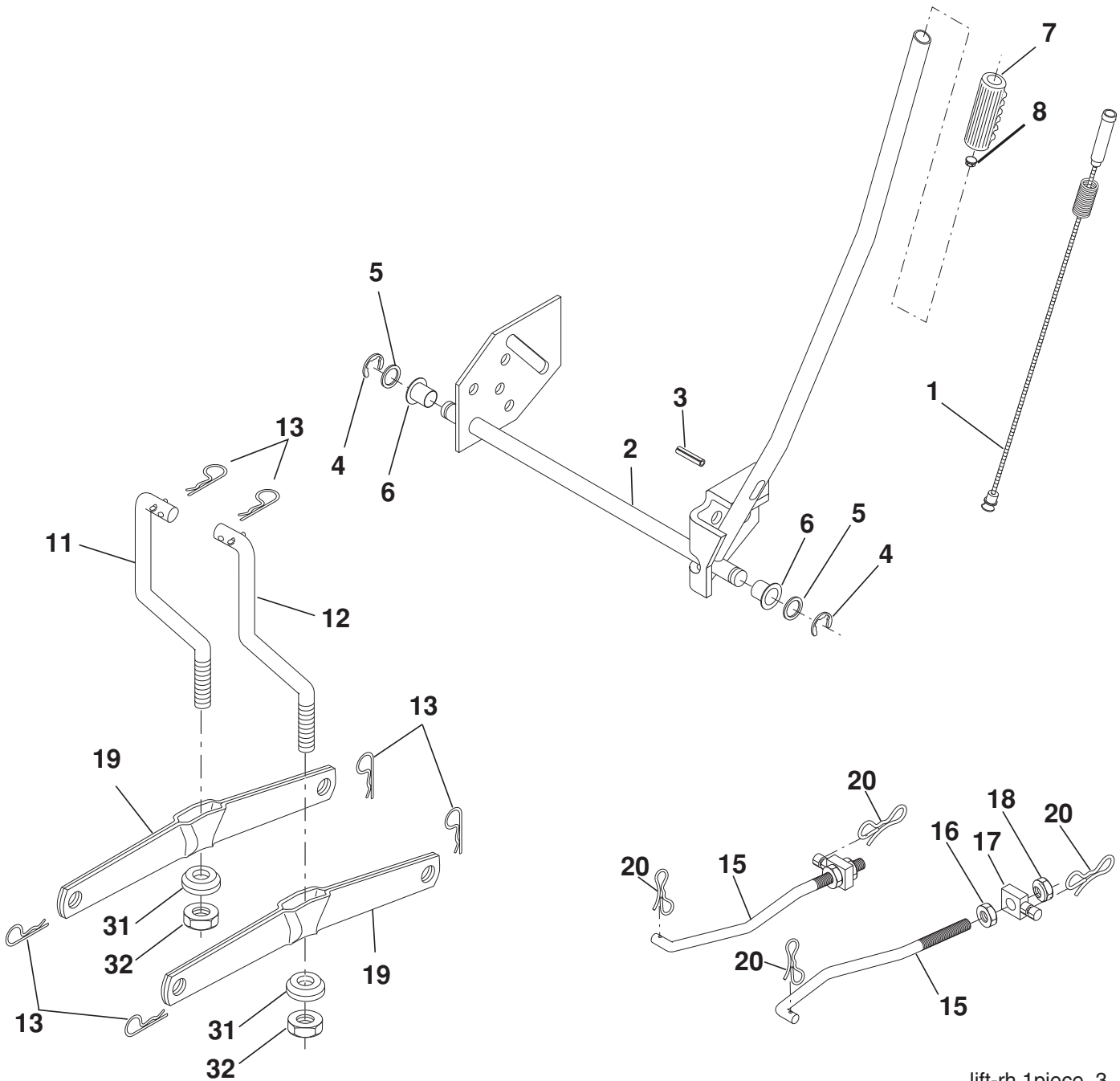
TRACTOR - MODEL NUMBER XT18542LT (96012010900), PRODUCT NO. 960 12 01-09
MOWER DECK

KEY NO.	PART NO.	DESCRIPTION	KEY NO.	PART NO.	DESCRIPTION
1	165892	Mower Deck Assembly, 42"	45	4497H	Retainer
2	72140506	Bolt	46	137729	Screw, Thdrol 1/4-20 x 5/8 T
3	138017	Bracket Asm Fr. Sway Bar 3/42	48	133944	Washer, Hardened
4	165460	Bracket Asm Deck 42" Sway Bar	52	139888	Bolt, Shoulder 5/16-18 unc
5	4939M	Retainer Spring	53	184907	Arm Assembly, Pad, Brake
6	178024	Bar Sway Deck	54	178515	Washer, Hardened
8	193003	Bolt/Washer Asm. 7/16-20 unf (The following Blades are available)	55	155046	Arm, Idler
11	138971	Blade Mower 42" Hi-Lift (for bagging and discharging)	56	165723	Spacer, Retainer
--	134149	Blade, Mulching 42" Std (for mulching mowers only)	59	141043	Guard TUV Idler
--	139775	Blade Mulching 42" Premium (For better wear when mulching)	67	106932X	Knob Round
13	192872	Shaft Asm. Mandrel	68	144959	V-Belt, 42" Mower
14	187281	Housing Mandrel	142	195784	Anchor Spring Brake Mower
15	110485X	Bearing, Ball, Mandrel	143	157109	Bracket Arm Idler 42"
18	72140505	Bolt, Carriage 5/16-18 x 5/8	144	158634	Keeper Belt 42" Clutch Cable
19	132827	Bolt, Shoulder	145	165888	Pulley Idler Flat
20	159770	Baffle, Vortex	146	171977	Bolt Carriage Idler
21	73680500	Nut	147	131335	Spring Extension
23	177563	Bracket, Deflector Mower 42"	148	169022	Spring Return Idler
24	105304X	Cap, Sleeve 80 x 112 Blk Mower	149	165898	Retainer Spring Yellow
25	123713X	Spring, Torsion, Deflector 2 52	150	19091210	Washer 9/32 x 3/4 x 10 Ga.
26	110452X	Nut, Push Phos & Oil	152	169676	Clutch Cable 42"
27	130968X428	Shield, Deflector 42" Blk	158	17720408	Screw Hex Thd Cut 1/4-20 x 1/2
28	19111016	Washer 11/32 x 5/8 x 16 Ga.	159	72140614	Bolt Rdhd Sqn 3/8-16 unc x 1-3/4
29	131491	Rod, Hinge 42" 6 75 w/G	184	19131410	Washer 13/32 x 7/8 x 10 Ga.
30	173984	Screw Thdrol	185	188234	Head Asm Cable Clutch
31	187690	Washer, Spacer Mower Vented	208	17670608	Screw 3/8-16 x 1/2
32	153535	Pulley, Mandrel	--	192870	Mandrel Assembly (Includes housing, shaft assembly, and bearing only - pulley/nut/washer and blade bolt/washers not included)
33	400234	Nut, Toplock	--	418031	Replacement Mower, Complete
34	72110612	Bolt Carr SH 3/8-16 x 1-1/2 Gr.5			
36	131494	Pulley, Idler, Flat			
40	73900600	Nut Lock 3/8-16			
44	140088	Guard, Mandrel, LH			

NOTE: All component dimensions given in U.S. inches
1 inch = 25.4 mm

REPAIR PARTS

TRACTOR - MODEL NUMBER XT18542LT (96012010900), PRODUCT NO. 960 12 01-09
MOWER LIFT



lift-rh.1piece_3

KEY NO.	PART NO.	DESCRIPTION
1	404981	Plunger Asm Lift Lever
2	159471	Shaft Asm Lift RH
3	105767X	Pin Groove 1 500 Zinc
4	12000002	E Ring #5133-62
5	19211621	Washer 21/32 x 1 x 21 Ga.
6	120183X	Bearing Nylon Blk 629 Id
7	109413X	Grip Handle
8	122365X	Button Plunger Red
11	139865	Link Lift LH Fixed Length
12	139866	Link Lift RH Fixed Length
13	4939M	Retainer Spring

KEY NO.	PART NO.	DESCRIPTION
15	173288	Link Front
16	73350800	Nut Jam Hex 1/2-13 unc
17	175689	Trunnion
18	73800800	Nut Lock w/Wsh 1/2-13 unc
19	139868	Arm Suspension Rear
20	194209	Pin Cotter 7/16 Bow Tie Lock
31	169865	Bearing Pvt Lift
32	73540600	Nut Crownlock 3/8-24

NOTE: All component dimensions given in U.S. inches
1 inch = 25.4 mm.

SERVICE NOTES

LIMITED WARRANTY

The Manufacturer warrants to the original consumer purchaser that this product as manufactured is free from defects in materials and workmanship. For a period of two (2) years from date of purchase by the original consumer purchaser, we will repair or replace, at our option, without charge for parts or labor incurred in replacing parts, any part which we find to be defective due to materials or workmanship. This Warranty is subject to the following limitations and exclusions.

1. This warranty does not apply to the engine, transaxle/transmission components, battery (except as noted below) or components parts thereof. Please refer to the applicable manufacturer's warranty on these items.
2. Transportation charges for the movement of any power equipment unit or attachment are the responsibility of the purchaser. Transportation charges for any parts submitted for replacement under this warranty must be paid by the purchaser unless such return is requested by the manufacturer.
3. Battery Warranty: On products equipped with a Battery, we will replace, without charge to you, any battery which we find to be defective in manufacture, during the first ninety (90) days of ownership. After ninety (90) days, we will exchange the Battery, charging you 1/12 of the price of a new Battery for each full month from the date of the original sale. Battery must be maintained in accordance with the instructions furnished.
4. The Warranty period for any products used for rental or commercial purposes is limited to 90 days from the date of original purchase.
5. This Warranty applies only to products which have been properly assembled, adjusted, operated, and maintained in accordance with the instructions furnished. This Warranty does not apply to any product which has been subjected to alteration, misuse, abuse, improper assembly or installation, delivery damage, or to normal wear of the product.
6. Exclusions: Excluded from this Warranty are belts, blades, blade adapters, normal wear, normal adjustments, standard hardware and normal maintenance.
7. In the event you have a claim under this Warranty, you must return the product to an authorized service dealer.

Should you have any unanswered questions concerning this Warranty, please contact:

HOP
Outdoor Products Customer Service Dept.
1030 Stevens Creek Road
Augusta, GA 30907 USA

In Canada contact:
HOP
5855 Terry Fox Way
Mississauga, Ontario
L5V 3E4

giving the model number, serial number and date of purchase of your product and the name and address of the authorized dealer from whom it was purchased.

THIS WARRANTY DOES NOT APPLY TO INCIDENTAL OR CONSEQUENTIAL DAMAGES AND ANY IMPLIED WARRANTIES ARE LIMITED TO THE SAME TIME PERIODS STATED HEREIN FOR OUR EXPRESSED WARRANTIES. Some areas do not allow the limitation of consequential damages or limitations of how long an implied Warranty may last, so the above limitations or exclusions may not apply to you. This Warranty gives you specific legal rights, and you may have other rights which vary from locale to locale.

This is a limited Warranty within the meaning of that term as defined in the Magnuson-Moss Act of 1975.