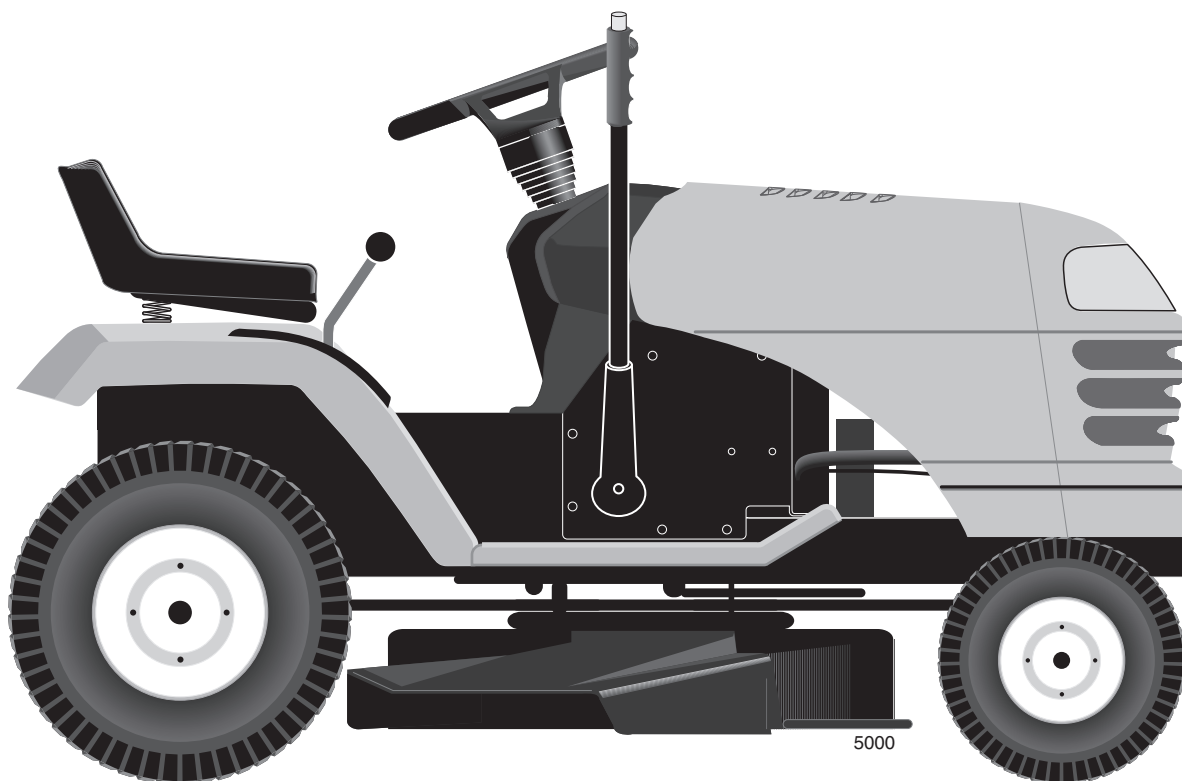


# Poulan



## REPAIR PARTS MANUAL

**MODEL:**

**PO14542LT**

**LAWN TRACTOR**

**ALWAYS WEAR EYE PROTECTION DURING OPERATION**

Visit our website: [www.poulan.com](http://www.poulan.com)

440627



### **WARNING:**

Read this Manual and follow all Warnings and Safety Instructions. Failure to do so can result in serious injury.

# HOW TO USE THIS MANUAL

This manual is designed to provide the customer with a means to identify the parts on his/her tractor when ordering repair parts. The illustrations may or may not represent the actual assemblies; therefore, it is not recommended to use this manual as a guide to assemble or disassemble the tractor. Some hardware and parts are drawn larger in order to more readily identify them.

Each tractor has its own model number.

The model number for your tractor can be found on the fender under the seat.

When ordering parts, always give the following information:

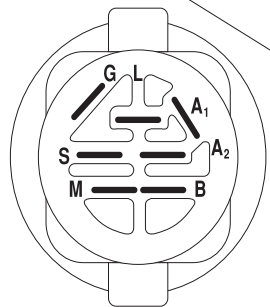
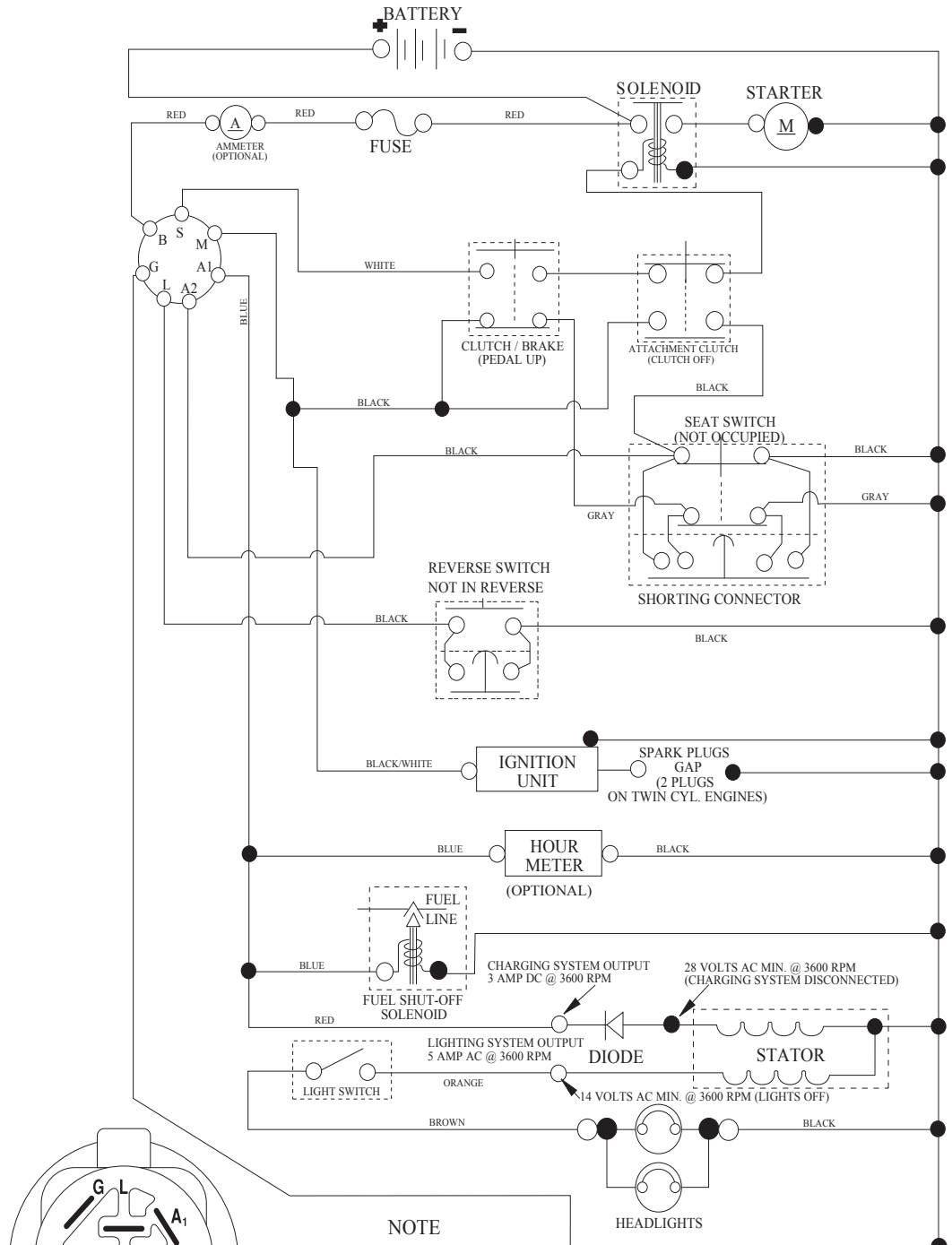
- Product - "TRACTOR"
- MODEL NUMBER - "PO14542LT (96012011900)"
- Part Number
- Part Description

## TABLE OF CONTENTS

|                  |       |
|------------------|-------|
| SCHEMATIC .....  | 3     |
| ELECTRICAL.....  | 4-5   |
| CHASSIS .....    | 6-7   |
| DRIVE.....       | 8-9   |
| ENGINE.....      | 10-11 |
| STEERING .....   | 12-13 |
| SEAT .....       | 14    |
| DECALS.....      | 15    |
| MOWER DECK ..... | 16-17 |
| MOWER LIFT.....  | 18    |
| WARRANTY.....    | 20    |

# TRACTOR - MODEL NUMBER PO14542LT (96012011900), PRODUCT NO. 960 12 01-19 SCHEMATIC

SCH03



IGNITION SWITCH

| POSITION     | CIRCUIT "MAKE" |
|--------------|----------------|
| OFF          | M+G+A1         |
| RUN/OVERRIDE | B+A1           |
| RUN          | B+A1 L+A2      |
| START        | B + S + A1     |

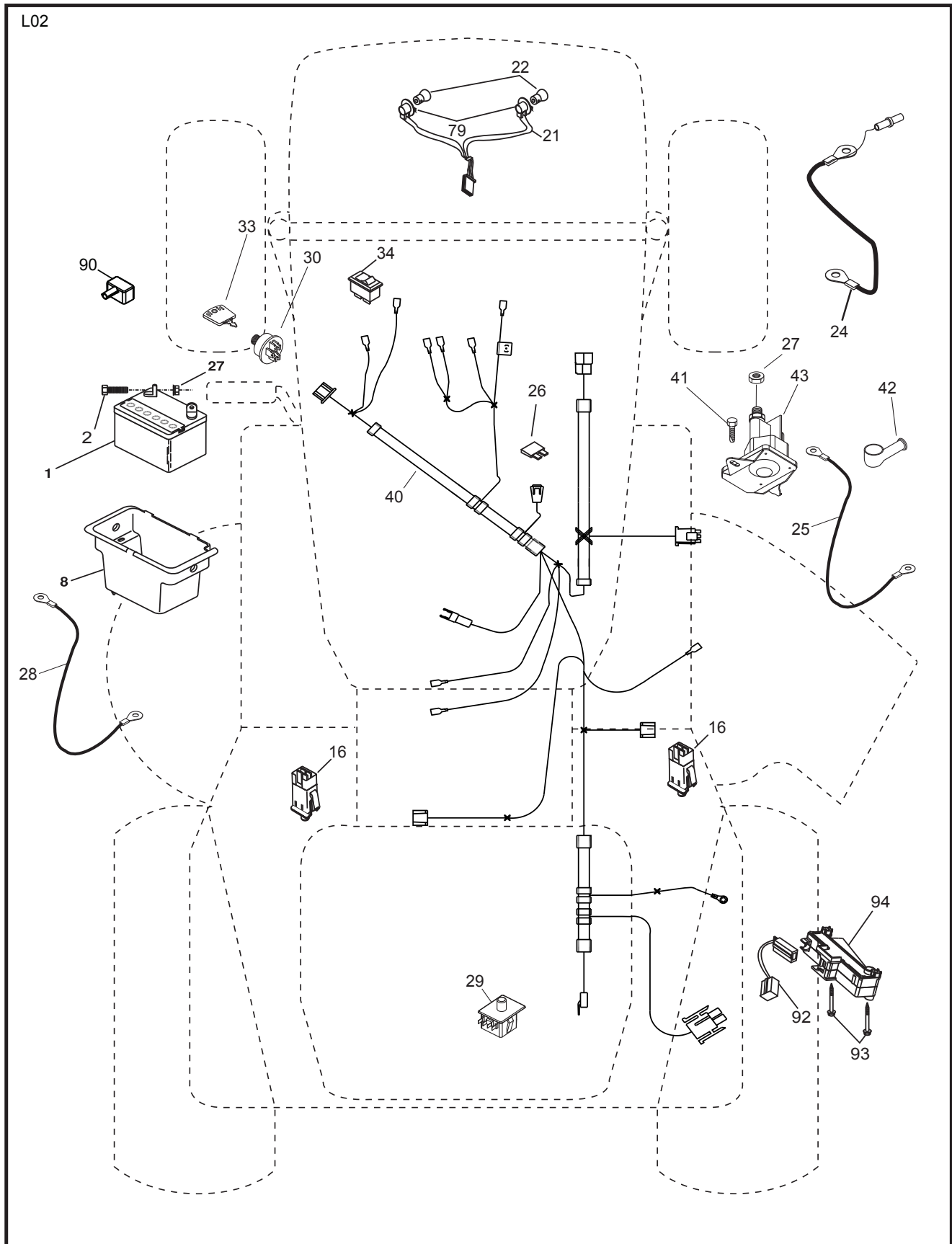
**NOTE**

YOUR TRACTOR IS EQUIPPED WITH A SPECIAL ALTERNATOR SYSTEM. THE LIGHTS ARE NOT CONNECTED TO THE BATTERY, BUT HAVE THEIR OWN ELECTRICAL SOURCE. BECAUSE OF THIS, THE BRIGHTNESS OF THE LIGHTS WILL CHANGE WITH ENGINE SPEED. AT IDLE THE LIGHTS WILL DIM. AS THE ENGINE IS SPEEDED UP, THE LIGHTS WILL BECOME THEIR BRIGHTEST.



WIRING INSULATED CLIPS  
NOTE: IF WIRING INSULATED CLIPS WERE REMOVED FOR SERVICING OF UNIT, THEY SHOULD BE RE-INSTALLED TO PROPERLY SECURE YOUR WIRING.

TRACTOR - MODEL NUMBER PO14542LT (96012011900), PRODUCT NO. 960 12 01-19  
ELECTRICAL

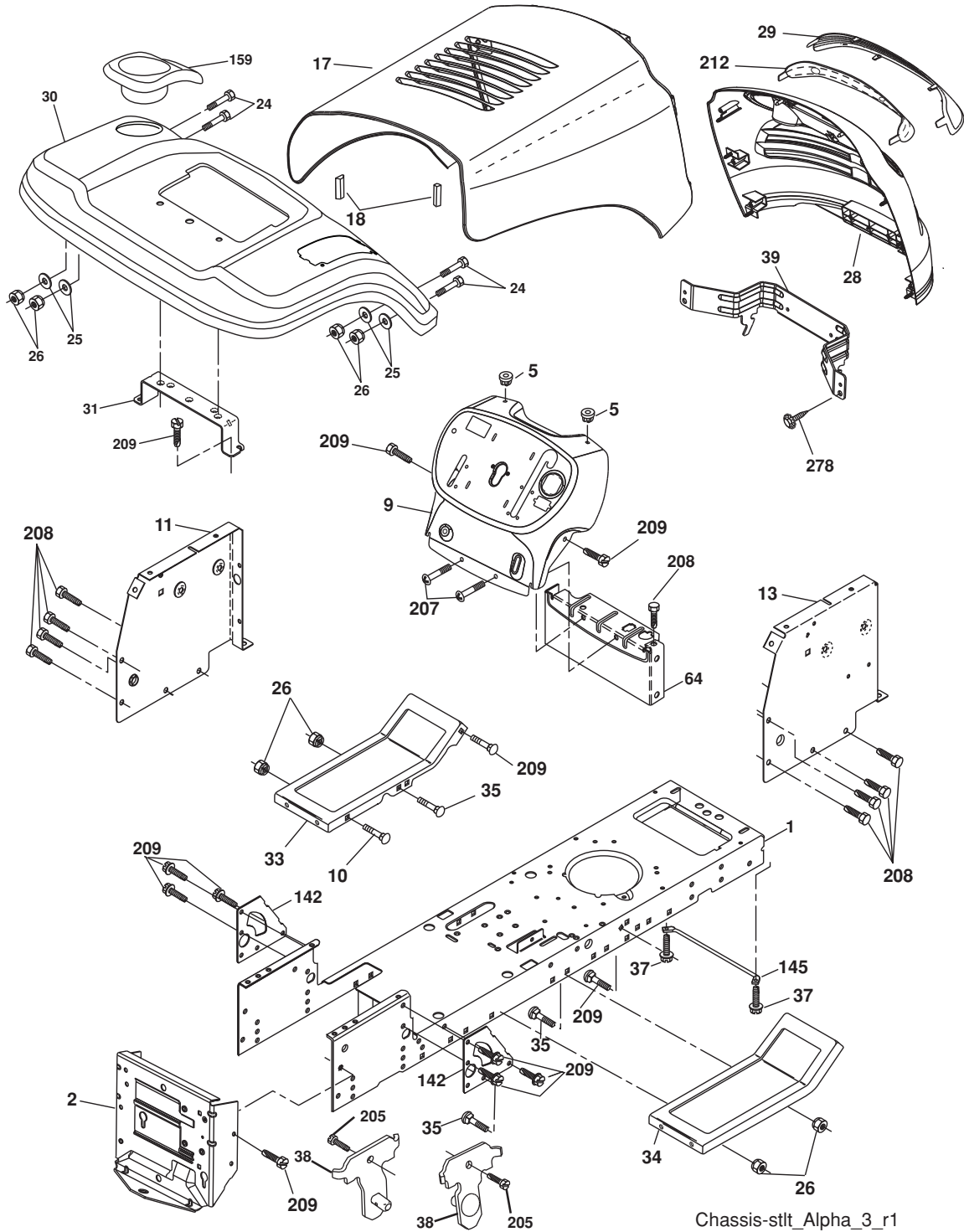


**TRACTOR - MODEL NUMBER PO14542LT (96012011900), PRODUCT NO. 960 12 01-19  
ELECTRICAL**

| <b>KEY NO.</b> | <b>PART NO.</b> | <b>DESCRIPTION</b>           |
|----------------|-----------------|------------------------------|
| 1              | 532 16 34-65    | Battery                      |
| 2              | 874 76 04-12    | Bolt Hex Hd 1/4-20 unc x 3/4 |
| 8              | 532 17 66-89    | Box Battery                  |
| 16             | 532 17 61-38    | Switch Interlock             |
| 21             | 532 17 56-88    | Harness Asm Light w/4152j    |
| 22             | 532 00 41-52    | Bulb Light #1156             |
| 24             | 532 42 12-97    | Cable Battery                |
| 25             | 532 42 12-99    | Cable Battery 6 Ga. 11" Red  |
| 26             | 532 17 51-58    | Fuse 20 AMP                  |
| 27             | 873 51 04-00    | Nut Keps Hex 1/4-20 unc      |
| 28             | 532 42 12-98    | Cable Ground 6 Ga. 12" Black |
| 29             | 532 19 27-49    | Switch Seat                  |
| 30             | 532 19 33-50    | Switch Ign                   |
| 33             | 532 41 19-33    | Key/Chain                    |
| 34             | 532 11 07-12    | Switch Light/Reset           |
| 40             | 532 19 74-28    | Harness Ign                  |
| 41             | 871 11 04-08    | Bolt Blk Fin Hex 1/4-20      |
| 42             | 532 13 15-63    | Cover Terminal Red           |
| 43             | 532 19 25-07    | Solenoid                     |
| 79             | 532 17 52-42    | Socket Asm. Bulb Twistlock   |
| 90             | 532 43 53-95    | Cover Terminal Battery       |
| 92             | 532 19 66-15    | Harness Pigtail              |
| 93             | 532 19 25-40    | Screw Plastite 10-14 x 2.0   |
| 94             | 532 19 18-34    | Module Reverse ROS           |

**NOTE:** All component dimensions given in U.S. inches  
1 inch = 25.4 mm.

**TRACTOR - MODEL NUMBER PO14542LT (96012011900), PRODUCT NO. 960 12 01-19  
CHASSIS**



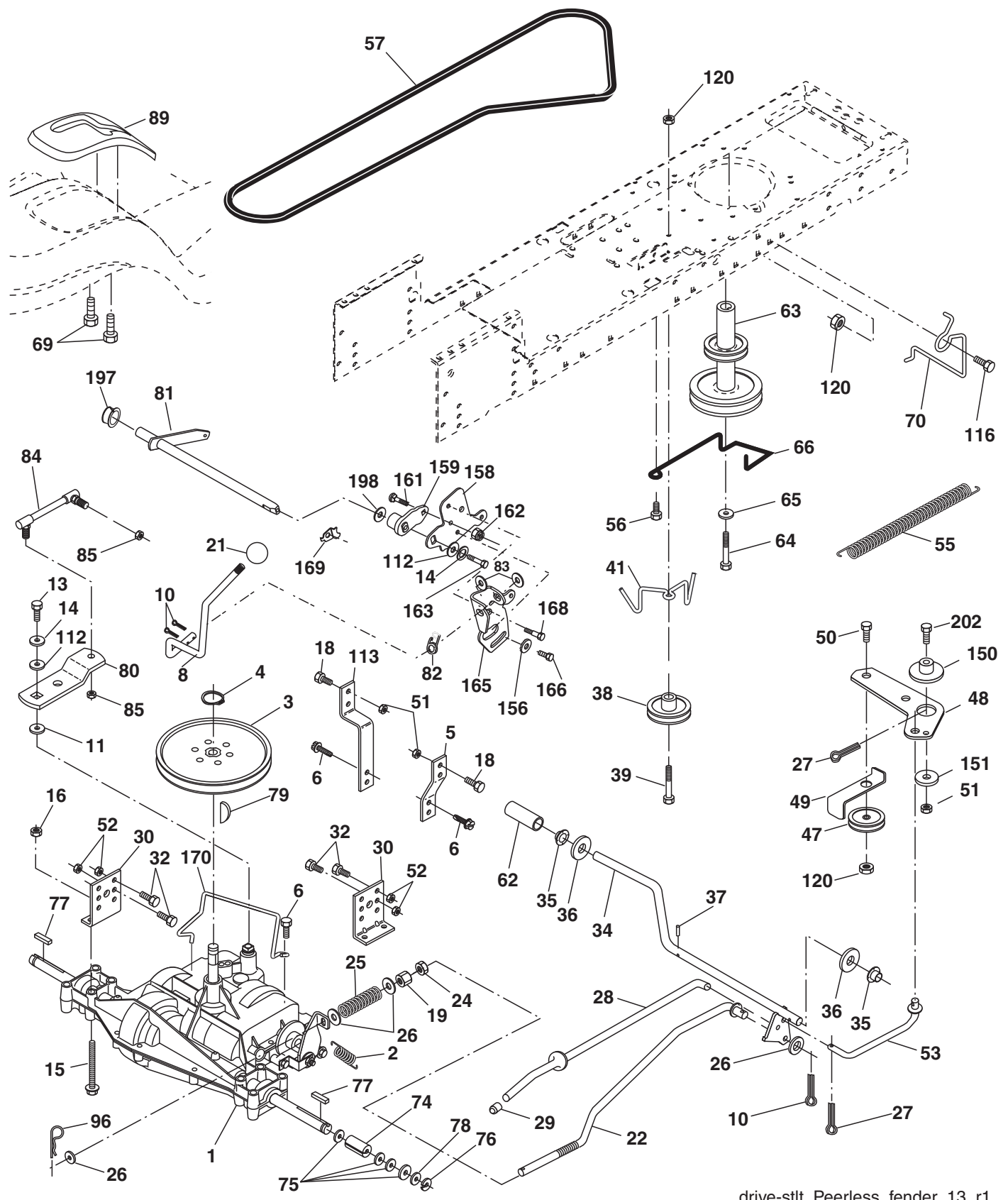
Chassis-stlt\_Alpha\_3\_r1

**TRACTOR - MODEL NUMBER PO14542LT (96012011900), PRODUCT NO. 960 12 01-19  
CHASSIS**

| <b>KEY NO.</b> | <b>PART NO.</b> | <b>DESCRIPTION</b>                |
|----------------|-----------------|-----------------------------------|
| 1              | 532 17 46-19    | Chassis                           |
| 2              | 532 17 65-54    | Drawbar, Stretch                  |
| 5              | 532 15 52-72    | Bumper, Hood/Dash                 |
| 9              | 532 42 83-94    | Dash                              |
| 10             | 872 14 06-08    | Bolt, Carriage 3/8-16 x 1         |
| 11             | 532 17 49-96    | Panel Dash LH                     |
| 13             | 532 17 51-49    | Panel Silkscr Dash RH             |
| 17             | 532 40 61-79    | Hood                              |
| 18             | 532 18 49-21    | Bumper Hood                       |
| 24             | 874 78 06-16    | Bolt Fin Hex 3/8-16 unc x 1 Gr. 5 |
| 25             | 819 13 13-12    | Washer 13/32 x 13/16 x 12 Ga.     |
| 26             | 873 80 06-00    | Nut Lock Hex w/Ins 3/8-16 unc     |
| 28             | 532 42 67-41    | Grille                            |
| 29             | 532 19 54-02    | Lens Grille Bar                   |
| 30             | 532 19 45-89    | Fender                            |
| 31             | 532 13 66-19    | Bracket Fender Repl 109873X       |
| 33             | 532 18 25-07    | Footrest Pnt LH                   |
| 34             | 532 18 25-08    | Footrest Pnt RH                   |
| 35             | 872 11 06-06    | Bolt Rdhd Sht Sqnk 3/8-16 x 3/4   |
| 37             | 817 49 05-08    | Screw Thdrol 5/16-18 x 1/2 TYT    |
| 38             | 532 17 57-10    | Bracket Asm. Pivot Mower          |
| 39             | 532 18 75-68    | Bracket Pivot                     |
| 64             | 532 15 47-98    | Dash Lower                        |
| 142            | 532 17 57-02    | Plate Reinforcement               |
| 145            | 532 40 91-67    | Rod Pivot Chassis/Hood            |
| 159            | 532 18 56-35    | Cupholder                         |
| 205            | 817 49 06-08    | Screw Thdrol 3/8-16 x 1/2         |
| 207            | 817 67 05-08    | Screw 5/16-18 x 1/2               |
| 208            | 817 67 06-08    | Screw Thdrol 3/8-16 x 1/2         |
| 209            | 817 00 06-12    | Screw Hex Wsh Thdrol 3/8-16       |
| 212            | 532 18 75-69    | Insert Lens Reflect               |
| 278            | 532 41 63-58    | Screw #10 x 0.750 BOS Thread      |
| --             | 532 00 54-79    | Plug Button Blk 359 Dia Choke     |
| --             | 532 18 78-01    | Plug Dome Plastic                 |

**NOTE:** All component dimensions given in U.S. inches  
1 inch = 25.4 mm.

TRACTOR - MODEL NUMBER PO14542LT (96012011900), PRODUCT NO. 960 12 01-19  
DRIVE



drive-stlt\_Peerless\_fender\_13\_r1

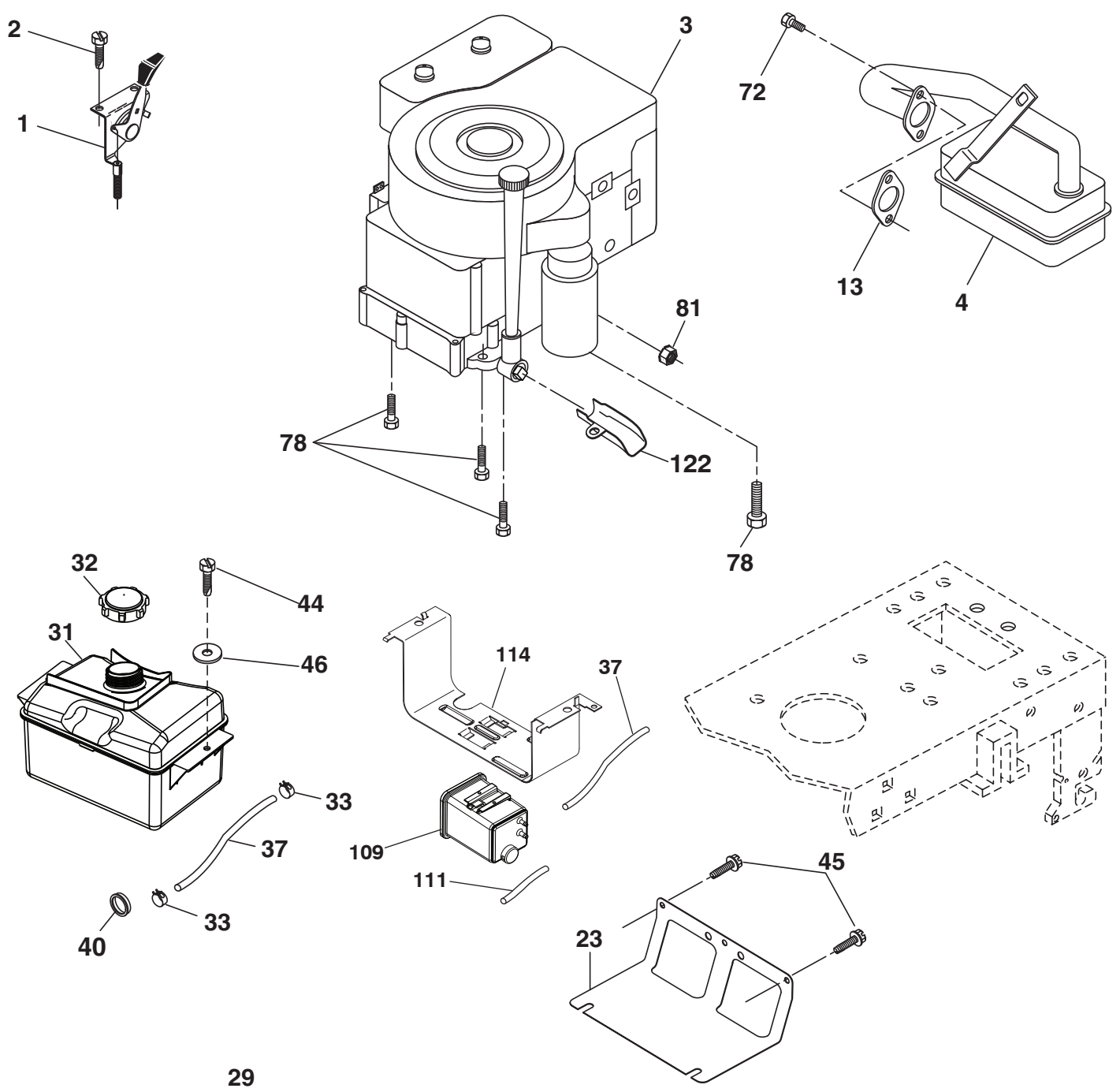


**TRACTOR - MODEL NUMBER PO14542LT (96012011900), PRODUCT NO. 960 12 01-19  
DRIVE**

| KEY NO. | PART NO.     | DESCRIPTION  | KEY NO. | PART NO.     | DESCRIPTION                        |
|---------|--------------|--|---------|--------------|------------------------------------|
| 1       | ---          | Transaxle Peerless 206-545C (165670) (Order parts from transaxle manufacturer) | 63      | 532 17 54-10 | Engine Pulley                      |
| 2       | 532 14 66-82 | Spring Return Brake T/a Zinc   | 64      | 532 17 39-37 | Bolt Hex                           |
| 3       | 532 12 36-66 | Pulley Transaxle 18" Tires   | 65      | 810 04 07-00 | Washer Lock Hvy Hlcl Spr 7/16      |
| 4       | 812 00 00-28 | Ring Retainer # 5100-62  | 66      | 532 15 47-78 | Keeper Belt Engine Foolproof       |
| 5       | 532 12 15-20 | Strap Torque 30 Degrees  | 69      | 532 14 24-32 | Screw Hex wsh HiLo 1/4 x 1/2 unc   |
| 6       | 817 06 05-12 | Screw 5/16-18 x 3/4  | 70      | 532 13 46-83 | Guide Belt Mower Drive RH          |
| 8       | 532 19 27-06 | Rod Shift Fender Adjust Lt   | 74      | 532 13 70-57 | Spacer Axle                        |
| 10      | 876 02 04-16 | Pin Cotter 1/8 x 1 Cad   | 75      | 532 12 17-49 | Washer 25/32 x 1 1/4 x 16 Ga.      |
| 11      | 532 10 57-01 | Washer Plate Shf 388 Sq Hole   | 76      | 812 00 00-01 | E-ring #5133-75                    |
| 13      | 874 55 04-12 | Bolt 1/4-28 unF Gr. 8 w/Patch  | 77      | 532 12 35-83 | Key Square 2 0 x 1845/ 1865        |
| 14      | 810 04 04-00 | Washer Lock Hvy Helical  | 78      | 532 12 17-48 | Washer 25/32 x 1-5/8 x 16 Ga.      |
| 15      | 874 49 05-40 | Bolt Hex FLGHD 5/16-18 Gr. 5   | 79      | 532 12 50-96 | Key Woodruff #9 3/16 x 3/4         |
| 16      | 873 80 05-00 | Nut Lock Hex w/ins 5/16-18   | 80      | 532 14 50-90 | Arm Shift                          |
| 18      | 874 78 06-16 | Bolt, Fin Hex 3/8-16 unc x 1 Gr. 5   | 81      | 532 16 55-92 | Shaft Asm Cross Tapered PMST/20    |
| 19      | 873 80 06-00 | Nut Lock 3/8-16 unc  | 82      | 532 16 57-11 | Spring Torsion T/a                 |
| 21      | 532 10 69-33 | Knob   | 83      | 819 17 12-16 | Washer 17/32 x 3/4 x 16 Ga.        |
| 22      | 532 13 08-04 | Rod Brake Blk Zinc 26 840  | 84      | 532 16 62-31 | Link Transaxle                     |
| 24      | 873 35 06-00 | Nut Hex Jam 3/8-16 unc   | 85      | 532 15 03-60 | Nut Lock Center 1/4 - 28 FNTHD     |
| 25      | 532 10 68-88 | Spring Rod Brake 2 00 Zinc   | 89      | 532 19 49-71 | Console Shift STLT                 |
| 26      | 819 13 13-16 | Washer 13/32 x 13/16 x 16 Ga.  | 96      | 532 12 47-88 | Retainer Spring 1"                 |
| 27      | 876 02 04-12 | Pin Cotter 1/8 x 3/4 Cad   | 112     | 819 09 12-10 | Washer 9/32 x 3/4 x 10 Ga.         |
| 28      | 532 17 57-65 | Rod Brake Parking LT/YT  | 113     | 532 12 72-85 | Strap Torque LT                    |
| 29      | 532 07 16-73 | Cap Brake Parking  | 116     | 872 14 06-08 | Bolt Rdhd Sq Neck 3/8-16 x 1       |
| 30      | 532 16 95-92 | Bracket Mtg Transaxle  | 120     | 873 90 06-00 | Nut Lock Flg. 3/8-16 unc           |
| 32      | 874 76 05-12 | Bolt Hex Hd 5/16-18 unc x 3/4  | 150     | 532 17 54-56 | Spacer Retainer                    |
| 34      | 532 17 55-78 | Shaft Asm Pedal Foot   | 151     | 819 13 32-10 | Washer 13/32 x 2 x 10              |
| 35      | 532 12 01-83 | Bearing Nylon Blk 629 Id   | 156     | 532 16 60-02 | Washer Srrted 5/16ID x 1.125       |
| 36      | 819 21 16-16 | Washer 21/32 x 1 x 16 Ga.  | 158     | 532 43 74-58 | Bracket Shift Mount                |
| 37      | 532 00 15-72 | Pin Roll 3/16 x 1"   | 159     | 532 18 39-00 | Hub Tapered Flange Shift Lt        |
| 38      | 532 17 91-14 | Pulley Composite Flat  | 161     | 872 14 04-06 | Bolt Rdhd Sqnk 1/4-20 x 3/4        |
| 39      | 872 11 06-22 | Bolt RDHD 3/8-16 unc x 2-3/4 Gr. 5   | 162     | 873 68 04-00 | Nut Crownlock 1/4-20 unc           |
| 41      | 532 17 55-56 | Keeper Belt Flat Idler   | 163     | 874 78 04-16 | Bolt Hex Fin 1/4-20 unc x 1 Gr. 5  |
| 47      | 532 12 77-83 | Pulley Idler V Groove Plastic  | 165     | 532 43 82-50 | Bracket Pivot Lever                |
| 48      | 532 15 44-07 | Bellcrank Asm  | 166     | 817 49 05-10 | Screw 5/16-18 x 5/8                |
| 49      | 532 12 32-05 | Retainer Belt Style Spring   | 168     | 532 16 54-92 | Bolt Shoulder 5/16-18 x .561       |
| 50      | 872 11 06-12 | Bolt Carr. Sh. 3/8-16 x 1-1/2 Gr. 5  | 169     | 532 16 55-80 | Plate Fastening                    |
| 51      | 873 68 06-00 | Nut Crownlock 3/8-16 unc   | 170     | 532 18 74-14 | Keeper Belt Transaxle Gear         |
| 52      | 873 68 05-00 | Nut Crownlock 5/16-18 unc  | 197     | 532 16 96-13 | Nyliner Snap-In                    |
| 53      | 532 19 96-52 | Link Clutch  | 198     | 532 16 95-93 | Washer Nyliner                     |
| 55      | 532 10 57-09 | Spring Return Clutch 6 75  | 202     | 872 11 06-14 | Bolt RdHd 3/8-16 unc x 1-3/4 Gr. 5 |
| 56      | 817 06 06-20 | Screw 3/8-16 x 1-1/4   |         |              |                                    |
| 57      | 532 13 82-55 | V-Belt Ground Drive  |         |              |                                    |
| 62      | 532 12 48-72 | Cover Pedal Blk Round  |         |              |                                    |

**NOTE:** All component dimensions given in U.S. inches  
1 inch = 25.4 mm

**TRACTOR - MODEL NUMBER PO14542LT (96012011900), PRODUCT NO. 960 12 01-19  
ENGINE**



29

**OPTIONAL EQUIPMENT**  
**Spark Arrester**

engine-stlt\_bs\_16

**TRACTOR - MODEL NUMBER PO14542LT (96012011900), PRODUCT NO. 960 12 01-19  
ENGINE**

| <b>KEY NO.</b> | <b>PART NO.</b> | <b>DESCRIPTION</b>   |
|----------------|-----------------|--|
| 1              | 532 17 05-51    | Control Th/ch Flag   |
| 2              | 817 72 04-08    | Screw Hex Thd Cut 1/4-20 x 1/2   |
| 3              | — — — — —       | Engine, B&S 31A507-4405-G1(440006)<br>(Order parts from engine manufacturer) |
| 4              | 532 13 73-52    | Muffler Exhaust B&S  |
| 13             | 532 16 52-91    | Gasket Eng 1 313 Id Tin Plated   |
| 23             | 532 16 98-37    | Shield BRN/DBR Guard   |
| 29             | 532 13 71-80    | Kit Spark Arrestor (Flat Scrn)   |
| 31             | 532 42 07-21    | Tank Fuel Front  |
| 32             | 532 43 02-19    | Cap Fuel   |
| 33             | 532 12 34-87    | Clamp Hose   |
| 37             | 532 40 11-37    | Line Fuel  |
| 40             | 532 12 40-28    | Bushing Snap Nyl Blk Fuel Line   |
| 44             | 817 67 04-12    | Screw Thdrol 1/4-20 x 3/4  |
| 45             | 817 00 06-12    | Screw Hex Wsh Thdrol 3/8-16  |
| 46             | 819 09 14-16    | Washer 9/32 x 7/8 x 16 Ga.   |
| 72             | 532 19 23-34    | Screw Socket Head 5/16-18 x 3/4  |
| 78             | 817 06 06-20    | Screw 3/8-16 x 1-1/4   |
| 81             | 873 51 04-00    | Nut Keps Hex 1/4-20 unc  |
| 109            | 532 41 41-14    | Cannister Carbon   |
| 111            | 532 41 41-19    | Purge Line   |
| 114            | 532 41 41-16    | Cradle Cannister   |
| 122            | 532 42 19-22    | Extension Drain Oil  |

**NOTE:** All component dimensions given in U.S. inches  
1 inch = 25.4 mm

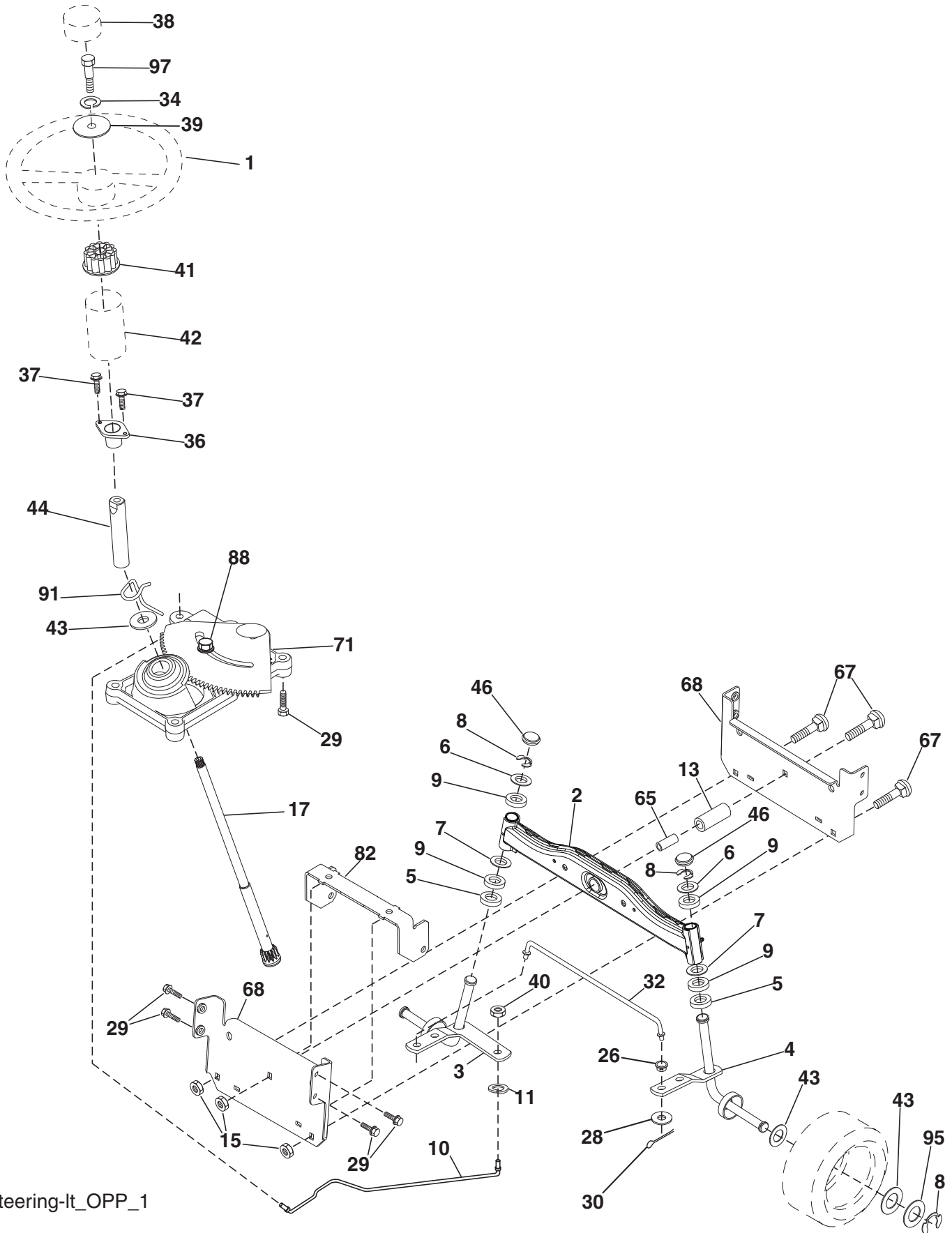
For engine service and replacement parts, call the toll free number for your engine manufacturer listed below:

Briggs & Stratton                    1-800-233-3723

**Engine Power Rating Information**

The gross power rating for individual gas engine models is labeled in accordance with SAE (Society of Automotive Engineers) code J1940 (Small Engine Power & Torque Rating Procedure), and rating performance has been obtained and corrected in accordance with SAE J1995 (Revision 2002-05). Torque values are derived at 3060 RPM; horsepower values are derived at 3600 RPM. Actual gross engine power will be lower and is affected by, among other things, ambient operating conditions and engine-to-engine variability. Given both the wide array of products on which engines are placed and the variety of environmental issues applicable to operating the equipment, the gas engine will not develop the rated gross power when used in a given piece of power equipment (actual “on-site” or net power). This difference is due to a variety of factors including, but not limited to, accessories (air cleaner, exhaust, charging, cooling, carburetor, fuel pump, etc.), application limitations, ambient operating conditions (temperature, humidity, altitude), and engine-to-engine variability. Due to manufacturing and capacity limitations, Briggs & Stratton may substitute an engine of higher rated power for this Series engine.

TRACTOR - MODEL NUMBER PO14542LT (96012011900), PRODUCT NO. 960 12 01-19  
STEERING



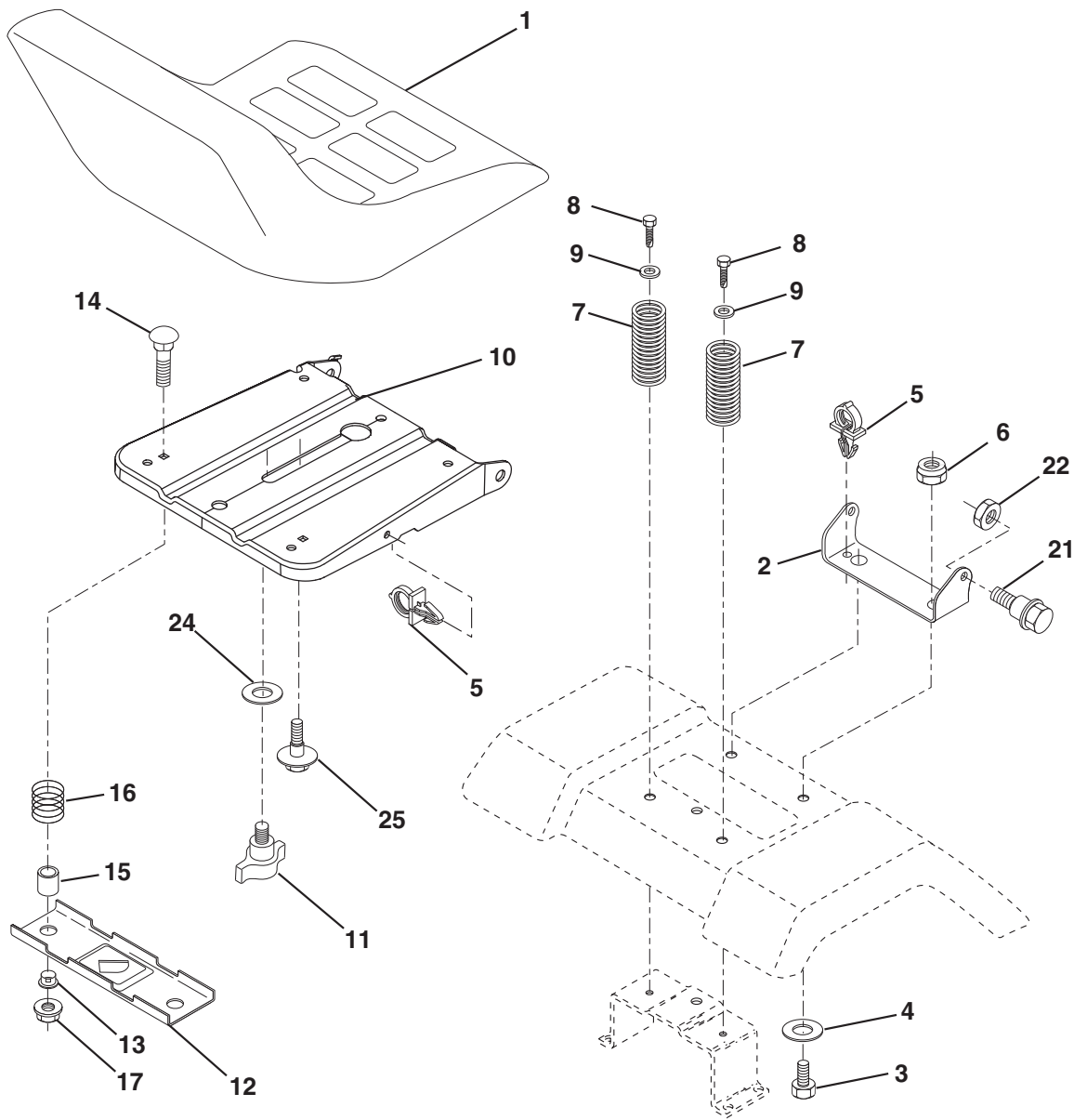
Steering-It\_OPP\_1

**TRACTOR - MODEL NUMBER PO14542LT (96012011900), PRODUCT NO. 960 12 01-19  
STEERING**

| <b>KEY NO.</b> | <b>PART NO.</b> | <b>DESCRIPTION</b>                      |
|----------------|-----------------|---|
| 1              | 532 42 45-43    | Wheel Steering                          |
| 2              | 532 41 81-68    | Axle Asm                                |
| 3              | 532 16 98-40    | Spindle Asm LH                          |
| 4              | 532 16 98-39    | Spindle Asm RH                          |
| 5              | 532 12 49-31    | Bearing Race Thrust Harden              |
| 6              | 532 12 17-48    | Washer 25/32 x 1-5/8 x 16 Ga.           |
| 7              | 819 27 20-16    | Washer 27/32 x 1-1/4 x 16 Ga.           |
| 8              | 812 00 00-29    | Ring Klip #t5304-75                     |
| 9              | 532 12 49-37    | Bearing Col Strg Blk                    |
| 10             | 532 17 51-21    | Link Drag                               |
| 11             | 810 04 06-00    | Washer Lock Hvy Hlcl Spr 3/8            |
| 13             | 532 13 65-18    | Spacer Brace Axle                       |
| 15             | 873 90 06-00    | Nut lock Flg. 3/8-16 unc                |
| 17             | 532 41 13-86    | Shaft Asm Strg                          |
| 26             | 532 12 68-47    | Bushing Link Drag Blk LR                |
| 28             | 819 13 14-16    | Washer 13/32 x 7/8 x 16 Ga.             |
| 29             | 817 00 06-12    | Screw 3/8-16 x 3/4                      |
| 30             | 876 02 04-12    | Pin Cotter 11/32 ID x 2 3/8 OD x 12 Ga. |
| 32             | 532 19 27-57    | Rod Tie Wire Form 19 75 Mech            |
| 34             | 810 04 05-00    | Washer Lock 5/16                        |
| 36             | 532 15 50-99    | Bushing Strg 5/8 Id Dash                |
| 37             | 532 15 29-27    | Screw                                   |
| 38             | 532 42 46-91    | Cap Wheel Steer                         |
| 39             | 819 11 38-12    | Washer 11/32 x 2 3/8 OD x 12 Ga.        |
| 40             | 873 54 06-00    | Nut Crownlock 3/8-24                    |
| 41             | 532 18 67-37    | Adaptor Wheel Strg                      |
| 42             | 532 16 96-33    | Boot Dash Mtl Steering Blk              |
| 43             | 532 12 17-49    | Washer 25/32 x 1 1/4 x 16 Ga.           |
| 44             | 532 19 07-52    | Extension Steering                      |
| 46             | 532 12 12-32    | Cap Spindle Fr Top Blk                  |
| 65             | 532 41 47-36    | Spacer Brace Axle                       |
| 67             | 872 11 06-18    | Bolt RDHD SQNK 3/8-16 x 2-1/4           |
| 68             | 532 16 98-27    | Brace Axle                              |
| 71             | 532 17 51-46    | Steering Asm.                           |
| 82             | 532 19 99-78    | Bracket Susp Chassis Front              |
| 88             | 532 17 51-18    | Bolt Shoulder 7/16-20                   |
| 91             | 532 17 55-53    | Clip Steering                           |
| 95             | 532 18 89-67    | Washer Harden .793 x 1.637 x 060        |
| 97             | 532 42 89-82    | Bolt Fin Hex 5/16-18 x 4 w/Patch        |

**NOTE:** All component dimensions given in U.S. inches  
1 inch = 25.4 mm.

**TRACTOR - MODEL NUMBER PO14542LT (96012011900), PRODUCT NO. 960 12 01-19 SEAT**



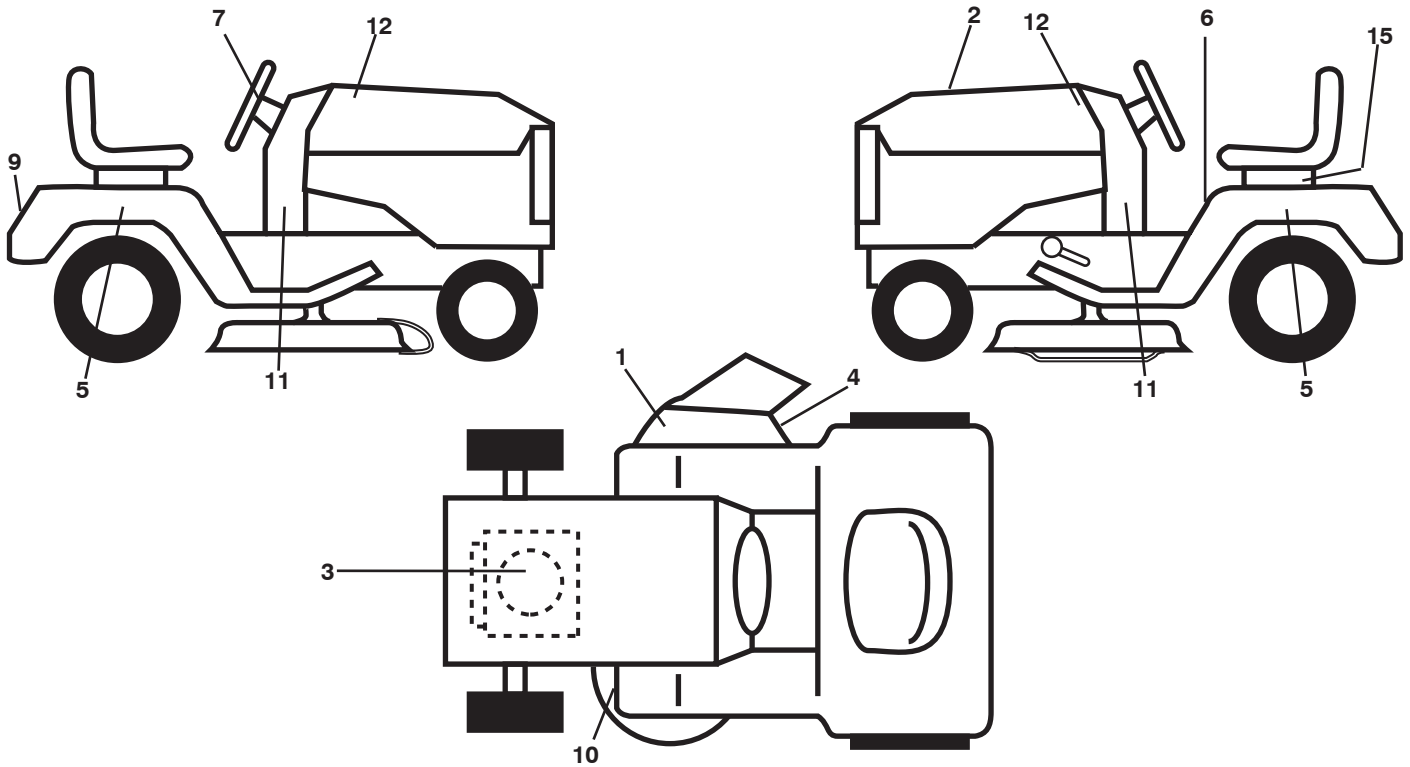
seat-stlt\_knob\_1

| KEY NO. | PART NO.     | DESCRIPTION                    |
|---------|--------------|--------------------------------|
| 1       | 532 40 10-42 | Seat                           |
| 2       | 532 14 05-51 | Bracket Seat Pivot             |
| 3       | 871 11 06-16 | Bolt Hex 3/8 - 16 x 1          |
| 4       | 819 13 16-10 | Washer 13/32 x 1 x10 Ga.       |
| 5       | 532 14 50-06 | Clip Push-In Hinged            |
| 6       | 873 80 06-00 | Nut Lock Hex w/Ins 3/8 - 16    |
| 7       | 532 12 41-81 | Spring Seat Cprsn 2 250 Blk Zi |
| 8       | 817 00 06-16 | Screw 3/8-16 x 1.5             |
| 9       | 819 13 16-14 | Washer 13/32 x 1 x 14 Ga.      |
| 10      | 532 19 55-30 | Pan Pnt Seat                   |
| 11      | 532 16 63-69 | Knob Seat                      |
| 12      | 532 17 46-48 | Bracket Pnt Mounting Switch    |

| KEY NO. | PART NO.     | DESCRIPTION                        |
|---------|--------------|------------------------------------|
| 13      | 532 12 12-48 | Bushing Snap Blk Nyl               |
| 14      | 872 05 04-12 | Bolt Rdhd Sht Nk 1/4 - 20 x 1 -1/2 |
| 15      | 532 13 43-00 | Spacer Split .28 x .96             |
| 16      | 532 12 12-50 | Spring Cprsn                       |
| 17      | 532 12 39-76 | Nut Lock 1/4 Lge Flg               |
| 21      | 532 17 18-52 | Bolt Shoulder 5/16-18 unc-2A       |
| 22      | 873 80 05-00 | Nut Lock Hex w/Ins 5/16 - 18       |
| 24      | 819 17 19-12 | Washer 17/32 x 1-3/16 x 12 Ga.     |
| 25      | 532 12 70-18 | Bolt Shoulder 5/16-18 x .62        |

**NOTE:** All component dimensions given in U.S. inches  
1 inch = 25.4 mm.

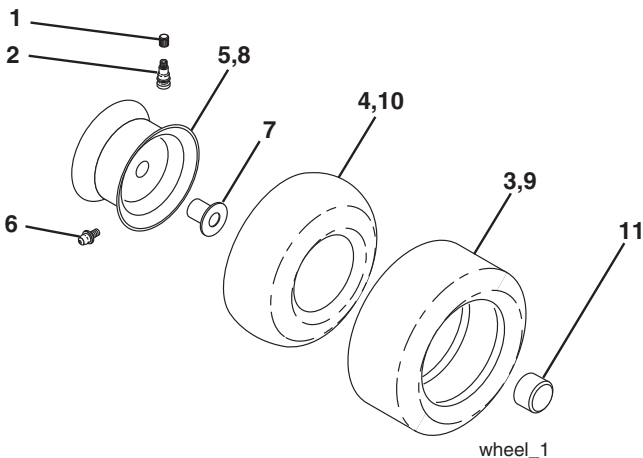
**TRACTOR - MODEL NUMBER PO14542LT (96012011900), PRODUCT NO. 960 12 01-19  
DECALS**



| KEY NO. | PART NO.     | DESCRIPTION                 |
|---------|--------------|-----------------------------|
| 1       | 532 17 05-63 | Decal, Mower                |
| 2       | 532 43 84-25 | Decal, Replacement          |
| 3       | 532 43 10-89 | Decal, Engine HP            |
| 4       | 532 42 41-02 | Decal, Warning              |
| 5       | 532 43 19-85 | Decal, Fender               |
| 6       | 532 41 16-57 | Decal, Fender Warning (E&F) |
| 7       | 532 43 19-82 | Decal, Ins Str Wh           |
| 9       | 532 43 19-86 | Decal, Fender               |

| KEY NO. | PART NO.     | DESCRIPTION                   |
|---------|--------------|-------------------------------|
| 10      | 532 16 03-96 | Decal, V-Belt Sch.            |
| 11      | 532 43 84-87 | Decal, Lower Dash             |
| 12      | 532 43 19-83 | Decal, Hood RH/LH             |
| 15      | 532 14 50-05 | Decal, Caution, Battery       |
| --      | 532 18 10-90 | Pad Footrest RH               |
| --      | 532 18 10-91 | Pad Footrest LH               |
| --      | 532 13 83-11 | Decal, Handle Lft Height Adj. |
| --      | 532 44 06-26 | Manual, Operator's            |
| --      | 532 44 06-27 | Manual, Parts                 |

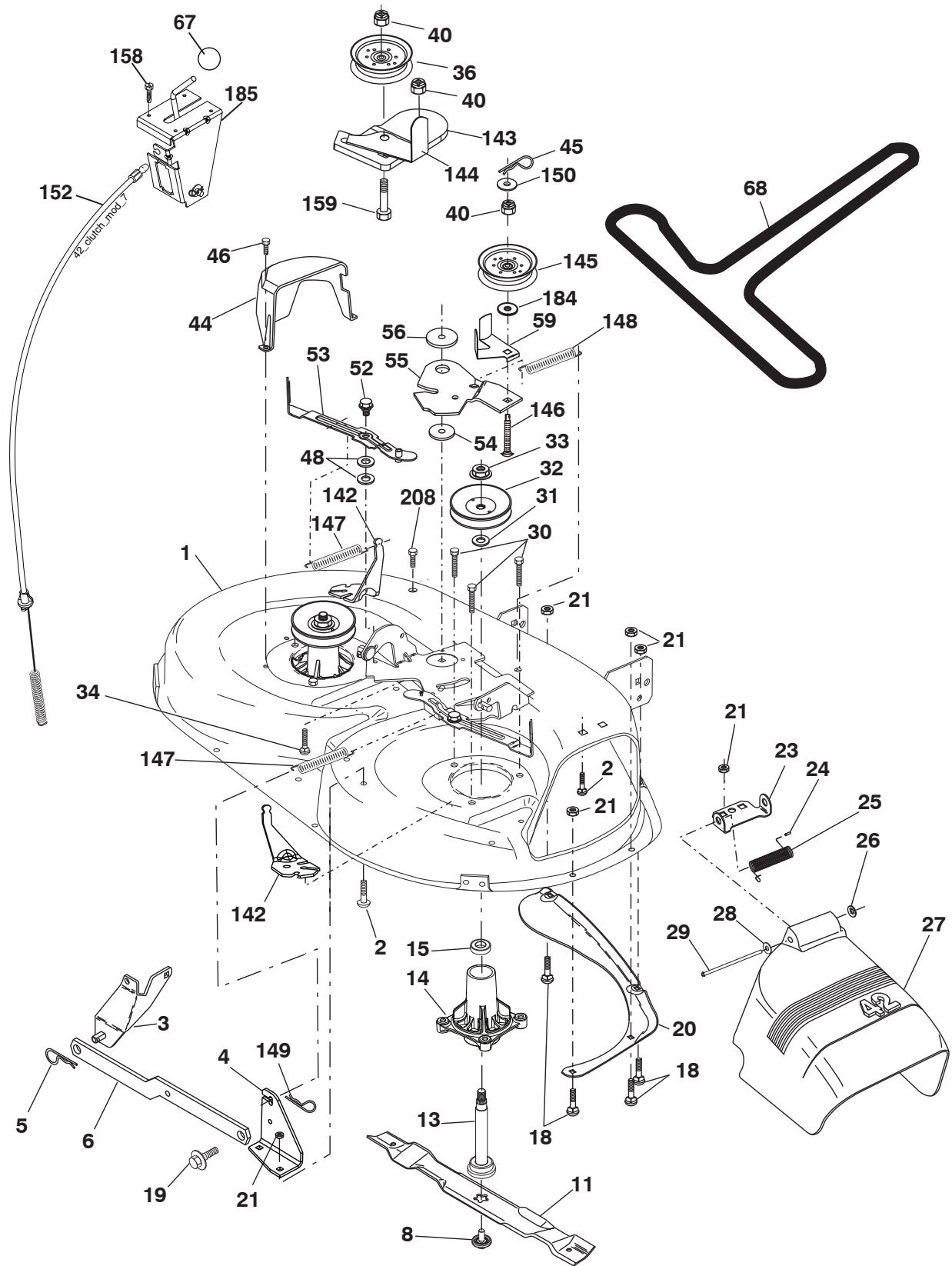
**WHEELS & TIRES**



| KEY NO. | PART NO.     | DESCRIPTION                        |
|---------|--------------|------------------------------------|
| 1       | 532 05 91-92 | Cap, Tire Valve                    |
| 2       | 532 06 51-39 | Stem, Valve                        |
| 3       | 532 10 62-22 | Tire, Front                        |
| 4       | 532 05 99-04 | Tube, Front (Service item only)    |
| 5       | 532 43 87-27 | Rim Assembly, 6" Front             |
| 6       | 532 12 49-57 | Fitting, Grease (Front wheel only) |
| 7       | 532 12 49-59 | Bearing, Flange (Front wheel only) |
| 8       | 532 43 87-26 | Rim Assembly, 8" Rear              |
| 9       | 532 42 05-31 | Tire, Rear                         |
| 10      | 532 12 49-26 | Tube, Rear (Service item only)     |
| 11      | 532 43 25-10 | Cap, Hub Axle                      |
| --      | 532 14 43-34 | Sealant, Tire (10 oz. Tube)        |

**NOTE:** All component dimensions given in U.S. inches  
1 inch = 25.4 mm

TRACTOR - MODEL NUMBER PO14542LT (96012011900), PRODUCT NO. 960 12 01-19  
MOWER DECK



42\_deck\_std\_2

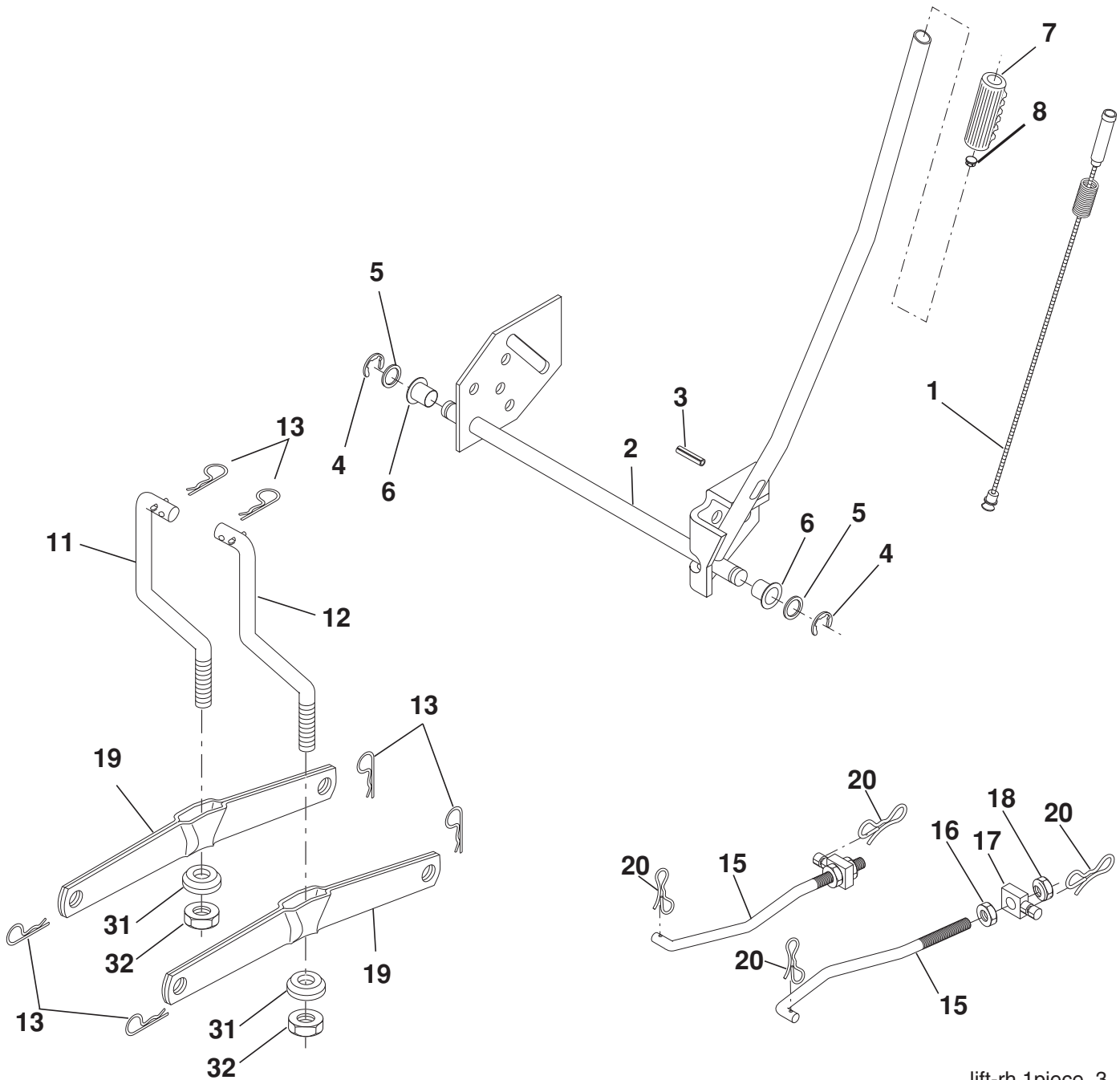


**TRACTOR - MODEL NUMBER PO14542LT (96012011900), PRODUCT NO. 960 12 01-19  
MOWER DECK**

| KEY NO. | PART NO.     | DESCRIPTION   | KEY NO. | PART NO.     | DESCRIPTION   |
|---------|--------------|---|---------|--------------|---|
| 1       | 532 16 58-92 | Mower Deck Assembly, 42"                              | 48      | 532 13 39-44 | Washer, Hardened  |
| 2       | 872 14 05-06 | Bolt  | 52      | 532 13 98-88 | Bolt, Shoulder 5/16-18 unc  |
| 3       | 532 13 80-17 | Bracket Asm Fr. Sway Bar 3/42                         | 53      | 532 18 49-07 | Arm Assembly, Pad, Brake  |
| 4       | 532 16 54-60 | Bracket Asm Deck 42" Sway Bar                         | 54      | 532 17 85-15 | Washer, Hardened  |
| 5       | 532 12 46-70 | Retainer Spring                                       | 55      | 532 15 50-46 | Arm, Idler  |
| 6       | 532 17 80-24 | Bar Sway Deck   | 56      | 532 16 57-23 | Spacer, Retainer  |
| 8       | 532 19 30-03 | Bolt/Washer Asm. 7/16-20 unf                          | 59      | 532 14 10-43 | Guard TUV Idler   |
| 11      | 532 13 89-71 | Blade Mower 42" Hi-Lift (for bagging and discharging) | 67      | 532 10 69-32 | Knob Round  |
| 13      | 532 19 28-72 | Shaft Asm. Mandrel                                    | 68      | 532 14 49-59 | V-Belt, 42" Mower   |
| 14      | 532 18 72-81 | Housing Mandrel                                       | 142     | 532 19 57-84 | Anchor Spring Brake Mower   |
| 15      | 532 11 04-85 | Bearing, Ball, Mandrel                                | 143     | 532 15 71-09 | Bracket Arm Idler 42"   |
| 18      | 872 14 05-05 | Bolt, Carriage 5/16-18 x 5/8                          | 144     | 532 15 86-34 | Keeper Belt 42" Clutch Cable  |
| 19      | 532 13 28-27 | Bolt, Shoulder  | 145     | 532 16 58-88 | Pulley Idler Flat   |
| 20      | 532 15 97-70 | Baffle, Vortex  | 146     | 532 17 19-77 | Bolt Carriage Idler   |
| 21      | 873 68 05-00 | Nut   | 147     | 532 13 13-35 | Spring Extension  |
| 23      | 532 17 75-63 | Bracket, Deflector Mower 42"                          | 148     | 532 16 90-22 | Spring Return Idler   |
| 24      | 532 10 53-04 | Cap, Sleeve 80 x 112 Blk Mower                        | 149     | 532 16 58-98 | Retainer Spring Yellow  |
| 25      | 532 12 37-13 | Spring, Torsion, Deflector 2 52                       | 150     | 819 09 12-10 | Washer 9/32 x 3/4 x 10 Ga.  |
| 26      | 532 11 04-52 | Nut, Push Phos & Oil                                  | 152     | 532 16 79-94 | Clutch Cable 42"  |
| 27      | 532 17 18-59 | Shield, Deflector 42" Blk                             | 158     | 817 72 04-08 | Screw Hex Thd Cut 1/4-20 x 1/2  |
| 28      | 819 11 10-16 | Washer 11/32 x 5/8 x 16 Ga.                           | 159     | 872 14 06-14 | Bolt Rdhd Sqn 3/8-16 unc x 1-3/4  |
| 29      | 532 13 14-91 | Rod, Hinge 42" 6 75 w/G                               | 184     | 819 13 14-10 | Washer 13/32 x 7/8 x 10 Ga.   |
| 30      | 532 17 39-84 | Screw Thdrol  | 185     | 532 18 82-34 | Head Asm Cable Clutch   |
| 31      | 532 18 76-90 | Washer, Spacer Mower Vented                           | 208     | 817 67 06-08 | Screw 3/8-16 x 1/2  |
| 32      | 532 15 35-35 | Pulley, Mandrel                                       | --      | 532 19 28-70 | Mandrel Assembly (Includes housing, shaft assembly, and bearing only - pulley/nut/washer and blade bolt/washers not included) |
| 33      | 532 40 02-34 | Nut, Toplock  | --      | 532 41 80-31 | Replacement Mower, Complete   |
| 34      | 872 11 06-12 | Bolt Carr SH 3/8-16 x 1-1/2 Gr.5                      |         |              |   |
| 36      | 532 13 14-94 | Pulley, Idler, Flat                                   |         |              |   |
| 40      | 873 90 06-00 | Nut Lock 3/8-16                                       |         |              |   |
| 44      | 532 14 00-88 | Guard, Mandrel, LH                                    |         |              |   |
| 45      | 532 00 44-97 | Retainer  |         |              |   |
| 46      | 532 13 77-29 | Screw, Thdrol 1/4-20 x 5/8 T                          |         |              |   |

**NOTE:** All component dimensions given in U.S. inches  
1 inch = 25.4 mm

**TRACTOR - MODEL NUMBER PO14542LT (96012011900), PRODUCT NO. 960 12 01-19  
MOWER LIFT**



lift-rh.1piece\_3

| KEY NO. | PART NO.     | DESCRIPTION               |
|---------|--------------|---------------------------|
| 1       | 532 40 49-81 | Plunger Asm Lift Lever    |
| 2       | 532 15 94-71 | Shaft Asm Lift RH         |
| 3       | 532 10 57-67 | Pin Groove 1 500 Zinc     |
| 4       | 812 00 00-02 | E Ring #5133-62           |
| 5       | 819 21 16-21 | Washer 21/32 x 1 x 21 Ga. |
| 6       | 532 12 01-83 | Bearing Nylon Blk 629 Id  |
| 7       | 532 12 56-31 | Grip Handle               |
| 8       | 532 12 45-26 | Button Plunger Black      |
| 11      | 532 13 98-65 | Link Lift LH Fixed Length |
| 12      | 532 13 98-66 | Link Lift RH Fixed Length |
| 13      | 532 12 46-70 | Retainer Spring           |

| KEY NO. | PART NO.     | DESCRIPTION                  |
|---------|--------------|------------------------------|
| 15      | 532 17 32-88 | Link Front                   |
| 16      | 873 35 08-00 | Nut Jam Hex 1/2-13 unc       |
| 17      | 532 17 56-89 | Trunnion                     |
| 18      | 873 80 08-00 | Nut Lock w/Wsh 1/2-13 unc    |
| 19      | 532 13 98-68 | Arm Suspension Rear          |
| 20      | 532 19 42-09 | Pin Cotter 7/16 Bow Tie Lock |
| 31      | 532 16 98-65 | Bearing Pvt Lift             |
| 32      | 873 54 06-00 | Nut Crownlock 3/8-24         |

**NOTE:** All component dimensions given in U.S. inches  
1 inch = 25.4 mm.

---

# SERVICE NOTES

---

# LIMITED WARRANTY

The Manufacturer warrants to the original consumer purchaser that this product as manufactured is free from defects in materials and workmanship. For a period of two (2) years from date of purchase by the original consumer purchaser, we will repair or replace, at our option, without charge for parts or labor incurred in replacing parts, any part which we find to be defective due to materials or workmanship. This Warranty is subject to the following limitations and exclusions.

1. This warranty does not apply to the engine, transaxle/transmission components, battery (except as noted below) or components parts thereof. Please refer to the applicable manufacturer's warranty on these items.
2. Transportation charges for the movement of any power equipment unit or attachment are the responsibility of the purchaser. Transportation charges for any parts submitted for replacement under this warranty must be paid by the purchaser unless such return is requested by the manufacturer.
3. Battery Warranty: On products equipped with a Battery, we will replace, without charge to you, any battery which we find to be defective in manufacture, during the first ninety (90) days of ownership. After ninety (90) days, we will exchange the Battery, charging you 1/12 of the price of a new Battery for each full month from the date of the original sale. Battery must be maintained in accordance with the instructions furnished.
4. The Warranty period for any products used for rental or commercial purposes is limited to 90 days from the date of original purchase.
5. This Warranty applies only to products which have been properly assembled, adjusted, operated, and maintained in accordance with the instructions furnished. This Warranty does not apply to any product which has been subjected to alteration, misuse, abuse, improper assembly or installation, delivery damage, or to normal wear of the product.
6. Exclusions: Excluded from this Warranty are belts, blades, blade adapters, normal wear, normal adjustments, standard hardware and normal maintenance.
7. In the event you have a claim under this Warranty, you must return the product to an authorized service dealer.

Should you have any unanswered questions concerning this Warranty, please contact:

HOP  
Outdoor Products Customer Service Dept.  
9335 Harris Corners Parkway  
Charlotte, NC 28269 USA

In Canada contact:  
HOP  
5855 Terry Fox Way  
Mississauga, Ontario  
L5V 3E4

giving the model number, serial number and date of purchase of your product and the name and address of the authorized dealer from whom it was purchased.

THIS WARRANTY DOES NOT APPLY TO INCIDENTAL OR CONSEQUENTIAL DAMAGES AND ANY IMPLIED WARRANTIES ARE LIMITED TO THE SAME TIME PERIODS STATED HEREIN FOR OUR EXPRESSED WARRANTIES. Some areas do not allow the limitation of consequential damages or limitations of how long an implied Warranty may last, so the above limitations or exclusions may not apply to you. This Warranty gives you specific legal rights, and you may have other rights which vary from locale to locale.

This is a limited Warranty within the meaning of that term as defined in the Magnuson-Moss Act of 1975.