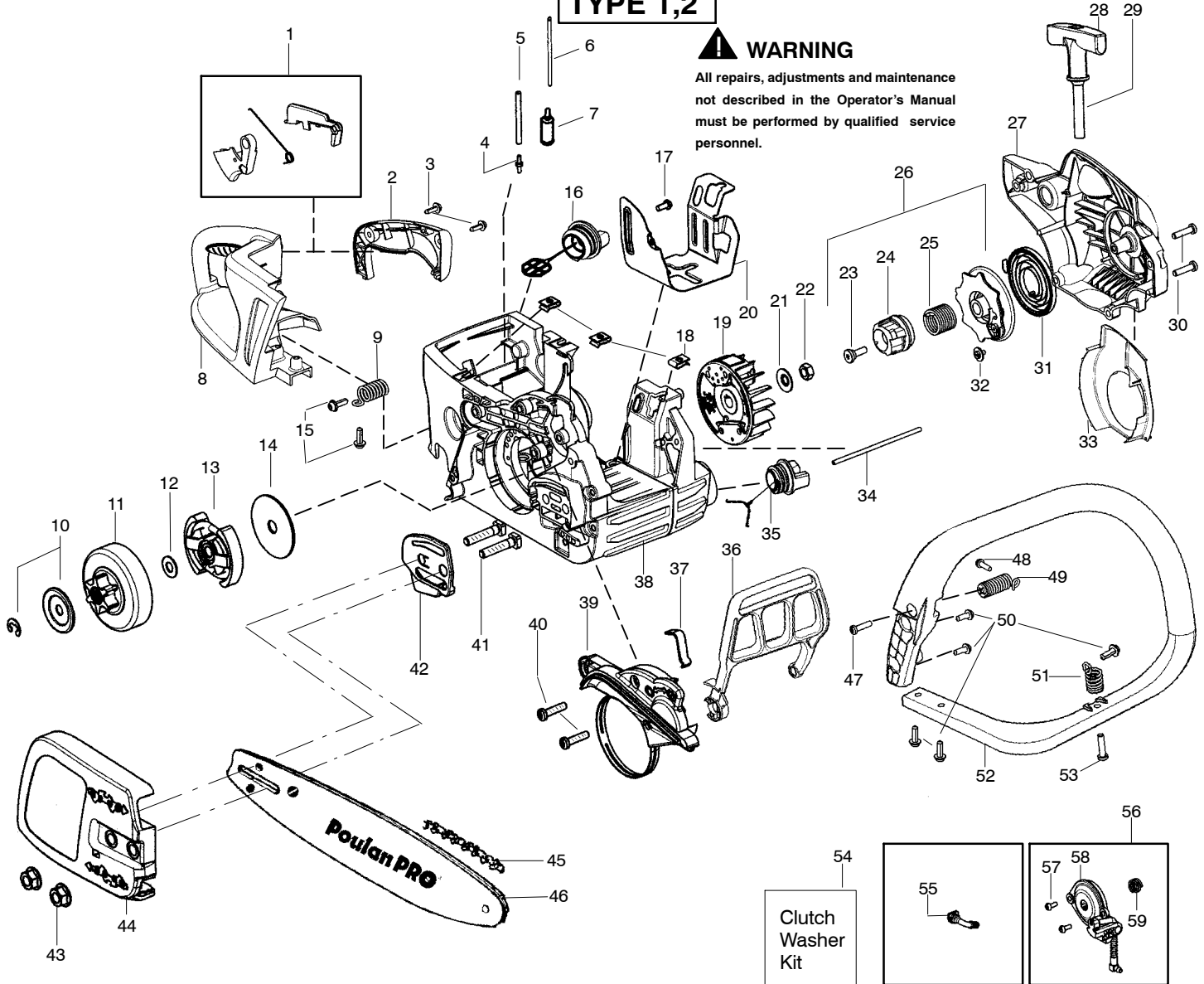


**TYPE 1,2**

**⚠ WARNING**

All repairs, adjustments and maintenance not described in the Operator's Manual must be performed by qualified service personnel.

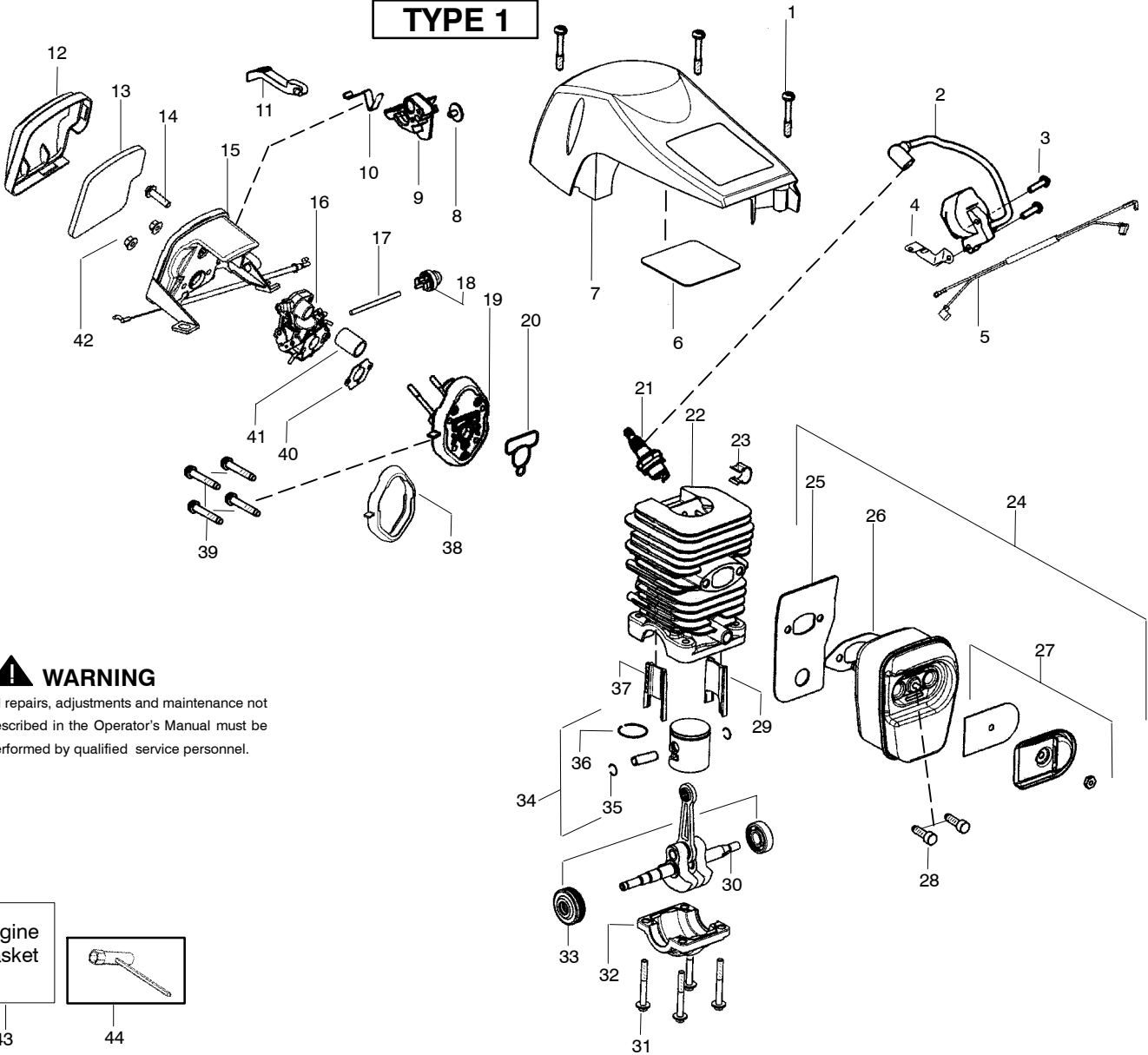


| Ref. | Part No.  | Description           | Ref. | Part No.  | Description   | Ref. | Part No.  | Description            |
|------|-----------|-----------------------|------|-----------|---|------|-----------|------------------------|
| 1.   | 530071927 | Kit-Trigger/Lockout   | 24.  | 530059677 | Starter Hub-EPS   | 44.  | 545012003 | Assy-Clutch Cover      |
| 2.   | 545011903 | Cover-Handle          | 25.  | 530021180 | Spring-EPS  | 45.  | 952051338 | Accy-18" Chain         |
| 3.   | 530016433 | Screw                 | 26.  | 530071966 | Kit- EPS Starter Pulley   | 46.  | 952044926 | Accy-18" Bar           |
| 4.   | 530023877 | Fitting-Fuel line     | 27.  | 545011703 | Housing-Fan   | 47.  | 530016432 | Screw                  |
| 5.   | 530069216 | Kit-Fuel Line (Large) | 28.  | 530056402 | Handle-Starter  | 48.  | 530016443 | Screw                  |
| 6.   | 530069247 | Kit-Fuel Line (Small) | 29.  | 530069232 | Kit-Rope  | 49.  | 530059480 | Assy-Rear Iso. Spring  |
| 7.   | 530095646 | Assy-Fuel Pick Up     | 30.  | 530016432 | Screw   | 50.  | 530015906 | Screw                  |
| 8.   | 545012103 | Handle-Rear           | 31.  | 530042095 | Spring-Starter  | 51.  | 530059479 | Assy-Front Iso. Spring |
| 9.   | 530059475 | Spring-Rear Isolator  | 32.  | 530016080 | Screw   | 52.  | 530057878 | Handle-Front           |
| 10.  | 530071945 | Kit-Clutch Washer     | 33.  | 530057868 | Baffle  | 53.  | 530016432 | Screw                  |
| 11.  | 530057905 | Assy-Clutch Drum 3/8" | 34.  | 530058786 | Assy-Oil Vent   | 54.  | 530071945 | Kit-Clutch Washer      |
| 12.  | 530071945 | Kit-Clutch Washer     | 35.  | 530057236 | Assy-Oil Cap w/ret.   | 55.  | 530057924 | Assy-Oil Pick Up       |
| 13.  | 530057907 | Assy-Clutch           | 36.  | 530057880 | Handguard   | 56.  | 530071891 | Kit-Oil Pump           |
| 14.  | 530016419 | Washer-Large Clutch   | 37.  | 530016416 | Spring-Handguard  | 57.  | 530016064 | Screw                  |
| 15.  | 530015906 | Screw                 | 38.  | 545011803 | Assy-Chassis (Incl. 4,5,6,7,9,15,16,17,18, 20,34,35,37,41,51, ) | 58.  | 530057931 | Assy-Oil Pump          |
| 16.  | 530047192 | Assy-Fuel Cap w/ret   | 39.  | 530071893 | Kit-Chainbrake  | 59.  | 530037820 | Gear-Worm              |
| 17.  | 530016064 | Screw                 | 40.  | 530016432 | Screw   |      |           |                        |
| 18.  | 530015922 | Nut-"U" type speed    | 41.  | 530016133 | Bolt-Bar  |      |           |                        |
| 19.  | 530039231 | Assy-Flywheel         | 42.  | 530057910 | Plate-Bar   |      |           |                        |
| 20.  | 530057911 | Shield-Heat           | 43.  | 530015917 | Nut-Bar   |      |           |                        |
| 21.  | 530015127 | Washer-Flywheel       |      |           |   |      |           |                        |
| 22.  | 530016134 | Nut-Flywheel          |      |           |   |      |           |                        |
| 23.  | 530021179 | Screw-Shoulder        |      |           |   |      |           |                        |

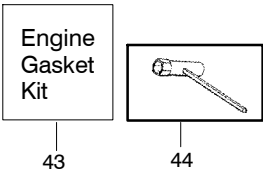
✓ = NEW PART NUMBER FOR THIS IPL

★ = REFER TO THE SERVICE REFERENCE INDICATED FOR MORE INFORMATION. (LOCATED AT END OF IPL)

**TYPE 1**



**⚠ WARNING**  
All repairs, adjustments and maintenance not described in the Operator's Manual must be performed by qualified service personnel.

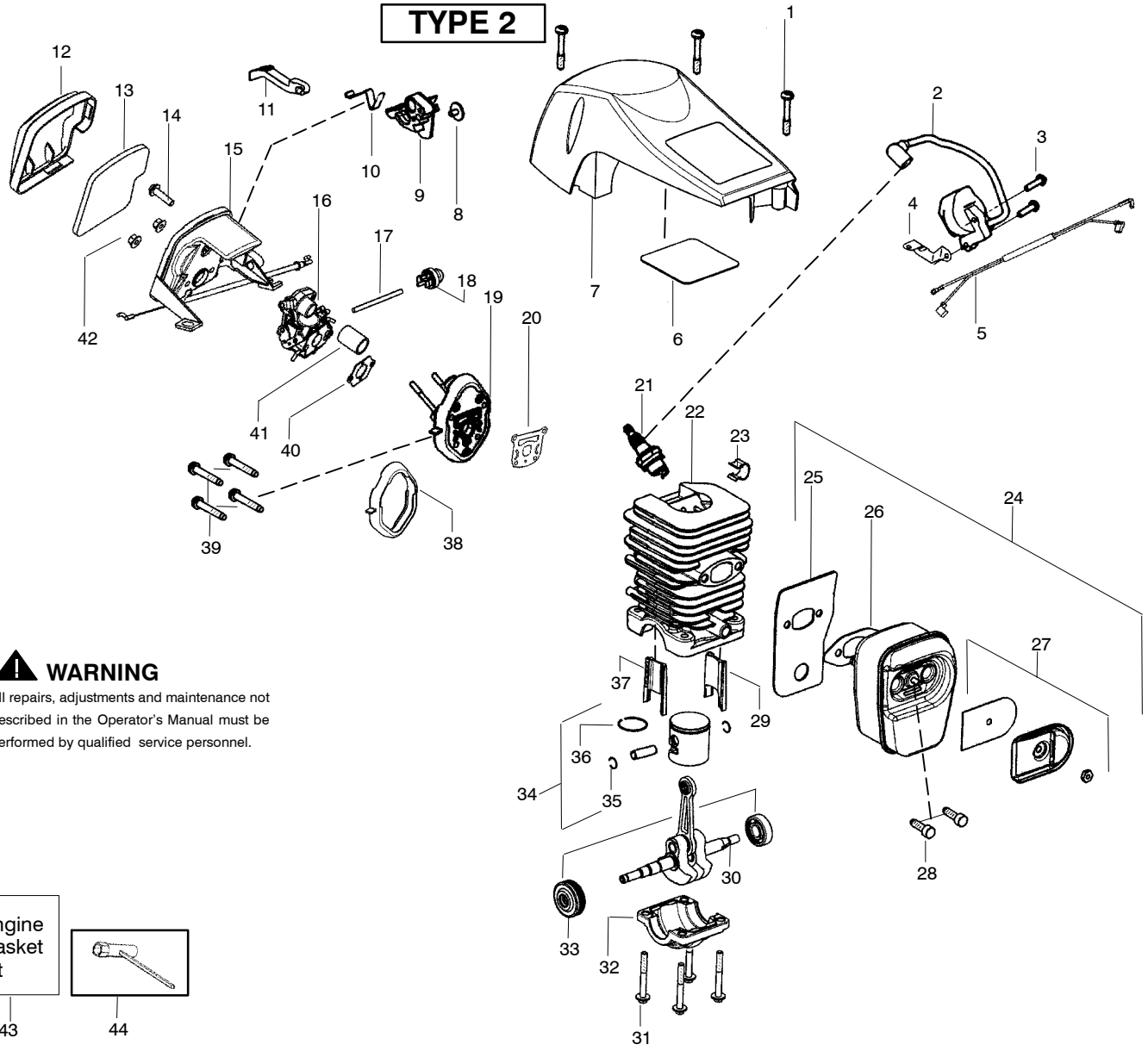


| Ref. | Part No.  | Description                | Ref. | Part No.  | Description                           | Ref. | Part No.  | Description                    |
|------|-----------|----------------------------|------|-----------|---------------------------------------|------|-----------|--------------------------------|
| 1.   | 530016153 | Screw                      | 19.  | 530071889 | Kit-Carb. Adaptor ( Incl. # 20,38,41) | 36.  | 530038729 | Ring-Piston                    |
| 2.   | 530039232 | Module-Ignition            | 20.  | 530071894 | Gasket-cyl. o-ring (kit)              | 37.  | 530057886 | Insert-Right (gray)Cyl.        |
| 3.   | 530016432 | Screw                      | 21.  | 952030150 | Accy-Spark Plug (RCJ-7Y)              | 38.  | 530071894 | Seal-Adaptor (kit)             |
| 4.   | 530058661 | Strap-Ground               | 22.  | 530071885 | Kit-Cylinder (Incl. 29,37)            | 39.  | 530016426 | Screw                          |
| 5.   | 530057943 | Assy-Wire Harness          | 23.  | 530058660 | Clip-High Tension Lead                | 40.  | 530071894 | Gasket-Carb. (kit)             |
| 6.   | 530055698 | Reflector-Tape             | 24.  | 530071887 | Backplate-Muffler                     | 41.  | 530057926 | Tube-Intake                    |
| 7.   | 530057872 | Shield-Cylinder(Incl. 1,6) | 25.  | 530057942 | Gasket-Muffler (kit)                  | 42.  | 530016101 | Nut-Carb.                      |
| 8.   | 530016080 | Screw                      | 26.  | 530071894 | Kit-Spark Arrestor                    | 43.  | 530071894 | Kit-Gasket (Incl. 20,26,38,40) |
| 9.   | 530057891 | Lever-Ignition Switch      | 27.  | 530071886 | Bolt-Muffler                          | 44.  | 530031163 | Scrench                        |
| 10.  | 530057908 | Spring-Ignition Switch     | 28.  | 530016338 | Insert-Left (black) Cyl.              |      |           | Not Shown                      |
| 11.  | 530059399 | Knob-Choke                 | 29.  | 530057885 | Assy-Crankshaft/Rod Bolt              |      |           |                                |
| 12.  | 530059001 | Cover-Air Filter           | 30.  | 530012537 | Cap-Crankcase                         |      |           |                                |
| 13.  | 530057869 | Filter-Air                 | 31.  | 530016417 | Assy-Bearing/Seal                     |      |           |                                |
| 14.  | 530016425 | Screw                      | 32.  | 530057941 | Kit-Piston (Incl. 35,36)              |      |           |                                |
| 15.  | 530150029 | Housing-Air Filter w/cable | 33.  | 530056363 | Retainer-Piston Pin                   |      |           |                                |
| 16.  | ---       | Carburetor                 | 34.  | 530071882 |                                       |      |           |                                |
|      | 530035590 | Zama W26                   | 35.  | 530015697 |                                       |      |           |                                |
| 17.  | 530069247 | Kit-Fuel Line (Small)      |      |           |                                       |      | 545047515 | Manual-Operator                |
| 18.  | 530047721 | Bulb-Purge "snap-in"       |      |           |                                       |      | 530059905 | Decal-Warning                  |

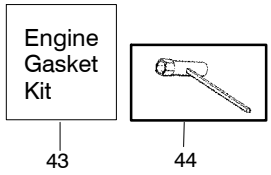
✓ = NEW PART NUMBER FOR THIS IPL      \* = REFER TO THE SERVICE REFERENCE INDICATED FOR MORE INFORMATION. (LOCATED AT END OF IPL)

|                                    |                                 |                              |  |
|------------------------------------|---------------------------------|------------------------------|--|
| PARTS LIST NO.<br><b>530165649</b> |                                 | <b>Poulan PRO</b> PARTS LIST | CHAIN SAW MODEL(s)<br><b>PP4218AV</b>  |
| DATE<br><b>7/03/08</b>             | Replaces<br>530165649 - 6/06/08 |                              | <b>Note:</b> Illustration may differ from actual model due to design changes |

**TYPE 2**



**⚠ WARNING**  
All repairs, adjustments and maintenance not described in the Operator's Manual must be performed by qualified service personnel.



| Ref. | Part No.  | Description                 | Ref. | Part No.  | Description                           | Ref.      | Part No.  | Description                    |
|------|-----------|-----------------------------|------|-----------|---------------------------------------|-----------|-----------|--------------------------------|
| 1.   | 530016153 | Screw                       | 19.  | 530071889 | Kit-Carb. Adaptor ( Incl. # 20,38,41) | 36.       | 530038729 | Ring-Piston                    |
| 2.   | 530039232 | Module-Ignition             | 20.  | 530071894 | Gasket-cyl. o-ring (kit)              | 37.       | 530057886 | Insert-Right (gray)Cyl.        |
| 3.   | 530016432 | Screw                       | 21.  | 952030150 | Accy-Spark Plug (RCJ-7Y)              | 38.       | 530071894 | Seal-Adaptor (kit)             |
| 4.   | 530058661 | Strap-Ground                | 22.  | 530071885 | Kit-Cylinder (Incl. 29,37)            | 39.       | 530016426 | Screw                          |
| 5.   | 530057943 | Assy-Wire Harness           | 23.  | 530058660 | Clip-High Tension Lead                | 40.       | 530071894 | Gasket-Carb. (kit)             |
| 6.   | 530055698 | Reflector-Tape              | 24.  | 545006007 | Kit-Muffler (Incl. 25-28)             | 41.       | 530057926 | Tube-Intake                    |
| 7.   | 530057872 | Shield-Cylinder (Incl. 1,6) | 25.  | 530057942 | Backplate-Muffler                     | 42.       | 530016101 | Nut-Carb.                      |
| 8.   | 530016080 | Screw                       | 26.  | 530071894 | Gasket-Muffler (kit)                  | 43.       | 530071894 | Kit-Gasket (Incl. 20,26,38,40) |
| 9.   | 530057891 | Lever-Ignition Switch       | 27.  | 545006056 | Kit-Spark Arrestor                    | 44.       | 530031163 | Scrench                        |
| 10.  | 530057908 | Spring-Ignition Switch      | 28.  | 530016338 | Bolt-Muffler                          |           |           | Not Shown                      |
| 11.  | 530059399 | Knob-Choke                  | 29.  | 530057885 | Insert-Left (black) Cyl.              | ✓         | 545186805 | Manual-Operator                |
| 12.  | 530059001 | Cover-Air Filter            | 30.  | 530012537 | Assy-Crankshaft/Rod Bolt              | 530059905 |           | Decal-Warning                  |
| 13.  | 530057869 | Filter-Air                  | 31.  | 530016417 | Bolt                                  |           |           |                                |
| 14.  | 530016425 | Screw                       | 32.  | 530057941 | Cap-Crankcase                         |           |           |                                |
| 15.  | 530150029 | Housing-Air Filter w/cable  | 33.  | 530056363 | Assy-Bearing/Seal                     |           |           |                                |
| 16.  | ---       | Carburetor Zama W26         | 34.  | 530071882 | Kit-Piston (Incl. 35,36)              |           |           |                                |
| 17.  | 530069247 | Kit-Fuel Line (Small)       | 35.  | 530015697 | Retainer-Piston Pin                   |           |           |                                |
| 18.  | 530047721 | Bulb-Purge "snap-in"        |      |           |                                       |           |           |                                |

✓ = NEW PART NUMBER FOR THIS IPL      \* = REFER TO THE SERVICE REFERENCE INDICATED FOR MORE INFORMATION. (LOCATED AT END OF IPL)