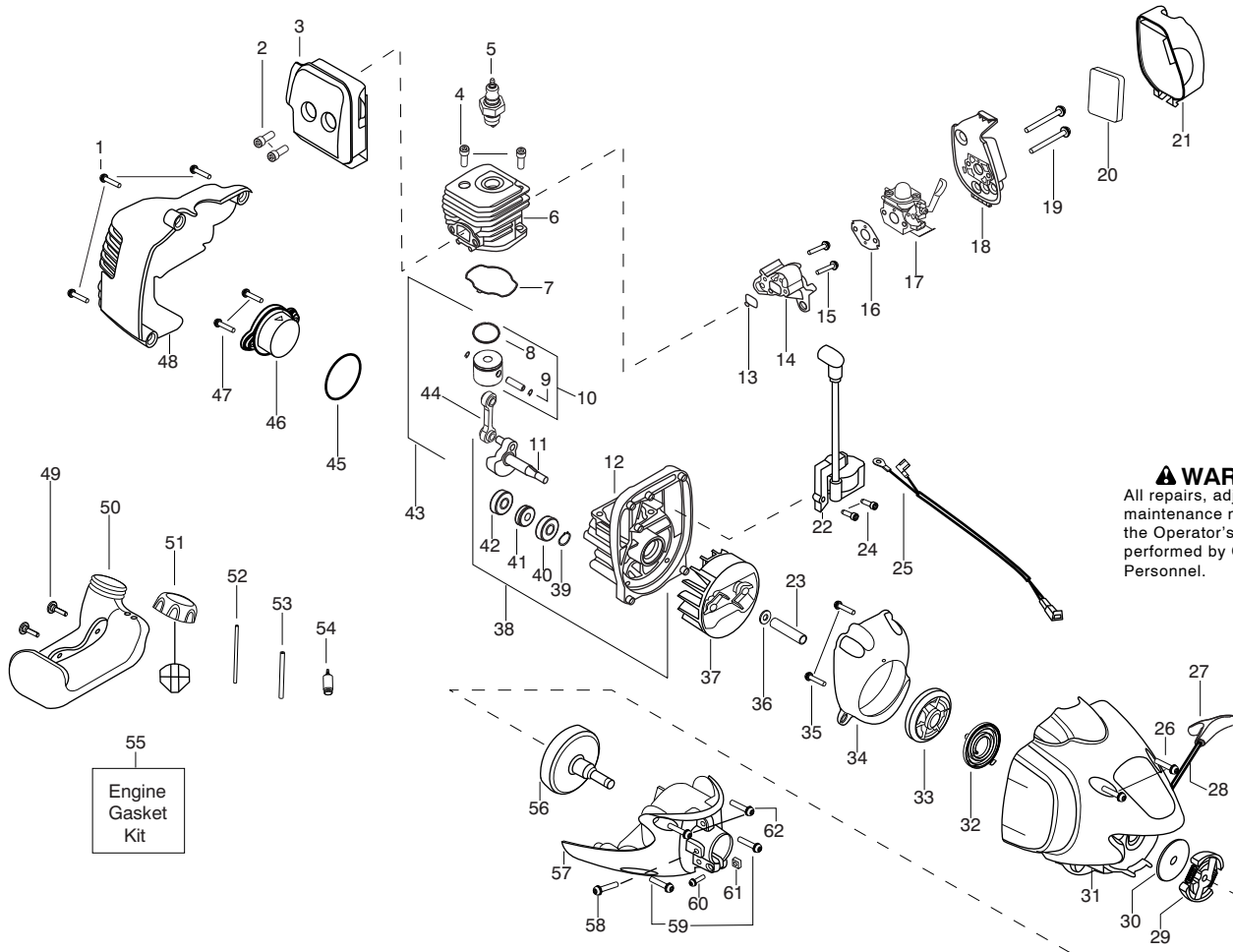


NOTE : Illustration may differ from actual model due to design changes.



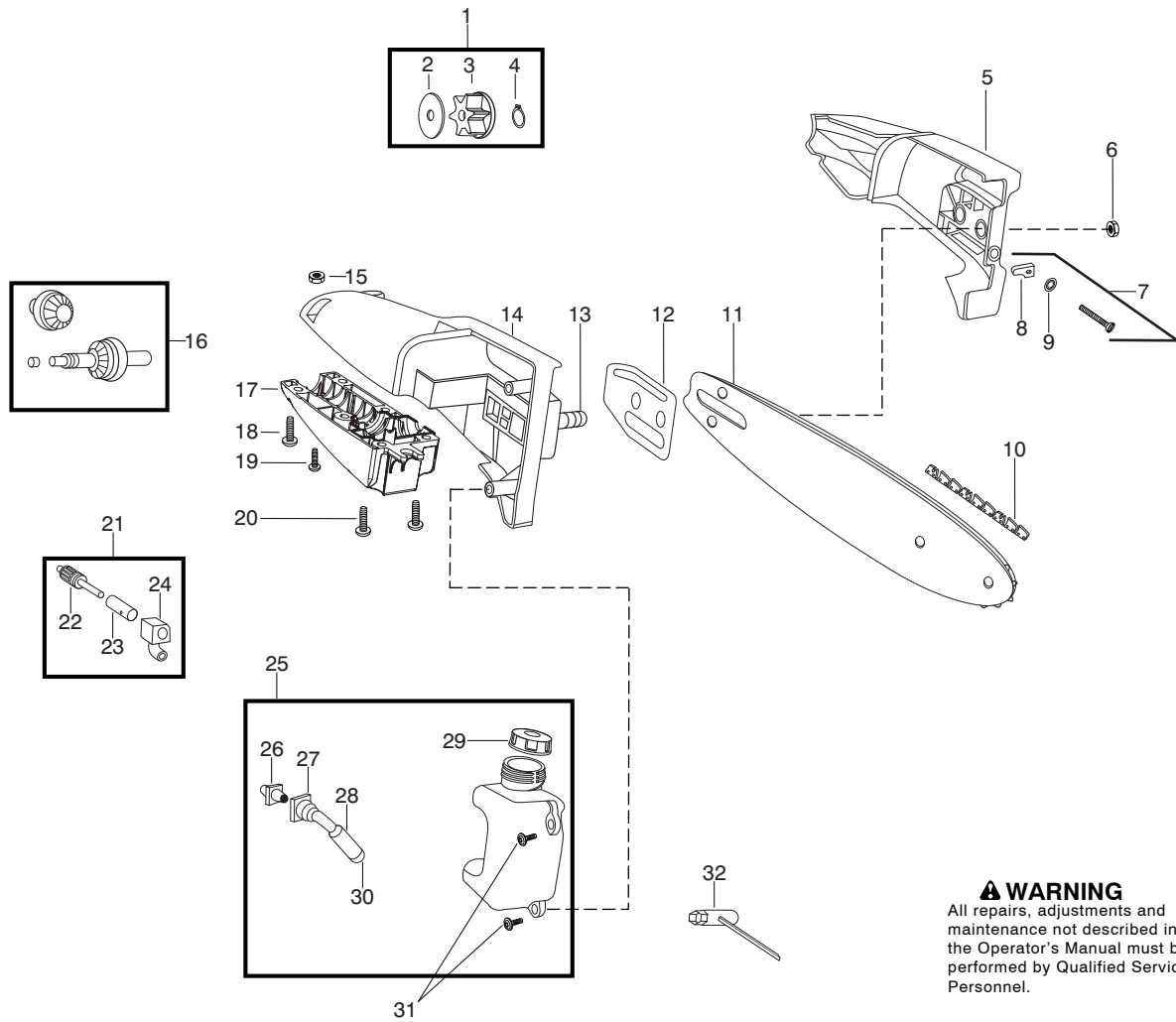
WARNING
All repairs, adjustments and maintenance not described in the Operator's Manual must be performed by Qualified Service Personnel.

Ref.	Part No.	Description	Ref.	Part No.	Description	Ref.	Part No.	Description
1.	530015880	Screw	21.	530057545	Cover - Air Box	44.	530069945	Kit - Connecting Rod
2.	530058982	Bolt - Muffler	22.	530039229	Module - Ignition	45.	-----	O-Ring/C'case (Ref. #55)
3.	545227901	Assy.- Muffler/Shield (Incl. 2)	23.	530059758	Spacer - Flywheel	46.	530057954	Assy. - Plug (Incl. 45)
4.	530015953	Screw - Cylinder	24.	530016357	Screw	47.	530016386	Screw
5.	952030249	Spark Plug (RCJ - 6Y)	25.	530047278	Assy. - Switch Wire	48.	530057539	Shroud - Rear
6.	530012541	Cylinder	26.	530016386	Screw	49.	530016445	Retainer - Tank Screw
7.	-----	Seal - Cylinder (Ref. #55)	27.	530054834	Handle - Starter	50.	545103702	Assy. - Fuel Tank (Incl. lines & fuel cap)
8.	545154001	Ring - Piston	28.	545050409	Kit - Rope	51.	530057973	Assy. - Fuel cap
9.	530015162	Retainer - Piston Pin	29.	530055122	Assy. - Clutch	52.	530069247	Kit - Fuel Line (small)
10.	530071833	Kit - Piston (Incl. 8, 9)	30.	530094189	Washer - Clutch	53.	530069216	Kit - Fuel Line (large)
11.	530012579	Assy. - Crankshaft	31.	545016004	Assy. - Fan Housing	54.	530095646	Assy. - Fuel Pickup/Filter
12.	530012582	Assy. - Crankcase (Incl. 40, 41, 42)	32.	545054901	Spring - Starter	55.	530071750	Kit - Engine Gasket (Incl. 7, 13, 16, 45)
13.	-----	Seal - Cyl./Carb. (Ref. #55)	33.	545050407	Kit - Starter Pulley	56.	530150247	Assy. - Clutch Drum
14.	530057547	Adapter - Carburetor	34.	545080601	Baffle	57.	545077301	Assy. - Clutch Cover (Incl. 60, 61)
15.	530016441	Screw	35.	530015880	Screw	58.	530016319	Screw - Align
16.	-----	Gasket - Carb. (Ref. #55)	36.	530016463	Washer - Clutch Flat	59.	530015772	Screw
17.	530071811	Kit - Carburetor (C1U-W19)	37.	530039243	Assy. - Flywheel	60.	530016381	Screw - 12/24
(Note: Repair kits are not available for this carburetor)			38.	530071951	Assy. - C'case / C'shaft (Incl. 11, 12, 39)	61.	530016382	Nut - 12/24
18.	545077501	Air Box	39.	530015941	Retainer Ring - C'shaft	62.	530015814	Screw
19.	530016429	Screw	40.	530055728	Bearing - Outer	Not Shown		
20.	530036575	Foam - Air Filter	41.	530019264	Seal - Crankshaft	530058709	Bulb - Purge	
			42.	530032125	Bearing - Inner			
			43.	530071785	Kit - Piston/Rod (Incl. 10, 44)			

✓ = New Part Number For This IPL

★ = Refer to the Service Reference Indicated for more information. (Located at the END of the IPL)

Parts List No. 579218001		Poulan PRO[®] PARTS LIST	MODEL PP258TPC (US/CAN)
Date 10/20/11	NEW		NOTE : Illustration may differ from actual model due to design changes.



⚠ WARNING
All repairs, adjustments and maintenance not described in the Operator's Manual must be performed by Qualified Service Personnel.

Ref.	Part No.	Description	Ref.	Part No.	Description
1.	530071647	Kit - Sprocket Assy. (Incl. 2,3,4)	22.	530053764	Assy. - Gear Plunger
2.	530056521	Washer	23.	530053765	Barrel
3.	530056520	Sprocket	24.	530057347	Assy- Oil Block (Incl. 23)
4.	530056563	Retainer - Sprocket	25.	530056528	Assy - Oil Tank (Incl. 26,27,28,29,30)
5.	530057100	Assy - Bar Clamp (Incl. 7)	26.	530056524	Fitting - Oil Line
6.	530015917	Nut - Bar Mounting	27.	530021160	Intake - Oil Line
7.	530069611	Kit - Bar Adjust (Incl. 8,9)	28.	530037821	Filter - Oil
8.	530015826	Pin - Bar Adjust	29.	530053072	Cap - Oil
9.	530038593	Retainer - Bar Adjust	30.	530030189	Plug - Oil Filter
10.	952051549	Accy. - Chain - 8"	31.	530015843	Screw (10-24 x 7/8")
11.	530044908	Bar - 8"	32.	530031163	Wrench - Bar
12.	530056523	Plate - Bar Pad			
13.	530016133	Bolt - Bar			
14.	530056513	Housing - Upper (Incl. 13)			
15.	530016284	Nut			
16.	530071646	Kit - Gear Assy.			
17.	530056514	Housing - Lower			
18.	530016312	Screw (10-24)			
19.	530015805	Screw - Alignment (10-14 x 1/2")			
20.	530015886	Screw (10-14 x 13/16")			
21.	530071645	Kit - Oil Assy (Incl. 22,23,24,26)			

✓ = New Part Number For This IPL

★ = Refer to the Service Reference Indicated for more information. (Located at the END of the IPL)