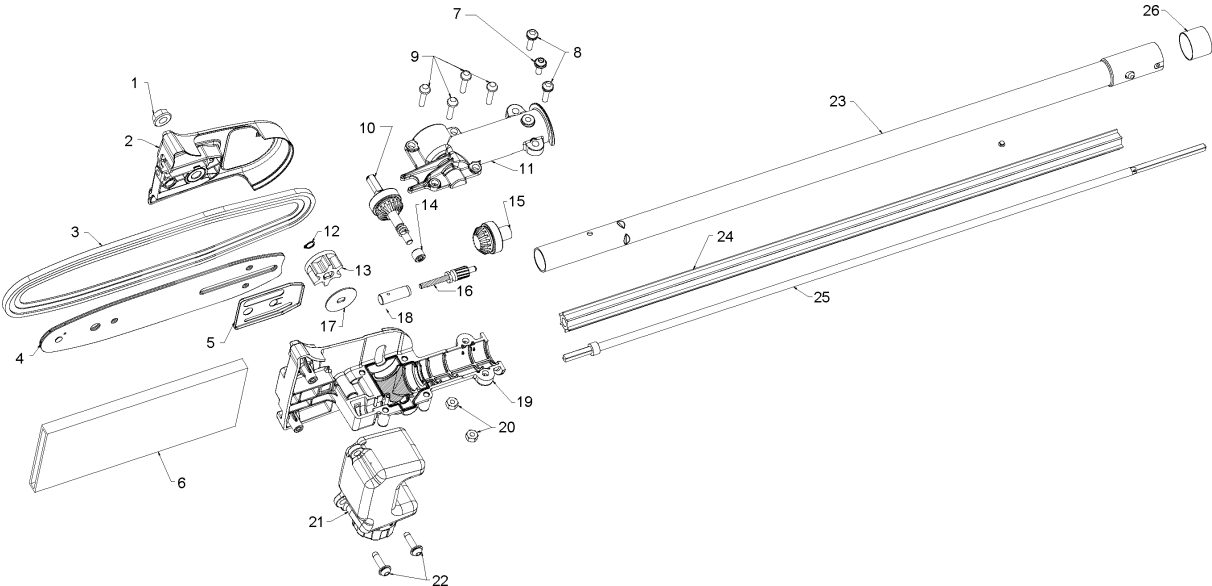




# SPARE PARTS LIST

POLE PRUNER/POLE SAWS

PR28PS, 967089801, 2016-09

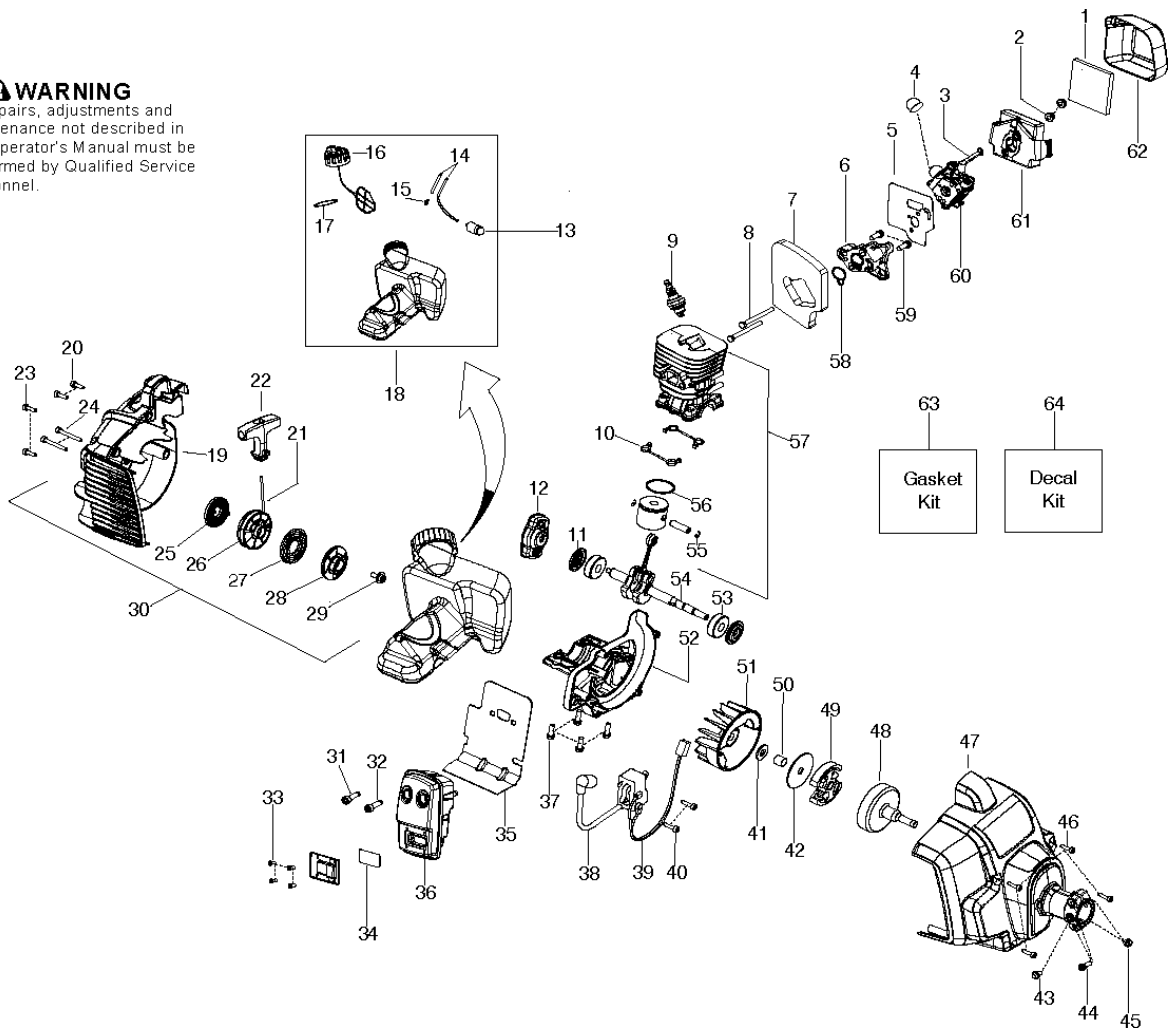


## CUTTING EQUIPMENT

PR28PS, 967089801, 2016-09

Ref	Part No	Description	Remark	QTY	KIT
1	530 01 59-17	NUT	NUT	1	
2	587 64 07-01	CLAMP ASSY	CLAMP ASSY POLE PRUNER BAR BLACK	1	
3	585 88 99-19	KIT	"SAW CHAIN 90P, 3/8" mini 1,1mm Chamf chisel, 34DL"	1	
4	530 04 49-08	BAR	"BAR 3/8" 1,1 Micro Lite"	1	
5	530 05 65-23	PLATE	BAR PLATE	1	
6	545 00 54-05	SCABBARD CARDBOARD	SCABBARD CARDBOARD	1	
7	530 01 58-05	SCREW	SCREW	1	
8	530 01 63-12	SCREW	SCREW	2	
9	530 01 58-86	SCREW	SCREW	4	
10	530 05 65-29	ASSY OUTPUT SHAFT PO	ASSY OUTPUT SHAFT PO	1	
11	587 54 68-01	HOUSING	HOUSING POLE SAW LOWER BLACK	1	
12	530 05 65-63	RETAINER	"RETAINER, SPROCKET"	1	
13	530 05 65-20	SPROCKET,	SPROCKET	1	
14	530 05 65-64	BEARING	BEARING	1	
15	530 05 65-30	ASSY GEAR & BEARING	ASSY GEAR & BEARING	1	
16	530 05 37-64	ASSY--GEAR PLUNGER,	ASSY GEAR PLUNGER	1	
17	530 05 65-21	WASHER	WASHER	1	
18	530 05 73-47	ASSY OIL BLOCK	ASSY OIL BLOCK	1	
19	587 55 23-01	HOUSING	HOUSING POLE SAW UPPER BLACK	1	
20	530 01 57-68	NUT	NUT	2	
21	530 05 65-28	ASSY OIL TANK PRUNER ATTACH	ASSY OIL TANK PRUNER ATTACH	1	
22	530 01 58-43	SCREW	SCREW	2	
23	530 09 59-10	ASSY TUBE LOWER DRIV	ASSY TUBE LOWER DRIV	1	
24	530 09 61-82	LINER CO EXTRUDED	LINER CO EXTRUDED	1	
25	530 09 62-18	SHAFT	FLEX SHAFT LOWER	1	
26	530 05 55-03	TUBE CAP	TUBE CAP	1	
	587 70 51-01	ATTACHMENT	POLE SAW	1	1-22

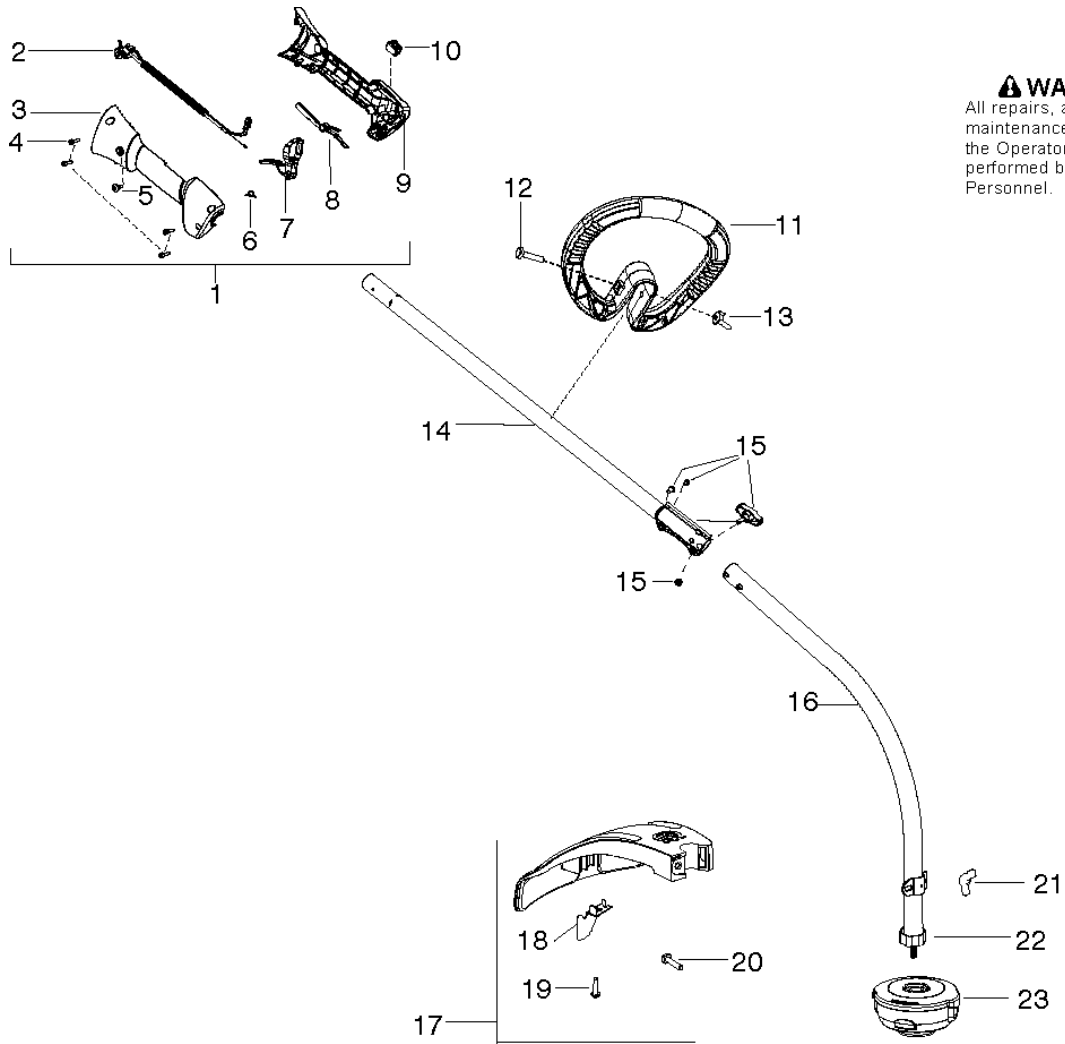
**⚠ WARNING**  
All repairs, adjustments and maintenance not described in the Operator's Manual must be performed by Qualified Service Personnel.



## ENGINE

PR28PS, 967089801, 2016-09

Ref	Part No	Description	Remark	QTY KIT
1	581 97 62-01	FILTER		
2	530 01 61-01	NUT		
3	585 16 58-01	CHOKE LEVER		
4	530 05 87-09	BULB		
5	585 34 59-06	KIT	CARBURETOR GASKET	
6	530 03 55-96	ADAPTER		
7	585 34 59-11	KIT	GASKET KIT	
8	530 01 64-00	BOLT		
9	952 03 02-01	SPARK PLUG		
10	545 08 33-01	SEAL CYLINDER		
11	585 34 59-11	KIT	GASKET KIT	
12	525 84 56-01	BRIDGE		
13	577 16 72-01	ASSEMBLY	FUEL FILTER	
14	530 06 95-99	HOSE		
15	581 41 10-01	FUEL HOSE		
16	578 93 10-02	FUEL CAP ASSY		
17	585 34 59-11	KIT	GASKET KIT	
18	585 34 59-01	KIT	FUEL TANK	
19	585 86 74-01	HOUSING		
20	545 00 35-11	SCREW		
21	545 00 80-79	KIT-ROPE		
22	545 20 84-01	STARTER HANDLE		
23	545 00 35-11	SCREW		
24	530 01 64-26	SCREW		
25	545 00 80-87	SPRING		
26	579 06 68-01	KIT	STARTER PULLEY	
27	578 46 51-01	SPRING		
28	579 36 62-01	PULLEY		
29	530 01 64-68	SCREW		
30	585 34 59-09	KIT		
31	530 05 89-82	BOLT		
32	530 05 89-82	BOLT		
33	530 01 52-41	SCREW		
34	545 03 05-01	SCREEN		
35	585 34 59-11	KIT	GASKET KIT	
36	585 34 59-03	KIT		
37	530 01 58-97	SCREW		
38	545 04 67-01	IGNITION MODULE		
39	585 69 60-01	WIRE		
40	530 01 64-56	SCREW		
41	530 01 64-63	WASHER		
42	530 09 41-89	WASHER		
43	530 01 58-05	SCREW		
44	530 01 57-74	SCREW		
45	530 01 57-68	NUT		
46	530 01 64-56	SCREW		
47	583 97 48-03	HOUSING		
48	580 44 66-01	KIT	CLUTCH DRUM	
49	585 57 87-01	CLUTCH		
50	530 05 78-52	RING		
51	530 03 92-42	FLYWHEEL		
52	577 92 95-02	CRANKCASE		
53	545 01 34-01	BEARING		
54	545 19 52-02	ASSY-CRANKSHAFT		
55	530 01 51-62	CIRCLIP		
56	575 22 79-01	RING		
57	585 34 59-10	KIT		
58	585 34 59-11	KIT	GASKET KIT	
59	530 01 58-97	SCREW		
60	585 34 59-13	KIT		
61	581 86 64-01	HOUSING		
62	585 16 57-01	COVER		
63	585 34 59-11	KIT	GASKET KIT	
64	582 63 43-02	DECAL	DECAL KIT	



**⚠ WARNING**

All repairs, adjustments and maintenance not described in the Operator's Manual must be performed by Qualified Service Personnel.

## SHAFT &amp; HANDLE

PR28PS, 967089801, 2016-09

Ref	Part No	Description	Remark	QTY KIT
1	584 44 03-06	HOUSING		
2	585 20 56-03	CABLE		
3	545 18 76-01	HANDLE HALF		
4	530 01 64-49	SCREW		
5	530 01 64-49	SCREW		
6	545 19 00-01	SPRING		
7	585 21 70-03	TRIGGER		
8	545 18 78-03	THROTTLE LOCKOUT		
9	545 18 75-01	HANDLE HALF		
10	545 04 93-09	SWITCH MOMENTARY		
11	530 05 85-83	ASSEMBLY		
12	530 01 58-20	SCREW		
13	530 01 61-52	WING NUT		
14	582 63 46-01	SHAFT	UPPER SHAFT	
15	582 53 22-01	SERVICE KIT	KNOB & SCREW	
16	585 34 59-07	KIT	LOWER END	
17	585 34 59-04	KIT	SHIELD	
18	581 55 40-01	LINE	LIMITER	
19	530 01 58-14	SCREW		
20	530 01 58-20	SCREW		
21	530 01 61-52	WING NUT		
22	545 01 74-04	DUST CAP		
23	537 41 92-21	TRIMMER HEAD		