

ILLUSTRATED PARTS LIST

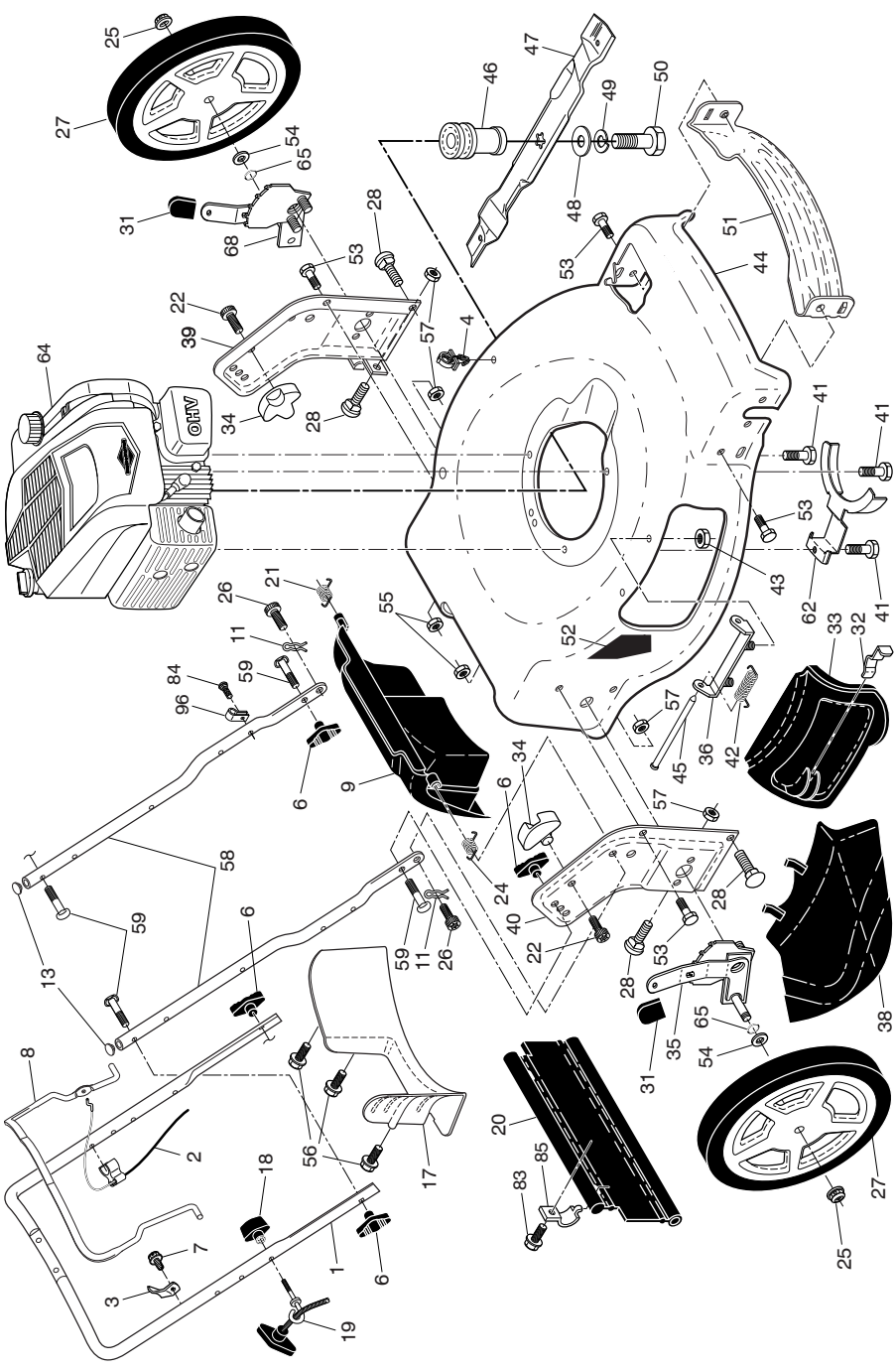
POULAN[®]PRO

ROTARY LAWN MOWER

MODEL NUMBER: **PR675Y22RHP**

MFG. ID. NUMBER: **96142014101**

POULAN PRO LAWN MOWER - - MODEL NUMBER PR675Y22RHP (MFG. ID. NO. 96142014101)

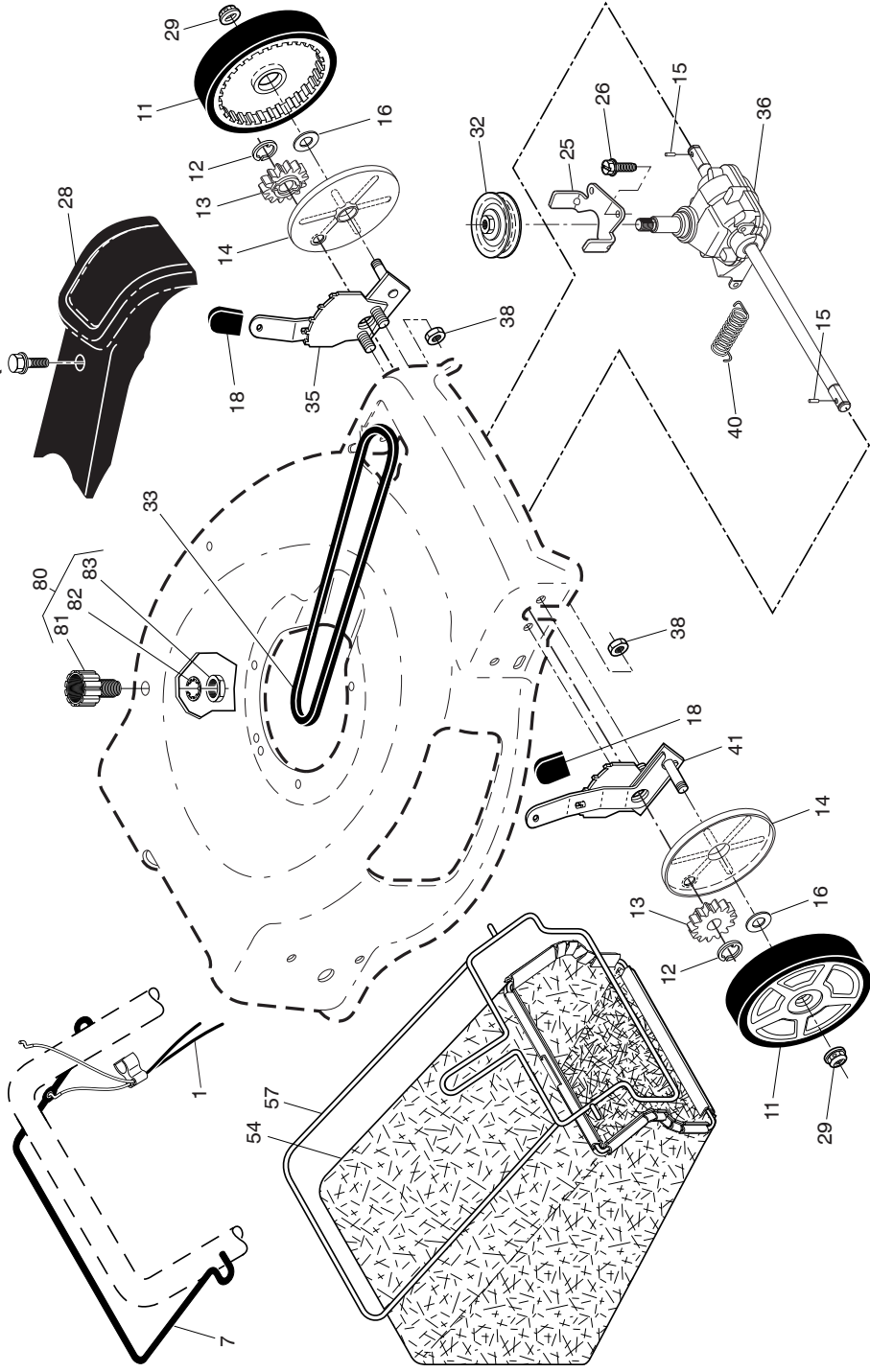


POULAN PRO LAWN MOWER - - MODEL NUMBER PR675Y22RHP (MFG. ID. NO. 96142014101)

KEY NO.	PART NO.	DESCRIPTION	KEY NO.	PART NO.	DESCRIPTION	KEY NO.	PART NO.	DESCRIPTION
1	585 86 48-05	Handle, Upper	33	532 43 26-42	Mulcher Door	55	532 19 17-30	Nut, Hex, Flanged 1/4-20
2	532 42 09-39	Cable, Engine Zone Control	34	532 43 81-34	Pivot Bracket	56	817 41 13-12	Screw, Hex Washer Head #13 x 3/4
3	532 43 00-34	Bracket, Upstop	35	532 43 11-40	Wheel Adjuster, Rear, RH	57	532 15 53-77	Nut, Hex 3/8-16
4	532 14 50-06	Guide, Cable	36	532 17 57-35	Hinge Bracket Assembly	58	585 90 82-02	Bar, Handle, Lower
6	532 19 19-38	Handle Knob	38	532 42 61-29	Discharge Deflector	59	532 19 15-74	Handle Bolt
7	532 17 88-48	Screw #10-16 x 5/8	39	585 90 07-02	Handle Bracket, LH	62	532 43 50-59	Belt Retainer
8	581 80 20-01	Control Bar	40	585 90 08-02	Handle Bracket, RH	64	- - -	Engine, Briggs & Stratton, Model Number 103M02-0008-F1 (For engine service and replacement parts, call B&S at 1-800-233-3723)
9	532 42 10-84	Rear Door Assembly	41	532 15 04-06	Screw, Dogpoint 3/8-16 x 1-1/8			O-Ring
11	532 42 55-75	Hairpin, Door/Handle Pivot	42	532 19 30-00	Spring, Torsion	65	532 19 74-80	Wheel Adjuster, Rear, LH
13	532 43 75-16	Plug, Lower Handle Bar	43	532 19 17-30	Nut, Hex, Nylock	68	532 43 11-41	Screw, Hex Washer Head
17	532 42 73-07	Rear Baffle	44	532 43 17-79	Kit, Lawn Mower Housing	83	532 75 00-97	Fastener, Push
18	581 91 26-01	T-Knob	45	532 17 56-50	Rod, Hinge	84	532 42 81-24	Mounting Bracket, Skirt
19	581 90 21-01	Rope Guide	46	591 34 48-01	Blade Adapter / Pulley	96	532 19 79-91	Clip, Cable
20	532 42 91-57	Rear Skirt	47	532 40 67-13	Blade, 22"	- -	532 42 38-49	Bag of Parts (Includes Key Numbers 6 and 59)
21	532 41 99-49	Spring, Rear Door, LH, Black	48	532 85 10-74	Washer, Flat, Hardened	- -	115 58 78-27	Operator's Manual, English
22	532 14 18-41	Screw, Panhead, Torx #20	49	532 85 02-63	Lockwasher, Helical Spring	- -	115 58 78-31	Operator's Manual, French
24	532 41 99-48	Spring, Rear Door, RH, Grey	50	532 85 10-84	Bolt, Hex Head, Grade 8, 3/8-24 x 1-3/8	- -	115 58 78-46	Operator's Manual, Spanish
25	532 40 91-49	Nut, Hex, Flanged	51	532 43 05-99	Front Baffle			
26	532 41 99-45	Screw, Door/Handle Pivot	52	532 40 47-63	Decal, Danger			
27	581 01 03-12	Wheel & Tire Assembly, Rear	53	817 00 05-10	Screw, Hex Head			
28	586 21 25-01	Bolt, Carriage 5/16-18 x 5/8	54	532 08 83-48	Washer, Flat			
31	532 70 10-37	Selector Knob						
32	532 44 11-92	Latch, Mulcher Door						

NOTE: All component dimensions given in U.S. inches. 1 inch = 25.4 mm. **IMPORTANT:** Use only Original Equipment Manufacturer (O.E.M.) replacement parts. Failure to do so could be hazardous, damage your lawn mower and void your warranty.

POULAN PRO LAWN MOWER -- MODEL NUMBER PR675Y22RHP (MFG. ID. NO. 96142014101)



4

POULAN PRO LAWN MOWER -- MODEL NUMBER PR675Y22RHP (MFG. ID. NO. 96142014101)

KEY NO.	PART NO.	DESCRIPTION	KEY NO.	PART NO.	DESCRIPTION
1	588 47 92-01	Cable, Drive Control	32	586 98 97-01	Drive Pulley
7	532 43 52-81	Bar, Drive Control	33	532 19 68-53	V-Belt
11	581 00 92-05	Wheel & Tire Assembly, Front	35	581 49 79-07	Wheel Adjuster, Front, LH (Includes Bearing)
12	812 00 00-58	E-Ring	36	532 42 47-41	Gear Case Assembly, Complete
13	532 40 38-49	Pinion	38	532 43 81-30	Locknut, Hex 1/4-20
14	581 84 04-01	Dust Cover	40	532 40 65-58	Spring
15	532 40 48-45	Pawl, Drive	41	581 49 79-08	Wheel Adjuster, Front, RH (Includes Bearing)
16	532 06 77-25	Washer, Flat 3/8	54	580 94 73-20	Grassbag
18	532 70 10-37	Selector Knob	57	585 05 47-02	Frame, Grassbag
25	532 43 17-11	Belt Keeper	80	532 42 11-14	Water Washout Assembly
26	532 16 34-09	Screw, Hi-Lo Thread #12 x 5/8	81	532 41 97-35	Fitting, Hose, Water Washout
28	587 99 78-01	Drive Cover Assembly (Includes Mounting Screw and Pushnut)	82	532 41 55-85	Washer, Lock, Internal Tooth
29	532 40 91-48	Locknut, Hex	83	532 41 55-86	Locknut, Hex, with O-Ring

5

NOTE: All component dimensions given in U.S. inches. 1 inch = 25.4 mm. **IMPORTANT:** Use only Original Equipment Manufacturer (O.E.M.) replacement parts. Failure to do so could be hazardous, damage your lawn mower and void your warranty.