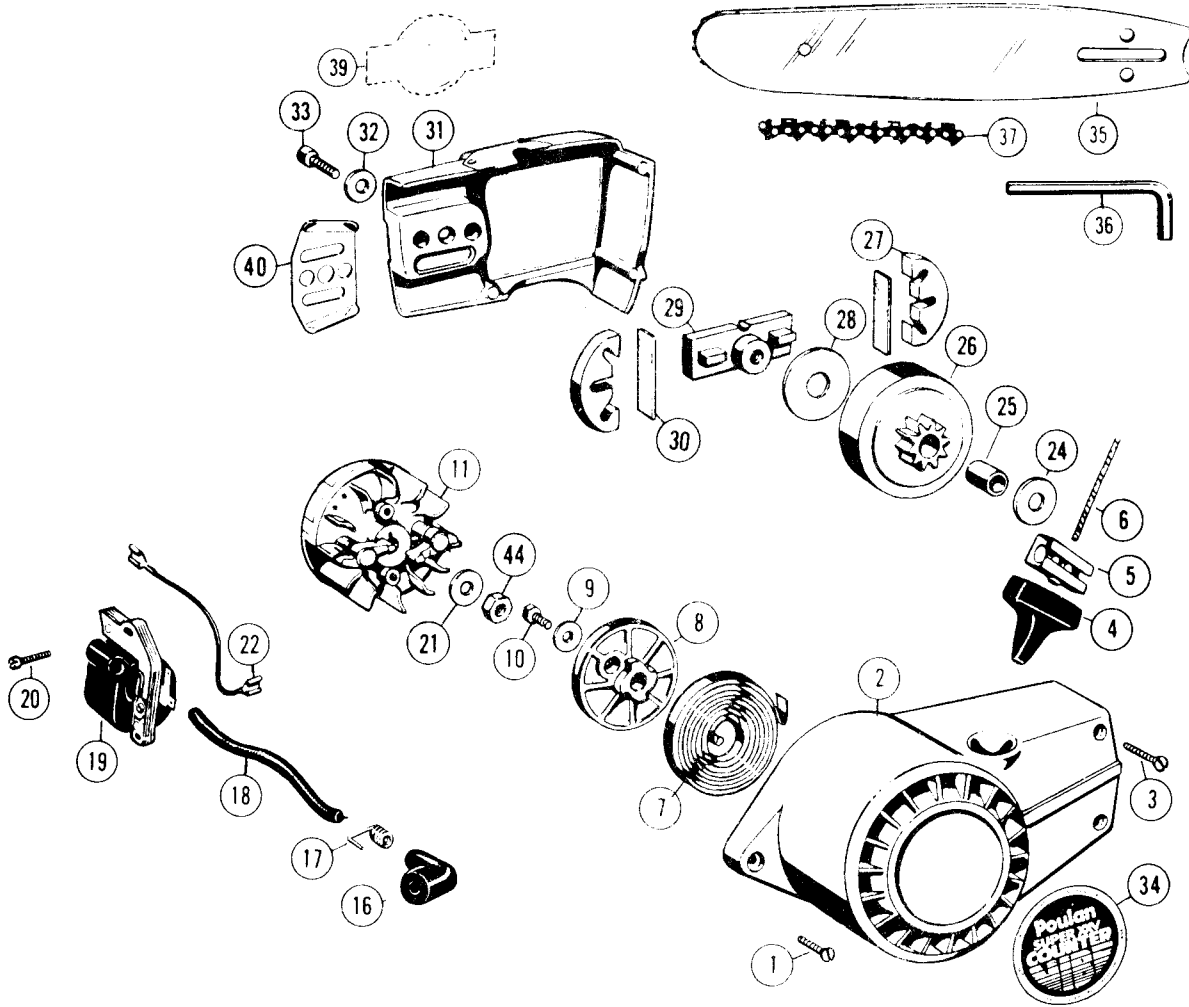
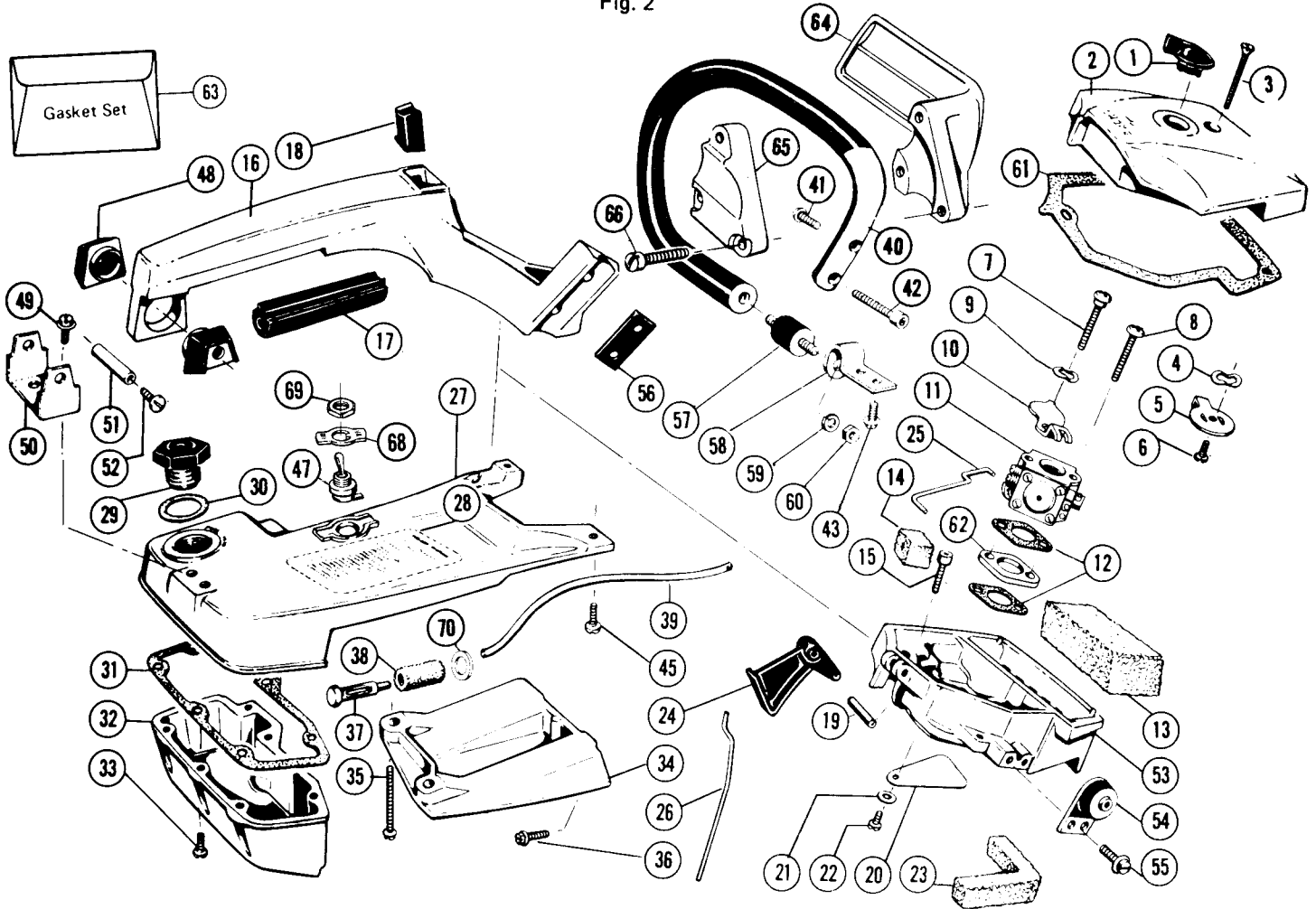


Fig. 1



Ref. No.	Part No.	Qty. Req.	Description	Ref. No.	Part No.	Qty. Req.	Description
1	15074	1	Screw - front fan housing	24	23378	1	Thrust washer - clutch
2	11243	1	Fan housing	25	32022	1	Bushing - clutch
3	15122	2	Screws - rear fan housing	26	48024	1	Drum and sprocket assy. 6 tooth 3/8 pitch
4	42024	1	Handle - starter	27	23379	2	Clutch shoes
5	4268	1	Rope - anchor	28	23382	1	Clutch plate
6	42034	1	Rope - starter	29	22079	1	Clutch spider
7	42023	1	Spring - starter	30	23381	2	Clutch springs
8	10356	1	Starter pulley (includes No. 9)	31	11239	1	Bar clamp
9	15428	1	Washer - starter pulley	32	15149	1	Washer - bar clamp
10	1724	1	Screw - starter pulley	33	15183	1	Screw - bar clamp
11	39111	1	Flywheel assembly	34	23621	1	Fan housing decal S25CVA
16	39072	1	Boot - spark plug	35	44134	1	Bar 16" - sprocket nose
17	39071	1	Spring - plug connector	36	31017	1	Bar wrench
18	39026	1	Lead - high tension	37	51222	1	Chain 16", 3/8 pitch, P101 chromed
19	39088	1	Module ign. (includes 16,17 &18)	39	23464	1	Decal - bar clamp
20	15128	2	Screws - coil mounting	40	23864	2	Guide plate
21	15127	2	Washer - Flywheel	44	626605	1	Nut - flywheel
22	39091	1	Lead - stop switch				

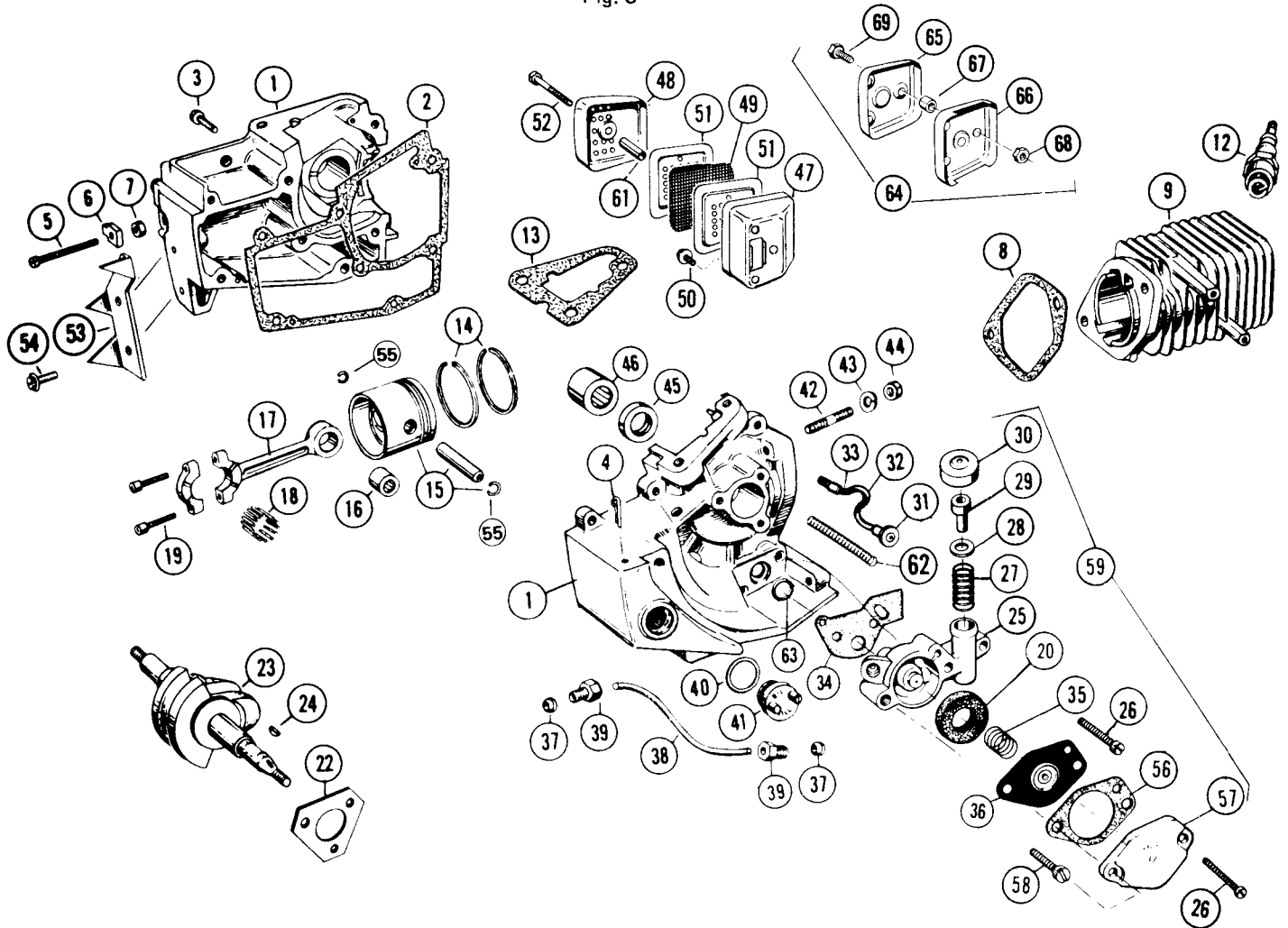
Fig. 2



Ref. No.	Part No.	Qty. Req.	Description	Ref. No.	Part No.	Qty. Req.	Description
1	23376	1	Choke knob	34	11147	1	Cylinder Shield
2	11238	1	Carburetor cover	35	15152	2	Screws - Cylinder Shield - Rear
3	15144	1	Screw-Carburetor cover	36	1709	2	Screws - Cylinder Shield - Front
4	15147	1	Wave washer-choke lever	37	23363	1	Weight-Fuel pick up
5	23876	1	Choke lever	38	23364	1	*Felt-Fuel pick up
6	625712	1	Screw-Choke lever	39	21014	1	Line-Fuel pick up (Bulk No. 8133)
7	15256	1	Shoulder screw-carburetor	40	22182	1	Front handle bar
8	15257	1	Roundhead screw-carburetor	41	15194	1	Screw-Top Front Handle
9	15146	1	Wave washer-Shutter	42	15196	1	Screw-Front handle bar-Top
10	23841	1	Choke-Shutter	43	15037	2	Screw-Front handle bar-Bottom
11	35002	1	Carburetor	45	15129	2	Screws-Handle to gas tank, Front
12	19045	2	*Gasket-Carburetor	47	23573	1	Switch - Start/Stop
13	23369	1	Air Filter	48	23597	2	Isolator mounting-handle to Gas Tank
14	23373	1	*Boot Throttle wire	49	15036	2	Screw-Bracket to Gas Tank
15	1636	3	Screws-Carburetor housing to C'case	50	23598	1	Bracket-Isolator-gas tank
16	11237	1	Handle	51	23611	1	Spacer-Rear mounting
17	23599	1	Grip-handle	52	15192	2	Screw-Rear Mounting Spacer
18	23595	1	Button-Oil pump	53	11297	1	Carburetor housing
19	15193	1	Pin-Trigger	54	23596	1	Isolator Mounting-Handle to carb.
20	23366	1	Reed	55	15036	2	Screws-Bracket to carb. housing
21	23367	1	Reed Stop	56	23612	1	Isolator-Pad
22	15139	1	Screw Reed	57	23602	1	Isolator-Front handle
23	23388	1	*Dust seal	58	23603	1	Bracket-Front handle
24	23601	1	Trigger	59	1642	1	Lockwasher-Front handle bracket
25	23372	1	Throttle Rod	60	15197	1	Nut-Front handle bracket
26	23594	1	Push rod-Oil pump	61	19074	1	*Gasket-Carburetor housing
27	11235	1	Gas tank top	62	23872	1	Spacer-carburetor
28	23384	1	Decal-instruction	63	69023	1	*Gasket Kit
29	10123	1	Gas Cap Ass'y. includes Ref. 30	64	24089	1	Handguard
30	19048	1	*Gasket-Gas cap	65	24049	1	Cap-Handguard
31	19047	1	*Gasket-Gas tank	66	15312	3	Screw-Plastite
32	11143	1	Gas tank bottom	67	10251	1	Handguard Ass'y. incl. 64, 65, 66
33	15138	5	Screws-Gas tank	68	24858	1	Plate - Switch Indicator
				69	23575	1	Nut - Switch
				70	15252	1	Washer

(*) Indicates Contents of Gasket Kit

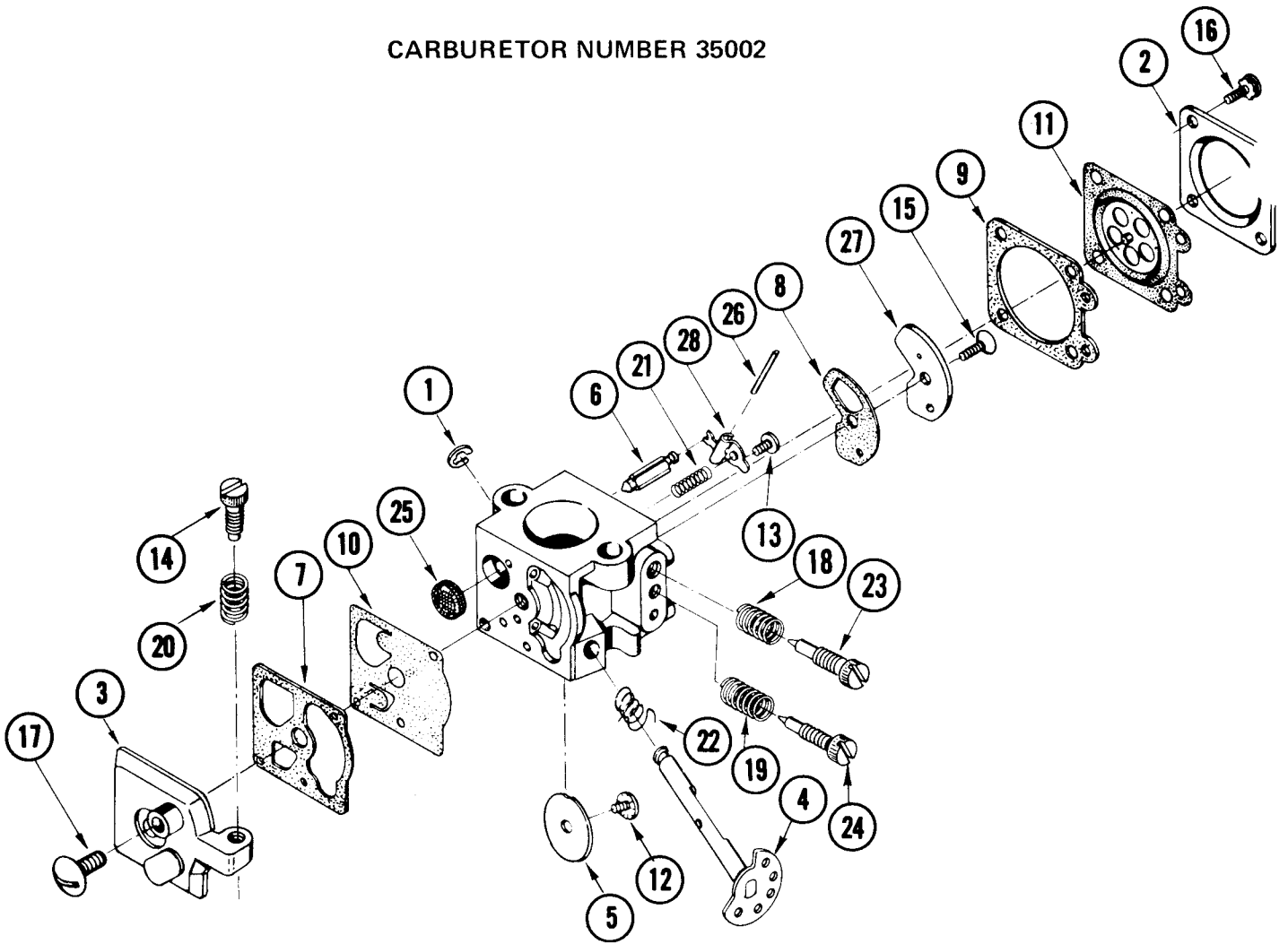
Fig. 3



Ref. No.	Part No.	Qty. Req.	Description	Ref. No.	Part No.	Qty. Req.	Description
1	10223	1	Crankcase ass'y includes Ref. 2, 4, 5, 6, 7, 42, 45 & 46	37	2464	2	Ferrule – 1/8" Tubing
2	19044	1	*Gasket – crankcase	38	21013	1	Discharge line – oil pump (bulk 8115)
3	15136	7	Screws – crankcase	39	2615	2	Fitting – discharge line
4	15108	1	Cotter pin	40	1949	1	*O'Ring – oil cap
5	15134	1	Screw – bar adjusting	41	2592	1	Oil cap
6	23492	1	Pin – bar adjusting	42	1674	2	Studs – cylinder
7	15135	1	Nut – bar adjusting	43	1677	2	Washers – cylinder
8	19043	1	*Gasket – cylinder	44	1660	2	Nuts – cylinder
9	11542	1	Cylinder	45	19051	2	*Seal
12	30005	1	Spark plug	46	32021	2	Bearing
13	19049	1	*Gasket – carburetor housing to c'case	47	23604	1	Body – Spark arresting muffler
14	23485	2	Piston rings	48	23589	1	Cover – muffler
15	23484	1	Piston ass'y includes Ref. 55	49	23592	1	Screen – muffler
16	32018	1	Piston pin bearing	50	1709	2	Screws – muffler body
17	22077	1	Connecting rod ass'y includes Ref. 16 & 19	51	23591	2	Baffle – muffler
18	32019	1	Crankpin rollers (strip of 28)	52	15189	1	Screw – muffler cover
19	1723	2	Screws – connecting rod	53	23387	–	Spur – optional
20	23698	1	*Filter – Pump Body	54	15036	2	Screws – spur optional
22	23354	2	Thrust washer – crankcase	55	15131	2	Retainer – Piston Pin
23	22177	1	Crankshaft	56	19053	1	*Gasket – oil pump cover
24	15126	1	Key – flywheel	57	11163	1	Cover – oil pump
25	10178	1	Oil pump body assy.	58	15114	1	Screw – cover
26	15137	2	Screws – oil pump	59	10177	1	Oil pump assy.
27	23358	1	Spring – oil pump	61	15187	1	Spacer – muffler
28	19029	1	Quad ring – plunger	62	23456	1	Spring – oil line protector
29	23357	1	Plunger – oil pump	63	1952	1	O-Ring
30	23356	1	Cap – oil pump	64	10259	1	Cover & Shield Ass'y. includes 65, 66, 67, 68 & 69 (optional)
31	23148	1	Intake valve – oil pump	65	24203	1	Heat Shield (optional)
32	21012	1	Oil line (bulk 8132)	66	24204	1	Cover-muffler (optional)
33	2589	1	Weight – oil pick up	67	15331	3	Spacer – cover (optional)
34	19054	1	*Gasket – oil pump body	68	15332	3	Locking Nut 8-32 (optional)
35	23699	1	Spring – diaphragm	69	15333	3	Screw 8-32x7/16 (optional)
36	22124	1	Diaphragm	70	69035	–	Kit – muffler heat shield includes item 64 & instructions (optional)

(*) Indicates Contents of Gasket Kit

CARBURETOR NUMBER 35002



Ref. No.	Part No.	Description
1	35007	Clip-Throttle Shaft
2	35003	Cover-Metering Diaphragm
3	35033	Cover-Fuel Pump
4	35034	Shaft-Throttle
5	35006	Shutter-Throttle
6	35008	*Valve-Inlet Needle
7	35009	*Gasket-Fuel Pump
8	35012	*Gasket-Circuit Plate
9	35011	*Gasket-Metering Diaphragm
10	35013	*Diaphragm-Fuel Pump
11	35014	*Diaphragm-Metering
12	35015	*Screw-Throttle Shutter
13	35016	Screw-Metering Lever Pin
14	35035	Screw-Idle Adj.
15	35018	*Screw-Circuit Plate
16	35021	Screw Assembly-Metering Cover
17	35017	Screw-Pump Cover
18	35036	Spring-High Speed Needle
19	35023	Spring-Idle Needle
20	35038	Spring-Idle Adj. Screw
21	35047	*Spring-Metering Lever
22	35024	Spring-Throttle Return
23	35053	Needle-High Speed Adj.
24	35039	Needle-Idle Adj.
25	35027	*Screen-Inlet
26	35028	*Pin-Metering Lever
27	35042	Plate-Circuit
28	35031	*Lever-Metering
	35049	Kwik Kit-Repair

(*) Indicates contents of Repair Parts Kit