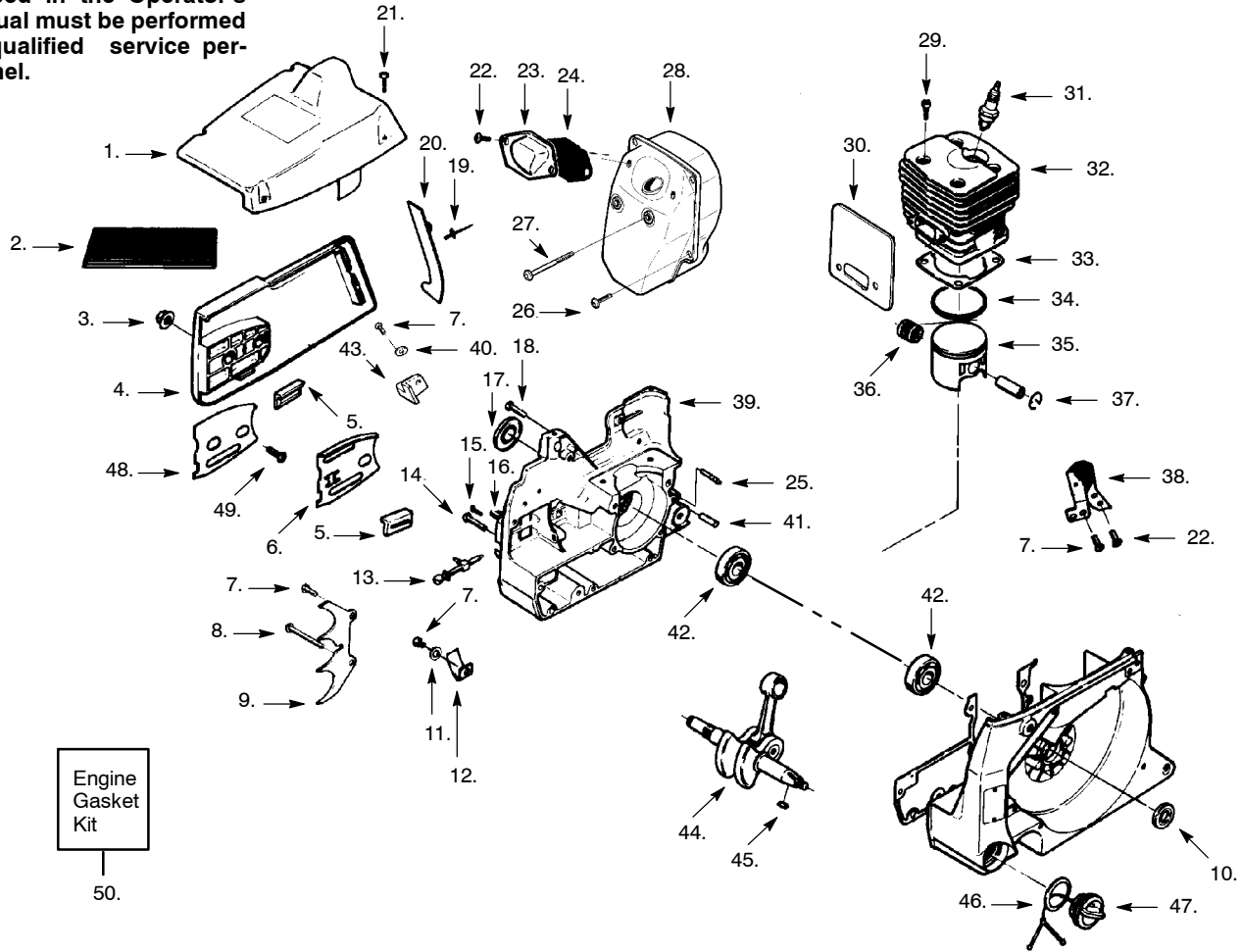


PARTS LIST NO. 530-067868		POULAN PRO® PARTS LIST	MODEL(S) 415/475
DATE 11/15/94	REPLACES 530-067868-5/18/93		NOTE: Illustration may differ from actual model due to design changes

⚠ WARNING

All repairs, adjustments and maintenance not described in the Operator's Manual must be performed by qualified service personnel.

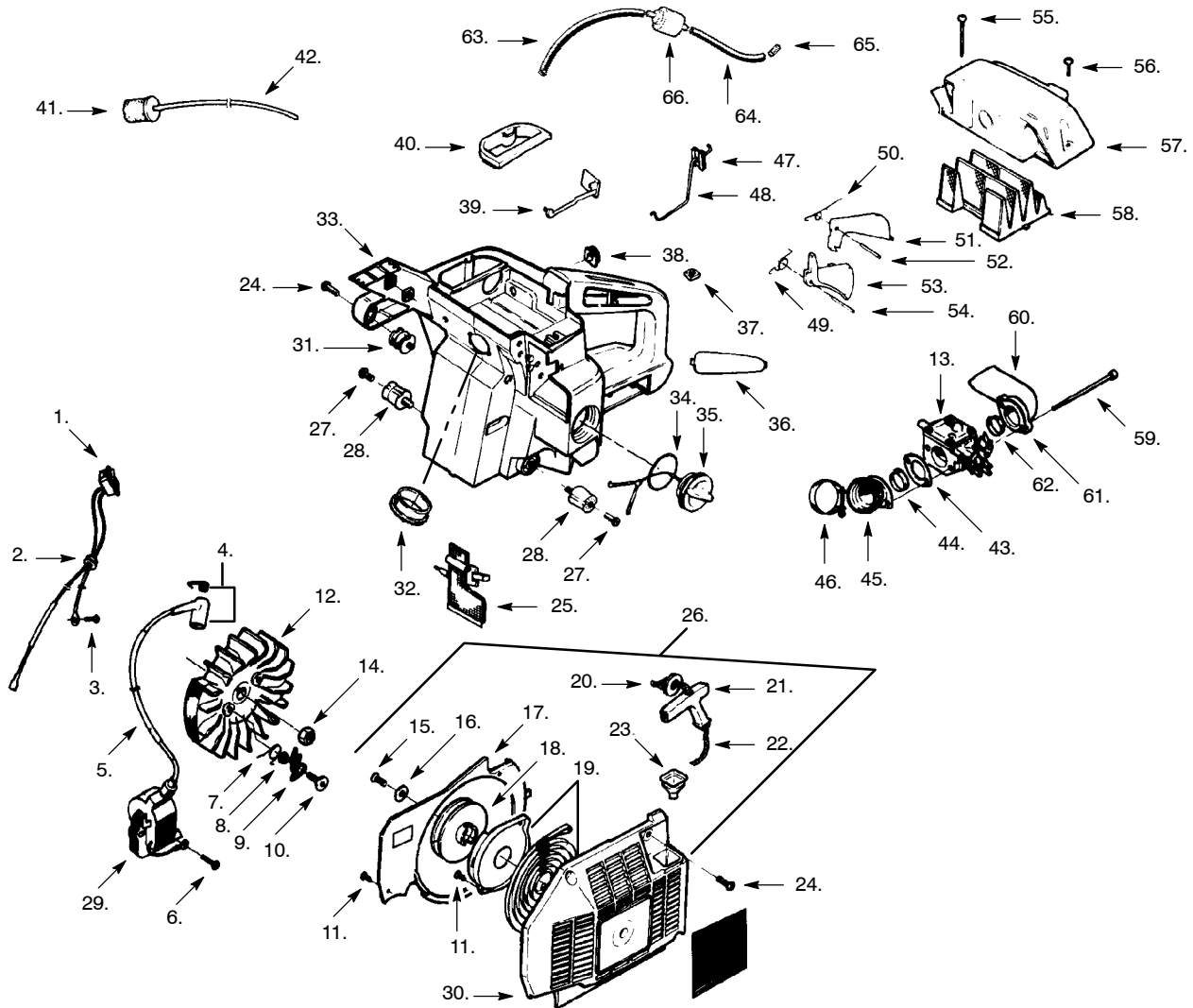


Ref.	Part No.	Description	Ref.	Part No.	Description	Ref.	Part No.	Description
1.	503-433302	Cylinder Cover	24.	503-435501	Spark Arrestor	40.	503-230035	Washer
2.	-	Decal	25.	503-424301	Fitting	41.	501-270801	Pin
	503-430801	Model 415	26.	503-200320	Screw	42.	738-220225	Crankshaft Bearing
	503-439401	Model 475	27. ✓	725-538855	Screw	43.	503-554101	Rear Chain Catcher
3.	503-220001	Nut	28. ✓	503-713705	Muffler Ass'y (Incl. 22-24)	44.	506-088602	Crankshaft Ass'y. (Incl. 36, 42, & 45)
4.	506-093101	Bar Clamp	29.	725-533155	Screw	45.	735-880600	Flywheel Key
5.	501-517201	Chain Pad	30.	503-437901	Heat Shield	46.	501-626801	O Ring
6.	501-814801	Bar Plate-Inner	31. ✓	952-030150	Spark Plug	47.	501-626601	Oil Cap Ass'y.
7.	503-200216	Screw	32.	-	Cylinder (Incl. 34-37)	48.	501-444501	Bar Plate-Outer
8.	503-200265	Screw	33.	503-428601	Gasket	49.	503-212806	Screw
9.	503-424101	Spur	34.	-	Piston Ring Model 415	50.	503-438301	Engine Gasket Kit
10.	505-275719	Oil Seal		503-289015	Model 475			
11.	503-230042	Washer	35.	-	Piston Ass'y. (Incl. 34,35 & 37)			
12.	501-686801	Chain Catcher		503-437702	Model 415			
13.	501-537101	Chain Adjuster		503-420802	Model 475			
14.	503-200245	Screw	36.	501-511301	Piston Pin Bearing			
15.	721-613800	Vent Pin	37.	737-431200	Keeper			
16.	501-815701	Bar Stud	38.	503-433701	Shock Mount			
17.	503-422201	Oil Seal	39. ✓	503-420005	Crankcase Ass'y. (Incl. 5, 12, 15, 25, 41 & 42)			
18.	503-200225	Screw						
19.	501-608201	Pop Rivet						
20.	506-093301	Deflector						
21.	503-203219	Screw						
22.	503-206410	Screw						
23.	503-435401	Exhaust Deflector						

✓ = NEW PART NUMBER FOR THIS IPL

* = REFER TO THE SERVICE REFERENCE INDICATED FOR MORE INFORMATION. (LOCATED AT END OF IPL)

PARTS LIST NO. 530-067868		POULAN PRO® PARTS LIST	MODEL(s) 415/475
DATE 11/15/94	REPLACES 530-067868-5/18/93		NOTE: Illustration may differ from actual model due to design changes

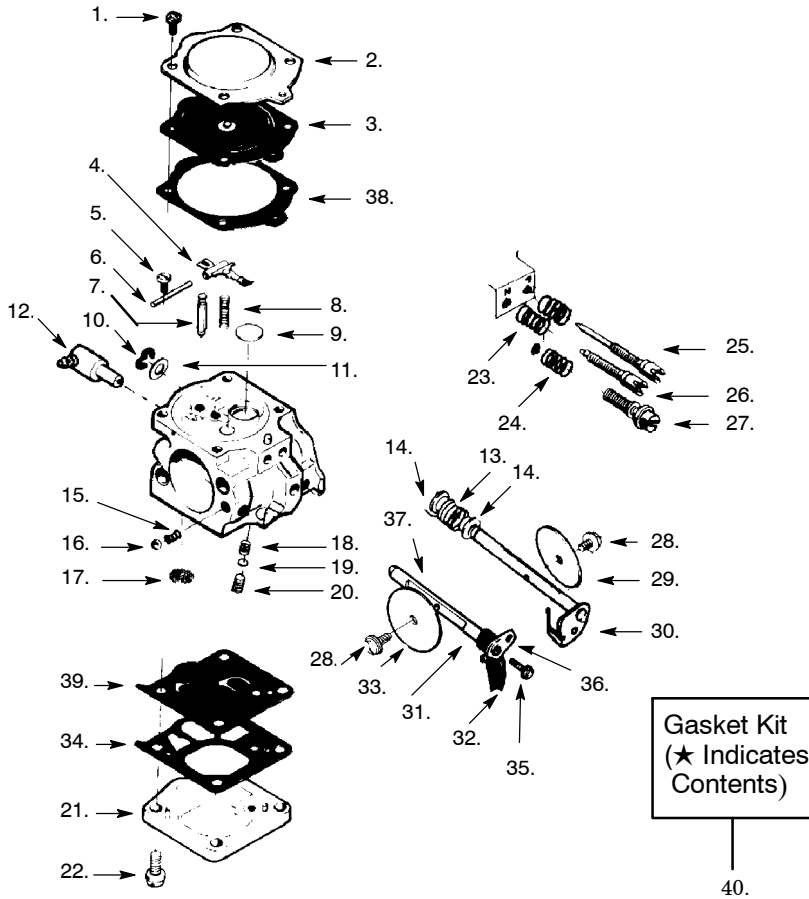


Ref.	Part No.	Description	Ref.	Part No.	Description	Ref.	Part No.	Description
1.	503-427001	Switch Ass'y.	26.	503-432503	Fan Housing/Starter Ass'y (Incl. 11, 15-23 & 30)	44.	503-431801	Outer Sealing Ring
2.	501-271302	Grommet	27.	503-200210	Screw	45.	503-431501	Manifold Tube
3.	725-528955	Screw	28. ✓	501-814701	Shock Mount	46.	503-560003	Clamp
4.	501-485402	Plug Boot	29.	-	Ignition Module	47.	503-436001	Grommet
5.	501-527407	Sleeve	✓	530-620203	Model 415	48.	503-434801	Throttle Wire
6.	503-202520	Screw	✓	503-620502	Model 475	49.	503-428001	Spring
7.	501-673501	Starter Dog Spring	30.	503-432301	Fan Housing Ass'y. (Incl. 22)	50.	503-424901	Spring
8.	503-230042	Washer	31.	-	Shock Mount Standard	51.	503-424402	Trigger Lock
9.	501-673201	Starter Dog	32.	503-431401	Inner Sealing Ring	52.	720-123820	Pin
10.	501-819901	Screw	33.	503-438203	Tank & Handle Ass'y. (Incl. 37, 38 & 49-54)	53.	503-424502	Trigger
11.	503-212810	Screw	34.	501-278201	O Ring	54.	720-123620	Pin
12. ✓	503-511503	Flywheel Ass'y.	35.	501-431401	Fuel Cap	55.	503-203242	Screw
13.	503-281209	Carburetor	36.	503-427502	Insert	56.	503-203216	Screw
14.	503-220001	Nut	37.	503-226501	Nut	57. ✓	503-433103	Air Filter Cover
15.	503-210716	Screw	38.	501-527801	Grommet	58.	-	Air Filter
16.	734-180951	Washer	39.	503-432402	Choke Knob	59.	503-433401	Std. Nylon Mesh
17.	503-423001	Air Baffle	40.	503-430401	Gasket	60.	503-433402	Flock Filter
18.	503-432101	Starter Pulley	41.	503-443201	Fuel Filter	61.	503-433403	Coarse Nylon Mesh
19.	503-431901	Starter Spring	42.	501-768313	Fuel Line	62.	503-433403	Screw
20.	503-142902	Washer	43.	503-434001	Gasket	63. ✓	503-202301	Air Inlet Tube
21.	504-654203	Handle				64. ✓	503-432801	Cover
22.	501-201502	Rope				65. ✓	503-424201	Sealing Ring
23.	501-630601	Eyelet				66. ✓	501-768304	Fuel Line
24.	503-200216	Screw					504-357201	Filter
25.	503-434101	Pre Cleaner					503-164001	Valve

✓ = NEW PART NUMBER FOR THIS IPL

* = REFER TO THE SERVICE REFERENCE INDICATED FOR MORE INFORMATION. (LOCATED AT END OF IPL)

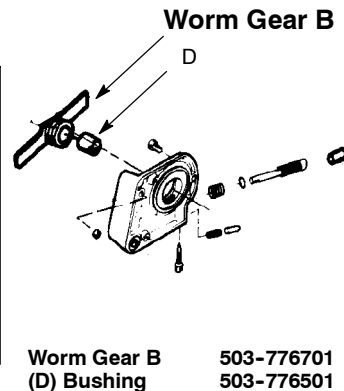
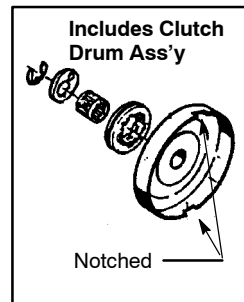
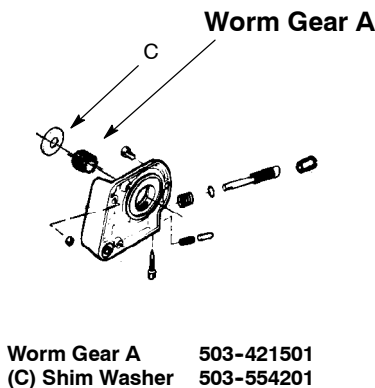
CARBURETOR ASS'Y. #503-281209 (WP-28P)



Ref.	Part No.	Description
1.	503-108701	Screw
2.	505-316702	Cover
3.	505-316715	Diaphragm ★
4.	505-316734	Metering Lever ★
5.	505-316717	Screw
6.	505-316731	Pin
7.	503-117001	Needle ★
8.	505-316723	Spring ★
9.	503-483101	Ring
10.	502-119801	Clip
11.	506-028301	Washer
12.	503-483801	Lever
13.	503-483401	Spring Return
14.	502-103101	Bushing
15.	503-117701	Spring
16.	503-117101	Ball
17.	501-666101	Filter ★
18.	501-468401	Spring
19.	503-404101	Washer
20.	503-404301	Screw
21.	503-482501	Cover-Pump
22.	503-117501	Screw
23.	504-210050	Spring
24.	505-316721	Spring
25.	503-483701	Needle-Low
26.	503-483601	Needle-High
27.	503-483301	Idle Screw
28.	530-035015	Screw
29.	503-482701	Valve
30.	503-482601	Shaft Ass'y.
31.	503-483501	Spring
32.	503-484001	Lever
33.	505-316707	Valve
34.	503-117201	Gasket-Pump ★
35.	503-192201	Screw
36.	503-482901	Lever
37.	503-482801	Choke Shaft
38.	501-467501	Gasket ★
39.	503-117301	Diaphragm-Pump ★
40.	503-088401	Gasket Kit (★ Indicates Contents)

★SERVICE REFERENCE

1. Worm Gear – Before servicing, determine which Worm Gear is installed as shown below. When Oil Pump Ass'y Kit #503-776601 is installed, the notched Clutch Drum (see below) included in the kit must be used.



★= REFER TO THE SERVICE REFERENCE INDICATED FOR MORE INFORMATION. (LOCATED AT END OF IPL)
 ✓= NEW PART NUMBER FOR THIS IPL