

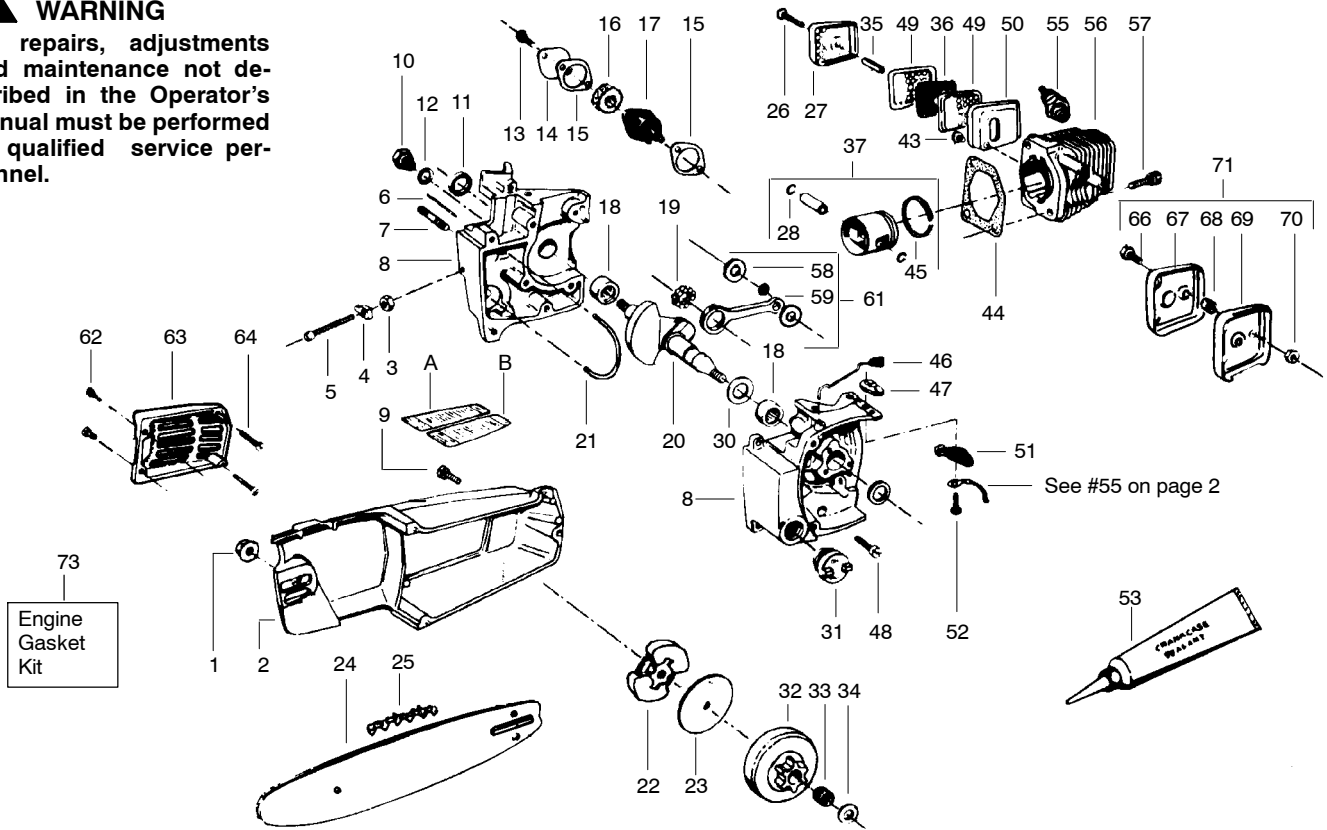
PARTS LIST NO. 530064828		POULAN® PARTS LIST	CHAIN SAW MODEL(S) 2300AV, 2300CVA & 2350CVA
DATE 12/03/96	REPLACES 530064828 - 10/15/95		Note: Illustration may differ from actual model due to design changes



WARNING

All repairs, adjustments and maintenance not described in the Operator's Manual must be performed by qualified service personnel.

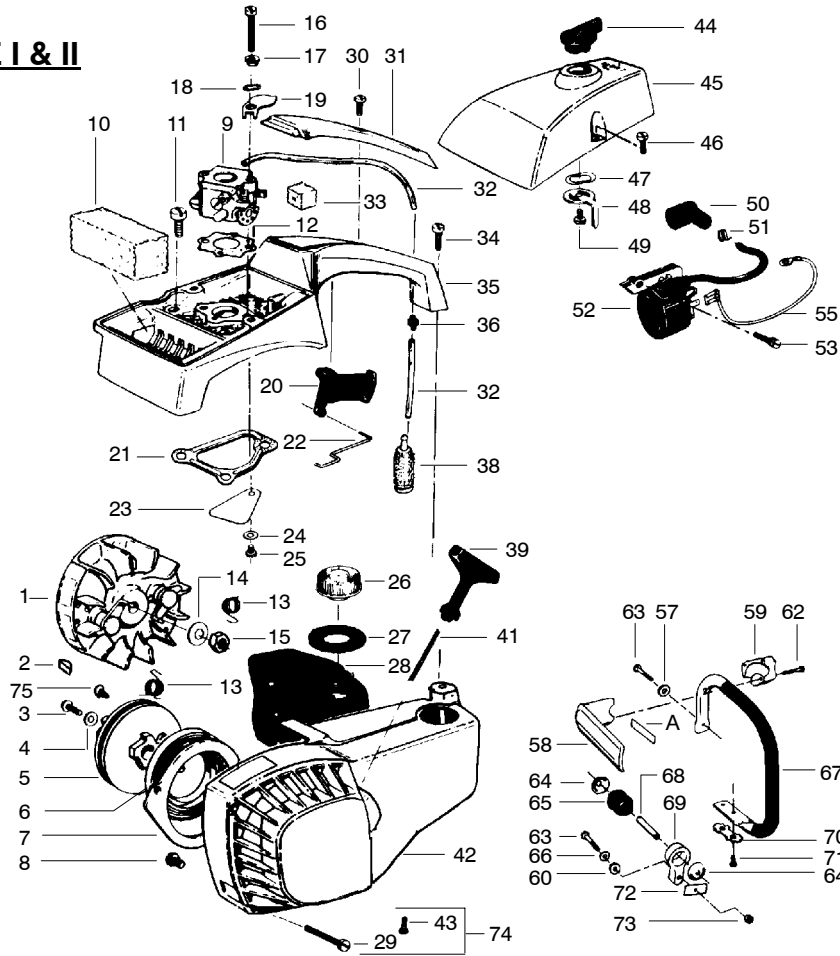
2300 AV, 2300 CVA (TYPE I & II) AND 2350 CVA



Ref.	Part No.	Description	Ref.	Part No.	Description	Ref.	Part No.	Description	Ref.	Part No.	Description
1	530015445	Bar Mouning Nut	24	-	Guide Bar	45	-	Piston Ring	62	530015474	Screw T 2
2	530029476	Bar Clamp		952044366	12"		530025467	Before Date	63	530025259	Muffler Shield-
3	530015135	Lock Nut		952044370	16"			Code/Serial	64	530015463	Type 2
4	530023492	Bar Adjust Pin	25	-	Chain			#A1820001	66	530015476	Screw-Type2
5	530016115	Screw		952051208	12"(P101S-45)		530037603	Date Code/Ser			Screw-Type I
6	★★★★★	Oil Tank Vent Pin-		952051211	16"(P101S-56)			ial #A1820001	67	530024201	and earlier
		See Serv. Ref. 7	26	530015169	Screw		530027482	and after	68	530015331	Heat Shield-
7	530015719	Bar Mounting Stud	27	530023795	Muffler Cover Retainer	46	-	2350	69	530024202	Type I & earlier
8	530014742	Crankcase Ass'y (Incl. #3-7,10,11 & 18)	28	530023843	Thrust Washer		530023788	Knob Ass'y.	70	530015332	Spacer Type I & Earlier
9	530015623	Screw	30	530023887	Oil Cap Ass'y. T1 & T2			Switch 2300 AV (Type I & 2) and 2300CVA (earlier)	71	530024202	Muffler Cover Type I & Earlier
10	530069142	Check Valve Kit- (Incl. #12)	31	530010221	T3		530024236	2300 CVA (Type I & 2) & 2350		530015332	Lock Nut- Type I & Earlier
11	*530019059	Crankshaft Seal	32	530069166	Clutch Drum	47	530023786	Ramp Switch		530069034	Heat Shield Kit- Type 1 & earlier Only
12	*530019089	Gasket	33	530032079	Clutch Bearing (Use Only With Clutch Drum Bearing Kit #69166)	48	530015986	Screw	73	530069401	Engine Gasket Kit (Contents Indicated by*) Optional
13	530015176	Screw	34	530023519	Clutch Spacer	49	530023797	Muffler Baffle			
14	530023802	Cover	35	530023535	Spacer	50	530023794	Muffler Body			
15	*530019091	Gasket	36	530023796	Spark Arrestor Screen	51	530023787	Switch Clamp			
16	*530023801	Oil Filter	37	-	Piston Kit (Incl.#28,45 & Pin)	52	530015235	Screw			
17	530010195	Metering Body Ass'y.		530069553	2300	53	530030054	Crankcase Sealant	A	530026918	Inst. Decal (Right Hand)
18	530032029	Bearing		530069552	2350	55	952030037	Spark Plug CJ-8	B	-	Inst. Decal (Left Hand)
19	530032065	Roller Bearing (Incl. 12 bearings)		530001666	Screw	56	-	Cylinder 2300 2350CVA		530026221	2300AV and 2300CVA-Type 1
20	530022172	Crankshaft Line	43	530001666	Cylinder Gasket	57	530012172	Screw		530025979	2300CVA-Type 2
21	530021026	Clutch Ass'y. Kit (Incl. Washer)	44	530019195		58	530015486	Washer-Rod Bearing Rod (Top-Incl. 22 bearings)			
22	★★★★★	See Service Ref. 3.				59	530032075	Connecting Rod Ass'y. Kit (Incl.#58&59)			
23	530069197	Clutch Washer Kit				61	530010474		Not Shown		
										530067580	Operator's Manual
										530031063	Bar Wrench

PARTS LIST NO. 530064828		POULAN® PARTS LIST	CHAIN SAW MODEL(S) 2300AV, 2300CVA & 2350CVA
DATE 12/03/96	REPLACES 530064828-10/15/95		Note: Illustration may differ from actual model due to design changes

**MODEL 2300AV-TYPE I & II
(ONLY)**

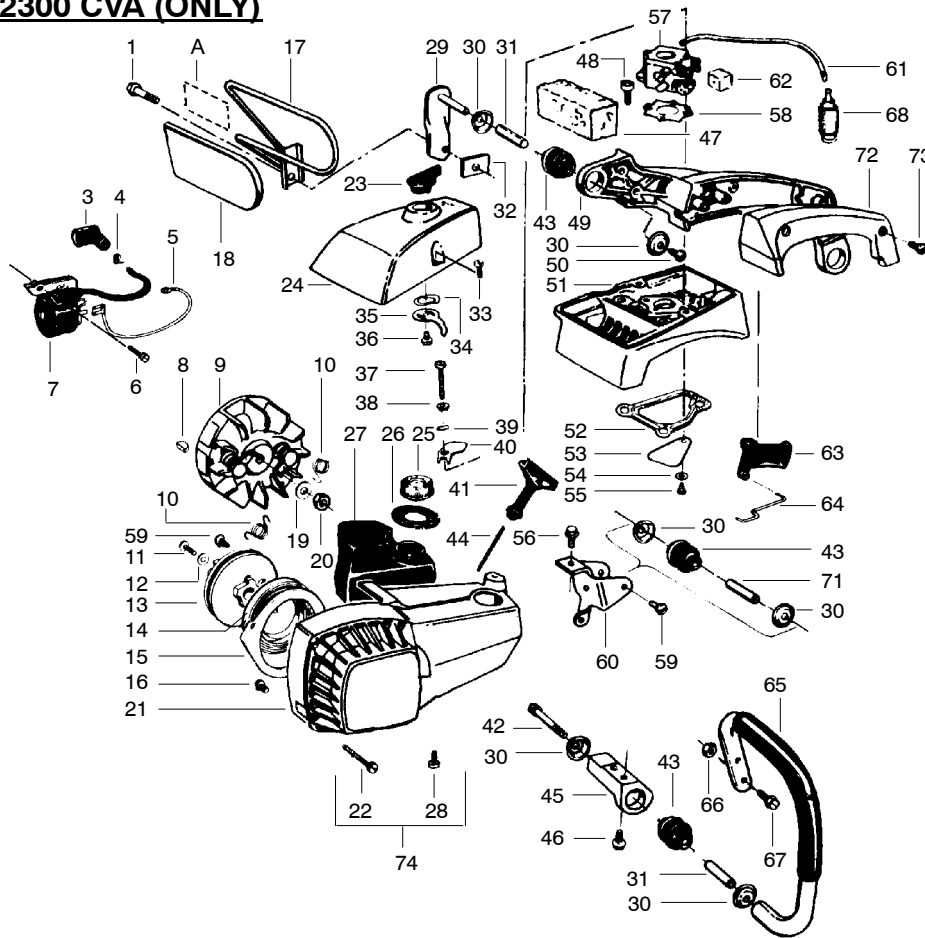


KEY NO	PART NO.	DESCRIPTION	KEY NO	PART NO.	DESCRIPTION	KEY NO.	PART NO.	DESCRIPTION	KEY NO.	PART NO.	DESCRIPTION
1	530047198	Flywheel Ass'y (Incl. #13)	25	530016064	Screw	43	530015650	Screw	64	530025567	Isolator Cup - See Service Ref. 1
2	530015126	Flywheel Key	26	530014347	Fuel Cap Ass'y. (Incl O-Ring)	44	530023807	Choke Knob	65	530025566	Isolator
3	530015036	Pulley Retaining Screw	27	*530019093	Seal	45	530023775	Carb. Cover	66	530001642	Lockwasher
4	530015123	Washer	28	530010775	Fuel Tank Ass'y. (Incl. #26,27,37 & 38)	46	530015168	Screw	67	530022357	Handlebar
5	530069288	Starter Pulley	29	★★★★★	Screw - See Service Ref. 5	47	530015147	Washer	68	530025565	Spacer
6	530042023	Starter Spring	30	530015247	Screw	48	530023806	Choke Lever	69	530026659	Bracket
7	530038312	Air Intake Baffle	31	530024967	Handle Cover	49	530015407	Screw	70	530025569	Isolator
8	530001726	Screw	32	530069216	Fuel Line	50	507475326	Spark Plug	71	530015507	Retainer
9	530035181	Carburetor - See page 5.	33	*530023373	Throttle Wire	51	530003933	Spark Plug Boot	72	530025568	Screw
10	530023791	Air Filter	34	530015239	Screw	52	530069202	Ignition Module (Incl. #54&55)	73	530015515	Cork Pad
11	530015242	Screw	35	530069848	Handle & Carb. Hsg.	53	530015816	Screw	74	530069286	Locknut
12	530019045	Gasket	36	530023877	Fuel Line Fitting	55	530039116	Switch-Lead - See Service Ref. 2.	75	530016080	Fan Hsg. Screws
13	530023817	Starter Dog Spring	38	530014362	Fuel Pick-Up Ass'y.	57	530015151	Washer	76	530027847	Incl. #29 & 43 this page and #9 on page 1)
14	530015127	Washer	39	530037485	Starter Handle	58	530024091	Handguard			
15	530626605	Nut	41	530069232	Rope Kit	59	530024049	Handguard Cap	A	530026849	Handguard Decal
16	530015245	Screw	42	530069602	Fan Hsg. - See Service Ref. 5	60	530015209	Washer			
17	530023865	Spacer				62	530015509	Screw			
18	530015254	Wave Washer				63	530015505	Bolt			
19	530023805	Choke Shutter									
20	530029826	Throttle Trigger									
21	530019118	Carb. Hsg. Gasket									
22	530025685	Throttle Wire									
23	530023366	Reed Valve									
24	530023367	Washer									

✓ = NEW PART NUMBER FOR THIS IPL * = REFER TO THE SERVICE REFERENCE INDICATED FOR MORE INFORMATION. (LOCATED AT END OF IPL)
● = THESE PARTS ARE ILLUSTRATED FOR CLARITY. ORDER COMPLETE ASSEMBLY.

PARTS LIST NO. 530064828		POULAN® PARTS LIST	CHAIN SAW MODEL(S) 2300AV, 2300CVA & 2350CVA
DATE 12/03/96	REPLACES 530064828 - 10/15/95		Note: Illustration may differ from actual model due to design changes

EARLY MODEL 2300 CVA (ONLY)

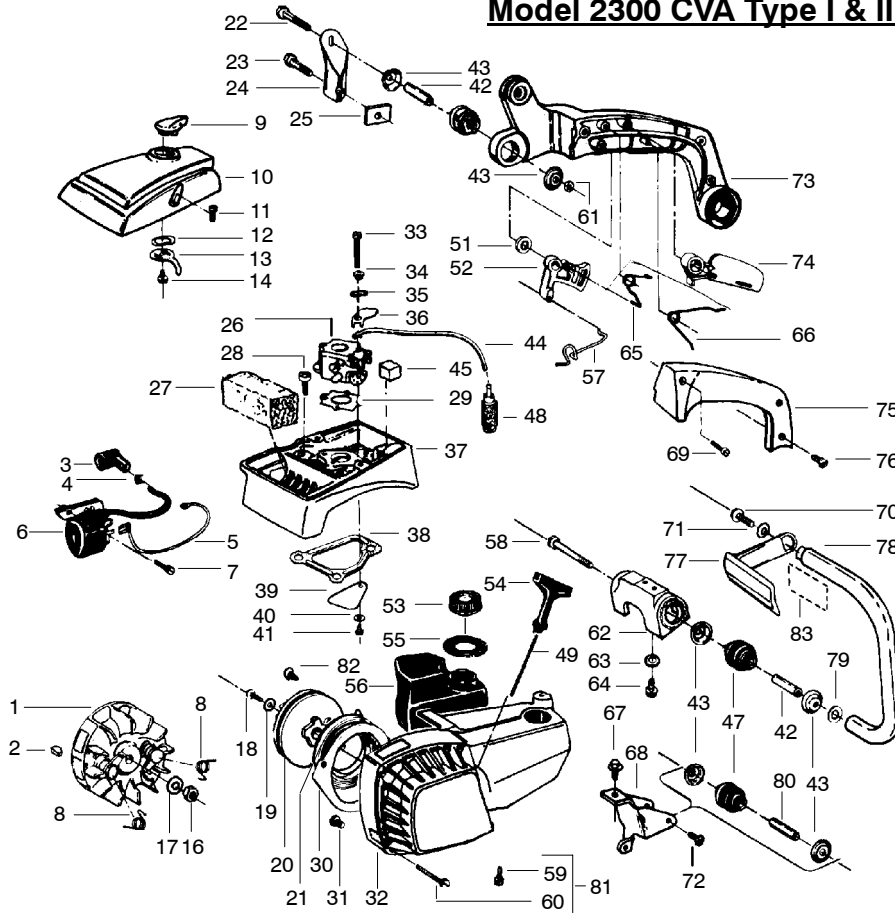


Key No.	Part No.	Description	Key No.	Part No.	Description	Key No.	Part No.	Description	Key No.	Part No.	Description
1	530001648	Screw	18	530024562	Handguard	39	530015254	Wave Washer	63	530025683	Trigger
3	507475326	Spark Plug	19	530015127	Sleeve	40	530023805	Choke Shutter	64	530025685	Throttle
4	530003933	Spark Plug	20	530626605	Washer	41	530037485	Starter Handle	64	530025685	Throttle Wire
		Connector	21	530069602	Nut	42	530015338	Screw	65	Obsolete	Handle bar
5	530039116	Switch Lead	22	★★★★★	Fan Hsg. - See Service Ref. 5	43	530024256	Isolator	66	530001720	Locknut
		See Service Ref. 2	22	★★★★★	Screw - See Service Ref. 5	44	530069232	Rope (3 ft.)	67	530015392	Screw
6	530015816	Screw	23	530023807	Choke Knob	45	530025689	Isolator Mtg. Bracket	68	530014362	Fuel Pick-Up Ass'y.
7	530069202	Ignition Module (Incl. #2 & 5)	24	530023775	Carb. Cover	46	530015037	Screw	71	530015343	Spacer
8	530015126	Flywheel Key	25	530014347	Fuel Cap Ass'y. (Incl. O-Ring)	47	530023791	Air Filter	72	530011614	Rear Handle Cover
9	530047198	Flywheel Ass'y. (Incl. #10)	26	530019093	Seal	48	530015242	Screw	73	530015411	Screw
10	530023817	Starter Dog Spring	27	530010775	Fuel Tank Ass'y. (Incl. #25, 26, 61 & 68)	49	530025682	Rear Handle	74	530069286	Fan Hsg. Screws (Incl. #22 & 28 this page and #9 on page 2)
11	530015036	Pulley Retaining Screw	28	530015650	Screw	50	530015476	Screw	A	530025631	Kickback Warning Decal
12	530015123	Washer	29	530011615	Front Bracket & Spindle Ass'y.	51	530036951	Carb. Hsg.			
13	530069288	Starter Pulley	30	530026163	Isolator Cup - See Service Ref. 1	52	530019118	Gasket			
14	530042023	Starter Spring	31	530015342	Spacer	53	530023366	Reed Valve			
15	530038312	Air Intake Baffle	32	530024317	Isolator Pad	54	530023367	Washer			
16	530001726	Screw	33	530015168	Screw	55	530016064	Screw			
17	530024581	Handguard	34	530015147	Wave Washer	56	530015426	Bolt			
			35	530023806	Choke Lever	57	530035181	Carb. - See Page 5			
			36	530015407	Screw	58	530019045	Carb. Gasket			
			37	530015245	Screw	59	530016080	Screw			
			38	530023865	Spacer	60	530038385	Isolator Mtg. Bracket			
						61	530069216	Fuel Line (Bulk No. 8133)			
						62	530023373	Throttle Wire			
								Boot			

✓ = NEW PART NUMBER FOR THIS IPL * = REFER TO THE SERVICE REFERENCE INDICATED FOR MORE INFORMATION. (LOCATED AT END OF IPL)
 ● = THESE PARTS ARE ILLUSTRATED FOR CLARITY. ORDER COMPLETE ASSEMBLY.

PARTS LIST NO. 530064828		POULAN® PARTS LIST	CHAIN SAW MODEL(S) 2300AV, 2300CVA & 2350CVA
DATE 12/03/96	REPLACES 530064828-10/15/95		Note: Illustration may differ from actual model due to design changes

Model 2300 CVA Type I & II, Model 2350



KEY NO.	PART NO.	DESCRIPTION	KEY NO.	PART NO.	DESCRIPTION	KEY NO.	PART NO.	DESCRIPTION	KEY NO.	PART NO.	DESCRIPTION
1	530047198	Flywheel Ass'y. (Incl. #8)	25	530024317	Isolator Pad	48	530014362	Fuel Pick-up Ass'y.	69	530015533	Screw
2	530015126	Flywheel Key	26	530035181	Carb.-See Page 5	49	530069232	Rope Kit	70	530016020	Screw
3	507475326	Spark Plug Boot	27	530023791	Air Filter	51	530015528	Washer	71	530016021	Washer
4	530003933	Spark Plug Connector	28	530015242	Screw	52	530025683	Throttle Trigger	72	530015476	Screw
5	530039116	Lead Switch-See Service Ref. 2	29	*530019045	Carb. Gasket	53	530014347	Fuel Cap Ass'y. (Incl. O-Ring)	73	530025682	Rear Handle-Right
6	530069202	Ignition Module (Incl. #5 & 15)	30	530038312	Air Intake Baffle	54	530037485	Starter Handle	74	530025684	Throttle Lock out Lever
7	530015128	Screw	31	530001726	Screw	55	*530019093	Seal	75	530025681	Rear Handle-Left
8	530023817	Starter Dog Spring	32	530069602	Fan Hsg.-See Service Ref. 5	56	530010775	Fuel Tank Ass'y. (Incl. #44,48,53 & 55)	76	534222402	Screw
9	530025691	Choke Knob	33	530015245	Screw	57	530025685	Throttle Wire	77	530025451	Handguard
10	530025676	Carb. Cover	34	530023865	Spacer	58	530015551	Screw	78	530025675	Handguard w/ Insert
11	530015168	Screw	35	530015254	Wave Washer	59	530015650	Screw	79	530015531	Washer
12	530015147	Wave Washer	36	530023805	Choke Shutter	60	★★★★★	Screw-See Service Ref. 5	80	530015343	Spacer
13	530023806	Choke Lever	37	530036951	Carb. Hsg. Gasket	61	530015515	Locknut	81	530069286	Fan Hsg Screws (Incl #59 & 60, this page & #9 page 1)
14	530015407	Screw	38	*530019118	Reed Valve	62	530025689	Lower Isolator			
15	530015036	Nut	39	530023366	Washer	63	530015123	Bracket			
16	530062605	Washer	40	530023367	Screw	64	530015557	Washer			
17	530015127	Screw	41	530016064	Spacer	65	530025686	Screw	82	530016080	Screw
18	530015036	Washer	42	530015342	Isolator Cup-See Service Ref. 1	66	530025687	Spring Trigger	83	530026849	Handguard Decal
19	530015123	Washer	43	530026163	Fuel Line (Bulk No.# 8133)	67	530015426	Spring			
20	530069288	Starter Pulley			Throttle Wire	68	530038385	Bolt			
21	530042023	Starter Spring	44	530069216	Isolator			Rear Isolator Bracket			
22	530015524	Screw	45	*530023373							
23	530001648	Screw	47	530024256							
24	530025679	Upper Isolator Bracket									

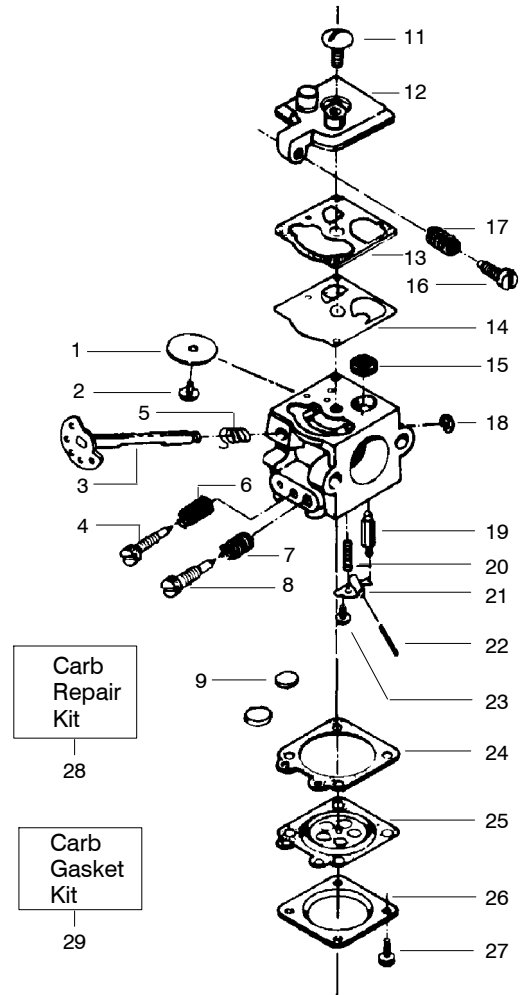
✓ = NEW PART NUMBER FOR THIS IPL * = REFER TO THE SERVICE REFERENCE INDICATED FOR MORE INFORMATION. (LOCATED AT END OF IPL)
 ● = THESE PARTS ARE ILLUSTRATED FOR CLARITY. ORDER COMPLETE ASSEMBLY.

PARTS LIST NO. 530064828		POULAN® PARTS LIST	CHAIN SAW MODEL(S) 2300AV, 2300CVA & 2350CVA
DATE 12/03/96	REPLACES 530064828 - 10/15/95		Note: Illustration may differ from actual model due to design changes

A. CARBURETOR ASSEMBLY #530035158 & 530035181

- CARBURETOR WT-3 (#530035158-No longer available) was used on models prior to Date/Code Serial #A335001. Replace with #530035181. Order individual parts from below.
- CARBURETOR WT-20 (#530035181) was used on models Date/Serial #A335001 and after

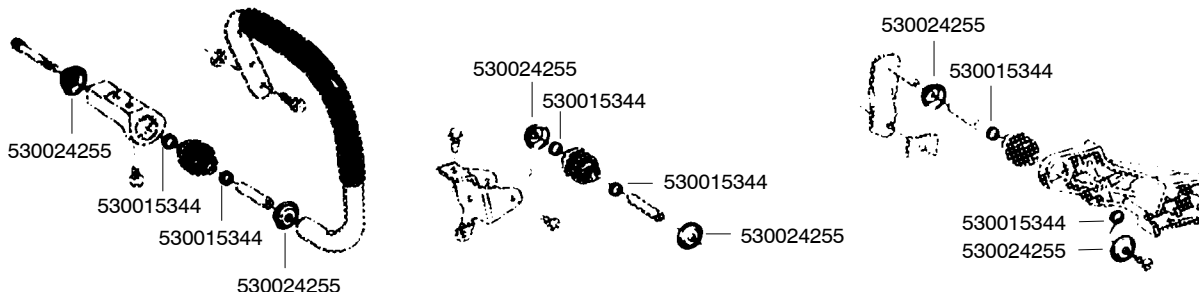
Key No.	Part No.	Description
1	530035006	Throttle Valve
2	530035015	Throttle Valve Screw
3	530035034	Throttle Shaft Ass'y.
4	530035171	Low Speed Mixture Needle
5	530035024	Throttle Return Spring
6	530035023	Low Speed Mixture Needle Spring
7	530035167	High Speed Mixture Needle Spring
8	530035169	High Speed mixture Needle
9	530035162	*Plug-5/16 Dia. Welch
11	530035017	Pump Cover Screw
12	530035159	Fuel Pump Cover
13	530035164	+*Fuel Pump Gasket
14	530035166	+*Fuel Pump Diaphragm
15	-	*Fuel Inlet Screen
	530035172	WT-3(#35158)
	530035027	WT-20(#35181)
16	530035035	Idle Speed Adjusting Screw
17	530035168	Idle Speed Adjusting Screw Spring
18	530035007	Throttle Retainer Ring
19	530035106	*Inlet Needle Valve
20	530035188	*Metering Lever Spring
21	530035031	*Metering Lever
22	530035028	*Metering Lever Pin
23	530035016	*Metering Lever Pin Screw
24	530035165	+*Metering Diaphragm Gasket
25	530035014	+*Metering Diaphragm
26	530035003	Metering Diaphragm Cover
27	530035021	Metering Cover Screw Ass'y.
28	530035161	Carb. Repair Kit (Includes parts marked*)
29	530035173	Carb. Gasket/Diaphragm (Includes parts marked+)



★SERVICE REFERENCE

1. Isolator Cup

The new isolator cup, #530026163, is constructed to be used without the isolator ring. The old isolator cup, #530024555 (no longer available), required isolator ring, #530015344, as shown below:



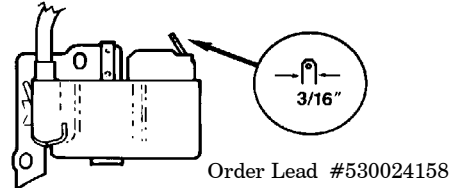
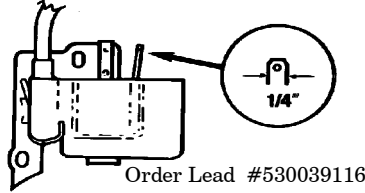
Continued... ➔

PARTS LIST NO. 530064828		POULAN® PARTS LIST	CHAIN SAW MODEL(S) 2300AV, 2300CVA & 2350CVA
DATE 12/03/96	REPLACES 530064828 - 10/15/95		Note: Illustration may differ from actual model due to design changes

★SERVICE REFERENCE *Continued*-

2. Lead-Switch

Determine whether the ignition module requires a lead with a 3/16" or a 1/4" flag terminal by measuring the width of the tab on the module. For a lead with a 1/4" flag terminal, order #530039116. For a lead with a 3/16" flag terminal, order #530024158.



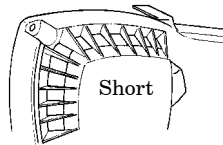
3. Clutch Assembly Kit

Clutch Tool, #530031112 must be used to remove the current style clutch (Clutch Assembly Kit, #530069193) to avoid damage to the clutch. Do not use a punch or hammer or strike the clutch with any instrument. Clutch Tool, #530031085 should be used to remove the previous style clutch

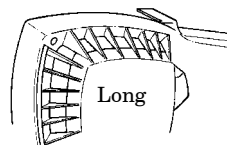


5. Fan Housing Screws

The front Fan Housing screws have been shortened from 1 3/8" to 7/8". Refer to the illustrations below to determine which style Fan Housing you have and order accordingly.



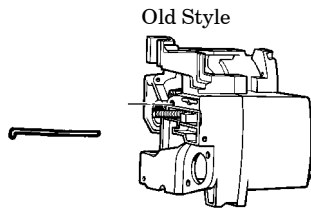
Front Screw 530015812



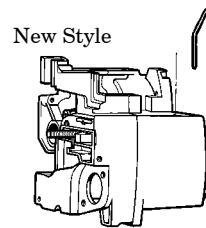
Front Screw 530015649

6. Oil Tank Vent Pin

Units have been manufactured with one of two different locations for the oil tank vent. The vent wire is different depending on location. See illustration below for shape of vent wire and location.



1. 530023792 Oil Tank Vent Pin



2. 530036450 Oil Tank Vent Pin

7. Fuel Pick-Up Assembly

A large number of units were built with Fuel Pick-Up Assembly, #530014362 plus a small clamp. The clamp is not servicable. If the clamp requires replacement, use Tie Strap, #530024675. Install fuel line on pick-up assembly, then install tie strap. Pull tie strap until tight. When servicing a unit with Fuel Pick-Up Assembly, #530091878, the clamp is not required.

Fuel Pick-Up
Assembly
#530014362

