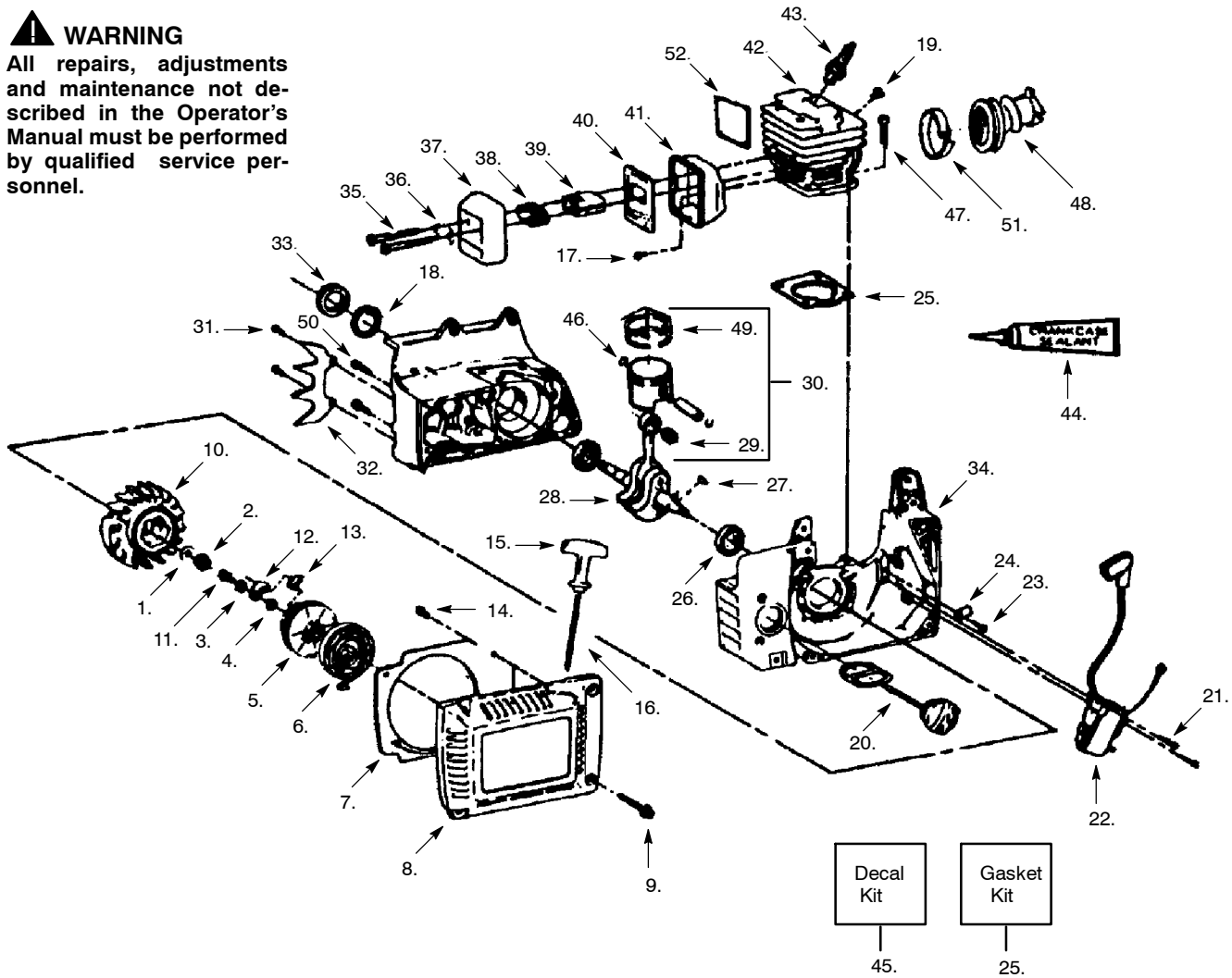


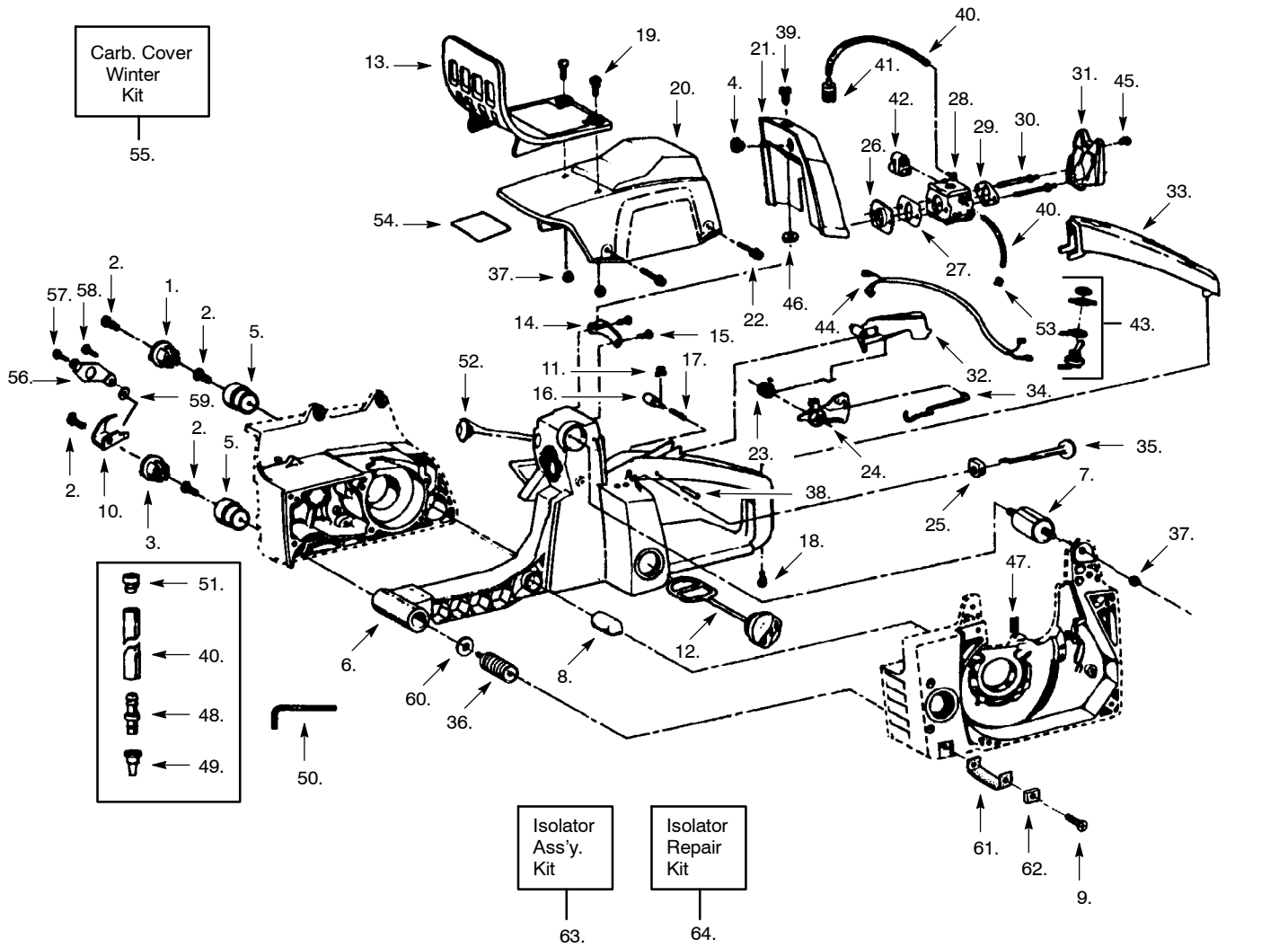
⚠ WARNING
All repairs, adjustments and maintenance not described in the Operator's Manual must be performed by qualified service personnel.



Ref.	Part No.	Description	Ref.	Part No.	Description	Ref.	Part No.	Description
1.	530-039127	Flywheel	27.	530-002595	Flywheel Key	43.	530-030034	Spark Plug (CJ-4)
2.	530-001733	Nut	28.	530-027143	Crankshaft/Rod Ass'y.	44.	530-030054	Sealant
3.	530-015254	Wave Washer	29.	530-032111	Piston Pin Bearing	45.	530-069227	Decal Kit
4.	530-027163	Retainer	30.	-	Piston Kit	46.	530-015697	Retainer
5.	530-027170	Starter Pulley		530-010976	(Incl.29.,46.,49.)	47.	530-001624	Screw
6.	530-042067	Starter Spring		530-010862	Model 285	48.	530-027218	Carb. Adapter
7.	530-027096	Baffle Plate		530-010989	Model 305	49.	-	Piston Ring
8.	530-010975	Fan Housing		530-015710	Model 335		530-027640	Model 285
9.	530-015709	Screw	31.	530-015710	Screw		530-027092	Model 305
10.	530-015441	Washer	32.	530-027184	Spur		530-027608	Model 335
11.	530-015713	Screw	33.	530-019146	Crankshaft Seal	50.	530-015707	Screw
12.	530-027765	Starter Cam	34.	530-014719	Crankcase Ass'y.	51.	530-027285	Clamp Ass'y.
13.	530-027162	Starter Dog			(Incl.18.,26.,33.,from	52.	530-027838	Deflector
14.	530-015241	Screw			pg.3 #20.-22.,32.,			(Model 335 Only)
15.	530-027569	Starter Handle			33.,36.,37)	Not Shown		
16.	530-069233	Rope Kit	35.	530-015718	Screw		-	Operator Manual
17.	530-015720	Bolt	36.	530-015149	Washer		530-068802	Model 285 & 305
18.	530-001516	Snap Ring	37.	530-028645	Muffler Cover		530-067186	Model 335
19.	530-015696	Clip	38.	530-027095	Spark Arrestor Screen		-	Carton
20.	530-010846	Oil Cap Ass'y. (Incl. O Ring)	39.	530-028647	Muffler Diffuser		530-061052	Model 285,305,335
21.	530-015708	Screw	40.	530-028646	Muffler Baffle Plate		530-061628	16" & 335-18"
22.	530-039128	Ignition Module	41.	530-028644	Muffler Body		530-061159	Model 285-20"
23.	530-015306	Screw	42.	-	Cylinder			Model 305-18" & 20"
24.	530-027264	Clamp		530-012223	Model 285		530-061641	Model 335-20"
25.	530-069487	Gasket Set		530-012153	Model 305			
26.	530-032093	Crankshaft Bearing		530-012197	Model 335			

✓ = NEW PART NUMBER FOR THIS IPL

★ = REFER TO THE SERVICE REFERENCE INDICATED FOR MORE INFORMATION. (LOCATED AT END OF IPL)

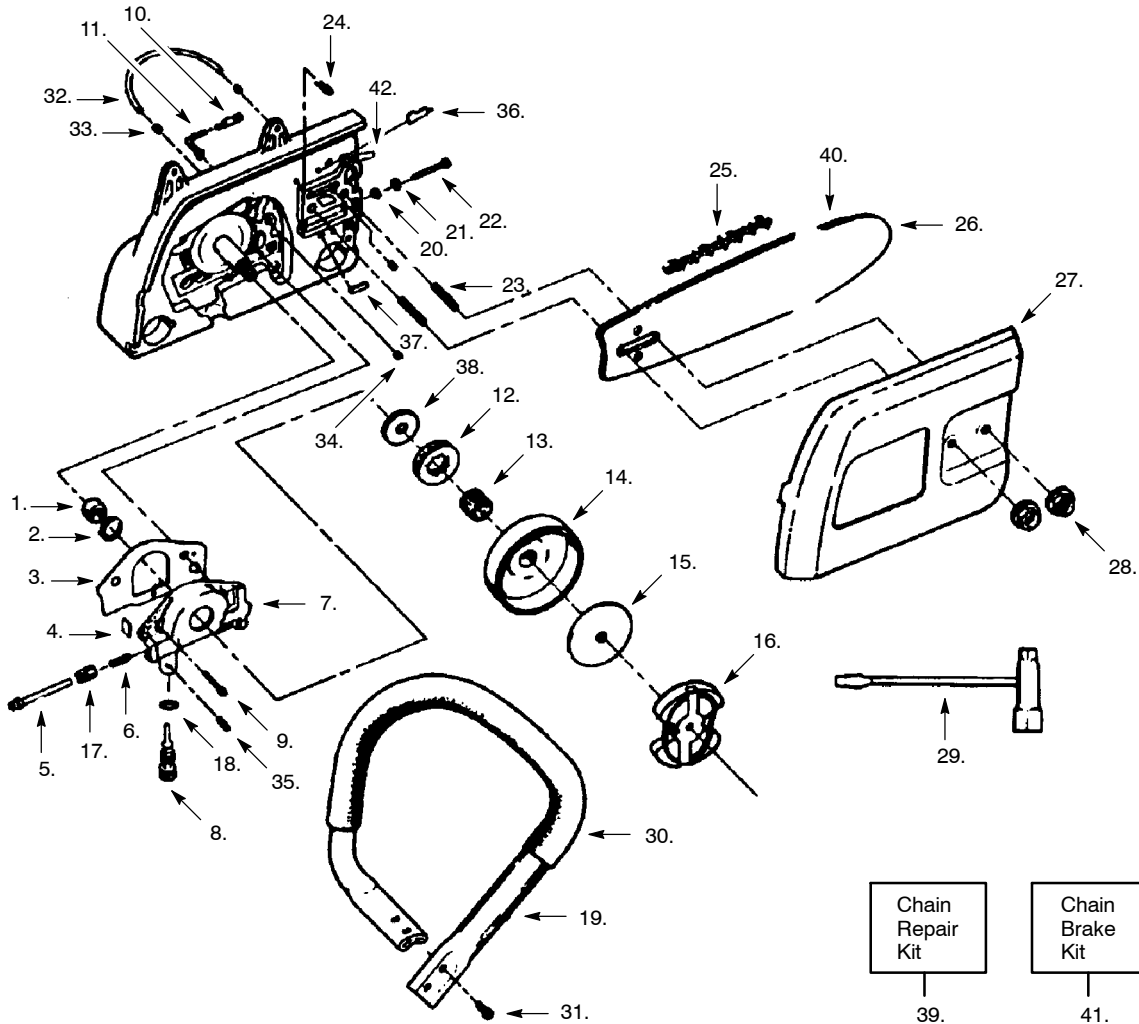


Ref.	Part No.	Description	Ref.	Part No.	Description	Ref.	Part No.	Description
1.	530-027732	Retainer Mount	20.	530-069279	Cylinder Shield Kit (Incl.54.)	42.	530-039129	Grommet
2.	530-016057	Screw	21.	530-027178	Carb. Cover	43.	530-069225	Switch Kit
3.	530-027732	Chain Catcher Retainer- Serv. Ref. 1	22.	530-015871	Screw	44.	530-027138	Lead Wire Ass'y.
4.	530-027399	Carb. Cover Bumper	23.	530-027134	Trigger Latch Spring	45.	530-015802	Screw
5.	530-027392	Lower Isolator	24.	530-027133	Throttle Trigger	46.	530-027202	Screw Retainer
6.	-	Rear Handle & Fuel Tank	25.	530-027271	Grommet	47.	530-025539	Impulse Fitting
	530-010877	Type I	26.	530-027121	Bracket	48.	530-024475	Vent Fitting
	530-069391	Type II	27.	530-069217	Gasket Set	49.	530-026119	Check Valve
7.	530-027394	Cylindrical Mount	28.	530-035201	Carburetor (HDA-49)	50.	530-031111	Hex Key
8.	530-027187	Isolator Limiter	29.	530-023664	Air Filter Plate	51.	530-027339	Vent Plug
9.	-	Screw	30.	530-015735	Carb. Mounting Stud	52.	530-025922	Air Box Plug
	530-015715	Type I	31.	-	Air Filter Ass'y. Model 285	53.	530-027341	Clamp
	530-015871	Type II		530-010855	Model 305 & 335	54.	530-027888	Reflector
10.	530-027733	Chain Catcher- Serv. Ref. 1	32.	530-027135	Throttle Lockout	55.	952-069253	Carb. Cover Winter Kit
11.	530-015702	"C" Clip	33.	530-027207	Rear Handle Cover	56.	530-069297	Bracket Kit- Service Ref. 1
12.	530-010845	Fuel Cap Ass'y.	34.	530-027073	Throttle Wire	57.	530-015710	Screw
13.	530-027181	Handguard	35.	530-027075	Choke Knob	58.	530-015875	Screw
14.	530-027191	Bracket	36.	-	Isolator Ass'y.	59.	530-015562	Washer
15.	530-015598	Screw		530-027393	Type I	60.	530-015123	Washer-Typell Only
16.	-	Throttle Lock		530-036962	Type II	61.	530-037009	AV Strap-Typell Only
	530-027139	(Two piece design)	37.	530-001543	Nut	62.	530-037012	Strap Retainer Plate- Type II Only
	530-029666	(One piece design)	38.	530-015701	Dowel Pin	63.	530-069384	Isolator Ass'y. Kit- Type II Only
17.	530-024772	Throttle Lock Spring	39.	530-015724	Screw	64.	530-069297	Isolator Repair Kit- Type II Only
18.	530-015716	Screw	40.	530-069216	Line Kit (Bulk 530-008133)			
19.	530-015406	Screw	41.	530-014199	Fuel Filter Ass'y.			

✓ = NEW PART NUMBER FOR THIS IPL

★ = REFER TO THE SERVICE REFERENCE INDICATED FOR MORE INFORMATION. (LOCATED AT END OF IPL)

PARTS LIST NO. 530-067181		POULAN PRO® PARTS LIST	MODEL(S) 285,305,335
DATE 9/6/00	REPLACES 530-067181-7/1/93		PAGE NO. 3
Note: Illustration may differ from actual model due to design changes			

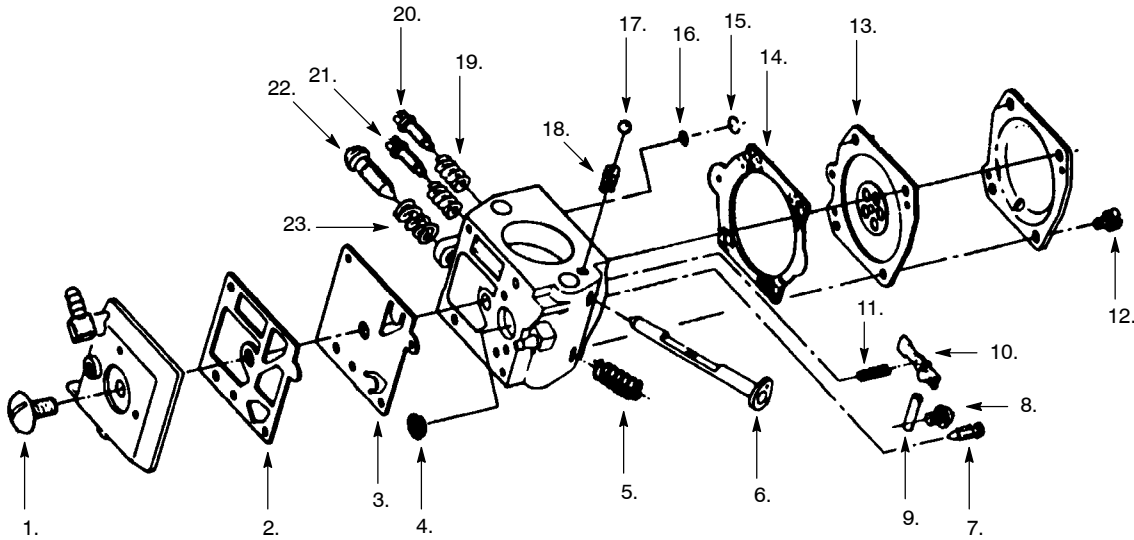


Ref.	Part No.	Description	Ref.	Part No.	Description	Ref.	Part No.	Description
1.	530-027140	Worm Gear	20.	530-023064	Bar Adjusting Pin	32.	530-021061	Oiler Discharge Line
2.	530-019147	Seal	21.	530-024419	"E" Ring	33.	530-002464	Oiler Discharge Sleeve
3.	530-069217	Gasket Set	22.	530-015730	Screw	34.	530-015422	Tubing Nut
4.	530-027128	Dust Plug	23.	530-015719	Bar Stud	35.	530-015752	Oiler Adjustment Pin
5.	530-014204	Plunger	24.	530-015108	Vent Pin	36.	530-027222	Chain Pad-Top
6.	530-027126	Spring	25.	-	Chain	37.	530-027223	Chain Pad
7.	530-069218	Oil Pump Kit (Incl. 1., 2., 4., -6., 8., 17., 18., 35.)		952-051301	16" (P33S-66)	38.	530-015733	Washer
8.	★★★★★	Screw- Serv. Ref. 2		952-051323	16" (P34S-66)	39.	530-052085	Chain Repair Kit
9.	530-015871	Screw		952-051313	18" (P33S-72)	40.	530-055072	Replaceable Sprocket Nose
10.	530-027272	Oil Pickup & Filter	26.	-	Bar	41.	952-069321	Chain Brake Kit
11.	530-027192	Oiler Intake Line		952-044372	16" SNR (.325-.050P)	42.	530-029236	Crankcase Plug
12.	530-028650	Rim Sprocket-Model 305 & 335		952-044373	16" SNR (.325-.058P)		Not Shown	
13.	530-032049	Bearing		952-044375	18" SNR (.325-.050P)		-	Carton Contents Bag
14.	530-048084	Drum Sprocket-Model 285		952-044376	18" SNR (.325-.058P)		530-010974	Model 285-16"
	530-048083	Drum-Model 305&335	27.	530-010977	20" SNR		530-014804	Model 285-20"
15.	530-027161	Clutch Plate	28.	530-015251	Bar Clamp (Incl.37.)		530-010995	Model 305-16"
16.	530-014161	Clutch Ass'y.	29.	--	Nut		530-010996	Model 305-18"
17.	530-027129	Oiler Gear Spur		530-031135	Scrench		530-010997	Model 305-20"
18.	530-019079	"O" Ring		530-031146	Silver Finish (1/2")		530-010997	Model 305-20"
19.	-	Handlebar	30.	-	Gold Finish (9/16")		530-014107	Model 335-16"
	530-022312	Model 285		530-027847	Handlebar Grip		530-014108	Model 335-18"
	530-022309	Model 305 & 335	31.	530-027776	Model 285		530-014109	Model 335-20"
				530-016058	Model 305 & 335			
					Screw			

✓ = NEW PART NUMBER FOR THIS IPL

★ = REFER TO THE SERVICE REFERENCE INDICATED FOR MORE INFORMATION. (LOCATED AT END OF IPL)

Carburetor Assembly - #530-035201 HDA - #49



Carb. Kwik
Repair Kit

Carb. Gasket/
Diaphragm Kit

24.

25.

Ref.	Part No.	Description	Ref.	Part No.	Description
1.	530-035237	Screw	21.	530-035246	Idle Needle
2.	530-035227	Fuel Pump Gasket	22.	530-035238	Idle Adjust Screw
3.	530-035229	Fuel Pump Diaphragm	23.	530-035242	Idle Adjust Spring
4.	530-035249	Inlet Screen	24.	530-035209	Kwik Repair Kit (Incl. 2,3,4,7-11, & 13-16, Welch Plug & Plug Cup)
5.	530-035244	Throttle Spring	25.	530-035213	Carb. Gasket Kit (Incl. 2,3,13 & 14)
6.	530-035216	Choke Shaft & Lever Ass'y.		Not Shown	
7.	530-035223	Inlet Needle Valve		530-035224	Welch Plug
8.	530-035236	Screw		530-035225	Plug Cup
9.	530-035250	Pin			
10.	530-035252	Metering Lever			
11.	530-035241	Spring			
12.	530-035239	Screw			
13.	530-035230	Metering Diaphragm			
14.	530-035228	Metering Diaphragm Gasket			
15.	530-035204	Retaining Ring			
16.	530-035248	Check Valve Screen			
17.	530-035226	Ball			
18.	530-035240	Spring			
19.	530-035243	Needle Adjusting Spring			
20.	530-035245	High Speed Needle			

★ = REFER TO THE SERVICE REFERENCE INDICATED FOR MORE INFORMATION. (LOCATED AT END OF IPL)

↗ = NEW PART NUMBER FOR THIS IPL

PARTS LIST NO. 530-067181		POULAN PRO[®] PARTS LIST	MODEL(s) 285,305,335
DATE 9/6/00	REPLACES 530-067181-7/1/93		Note: Illustration may differ from actual model due to design changes

SERVICE REFERENCE

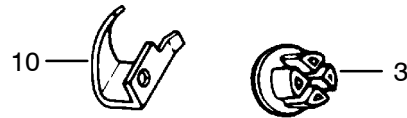
1. Chain Catcher

Original models were manufactured with a one piece Chain Catcher. Models are now manufactured with a two piece Chain Catcher and Retainer. Note the differences as illustrated below. This bracket provides better support for the Chain Catcher. If your unit uses the one piece design illustrated below you will need to order the new Chain Catcher and Chain Catcher Retainer (see illustration below for part numbers) to service your unit. If you have the two piece assembly illustrated below, you can service your unit directly. Installation instructions are included with the Bracket Kit.

One Piece Assembly



Two Piece Assembly



<u>Key No.</u>	<u>Part No.</u>	<u>Description</u>
3	530-027732	Chain Catcher Retainer
10	530-027733	Chain Catcher

2. Oiler Adjusting Screw

Units have been manufactured with different type oiler adjusting screws. When ordering the screw, refer to the illustrations below and order accordingly.



530-015699



530-015873