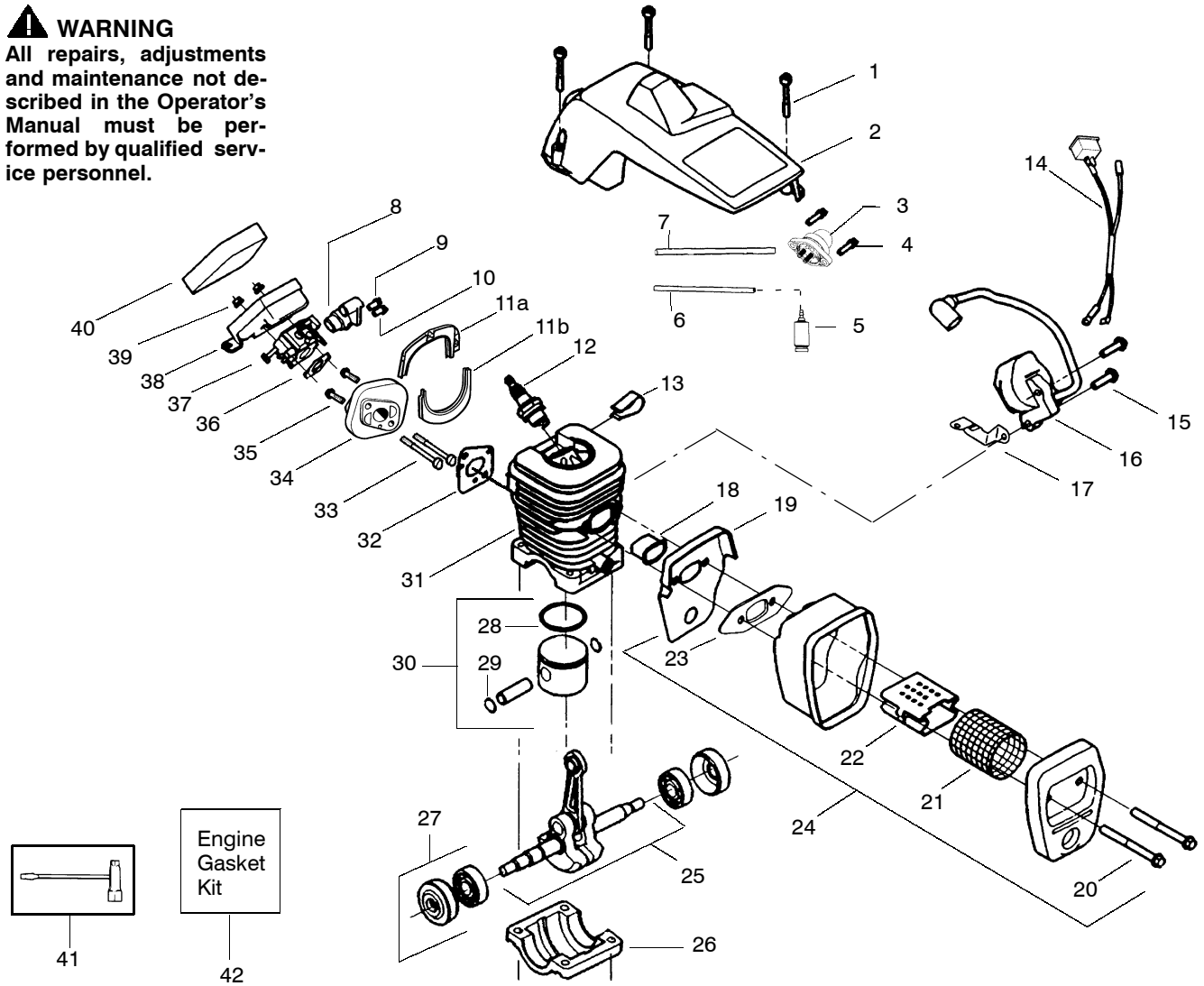


| Ref. | Part No. | Description | Ref. | Part No. | Description | Ref. | Part No. | Description |
|------|-----------|----------------------|------|-----------|----------------------------------|------|-----------|--|
| 1. | 530047963 | Assy.—Isolator | 22. | 530049797 | Starter Handle | 45. | 530071259 | Oil Pump Kit (Incls. 45-48) |
| 2. | 530047608 | Limiter Strap | 23. | 530027531 | Recoil Spring | 46. | 530037820 | Gear—Worm Spring |
| 3. | 530042082 | Spring—Isolator | 24. | 530037817 | Starter Pulley | 47. | 530049477 | Elbow—Oil Pickup |
| 4. | 530015123 | Washer | 25. | 530015920 | Screw | 48. | 530019206 | Seal Block |
| 5. | 530015814 | Screw | 26. | 530016134 | Nut—Flywheel | 49. | 530016064 | Screw |
| 6. | 530036142 | Sleeve—AV Spring | 27. | 530015127 | Washer—Flywheel | 50. | 530047663 | Oil Pick—up Ass'y (Incl. 51-53) |
| 7. | 530047583 | Front Handle | 28. | 530039209 | Flywheel Ass'y. | 51. | 530038373 | Pick-up Oiler |
| 8. | 530016179 | Screw | 29. | 530016133 | Bolt — Bar | 52. | 530037821 | Oil Filter |
| 9. | 530044834 | Bar—16" Quick Adjust | 30. | 530047192 | Fuel Cap Ass'y. | 53. | 530030189 | Plug—Oil Filter |
| 10. | 952051211 | Chain—16" | 31. | 530015922 | Nut — "U"—Type | 54. | 530069572 | Kit — Switch |
| 11. | 530038238 | Plate—Bar Mounting | 32. | 530023877 | Fitting — Fuel Line | 55. | 530047605 | Knob — Choke |
| 12. | 530029850 | Chain Catcher | 33. | 530069216 | Kit—Line purge/tank (large dia.) | 56. | 530049005 | Grommet—Choke knob |
| 13. | 530016132 | Screw | 34. | 530047631 | Grommet—Cable | 57. | 530047621 | Assy. — Chassis (incl. 16,29,30,33, and from page two 5,6) |
| 14. | 530026119 | Check Valve | 35. | 530047602 | Cable—Throttle | 58. | 530015907 | Washer — thrust |
| 15. | 530038264 | Plug—Bronze Vent | 36. | 530015906 | Screw | 59. | 530047061 | Clutch drum ass'y— with bearing |
| 16. | 530010846 | Oil Cap Ass'y. | 37. | 530015886 | Screw | 60. | 530015611 | Washer — Clutch |
| 17. | 530023817 | Spring—Starter Dog | 38. | 530047581 | Cover—Rear Handle | 61. | 530014949 | Assy. Clutch (incl 62) |
| 18. | 530016080 | Screw | 39. | 530036098 | Throttle lockout | 62. | 530094188 | Spring — Clutch |
| 19. | 530015892 | Screw | 40. | 530036097 | Throttle trigger | 63. | 530054999 | Kit — Chain Brake |
| 20. | 530049335 | Fan Housing | 41. | 530015875 | Screw | 64. | 530015917 | Nut—Bar Mounting |
| 21. | 530069232 | Rope Kit | 42. | 530071385 | Isolator Assy. (Upper) | | | |
| | | | 43. | 530053274 | Isolator Assy. (Lower) | | | |
| | | | 44. | 530047582 | Rear Handle | | | |

✓ = NEW PART NUMBER FOR THIS IPL ★ = REFER TO THE SERVICE REFERENCE INDICATED FOR MORE INFORMATION. (LOCATED AT END OF IPL)

⚠ WARNING
All repairs, adjustments and maintenance not described in the Operator's Manual must be performed by qualified service personnel.

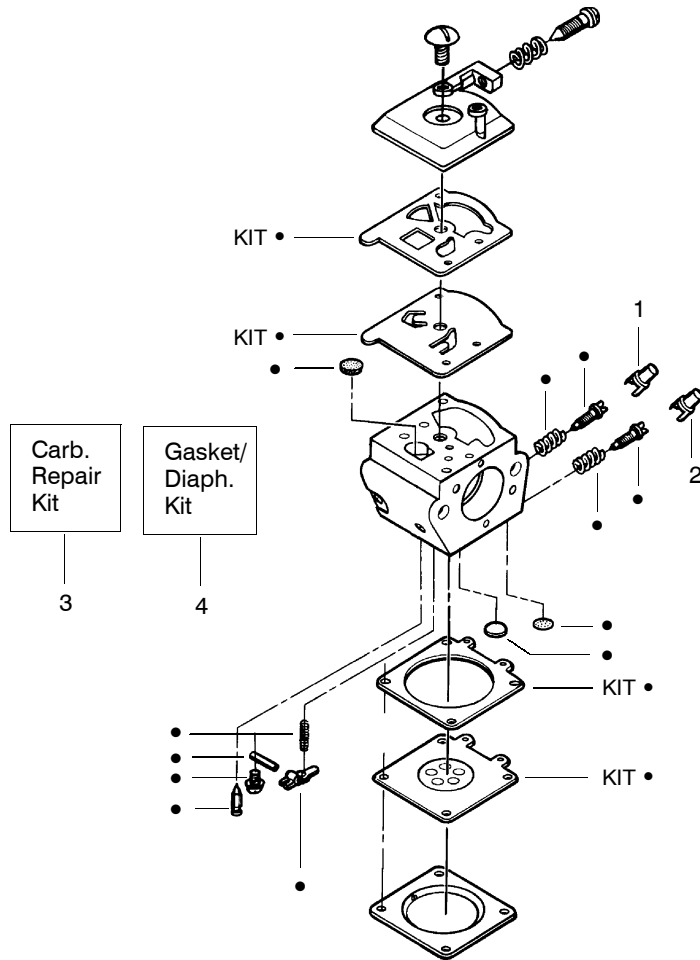


| Ref. | Part No. | Description | Ref. | Part No. | Description | Ref. | Part No. | Description |
|------|-----------|---------------------------------------|------|-----------|--|-----------|-----------|------------------------------------|
| 1. | 530016153 | Screw | 17. | 530047442 | Ground Strap | 36. | 530019239 | Carb. Gasket |
| 2. | 530053183 | Cylinder Shield | 18. | 530037652 | Heat Insulator | 37. | 530069722 | Carburetor Kit (incl. 9 & 10) |
| 3. | 530047213 | Air Purge Ass'y. | 19. | 530049870 | Muffler Back Plate | 38. | 530047604 | Air Filter Housing |
| 4. | 530015780 | Screw | 20. | 530016132 | Screw | 39. | 530016101 | Nut - Carb. Screw |
| 5. | 530095646 | Fuel Pick-up Ass'y. | 21. | 530036103 | Spark Screen | 40. | 530037793 | Air Filter - Foam |
| 6. | 530069247 | Kit-Line Purge/Carb. (Small Dia) | 22. | 530037813 | Muffler Diffuser | 41. | 530031135 | Scrench |
| 7. | 530069216 | Kit-Line Purge/Tank (large line) | 23. | 530019221 | Muffler Gasket | 42. | 530069608 | Engine Gasket Kit (incl. 36,32,23) |
| 8. | 530049244 | Grommet-Carb Adjust. | 24. | 530047207 | Muffler Ass'y. (Incl. 19,20, 21,22,23) | | | |
| 9. | 530038318 | Limiter Cap-High | 25. | 530047062 | Crankshaft Assy. | | | |
| 10. | 530038317 | Limiter Cap-Low | 26. | 530037935 | Cap-Crankcase | | | |
| 11. | -- | Seal-Carb Adapter | 27. | 530047827 | Seal & Bearing Assy. | Not Shown | | |
| | 530049715 | (A) Upper - Seal | 28. | 530038729 | Piston Ring | | 530088740 | Operator Manual |
| | 530049714 | (B) Lower - Seal | 29. | 530015697 | Retainer - Piston Pin | | 530038257 | Instruction Decal |
| 12. | 952030150 | Spark Plug (RCJ-7Y) | 30. | 530069719 | Piston Kit - (incl. 28-29) | | | |
| 13. | 530016136 | Clip-High Tension Lead | 31. | 530069720 | Cylinder Kit | | | |
| 14. | 530049117 | Wire Harness Ass'y. (includes switch) | 32. | 530019249 | Gasket - Carb. Adapter | | | |
| 15. | 530015814 | Screw | 33. | 530016187 | Screw | | | |
| 16. | 530039198 | Ignition Module | 34. | 530069964 | Carb. Adapter Kit (incl. 11,2,36,32) | | | |
| | | | 35. | 530015810 | Screw | | | |

↖ = NEW PART NUMBER FOR THIS IPL

★ = REFER TO THE SERVICE REFERENCE INDICATED FOR MORE INFORMATION. (LOCATED AT END OF IPL)

Carburetor Assembly - #530069722-WT391



| Ref. | Part No. | Description |
|------|-----------|--|
| 1. | 530038318 | Limiter Cap-High |
| 2. | 530038317 | Limiter Cap-Low |
| 3. | 530069826 | Carburetor Repair Kit (● Indicates Contents) |
| 4. | 530069844 | Gasket/Diaphragm Kit (KIT=Indicates Contents) |