

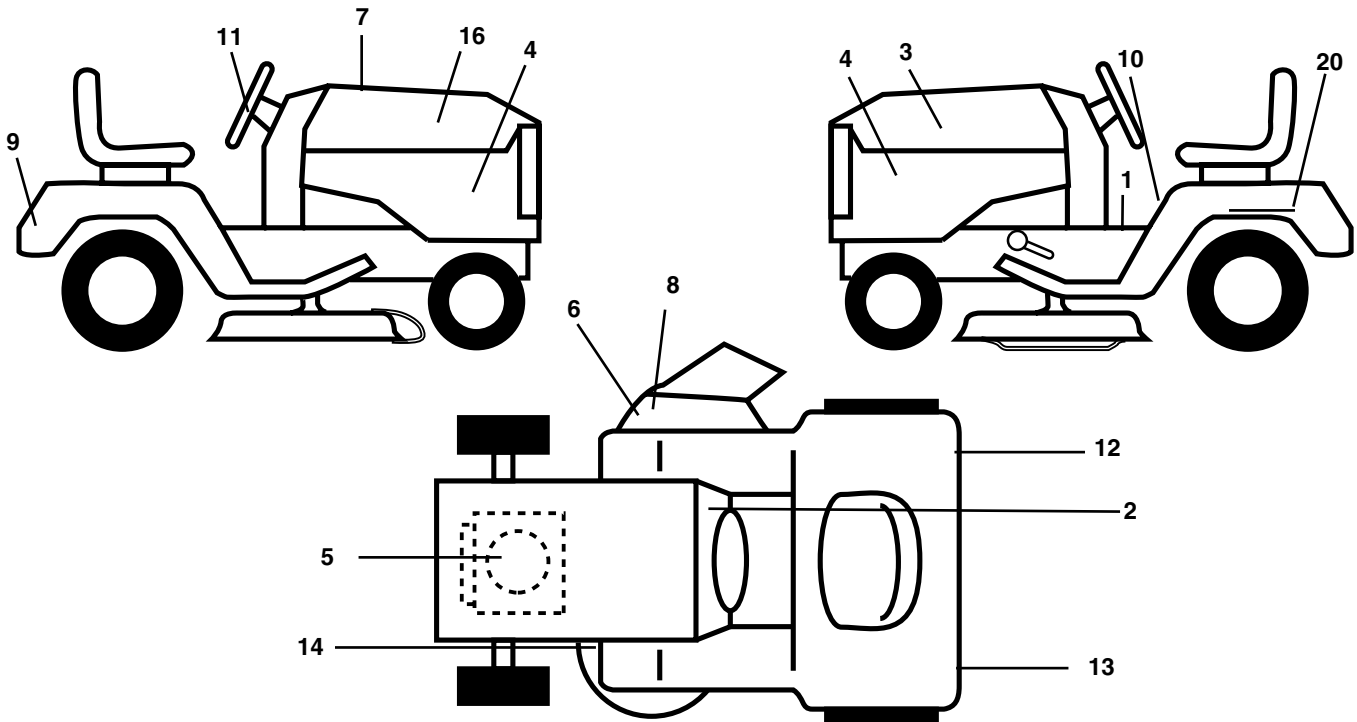
ILLUSTRATED PARTS LIST

MFG ID NO. 96012002900

CUSTOMER CATALOG NO. DB18542YT

TRACTOR - - MODEL NUMBER DB18542YT (96012002900)

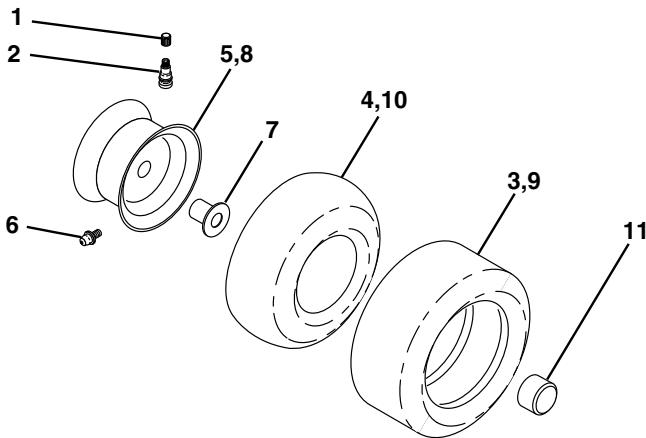
DECALS



KEY NO.	PART NO.	DESCRIPTION
1	193863	Decal Oper
2	186503	Decal SDPNL
3	176273	Decal Hood LH
4	189290	Decal Side Panel Logo
5	189288	Decal Engine
6	170563	Decal Warning, Keep Hand Away
7	194983	Decal Replacement Parts
8	179128	Decal Deck "B" 42"
9	172740	Decal Fender Logo
10	157140	Decal Fender Danger E/F
11	172743	Decal Ins Strg Whl
12	173587	Fend Reflector RH

KEY NO.	PART NO.	DESCRIPTION
13	173589	Fend Reflector LH
14	160396	Decal V-Belt Schematic
16	176272	Decal Hood Rh
20	145005	Decal Bat Dan/Psn
--	138311	Decal Lift Handle
--	184310X428	Pad Footrest LH
--	184311X428	Pad Footrest RH
--	194993	Manual Operator's (English & French)

WHEELS AND TIRES



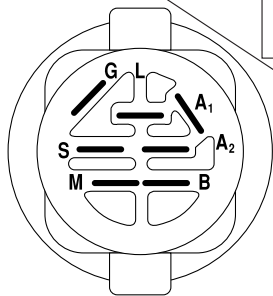
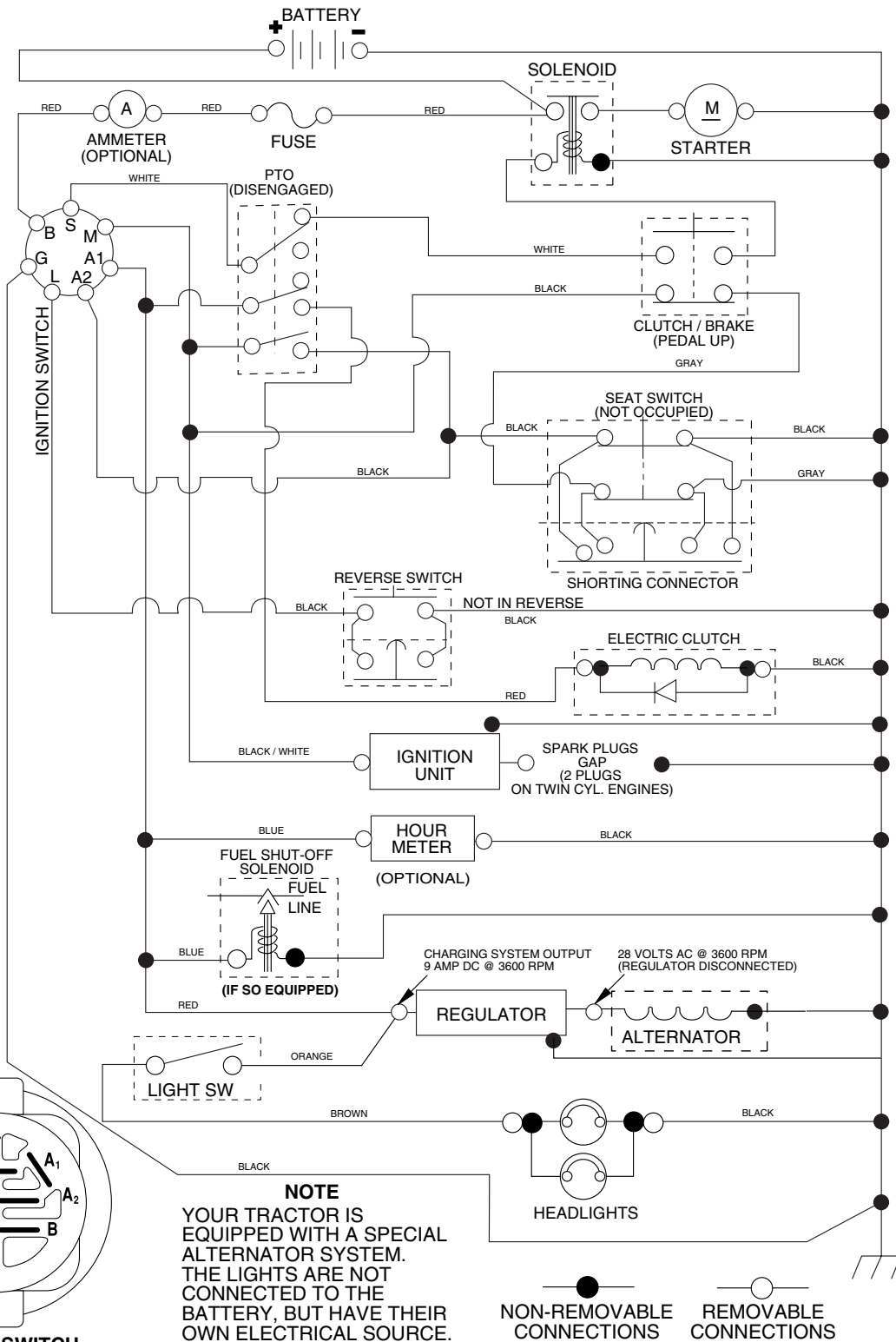
KEY NO.	PART NO.	DESCRIPTION
1	59192	Cap Valve Tire
2	65139	Stem Valve
3	106222X	Tire F T 15 x 6 0 - 6 Service
4	59904	Tube Front (Service Item Only)
5	106732X421	Rim Asm 6" front Service
6	278H	Fitting Grease (Front Wheel Only)
7	9040H	Bearing Flange (Front Wheel nly)
8	106108X421	Rim Asm 8" rear Service
9	138468	Tire R T
10	7152J	Tube Rear (Service Item Only)
11	104757X421	Cap Axle Blk 1 50 x 1 00
--	144334	Sealant, Tire (10 oz. Tube)

NOTE: All component dimensions given in U.S. inches
1 inch = 25.4 mm

TRACTOR - - MODEL NUMBER DB18542YT (96012002900)

SCHEMATIC

02834_19389



IGNITION SWITCH

POSITION	CIRCUIT "MAKE"
OFF	M+G+A1
RUN/OVERRIDE	B+A1
RUN	B+A1 L+A2
START	B + S + A1

02834

NOTE
 YOUR TRACTOR IS EQUIPPED WITH A SPECIAL ALTERNATOR SYSTEM. THE LIGHTS ARE NOT CONNECTED TO THE BATTERY, BUT HAVE THEIR OWN ELECTRICAL SOURCE. BECAUSE OF THIS, THE BRIGHTNESS OF THE LIGHTS WILL CHANGE WITH ENGINE SPEED. AT IDLE THE LIGHTS WILL DIM. AS THE ENGINE IS SPEEDED UP, THE LIGHTS WILL BECOME THEIR BRIGHTEST.

WIRING INSULATED CLIPS

NOTE: IF WIRING INSULATED CLIPS WERE REMOVED FOR SERVICING OF UNIT, THEY SHOULD BE REPLACED TO PROPERLY SECURE YOUR WIRING.

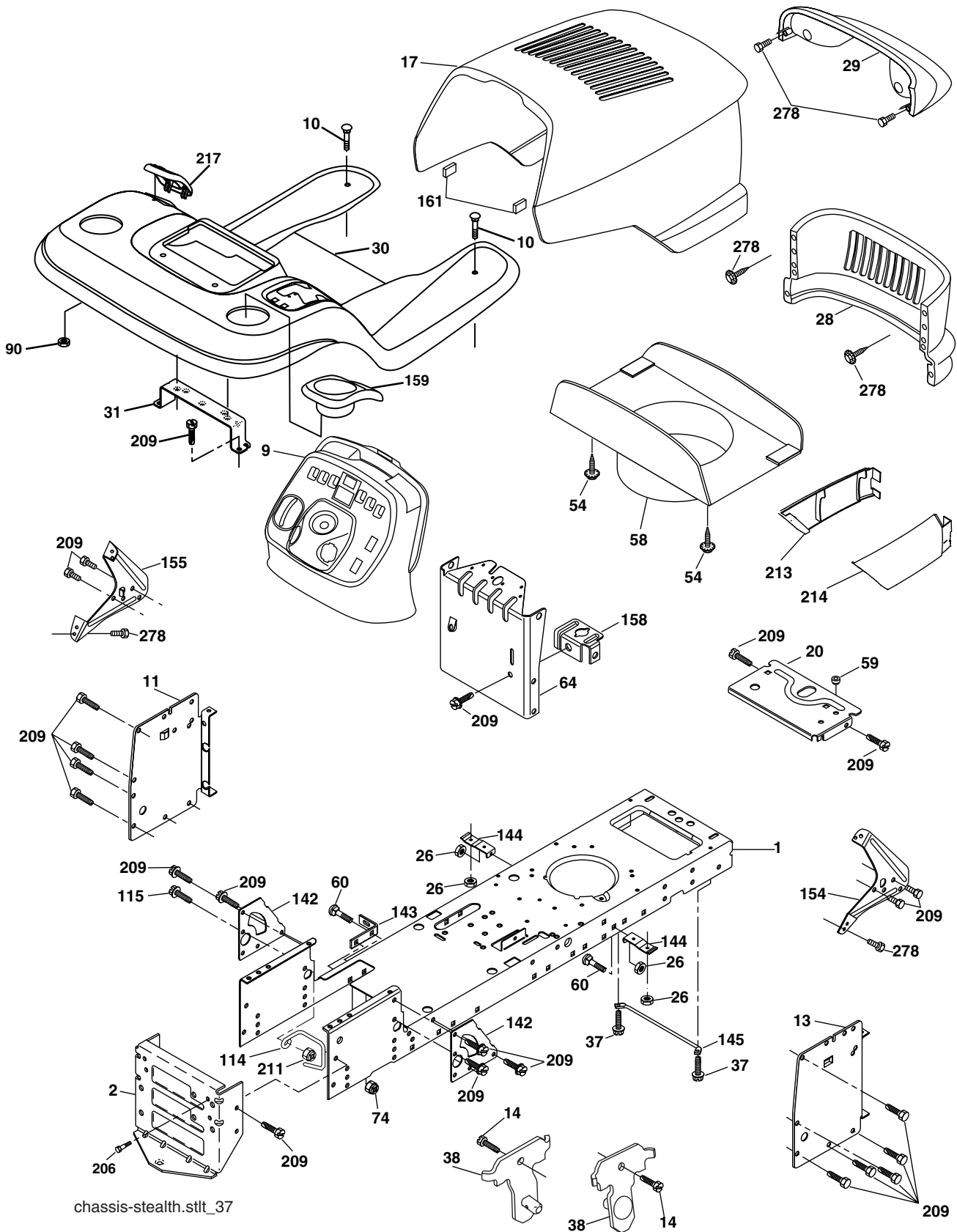
TRACTOR - - MODEL NUMBER DB18542YT (96012002900)
ELECTRICAL

KEY NO.	PART NO.	DESCRIPTION
1	163465	Battery
2	74760412	Bolt Hex Hd 1/4-20 unc x 3/4
8	7603J	Tray Battery
10	145211	Bolt Battery 1/4-20 x 7.5
11	150109	Holddown Battery
12	145769	Nut Push Nylon 1/4"
16	176138	Switch Interlock
21	175688	Harness Socket Light
22	4152J	Bulb, Light # 1156
24	8860R	Cable Battery
25	146148	Cable Battery
26	175158	Fuse
27	73510400	Nut Keps Hex 1/4-20 unc
28	145491	Cable Ground
29	192749	Switch Seat
30	193350	Switch Ign
33	140401	Key Ign Molded Generic
34	110712X	Switch Light/Reset B/B/Red
40	193389	Harness Ign
41	17720408	Screw 1/4-20 unc x 1/2
42	131563	Cover Terminal Red
43	178861	Solenoid
48	140844	Adaptor Ameter
50	174653	Switch PTO
52	141940	Protection Loop
55	17490508	Screw Thdrol 5/16-18 x 1/2
79	175242	Socket Arm Bulb
80	146685	Harness Clutch
92	193465	Harness Pigtail Reverse Switch
93	192540	Screw Plastic 10-14 x 2.0
94	191834	Module Reverse ROS

NOTE: All component dimensions given in U.S. inches
1 inch = 25.4 mm

TRACTOR - - MODEL NUMBER DB18542YT (96012002900)

CHASSIS



chassis-stealth.stlt_37

TRACTOR - - MODEL NUMBER DB18542YT (96012002900)

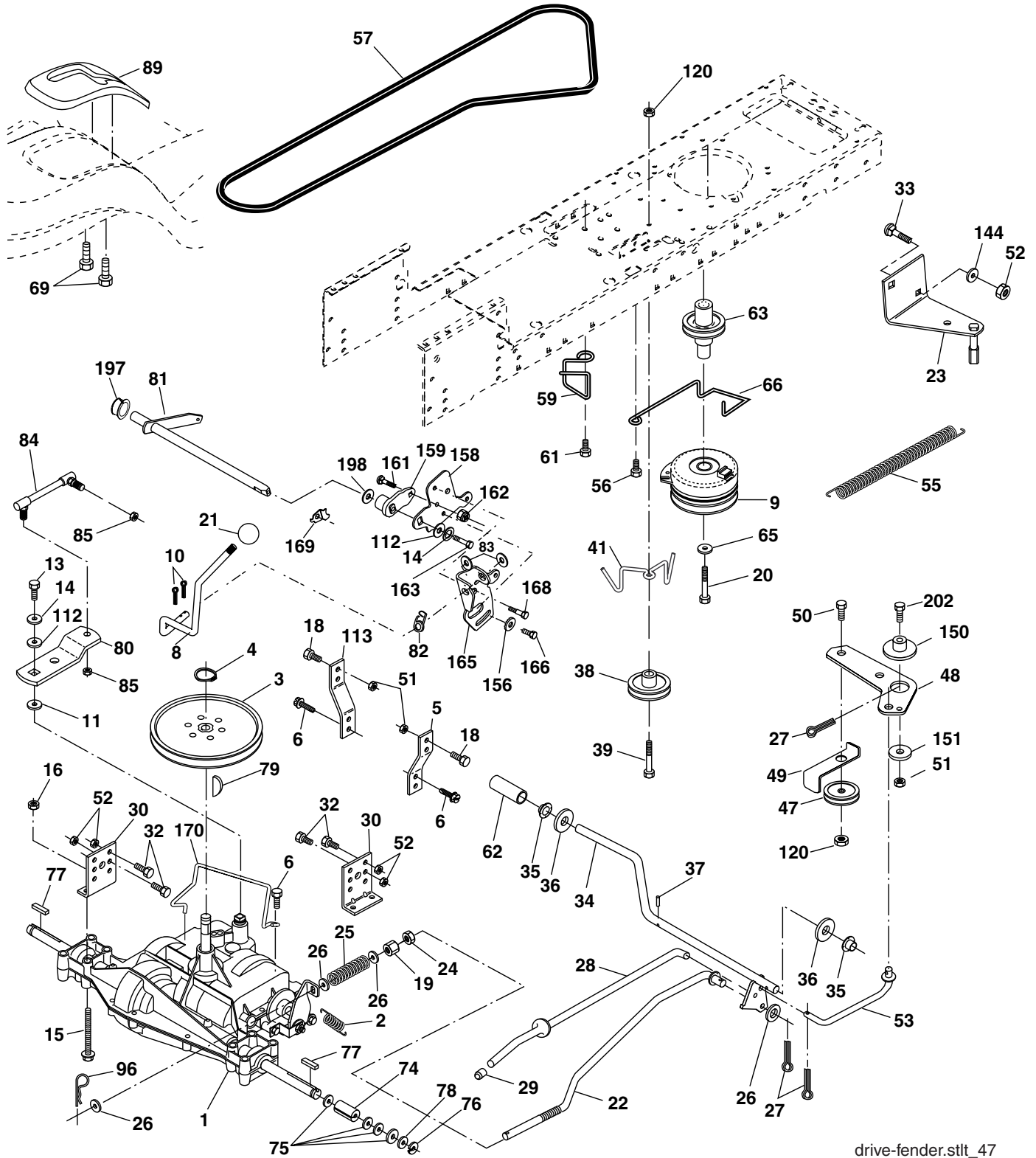
CHASSIS

KEY NO.	PART NO.	DESCRIPTION
1	174619	Chassis
2	176554	Drawbar
9	193635X428	Dash P/L
10	72140608	Bolt Carriage 3/8-16 x 1
11	167203	Panel Dash Lh
13	188702X010	Panel Dash Rh
14	17490608	Screw Thdrol 3/8-16 x 1/2
17	175260X428	Hood
20	162026	Plate Battery
26	73800600	Nut Lock Hex W/Ins 3/8-16 unc
28	175289X428	Grille
29	161840	Lens Bar
30	192395X428	Fender
31	139976	Bracket Fender
37	17490508	Screw Thdrol 6/16-18 x 1/2 TYT
38	175710	Bracket Asm Pivot Mower Rear
54	192512	Screw WSHD Hex 10-32 x 5/8
58	175351	Duct Air
59	187495	Bushing 1.375 OD
60	72140606	Bolt RDHD SQNK 3/8-16 UNC x 3/4
64	174997	Dash Lower STLT
74	73680600	Nut Crownlock 3/8-16 UNC
90	1243646X	Nut Self-Thd Wsh-Hd 1/4
114	158112	Keeper Belt Rear LH
115	17060620	Screw 3/8-16 x 1-1/4
142	175702	Plate Reinforcement STLT
143	186689	Bracket Swaybar Chassis
144	175582	Bracket Footrest Step-Thru
145	156524	Rod Pivot Chassis/Hood
154	161897	Bracket Dash RH
155	161900	Bracket Dash LH
158	162037	Bracket Parking Brake
159	191120X428	Cupholder
161	164655	Bumper Hood
206	170165	Bolt Shoulder 5/16-18
209	17000612	Screw Hexwsh Thdr 3/8-16 x 3/4
211	145212	Nut Hex Flange Lock
213	169848X428	Skirt Grille LH
214	169847X428	Skirt Grille RH
217	179132X428	Console Fuel Window
278	191611	Screw 10 x 3/4 Single Lead-Hex

NOTE: All component dimensions given in U.S. inches
1 inch = 25.4 mm

TRACTOR - - MODEL NUMBER DB18542YT (96012002900)

DRIVE



drive-fender.stlt_47

TRACTOR - - MODEL NUMBER DB18542YT (96012002900)

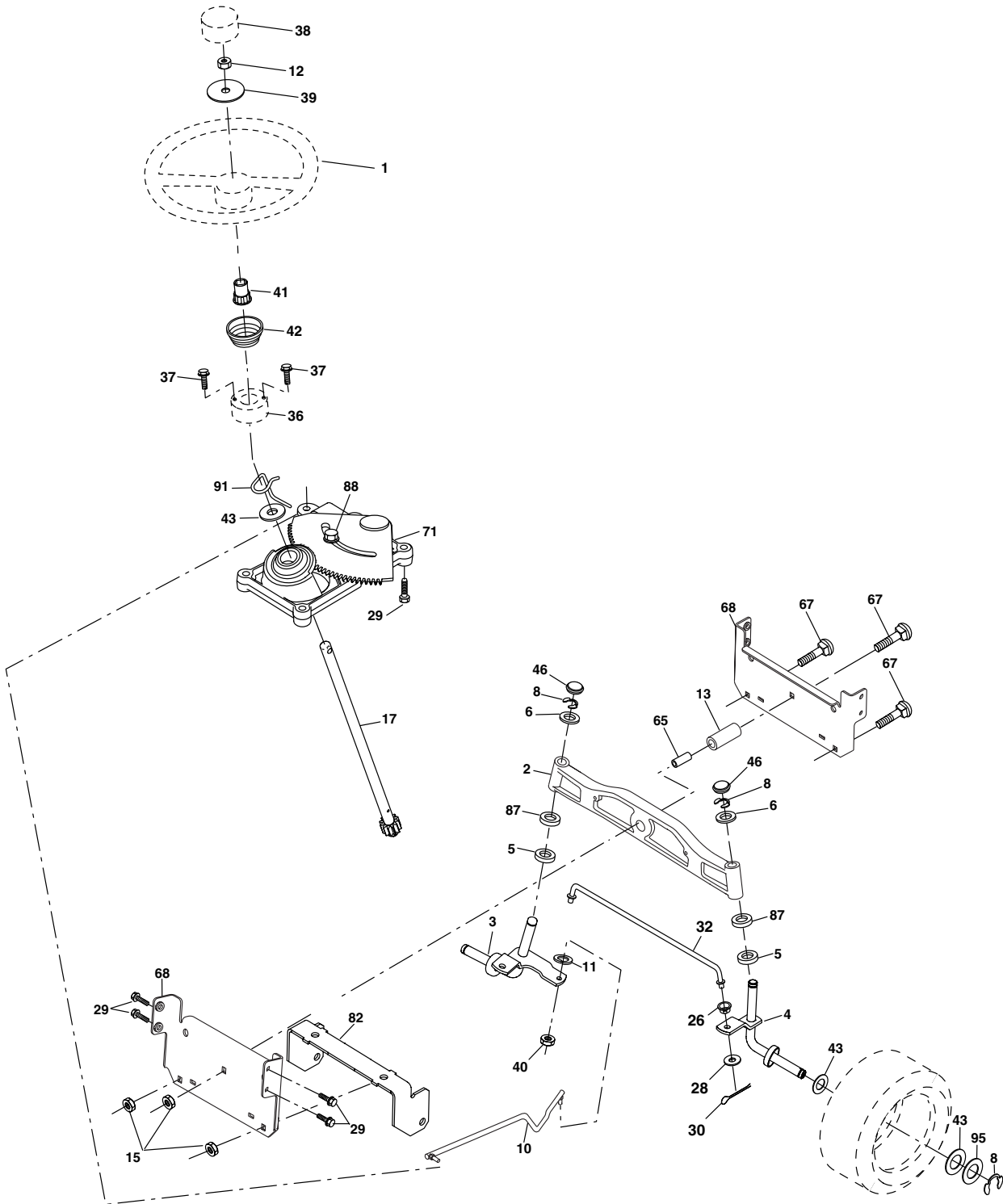
DRIVE

KEY NO.	PART NO.	DESCRIPTION	KEY NO.	PART NO.	DESCRIPTION
1	-----	Transaxle Peerless (206-545C) (Order parts from transaxle manufacturer)	56	17060620	Screw 3/8-16 x 1-1/4
2	146682	Spring Return Brake T/a Zinc	57	130801	V-Belt Ground Drive 95 25
3	123666X	Pulley Transaxle 18" tires	59	169691	Keeper Belt Span Ctr
4	12000028	Ring Retainer # 5100-62	61	17120614	Screw 3/8-16 x .875
5	121520X	Strap Torque 30 Degrees	62	8883R	Cover Pedal Blk Round
6	17060512	Screw 5/16-18 x 3/4	63	175414	Engine Pulley
8	192502	Rod Shift Fender Adjust Lt	65	10040700	Washer Lock Hvy Hlcl Spr 7/16
9	160889	Clutch Elect	66	154778	Keeper Belt Engine Foolproof
10	76020416	Pin Cotter 1/8 x 1 Cad	69	142432	Screw Hex wsh HiLo 1/4 x 1/2 unc
11	105701X	Washer Plate Shf 388 Sq Hole	74	137057	Spacer Axle
13	74550412	Bolt 1/4-28 Unf Gr 8 W/Patch	75	121749X	Washer 25/32 x 1-1/4 x 16 Ga
14	10040400	Washer Lock Hvy Helical	76	12000001	E-ring #5133-75
15	74490544	Bolt Hex FLGHD 5/16-18 Gr. 5	77	123583X	Key Square 2 0 x 1845/1865
16	73800500	Nut Lock Hex w/ins 5/16-18	78	121748X	Washer 25/32 x 1-5/8 x 16 Ga
18	74780616	Bolt, Fin Hex 3/8-16 unc x 1 Gr. 5	79	2228M	Key Woodruff #9 3/16 x 3/4
19	73800600	Nut Lock 3/8-16 unc	80	145090	Arm Shift
20	150280	Bolt Hex 7/16-20 x 4-1/4	81	165592	Shaft Asm Cross Tapered PMST/20
21	106933X	Knob	82	165711	Spring Torsion T/a
22	130804	Rod Brake Blk Zinc 26 840	83	19171216	Washer 17/32 x 3/4 x 16 Ga
23	171258	Bracket Asm Anti Rotation	84	166231	Link Transaxle PMST/20" Zinc
24	73350600	Nut Hex Jam 3/8-16 unc	85	150360	Nut Lock Center 1/4 - 28 FNTHD
25	106888X	Spring Rod Brake 2 00 Zinc	89	192388X428	Console Shift STLT
26	19131316	Washer 13/32 x 13/16 x 16 Ga.	96	4497H	Retainer Spring 1"
27	76020412	Pin Cotter 1/8 x 3/4 Cad	100	19111016	Washer 11/32 x 5/8 x 16 Ga.
28	175765	Rod Brake Parking LT/YT	112	19091210	Washer 9/32 x 3/4 x 10 Ga.
29	71673	Cap Brake Parking	113	127285X	Strap Torque LT
30	169592	Bracket Mtg Transaxle	120	73900600	Nut Lock Flg. 3/8-16 unc
32	74760512	Bolt Hex Hd 5/16-18unc X 3/4	150	175456	Spacer Retainer
33	72140506	Bolt 5/16-18 UNC x 3/4	151	19133210	Washer 13/32 x 2 x 10
34	175578	Shaft Asm Pedal Foot	156	166002	Washer Srrted 5/16ID x 1.125
35	120183X	Bearing Nylon Blk 629 Id	158	165589	Bracket Shift Mount
36	19211616	Washer 21/32 x 1 x 16 Ga.	159	183900	Hub Shift
37	1572H	Pin Roll 3/16 x 1"	161	72140406	Bolt Rdhd Sqnk 1/4-20 x 3/4
38	179114	Pulley Composite Flat	162	73680400	Nut Crownlock 1/4-20 unc
39	72110622	Bolt RDH 3/8-16 unc x 2-3/4 Gr. 5	163	74780416	Bolt Hex Fin 1/4-20 unc x 1 Gr. 5
41	175556	Keeper Belt Flat Idler	165	165623	Bracket Pivot Lever
47	127783	Pulley Idler V Groove Plastic	166	17490510	Screw 5/16-18 x 5/8
48	154407	Bellcrank Asm	168	165492	Bolt Shoulder 5/16-18 x .561
49	123205X	Retainer Belt Style Spring	169	165580	Plate Fastening
50	72110612	Bolt Hex Hd 3/8-16 unc X 1-1/2	170	187414	Keeper Belt Transaxle Gear
51	73680600	Nut Crownlock 3/8-16 unc	197	169613	Nyliner Snap-In
52	73680500	Nut Crownlock 5/16-18 unc	198	169593	Washer Nyliner
53	105710X	Link Clutch	202	72110614	Bolt Carr Sh 3/8-16 x 1-3/4 Gr. 5
55	105709X	Spring Return Clutch 6 75			

NOTE: All component dimensions given in U.S. inches
1 inch = 25.4 mm

TRACTOR - - MODEL NUMBER DB18542YT (96012002900)

STEERING ASSEMBLY



steering_stealth_prem_13

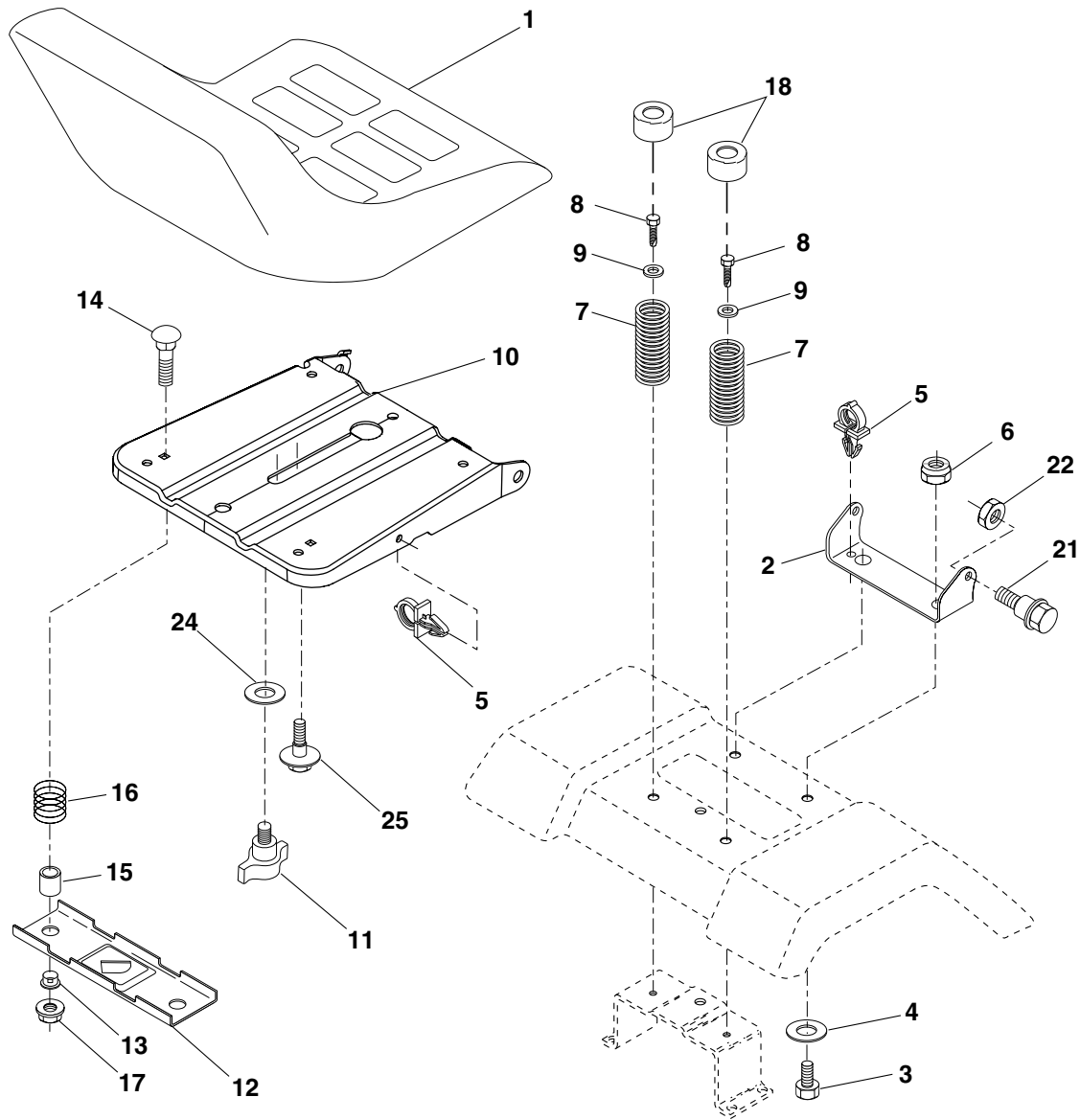
TRACTOR - - MODEL NUMBER DB18542YT (96012002900)
STEERING ASSEMBLY

KEY NO.	PART NO.	DESCRIPTION
1	186094X428	Wheel Steering
2	184706	Axle Asm Cast Iron LT
3	169840	Spindle Asm LH
4	169839	Spindle Asm RH
5	6266H	Bearing Race Thrust Harden
6	121748X	Washer 25/32 x 1-5/8 x 16 Ga.
8	12000029	Ring Klip #t5304-75
10	175121	Link Drag
11	10040600	Washer Lock Hvy Hlcl Spr 3/8
12	73940800	Nut Hex Jam Toplock 1/2-20 unf
13	136518	Spacer Brg Axle Front
15	145212	Nut Hex Flange Lock
17	177883	Shaft Asm Steering
26	126847X	Bushing Link Drag
28	19131416	Washer 13/32 x 7/8 x 16 Ga.
29	17000612	Screw 3/8-16 x .75
30	76020412	Pin Cotter 1/8 x 3/4
32	192757	Rod Tie
36	155105	Bushing Strg
37	152927	Screw
38	186095X428	Insert Cap Strg Wh
39	19183812	Washer 9/16 x 2-3/8 OD 12 Ga.
40	73540600	Crownlock nut
41	186737	Adaptor Wheel Strg
42	163888X428	Boot Steering Dash
43	121749X	Washer 25/32 x 1 1/4 x 16 Ga.
46	121232X	Cap Spindle Fr Top Blk
65	160367	Spacer Brace Axle
67	72110618	Bolt RDHD SQNK 3/8-16 x 2 1/4
71	175146	Steering Asm
68	169827	Axle, Brace
82	169835	Bracket Susp Chassis Front
87	173966	Washer Flat .781 x 1-1/2 x .14
88	175118	Bolt Shoulder 7/16-20 unc
91	175553	Clip Steering
95	188967	Washer Harden .739 x 1.637 x 060

NOTE: All component dimensions given in U.S. inches
1 inch = 25.4 mm

TRACTOR - - MODEL NUMBER DB18542YT (96012002900)

SEAT ASSEMBLY



seat_lt.knob_2

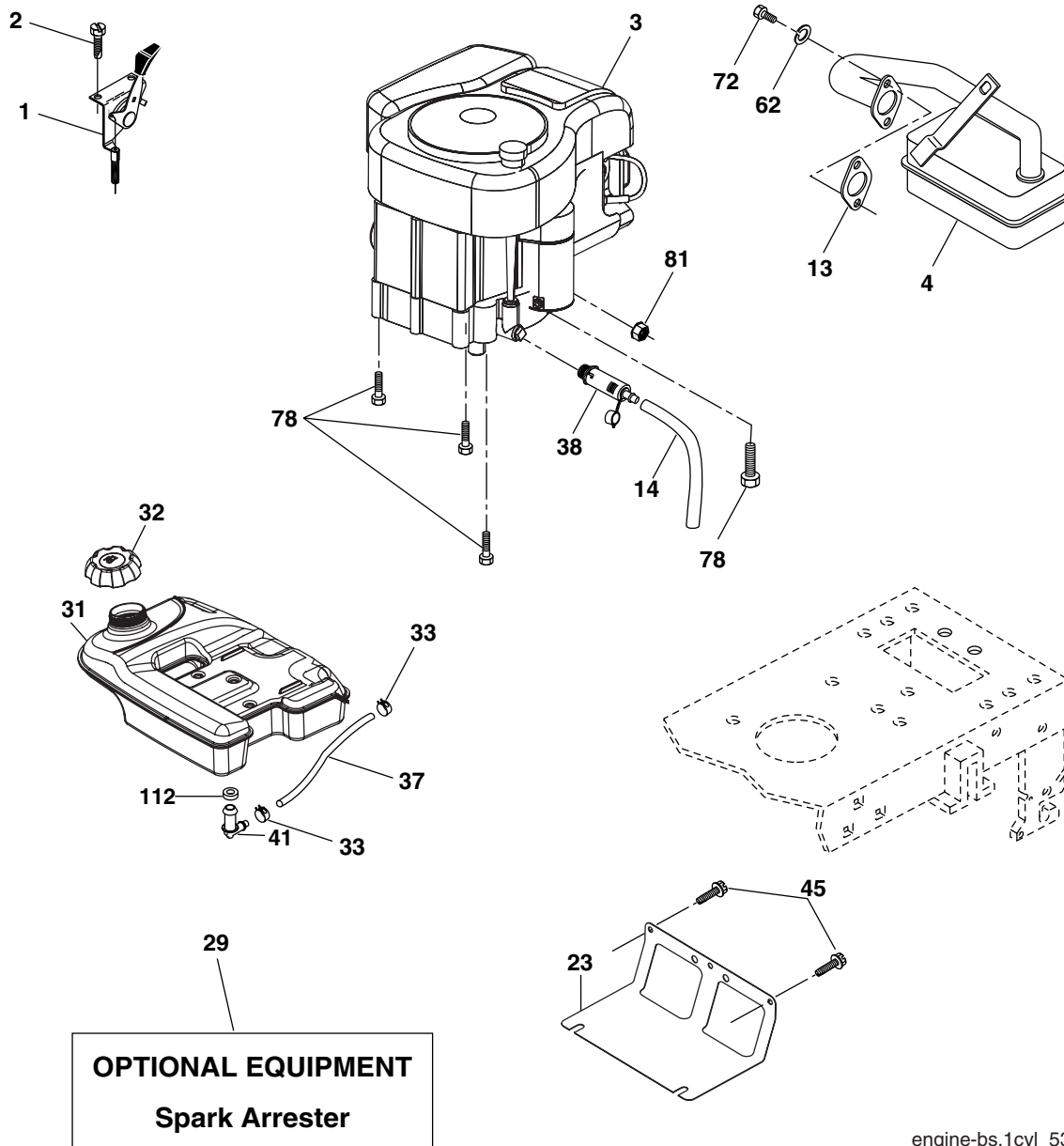
KEY NO.	PART NO.	DESCRIPTION
1	188720	Seat
2	140551	Bracket Pivot Seat 8 720
3	71110616	Bolt Fin Hex 3/8-16 unc x 1
4	19131610	Washer 13/32 x 1 x 10 Ga.
5	145006	Clip Push-In
6	73800600	Nut Hex w/Ins. 3/8-16 unc
7	124181X	Spring Seat Cprsn 2 250 Blk Zi
8	17000616	Screw 3/8-16 x 1.5 Smgml
9	19131614	Washer 13/32 x 1 x 14 Ga.
10	182493	Pan Seat
11	166369	Knob Seat
12	174648	Bracket Mounting Switch
13	121248X	Bushing Snap Blk Nyl 50 Id

KEY NO.	PART NO.	DESCRIPTION
14	72050412	Bolt Rdhd Sqnk 1/4-20 x 1-1/2
15	134300	Spacer Split 28x 88
16	121250X	Spring Cprsn
17	123976X	Nut Lock 1/4 Lge Flg Gr. 5 Zinc
18	124238X	Cap Spring
21	171852	Bolt Shoulder 5/16-18 unc
22	73800500	Nut Hex Lock W/Ins 5/16-18
24	19171912	Washer 17/32 x 1-3/16 x 12 Ga.
25	127018X	Bolt Shoulder 5/16-18 x 62

NOTE: All component dimensions given in U.S. inches
1 inch = 25.4 mm

TRACTOR - - MODEL NUMBER DB18542YT (96012002900)

ENGINE



engine-bs.1cyl_53

KEY NO.	PART NO.	DESCRIPTION
1	176636X428	Control, Throttle
2	191611	Screw 10 x 3/4 Single Lead-Hex
3	-----	Engine Briggs Model 31P777 (Order Parts from Engine Mfg.)
4	137352	Muffler
13	165291	Muffler Gasket
14	148456	Tube Oil Drain
23	169837	Shield, Browning/Debris Guard
29	137180	Arrester, Spark
31	179022	Tank, Fuel
32	179124X428	Cap, Fuel
33	123487X	Clamp, Hose Blk
37	8543R	Line, Fuel
38	181654	Plug Drain Oil Easy
41	139277	Stem Tank Fuel
45	17000612	Screw Hex Wsh Thdrol 3/8-16 x 3/4

KEY NO.	PART NO.	DESCRIPTION
62	10010500	Washer Split
72	71070512	Screw 5/16-18 x 3/4
78	17060620	Screw 3/8-16 x 1-1/4
81	73510400	Nut Keps Hex 1/4-20 unc
112	3645J	Bushing

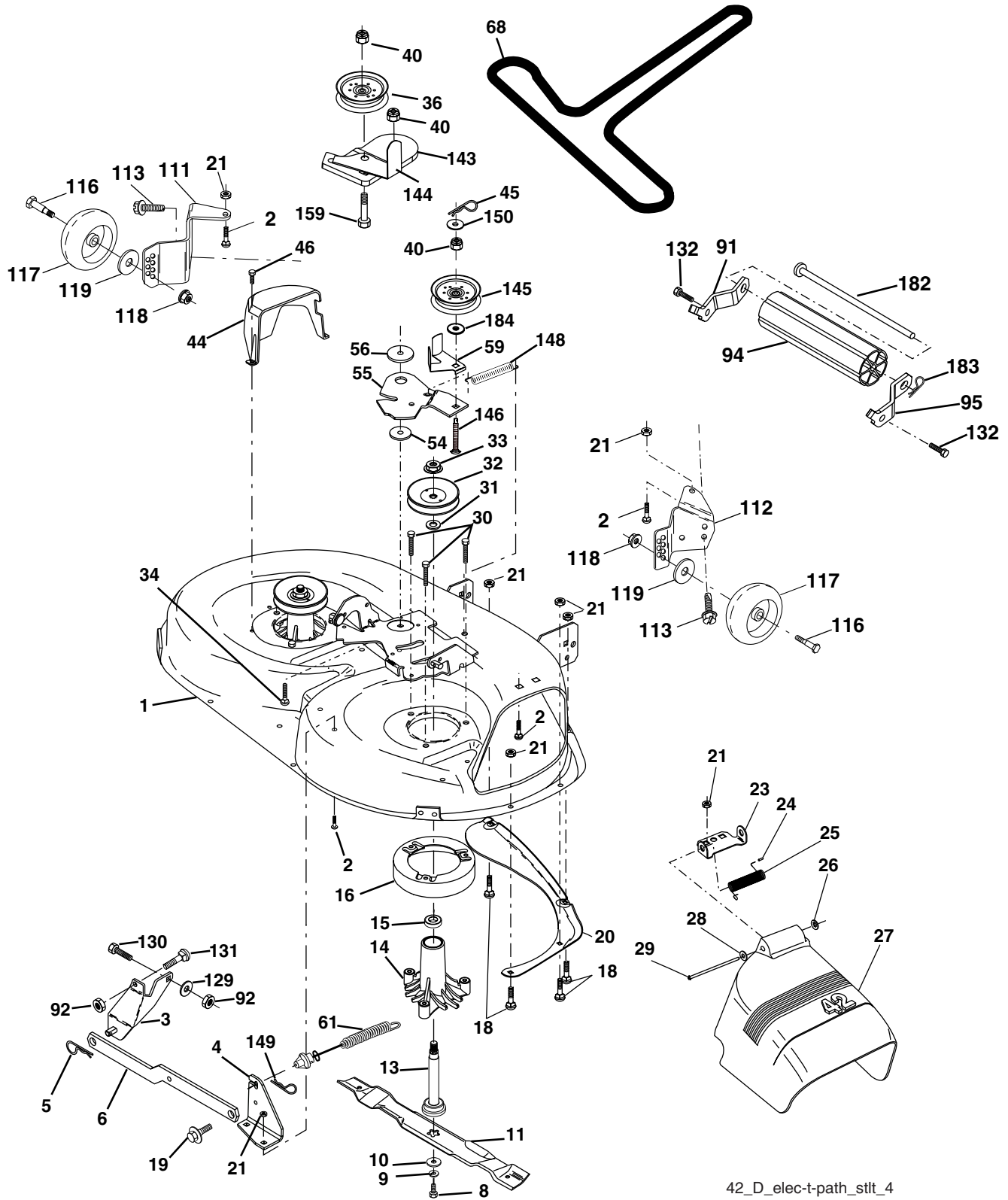
NOTE: All component dimensions given in U.S. inches
1 inch = 25.4 mm

For engine service and replacement parts, call the toll free number for your engine manufacturer listed below:

Briggs & Stratton	1-800-233-3723
Kohler Co.	1-800-544-2444
Tecumseh Products	1-800-558-5402
Honda Engines	1-800-426-7701
Kawasaki	1-949-460-5688

TRACTOR - - MODEL NUMBER DB18542YT (96012002900)

MOWER DECK



42_D_elec-t-path_stlt_4

TRACTOR - - MODEL NUMBER DB18542YT (96012002900)

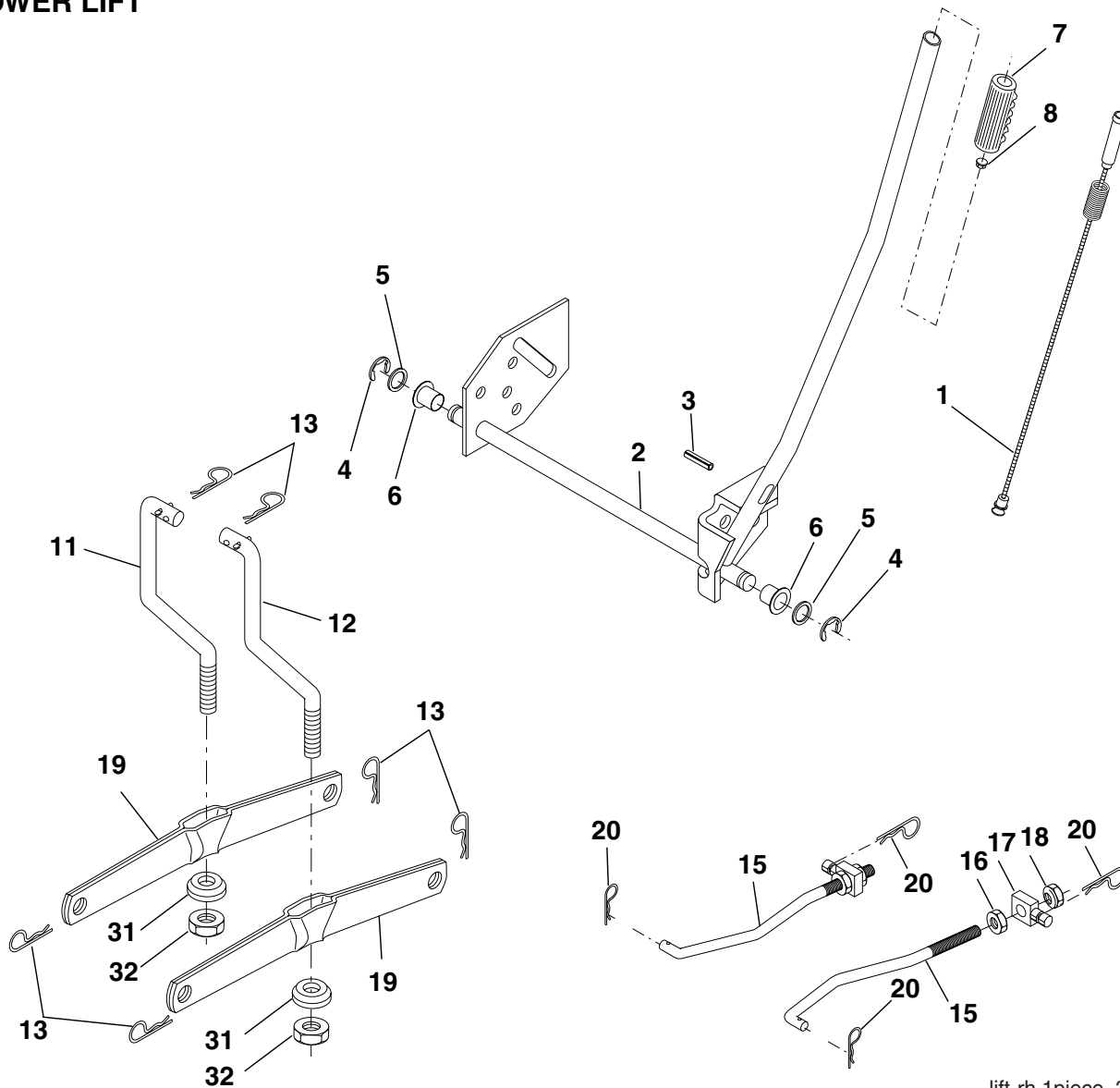
MOWER DECK

KEY NO.	PART NO.	DESCRIPTION	KEY NO.	PART NO.	DESCRIPTION
1	165892X421	Mower Deck Assembly, 42"	55	155046	Arm, Idler
2	72140506	Bolt	56	122052X	Spacer, Retainer
3	138017	Bracket Asm Fr. Sway Bar 3/42	59	141043	Guard TUV Idler
4	165460	Bracket Asm Deck 42" Sway Bar	61	174882	Spring Ext Elect Clutch
5	4939M	Retainer Spring	68	174883	V-Belt, 42" Mower
6	178024	Bar Sway Deck	91	180532	Bracket Roller Nose LH
8	850857	Bolt 3/8-24 x 1.25 Gr. 8 patched	92	73800600	Nut Lock Hex W/Ins 3/8-16 UNC
9	10030600	Washer, Lock	94	132264	Roller Nose
10	140296	Washer, Hardened	95	180533	Bracket Roller Nose RH
		(The following Blades are available)	111	179292	Bracket Wheel Guage LH
11	138971	Blade Mower 42" Hi-Lift (for bagging and discharging)	112	179293	Bracket Wheel Guage RH
--	134149	Blade, Mulching 42" Std (for mulching mowers only)	113	17000510	Screw 5/16-18
--	139775	Blade Mulching 42" Premium (For better wear when mulching)	116	4898H	Bolt, Shoulder
			117	188606	Wheel Gauge
13	137645	Shaft Assembly, Mandrel, Vented	118	73930600	Nut Centerlock 3/8-16
14	128774	Housing, Mandrel, Vented	119	19121414	Washer 3/8 x 7/8 x 14 Ga.
15	110485X	Bearing, Ball, Mandrel	129	19131312	Washer 13/32 x 13/16 x 12 Ga.
16	174493	Stripper, Mandrel Deck	130	74780616	Bolt Fin Hex 3/8-16 UNC x 1 Gr. 5
18	72140505	Bolt, Carriage 5/16-18 x 5/8	131	72140608	Bolt RDHD SQNK 3/8-16 UNC x 1
19	132827	Bolt, Shoulder	132	17000612	Rod Roller Nose
20	159770	Baffle, Vortex	143	157109	Bracket Arm Idler 42"
21	73680500	Nut	144	173441	Keeper Belt 42" Clutch Cable
23	177563	Bracket, Deflector Mower 42"	145	173437	Pulley Idler Flat
24	105304X	Cap, Sleeve 80 x 112 Blk Mower	146	173443	Bolt Carriage Idler
25	123713X	Spring, Torsion, Deflector 2 52	147	131335	Spring Extension
26	110452X	Nut, Push Phos & Oil	148	169022	Spring Return Idler
27	130968X428	Shield, Deflector 42" Blk	149	165898	Retainer Spring Yellow
28	19111016	Washer 11/32 x 5/8 x 16 Ga.	150	19091210	Washer 9/32 x 3/4 x 10 Ga.
29	131491	Rod, Hinge 42" 6 75 W/G	159	72140614	Bolt Rdhd Sqn 3/8-16 unc x 1-3/4
30	173984	Screw Thdrol	182	179126	Rod roller nose
31	187690	Washer, Spacer Mower Vented	183	163552	Retainer Spring
32	173436	Pulley, Mandrel	184	19131410	Washer 13/32 x 7/8 x 10 Ga.
33	178342	Nut, Toplock	--	130794	Mandrel Assembly (Includes Housing Shaft and Shaft Hardware Only - Pulley Not Included)
34	72110612	Bolt Carr SH 3/8-16 x 1-1/2 Gr.5	--	176207	Replacement Mower, Complete (Std. deck Order separately nose roller and gauge wheel components Key Nos. 91, 94, 95, 132, 182 and 116-119)
36	173438	Pulley, Idler, Flat			
40	73900600	Nut Lock 3/8-16			
44	140088	Guard, Mandrel, LH			
45	4497H	Retainer			
46	137729	Screw Thd Roll 1/4-20 x 5/8			
54	178515	Washer, Hardened			

NOTE: All component dimensions given in U.S. inches
1 inch = 25.4 mm

TRACTOR - - MODEL NUMBER DB18542YT (96012002900)

MOWER LIFT



lift-rh.1piece_3

KEY NO.	PART NO.	DESCRIPTION
1	159461	Wire Asm Inner/Sprg W/plunger
2	159476	Shaft Asm Lift RH w/Inf
3	188822	Pin Groove 5/16 Dia x 1.875
4	12000002	E Ring #5133-62
5	19211621	Washer 21/32 x 1 x 21 Ga.
6	120183X	Bearing Nylon Blk 629 Id
7	125631X	Grip Handle
8	170770	Button Plunger
11	139865	Link Lift LH Fixed Length
12	139866	Link Lift RH Fixed Length
13	4939M	Retainer Spring
15	173288	Link Front
16	73350800	Nut Jam Hex 1/2-13 unc
17	175689	Trunnion
18	73800800	Nut Lock W/Wsh 1/2-13 unc
19	139868	Arm Suspension Rear
20	163552	Retainer Spring
31	169865	Bearing Pvt Lift
32	73540600	Nut Crownlock 3/8 - 24

NOTE: All component dimensions given in U.S. inches
1 inch = 25.4 mm