

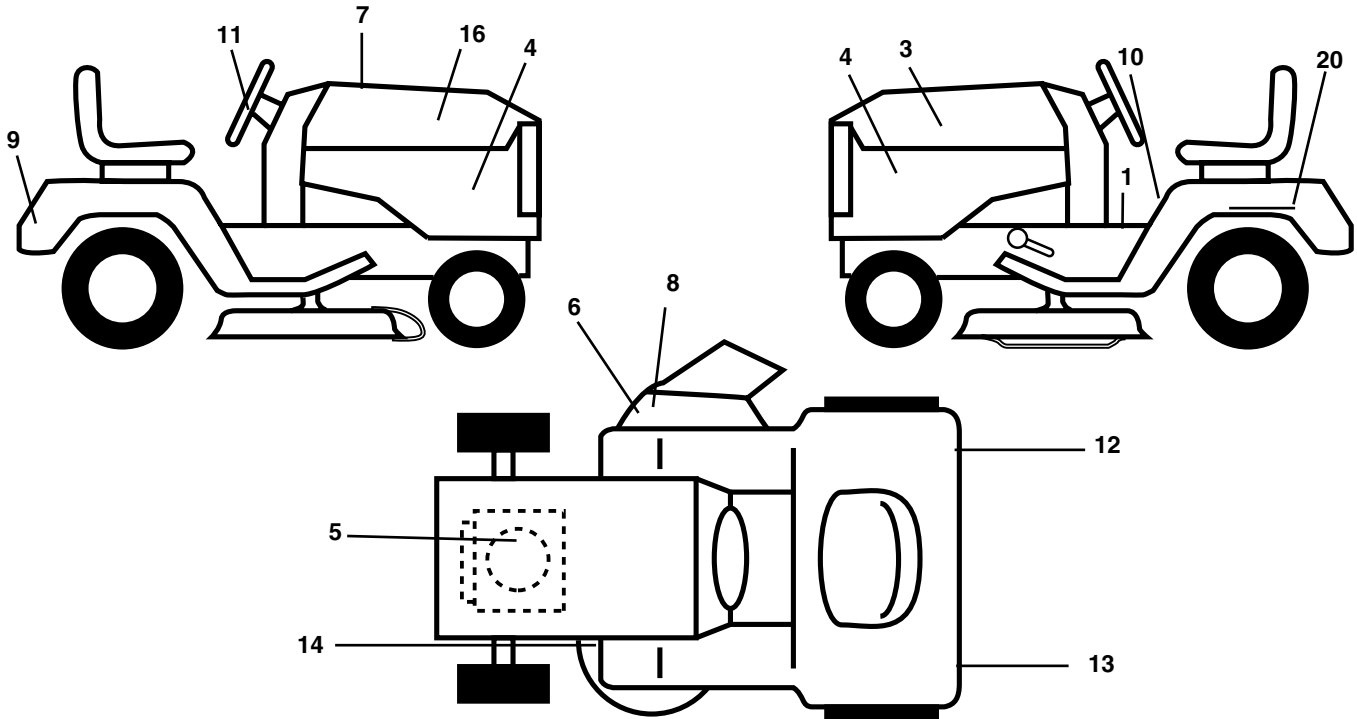
# **ILLUSTRATED PARTS LIST**

**MFG ID NO. 96012002800**

**CUSTOMER CATALOG NO. BB185H42LT**

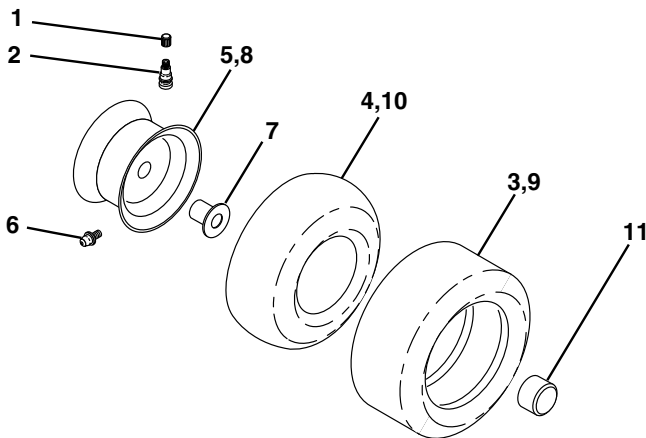
# TRACTOR - - MODEL NUMBER BB185H42LT (96012002800)

## DECALS



KEY NO.	PART NO.	DESCRIPTION	KEY NO.	PART NO.	DESCRIPTION
1	193939	Decal Oper	13	173589	Decal Fend Reflector Lh
3	186164	Decal Hood LH	14	160396	Decal V-Belt Schematic
4	189289	Decal Side Panel Logo	16	186163	Decal Hood Rh
5	189288	Decal HP Engine	20	145005	Decal Bat Dan/Psn
6	170563	Decal Warning, Keep Hand Away	--	179768X428	Pad Footrest LH
7	194982	Decal Replacement Parts	--	179769X428	Pad Footrest RH
8	179128	Decal Deck "B" 42"	--	178392	Decal Chass Disconnect LTH 2000
9	172740	Decal Fender Logo	--	138311	Decal Handle Lft Height Adjust
10	157140	Decal Fender Danger E/F	--	166960	Decal Bypass
11	172743	Decal Ins Strg Whl	--	194992	Manual Operator's E&F
12	173587	Decal Fend Reflector Rh			

## WHEELS AND TIRES

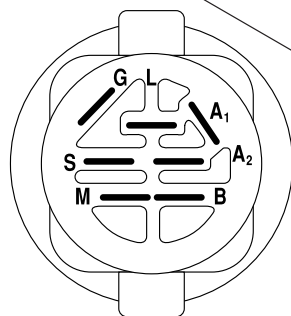
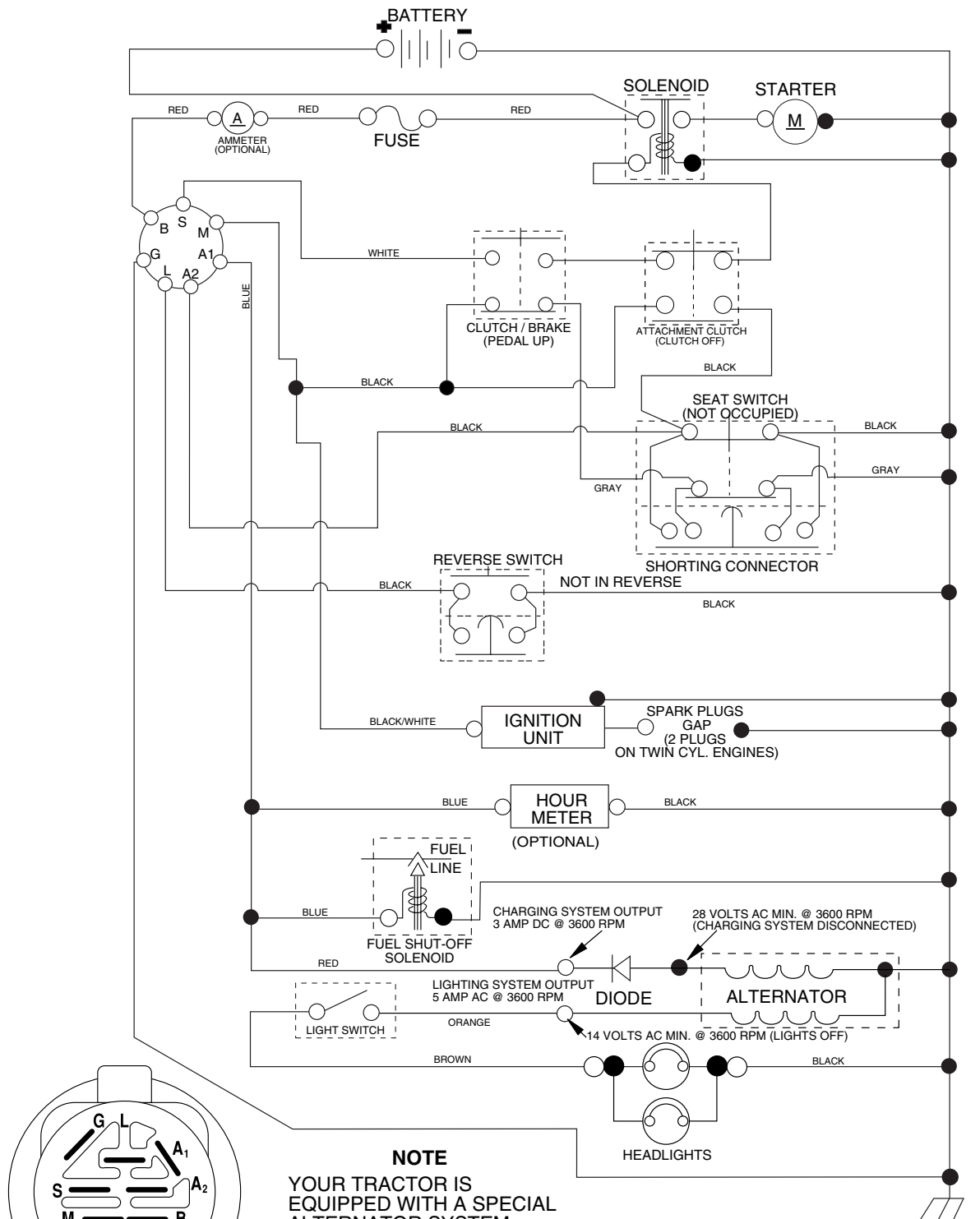


KEY NO.	PART NO.	DESCRIPTION
1	59192	Cap Valve Tire
2	65139	Stem Valve
3	106222X	Tire F T 15 x 6 0 - 6 Service
4	59904	Tube Front (Service Item Only)
5	106732X421	Rim Asm 6" front Service
6	278H	Fitting Grease (Front Wheel Only)
7	9040H	Bearing Flange (Front Wheel nly)
8	106108X421	Rim Asm 8" rear Service
9	122082X	Tire R T 20 x 10-8 Service
10	7152J	Tube Rear (Service Item Only)
11	104757X421	Cap Axle Blk 1 50 x 1 00
--	144334	Sealant, Tire ( 10 oz. Tube)

**NOTE:** All component dimensions given in U.S. inches  
1 inch = 25.4 mm

# TRACTOR - - MODEL NUMBER BB185H42LT (96012002800)

## SCHEMATIC



**IGNITION SWITCH**

POSITION	CIRCUIT	"MAKE"
OFF	M+G+A1	
RUN/OVERRIDE	B+A1	
RUN	B+A1	L+A2
START	B + S + A1	

02836

### NOTE

YOUR TRACTOR IS EQUIPPED WITH A SPECIAL ALTERNATOR SYSTEM. THE LIGHTS ARE NOT CONNECTED TO THE BATTERY, BUT HAVE THEIR OWN ELECTRICAL SOURCE. BECAUSE OF THIS, THE BRIGHTNESS OF THE LIGHTS WILL CHANGE WITH ENGINE SPEED. AT IDLE THE LIGHTS WILL DIM. AS THE ENGINE IS SPEEDED UP, THE LIGHTS WILL BECOME THEIR BRIGHTEST.

●  
NON-REMOVABLE CONNECTIONS

○  
REMOVABLE CONNECTIONS

### WIRING INSULATED CLIPS

**NOTE:** IF WIRING INSULATED CLIPS WERE REMOVED FOR SERVICING OF UNIT, THEY SHOULD BE REPLACED TO PROPERLY SECURE YOUR WIRING.



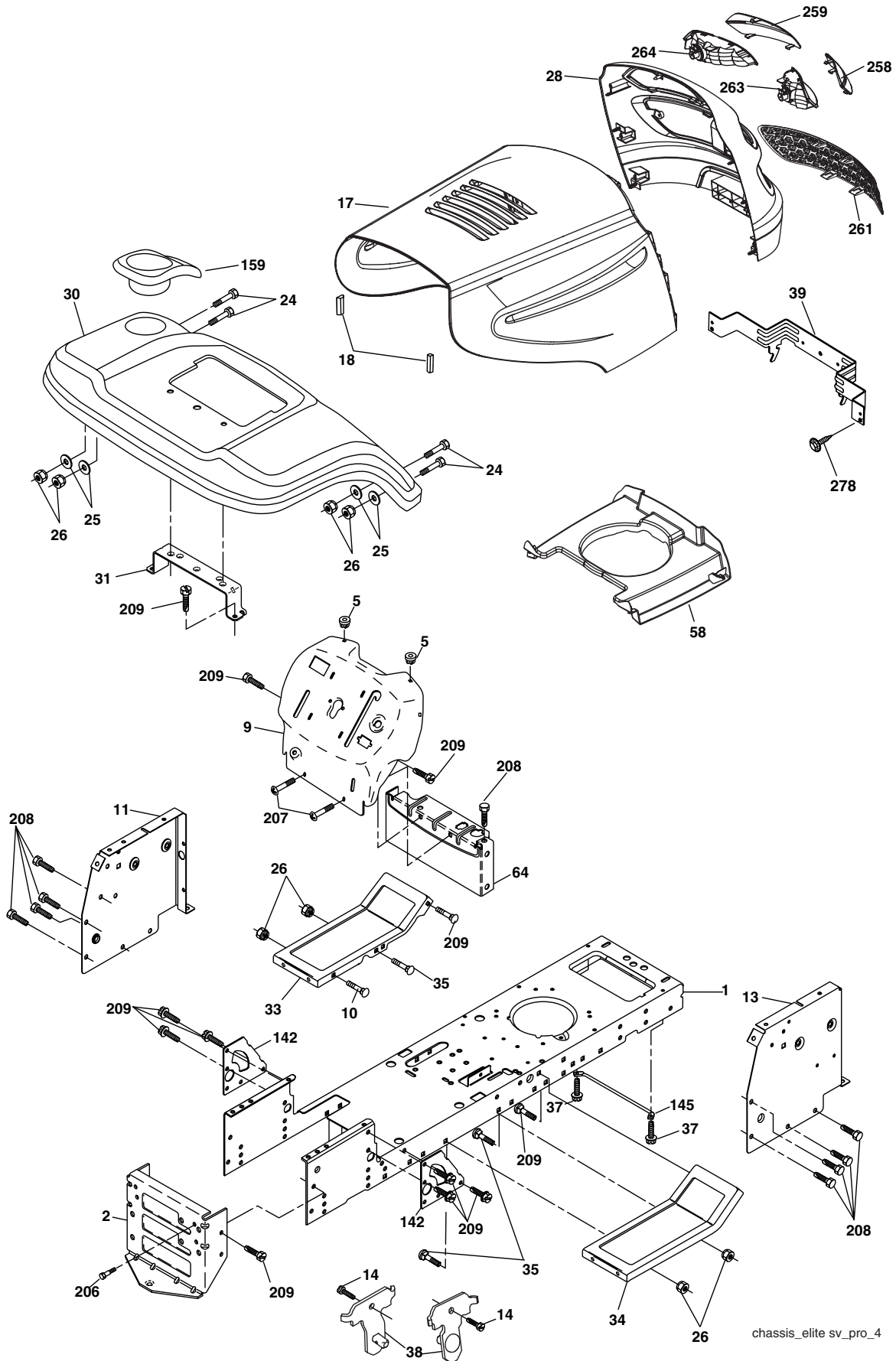
**TRACTOR - - MODEL NUMBER BB185H42LT (96012002800)**  
**ELECTRICAL**

<b>KEY NO.</b>	<b>PART NO.</b>	<b>DESCRIPTION</b>
1	163465	Battery
2	74760412	Bolt Hex Hd 1/4-20 unc x 3/4
8	176689	Box Battery
16	176138	Switch Interlock
21	183759	Harness Socket Light
22	4152J	Bulb, Light # 1156
24	4799J	Cable Battery
25	146147	Cable Battery 6 Ga. Red w/16 wire 44"
26	175158	Fuse
27	73510400	Nut Keps Hex 1/4-20 unc
28	4207J	Cable Ground 12" Blk 6 Ga.
29	192749	Switch Seat
30	193350	Switch Ign
33	140401	Key Ign Molded Generic
34	110712X	Switch Light/Reset
40	193374	Harness Ign
41	71110408	Bolt Fin Hex 1/4-20 unc x 1/2
42	131563	Cover Terminal Red
43	178861	Solenoid
48	140844	Adapter Ammeter
52	141940	Protection Loop
90	180449	Cover Terminal
92	193465	Harness Pigtail Reverse Switch
93	192540	Screw Plastite 10-14 x 2.0
94	191834	Module Reverse ROS

**NOTE:** All component dimensions given in U.S. inches  
1 inch = 25.4 mm

# TRACTOR - - MODEL NUMBER BB185H42LT (96012002800)

## CHASSIS



chassis\_elite sv\_pro\_4

# TRACTOR - - MODEL NUMBER BB185H42LT (96012002800)

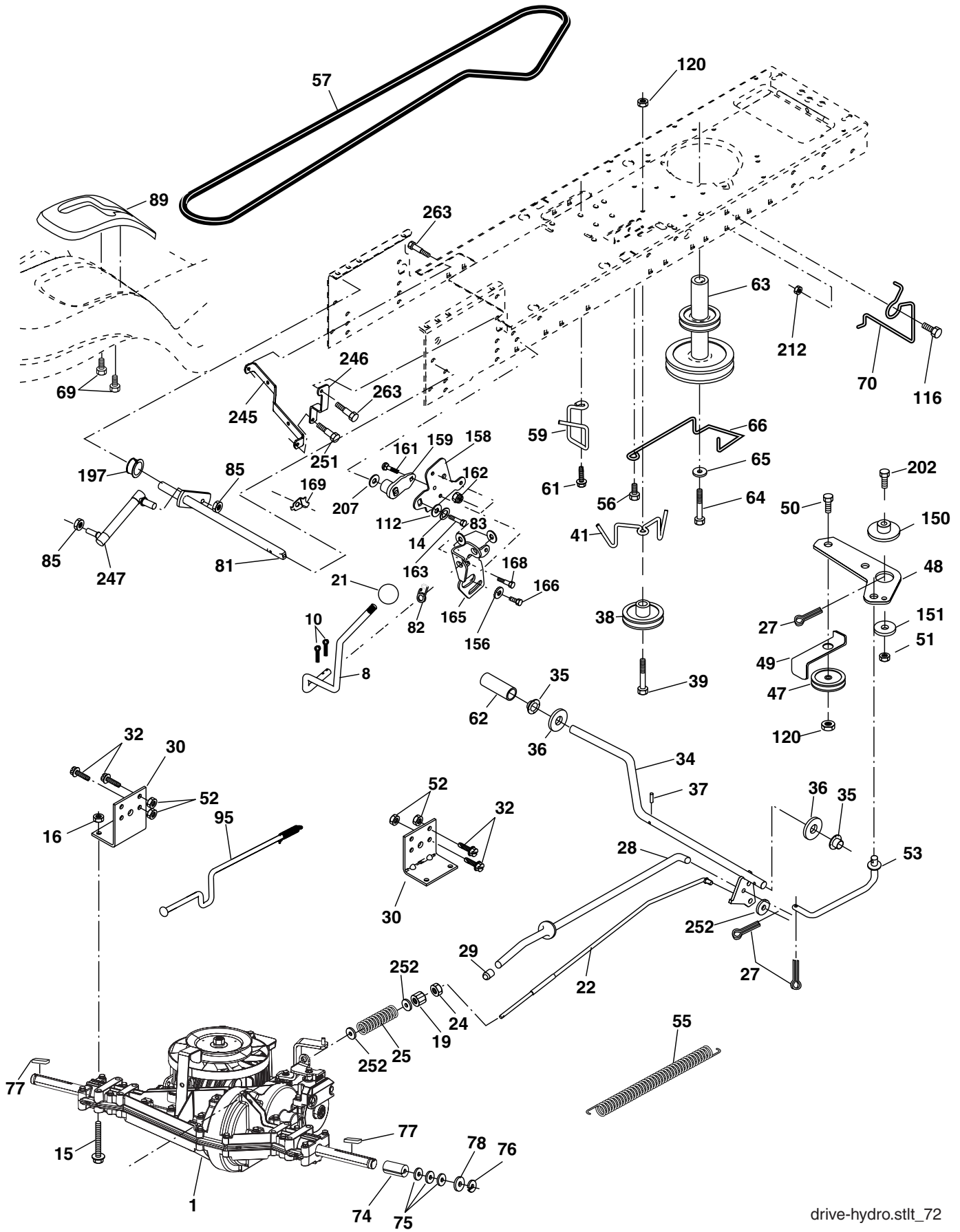
## CHASSIS

KEY NO.	PART NO.	DESCRIPTION
1	174619	Chassis
2	176554	Drawbar
5	155272	Bumper Hood/Dash
9	193510X010	Dash P/L
10	72140608	Bolt Carriage 3/8-16 x 1
11	174996	Panel Dash Lh
13	179174X010	Panel Dash Rh
14	17490608	Screw Thdrol 3/8-16 x 1/2
17	183393X428	Hood
18	184921	Bumper Hood
24	74780616	Bolt Fin Hex 3/8-16 unc x 1 Gr. 5
25	19131312	Washer 13/32 x 13/16 x 12 Ga.
26	73800600	Nut Lock Hex W/Ins 3/8-16 unc
28	183828	Grille/Lens Asm (Includes Nos. 258, 259, 261, 263, 264)
30	192528X428	Fender
31	136619	Bracket Fender
33	179716X428	Footrest LH
34	179717X428	Footrest RH
35	72110606	Bolt RDHD SHT SQNK 3/8-16 x 3/4
37	17490508	Screw Thdrol 6/16-18 x 1/2 TYT
38	175710	Bracket Asm Pivot Mower Rear
39	174714	Bracket Pivot
58	184322	Duct Air
64	154798	Dash Lower STLT
142	175702	Plate Reinforcement STLT
145	156524	Rod Pivot Chassis/Hood
159	169473X428	Cupholder
206	170165	Bolt Shoulder 5/16-18
207	17670508	Screw Thdrol 5/16-18 x 1/2
208	17670608	Screw Thdrol 3/8-16 x 1/2
209	17000612	Screw Hexwsh Thdr 3/8-16 x 3/4
258	183835X599	Lens Grille Pro RH
259	183834X599	Lens Grille Pro LH
261	183829X428	Insert Grille
263	183833	Bezel Grille RH
264	183832	Bezel Grille LH
278	191611	Screw 10 x 3/4 Single Lead Hex
--	5479J	Plug BTN BIK
--	187801	Plug Dome Plastic

**NOTE:** All component dimensions given in U.S. inches  
1 inch = 25.4 mm

# TRACTOR - - MODEL NUMBER BB185H42LT (96012002800)

## DRIVE



drive-hydro.stlt\_72



# TRACTOR - - MODEL NUMBER BB185H42LT (96012002800)

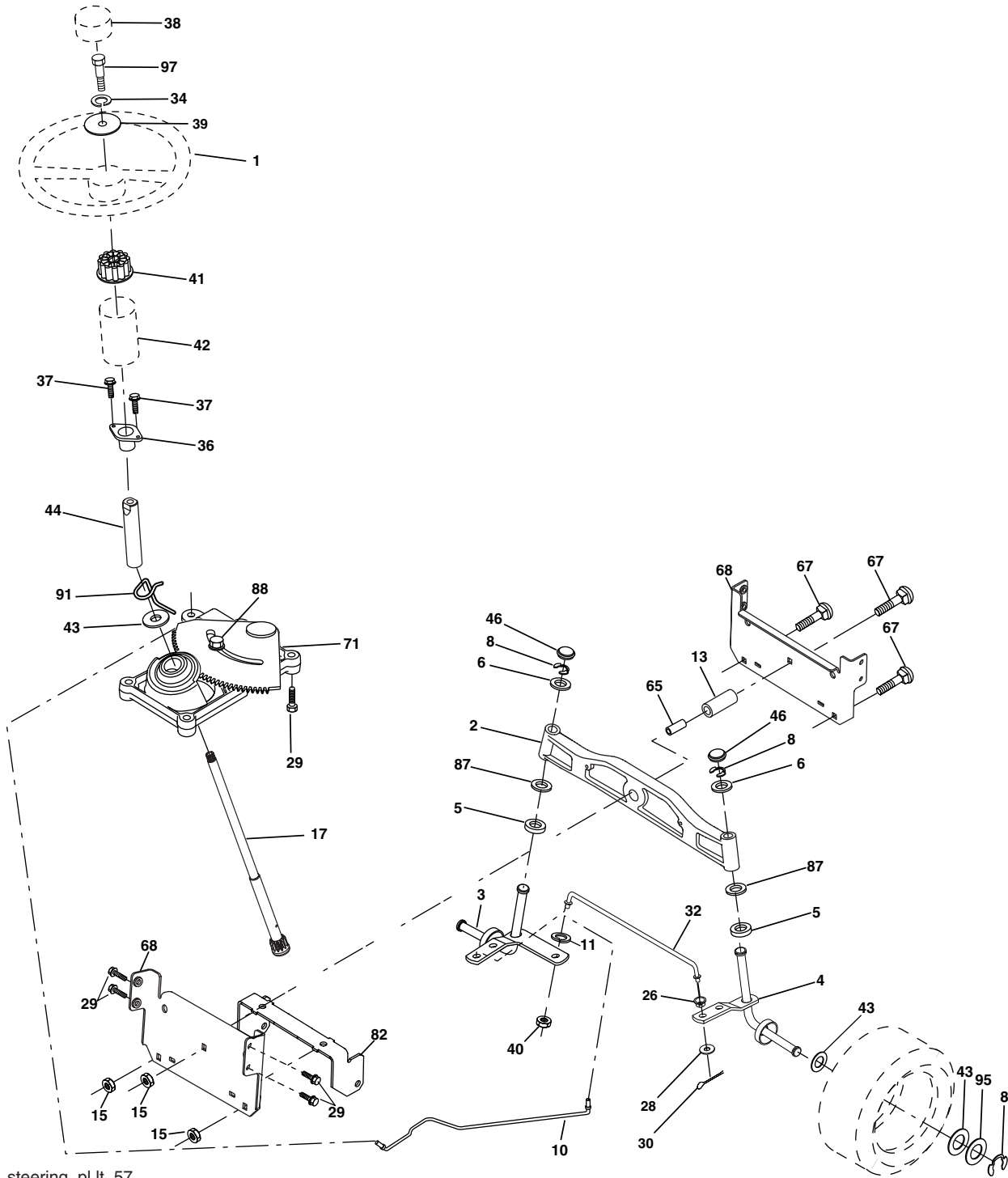
## DRIVE

KEY NO.	PART NO.	DESCRIPTION	KEY NO.	PART NO.	DESCRIPTION
1	-----	Transaxle Peerless LTH 2000 (Order Parts From Transaxle Manufacturer)	69	142432	Screw Hex 1/4 x 1/2 UNC
8	192706	Rod Shift	70	134683	Guide Belt
10	76020416	Pin Cotter 1/8 x 1 CAD	74	137057	Spacer, Axle
14	10040400	Washer Lock Hvy Helical	75	121749X	Washer 25/32 x 1-1/4 x 16 Ga.
15	74490544	Bolt, Hex FLGHD 5/16-18 Gr. 5	76	12000001	E-Ring
16	73800500	Nut Lock Hex W/Ins 5/16-18 unc	77	123583X	Key, Square
19	73800600	Nut Lock Hex W/Wsh 3/8-16 unc	78	121748X	Washer 25/32 x 1-5/8 x 16 Ga.
21	140845	Knob, Round 1/2-13	81	178139	Shaft Asm. Cross Hydro
22	178141	Rod, Brake Hydro	82	165711	Spring Torsion T/A
24	73350600	Nut	83	19171216	Washer 17/32 x 3/4 x 16 Ga.
25	106888X	Spring, Brake Rod	85	150360	Nut Lock Center 1/4-28
27	76020412	Pin Cotter 1/8 x 3/4 CAD.	89	192056X428	Console, Shift
28	175765	Rod, Parking Brake	95	178134	Disconnect Asm. Rod Bypass LTH
29	71673	Cap, Parking Brake	112	19091210	Washer 9/32 x 3/4 x 10 Ga.
30	169592	Bracket, Transaxle	116	72140608	Bolt RDHD SQNK 3/8-16 unc x 1
32	74760512	Bolt Hex Hd 5/16-18 unc x 3/4	120	73900600	Nut Lock Flg 3/8-16 unc
34	175578	Shaft, Foot Pedal	150	175456	Spacer Retainer
35	120183X	Bearing, Nylon	151	19133210	Washer 13/32 x 2 x 10 Ga.
36	19211616	Washer	156	166002	Washer Srrted 5/16 ID x 1.125
37	1572H	Pin, Roll	158	165589	Bracket Shift Mount
38	179114	Pulley, Composite	159	183900	Hub Shift
39	72110622	Bolt Rdhd 3/8-16 unc x 2-3/4 Gr. 5	161	72140406	Bolt Rdhd Sqnk 1/4-20 x 3/4 Gr. 5
41	175556	Keeper, Belt Idler	162	73680400	Nut Crownlock 1/4-20 unc
47	127783	Pulley, Idler, V-Groove	163	74780416	Bolt Hex Fin 1/4-20 unc x 1 Gr. 5
48	154407	Bellcrank Clutch Grnd Drv STL	165	165623	Bracket Pivot Lever
49	123205X	Retainer, Belt	166	17490510	Screw 5/16-18 x 5/8
50	72110612	Bolt Carr Sh 3/8-16 x 1-1/2 Gr. 5	168	165492	Bolt Shoulder 5/16-18 x .561
51	73680600	Nut Crownlock 3/8-16 unc	169	165580	Plate Fastening Lt
52	73680500	Nut Crownlock 5/16-18 unc	197	169613	Nyliner Snap-In 5/8" ID
53	105710X	Link, Clutch	202	72110614	Bolt Carr Sh 3/8-16 x 1-3/4 Gr. 5
55	105709X	Spring, Return, Clutch	207	169593	Washer Nyl 7/8 ID x .105
56	17060620	Screw 3/8-16 x 1-1/4	212	145212	Nut Hex flange Lock
57	178138	V-Belt, Ground Drive	245	178122	Strap Torque LH
59	169691	Keeper, Center Span	246	178121	Strap Torque RH
61	17120614	Screw 3/8-16 x .875	247	181462	Link Shift Transaxle
62	8883R	Cover, Pedal	251	17060516	Screw 5/16-18 x 1
63	175410	Pulley, Engine	252	19131616	Washer 13/32 x 1 x 16 Ga.
64	173937	Bolt Hex 7/16-20 x 4 x Gr. 5-1.5 Thr	263	17000612	Screw Hex Wsh Thdr 3/8-16 x 3/4
65	10040700	Washer			
66	154778	Keeper Belt Engine			

**NOTE:** All component dimensions given in U.S. inches  
1 inch = 25.4 mm

# TRACTOR - - MODEL NUMBER BB185H42LT (96012002800)

## STEERING ASSEMBLY



steering\_pl.lt\_57

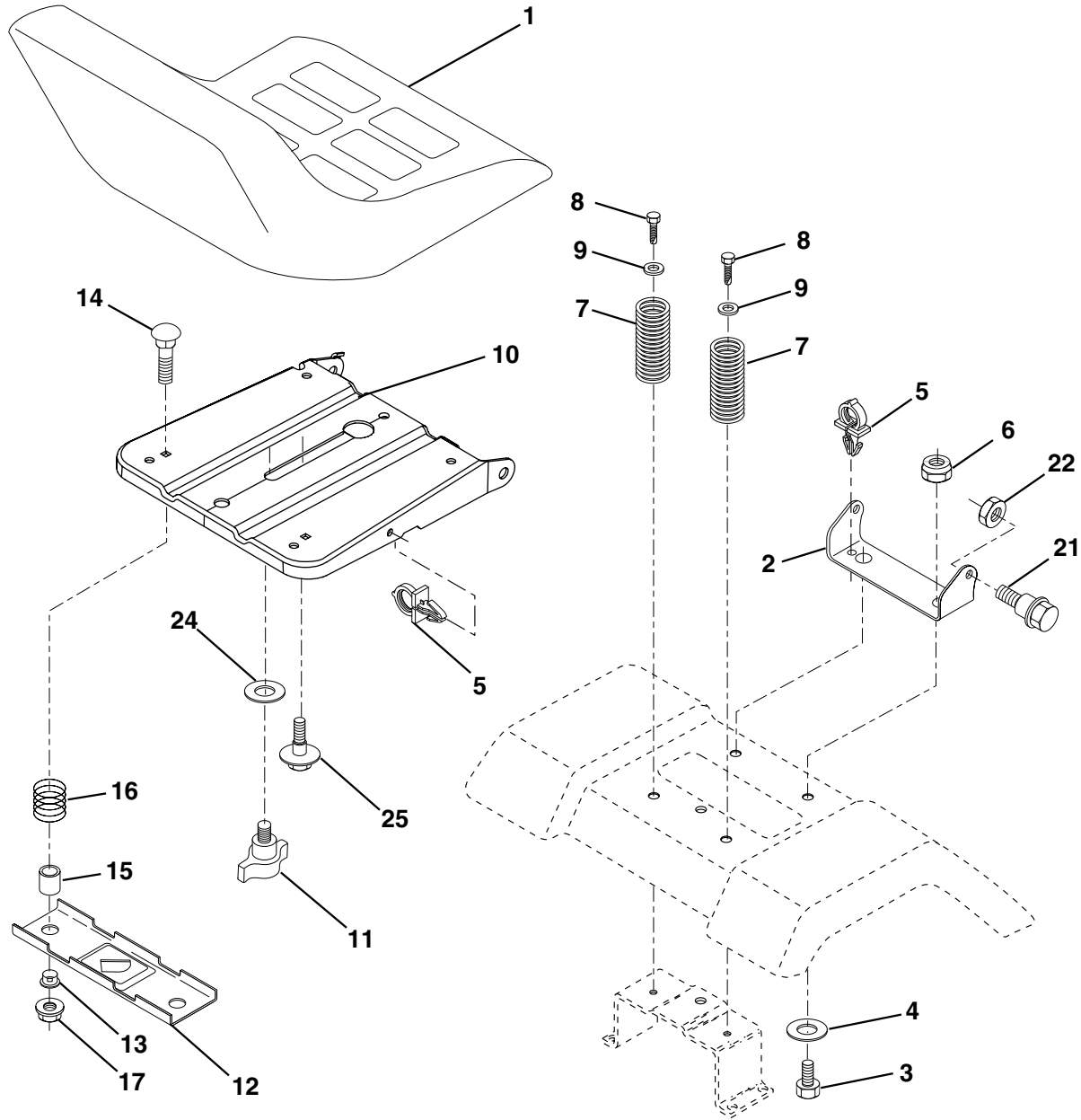
**TRACTOR - - MODEL NUMBER BB185H42LT (96012002800)**  
**STEERING ASSEMBLY**

<b>KEY NO.</b>	<b>PART NO.</b>	<b>DESCRIPTION</b>
1	186093X428	Wheel Steering
2	184706	Axle Asm
3	169840	Spindle Asm LH
4	169839	Spindle Asm RH
5	6266H	Bearing Race Thrust Harden
6	121748X	Washer 25/32 x 1-5/8 x 16 Ga.
8	12000029	Ring Klip #t5304-75
10	175121	Link Drag
11	10040600	Washer Lock Hvy Hlcl Spr 3/8
13	136518	Spacer Brg Axle Front
15	145212	Nut Hex Flange Lock
17	190753	Shaft Asm Steering
26	126847X	Bushing Link Drag
28	19131416	Washer 13/32 x 7/8 x 16 Ga.
29	17000612	Screw 3/8-16 x .75
30	76020412	Pin Cotter 1/8 x 3/4
32	192757	Rod Tie
34	10040500	Washer Lock Hvy Hlcl Spr 5/16
36	155099	Bushing Strg
37	152927	Screw
38	186095X428	Insert Cap Strg Wh
39	19113812	Washer 11/32 ID x 2-3/8 OD 12 Ga.
40	73540600	Crownlock nut
41	186737	Adaptor Wheel Strg
42	145054X428	Boot Steering Dash
43	121749X	Washer 25/32 x 1 1/4 x 16 Ga.
44	190752	Extension Steering Shaft
46	121232X	Cap Spindle Fr Top Blk
65	160367	Spacer Brace Axle
67	72110618	Bolt RDHD SQNK 3/8-16 x 2 1/4
71	175146	Steering Asm
68	169827	Axle, Brace
82	169835	Bracket Susp Chassis Front
87	173966	Washer Flat .781 x 1 1/2 x .14
88	175118	Bolt Shoulder 7/16-20 unc
91	175553	Clip Steering
95	188967	Washer Harden .739 x 1.637 x .060
97	74780564	Bolt 5/16-18 unc x 4" L Gr. 5

**NOTE:** All component dimensions given in U.S. inches  
1 inch = 25.4 mm

# TRACTOR - - MODEL NUMBER BB185H42LT (96012002800)

## SEAT ASSEMBLY



seat\_lt.knob\_13

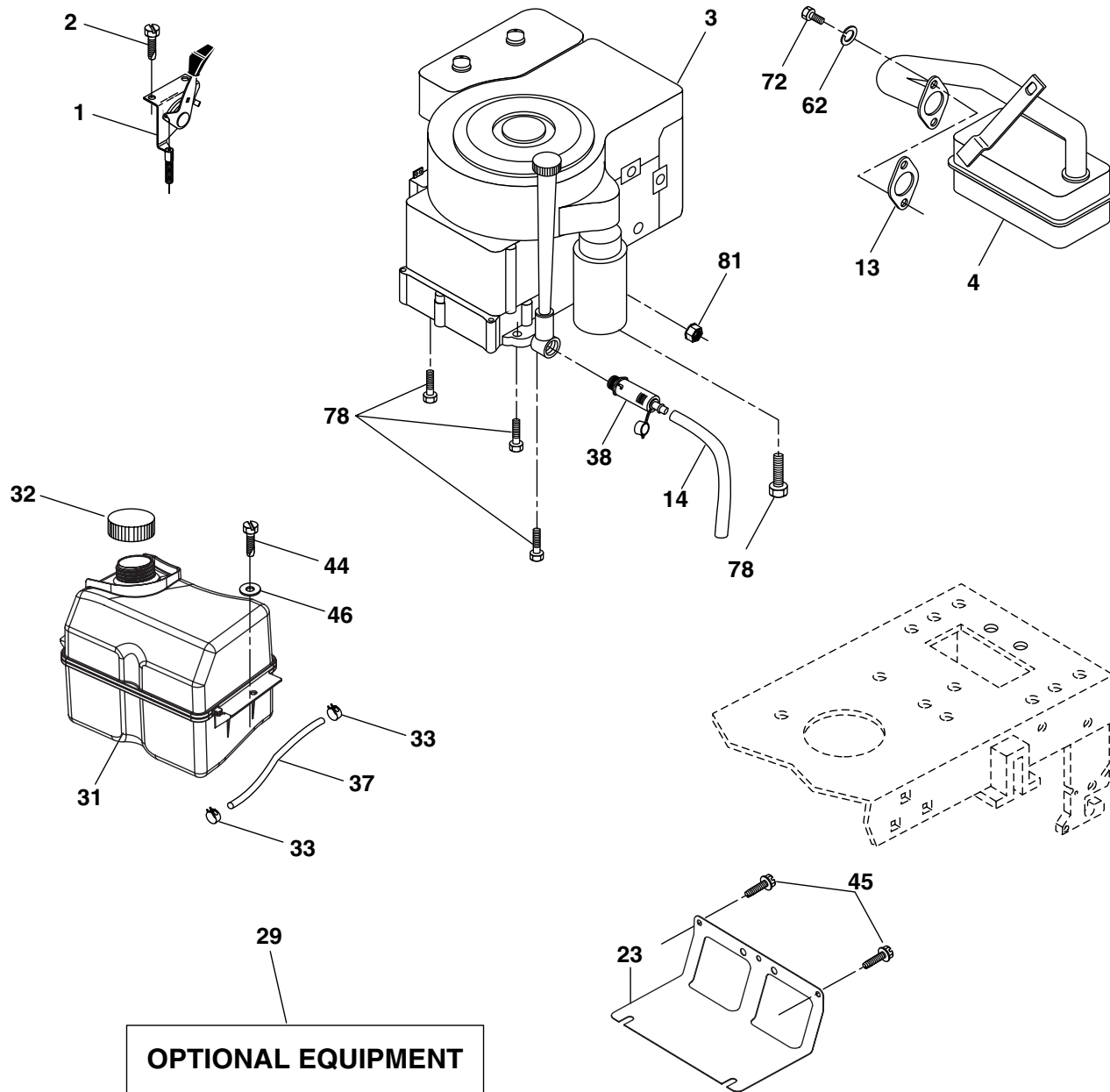
KEY NO.	PART NO.	DESCRIPTION
1	188712	Seat
2	140551	Bracket Pivot Seat 8 720
3	71110616	Bolt Fin Hex 3/8-16 unc x 1
4	19131610	Washer 13/32 x 1 x 10 Ga.
5	145006	Clip Push-In
6	73800600	Nut Hex w/Ins. 3/8-16 unc
7	124181X	Spring Seat Cprsn 2 250 Blk Zi
8	17000616	Screw 3/8-16 x 1.5 Smgml
9	19131614	Washer 13/32 x 1 x 14 Ga.
10	182493	Pan Seat
11	166369	Knob Seat
12	174648	Bracket Mounting Switch

KEY NO.	PART NO.	DESCRIPTION
13	121248X	Bushing Snap Blk Nyl 50 Id
14	72050412	Bolt Rdhd Sqnk 1/4-20 x 1-1/2
15	134300	Spacer Split 28x 88
16	121250X	Spring Cprsn
17	123976X	Nut Lock 1/4 Lge Flg Gr. 5 Zinc
21	171852	Bolt Shoulder 5/16-18 unc
22	73800500	Nut Hex Lock W/Ins 5/16-18
24	19171912	Washer 17/32 x 1-3/16 x 12 Ga.
25	127018X	Bolt Shoulder 5/16-18 x 62

**NOTE:** All component dimensions given in U.S. inches  
1 inch = 25.4 mm

# TRACTOR - - MODEL NUMBER BB185H42LT (96012002800)

## ENGINE



**OPTIONAL EQUIPMENT**  
**Spark Arrester**

engine-bs.1cyl\_48

KEY NO.	PART NO.	DESCRIPTION
1	170551	Control, Throttle
2	17720408	Screw Hex Thd Cut 1/4-20 x 1/2
3	-----	Engine Briggs Model 31P777 (Order Parts from Engine Mfg.)
4	137352	Muffler
13	165291	Muffler Gasket
14	148456	Tube Oil Drain
23	169837	Shield, Browning/Debris Guard
29	137180	Arrester, Spark
31	185534	Tank, Fuel
32	140527	Cap, Fuel
33	123487X	Clamp, Hose Blk
37	137040	Line, Fuel
38	181654	Plug Drain Oil Easy
40	124028X	Bushing Snap
44	17670412	Screw Hex Wsh Thdrol 1/4-20 x 3/4

KEY NO.	PART NO.	DESCRIPTION
45	17000612	Screw Hex Wsh Thdrol 3/8-16 x 3/4
46	19091416	Washer 9/32 x 7/8 x 16 Ga.
62	10010500	Washer Split
72	71070512	Screw Hex Hd Cap 5/16-18 x 3/4
78	17060620	Screw 3/8-16 x 1-1/4
81	73510400	Nut Keps Hex 1/4-20 unc

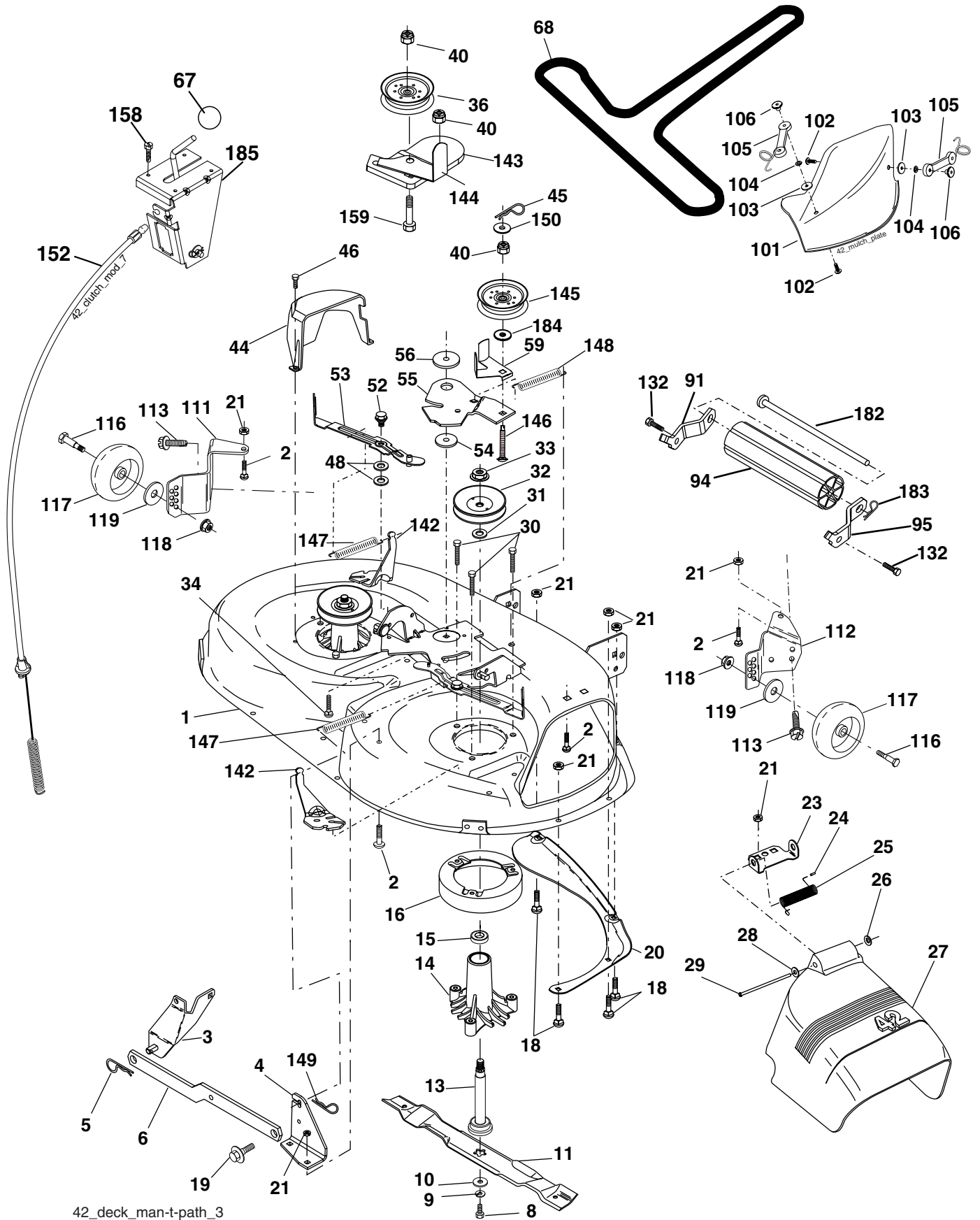
**NOTE:** All component dimensions given in U.S. inches  
1 inch = 25.4 mm

For engine service and replacement parts, call the toll free number for your engine manufacturer listed below:

Briggs & Stratton	1-800-233-3723
Kohler Co.	1-800-544-2444
Tecumseh Products	1-800-558-5402
Honda Engines	1-800-426-7701
Kawasaki	1-949-460-5688

# TRACTOR - - MODEL NUMBER BB185H42LT (96012002800)

## MOWER DECK



42\_deck\_man-t-path\_3

# TRACTOR - - MODEL NUMBER BB185H42LT (96012002800)

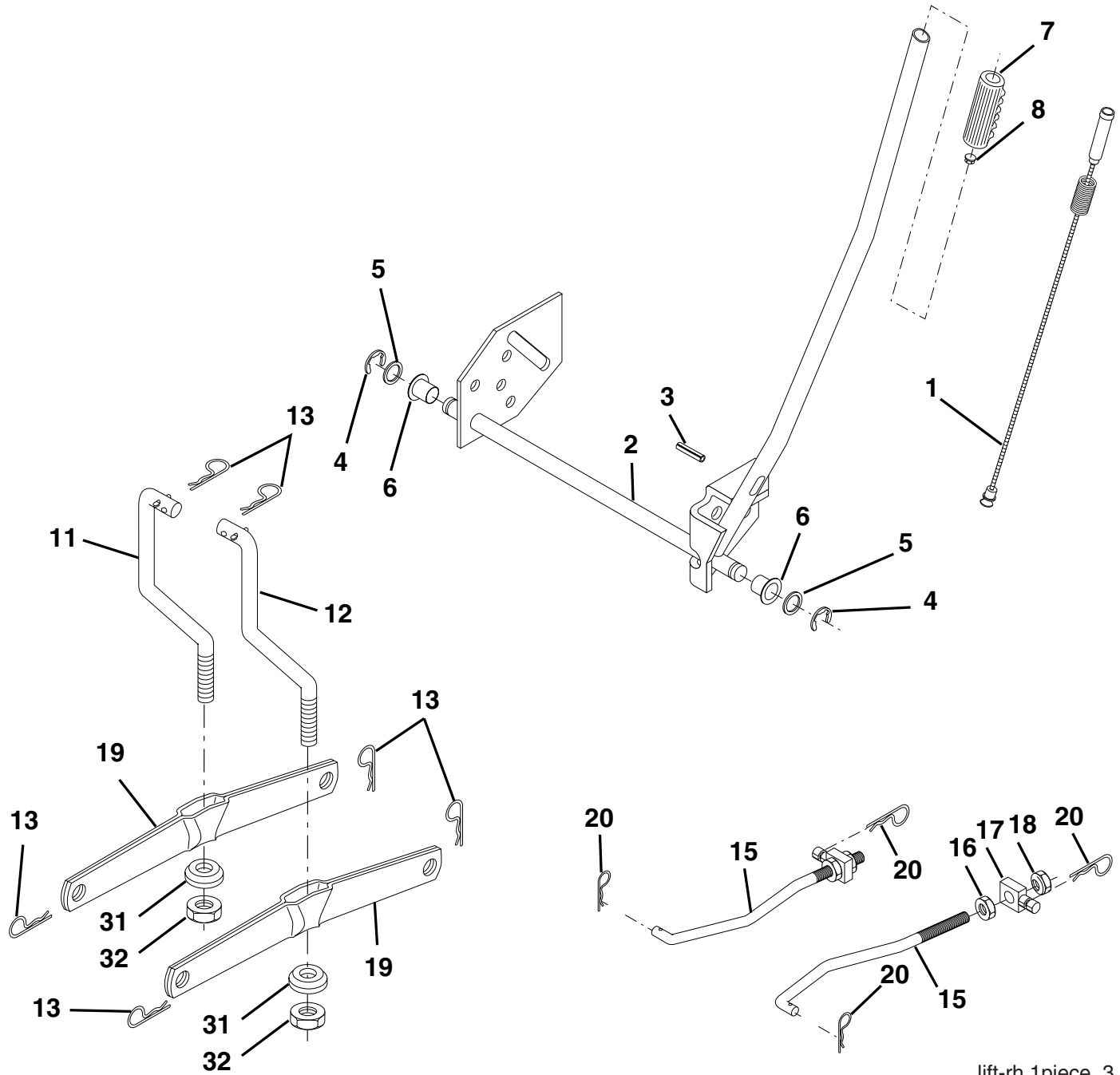
## MOWER DECK

KEY NO.	PART NO.	DESCRIPTION	KEY NO.	PART NO.	DESCRIPTION
1	165892	Mower Deck Assembly, 42"	56	122052X	Spacer, Retainer
2	72140506	Bolt	59	141043	Guard TUV Idler
3	138017	Bracket Asm Fr. Sway Bar 3/42	67	171598	Knob Round
4	165460	Bracket Asm Deck 42" Sway Bar	68	144959	V-Belt, 42" Mower
5	4939M	Retainer Spring	91	180532	Bracket Roller Nose LH
6	178024	Bar Sway Deck	94	132264	Roller Nose
8	850857	Bolt 3/8-24 x 1.25 Gr. 8 patched	95	180533	Bracket Roller Nose RH
9	10030600	Washer, Lock	101	136420	Mulcher Cover
10	140296	Washer, Hardened	102	71081010	Screw, Pan Hd Phillip 10-24 x 5/8
		(The following Blades are available)	103	19061216	Washer, Flat
11	138971	Blade Mower 42" Hi-Lift	104	10071000	Washer, Lock
		(for bagging and discharging)	105	160793	Latch Assembly
--	134149	Blade, Mulching 42" Std	106	2029J	Nut, Weld
		(for mulching mowers only)	111	179292X421	Bracket Asm. Whl Ga. LH
--	139775	Blade Mulching 42" Premium	112	179293X421	Bracket Asm Whl Ga. RH
		(For better wear when mulching)	113	17000510	Screw 5/16-18
13	137645	Shaft Assembly, Mandrel, Vented	116	4898H	Bolt, Shoulder
14	128774	Housing, Mandrel, Vented	117	188606	Wheel, Gauge
15	110485X	Bearing, Ball, Mandrel	118	73930600	Nut Centerlock 3/8-16
16	174493	Stripper, Mandrel Deck	119	19121414	Washer 3/8 x 7/8 x 14 Ga.
18	72140505	Bolt, Carriage 5/16-18 x 5/8	132	17000612	Screw 3/8-16 x 3/4
19	132827	Bolt, Shoulder	136	155986	Bar Adjusting Gauge Wheel
20	159770	Baffle, Vortex	142	165890	Arm Spring Brake Mower
21	73680500	Nut	143	157109	Bracket Arm Idler 42"
23	177563	Bracket, Deflector Mower 42"	144	173441	Keeper Belt 42" Clutch Cable
24	105304X	Cap, Sleeve 80 x 112 Blk Mower	145	173437	Pulley Idler Flat
25	123713X	Spring, Torsion, Deflector 2 52	146	173443	Bolt Carriage Idler
26	110452X	Nut, Push Phos & Oil	147	131335	Spring Extension
27	130968X428	Shield, Deflector 42" Blk	148	169022	Spring Return Idler
28	19111016	Washer 11/32 x 5/8 x 16 Ga.	149	165898	Retainer Spring Yellow
29	131491	Rod, Hinge 42" 6 75 W/G	150	19091210	Washer 9/32 x 3/4 x 10 Ga.
30	173984	Screw Thdrol	152	169676	Clutch Cable 42"
31	187690	Washer, Spacer Mower Vented	158	17720408	Screw Hex Thd Cut 1/4-20 x 1/2
32	173436	Pulley, Mandrel	159	72140614	Bolt Rdhd Sqn 3/8-16 unc x 1-3/4
33	178342	Nut, Toplock	182	179126	Rod Roller Nose
34	72110612	Bolt Carr SH 3/8-16 x 1-1/2 Gr.5	183	163552	Retainer Spring
36	173438	Pulley, Idler, Flat	184	19131410	Washer 13/32 x 7/8 x 10 Ga.
40	73900600	Nut Lock 3/8-16	185	188234	Head Asm Cable Clutch
44	140088	Guard, Mandrel, LH	--	130794	Mandrel Assembly (Includes Housing Shaft and Shaft Hardware Only - Pulley Not Included)
45	4497H	Retainer			
46	137729	Screw, Thdrol 1/4-20 x 5/8 T	--	172559	Replacement Mower, Complete (Std. deck-Order seperately mulcher cover, nose roller and gauge wheel componants Key Nos. 101-106, 91, 94, 95, 132, 182, 183 and 116-119)
48	133944	Washer, Hardened			
52	139888	Bolt, Shoulder 5/16-18 unc			
53	184907	Arm Assembly, Pad, Brake			
54	178515	Washer, Hardened			
55	155046	Arm, Idler			

**NOTE:** All component dimensions given in U.S. inches  
1 inch = 25.4 mm

# TRACTOR - - MODEL NUMBER BB185H42LT (96012002800)

## MOWER LIFT



lift-rh.1piece\_3

KEY NO.	PART NO.	DESCRIPTION
1	159461	Wire Asm Inner/Sprg W/plunger
2	159476	Shaft Asm Lift RH w/Inf
3	188822	Pin Groove 5/16 Dia x 1.875
4	12000002	E Ring #5133-62
5	19211621	Washer 21/32 x 1 x 21 Ga.
6	120183X	Bearing Nylon Blk 629 Id
7	125631X	Grip Handle
8	124526X	Button Plunger
11	139865	Link Lift LH Fixed Length
12	139866	Link Lift RH Fixed Length
13	4939M	Retainer Spring

KEY NO.	PART NO.	DESCRIPTION
15	173288	Link Front
16	73350800	Nut Jam Hex 1/2-13 unc
17	175689	Trunnion
18	73800800	Nut Lock W/Wsh 1/2-13 unc
19	139868	Arm Suspension Rear
20	163552	Retainer Spring
31	169865	Bearing Pvt Lift
32	73540600	Nut Crownlock 3/8 - 24

**NOTE:** All component dimensions given in U.S. inches  
1 inch = 25.4 mm