

ILLUSTRATED PARTS LIST

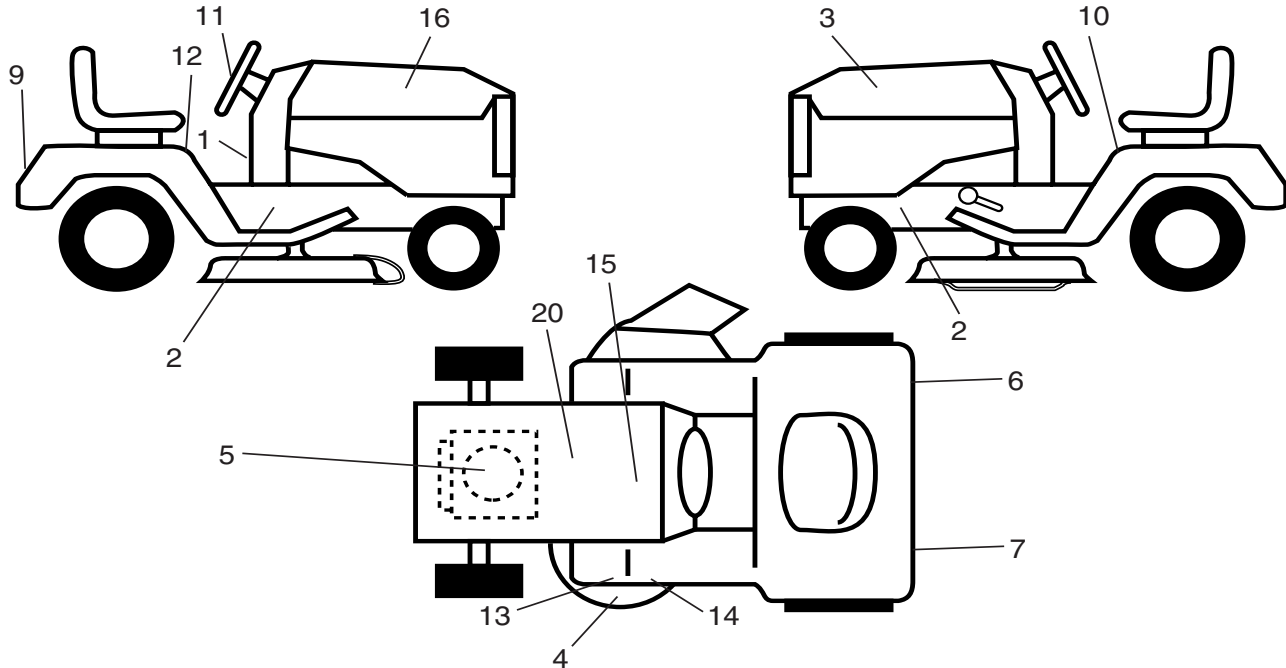
MFG. ID NO. 96012002500

CUSTOMER CATALOG NO. SP24H48YT

REPAIR PARTS

TRACTOR-MODEL NO. SP24H48YT (96012002500)

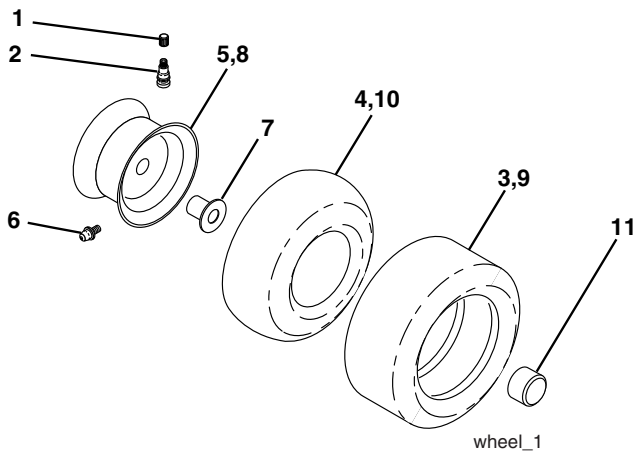
DECALS



KEY NO.	PART NO.	DESCRIPTION
1	194641	Decal Dash
2	195425	Decal Chassis 24/48 Statesman
3	190426	Decal Hood LH
4	178482	Decal Deck Hvydty
5	191652	Decal HP Engine
6	173587	Decal Reflector Rh
7	173589	Decal Reflector Lh
9	190429	Decal Fender Logo
10	157141	Decal Fender Danger
11	190430	Decal Ins Strg Whl
12	193307	Decal Fender Oper Cruise

KEY NO.	PART NO.	DESCRIPTION
13	178455	Decal Deck Caution
14	175291	Decal V-Belt Schematic
15	194985	Decal Replace
16	190425	Decal Hood Rh
20	145005	Decal Bat Dan/Psn
--	166960	Decal By Pass
--	184310X428	Pad Footrest Lh
--	184311X428	Pad Footrest Rh
--	195478	Manual Operator's (E & S)
--	195479	Manual Parts

WHEELS & TIRES



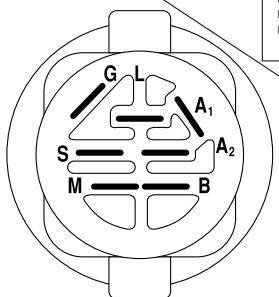
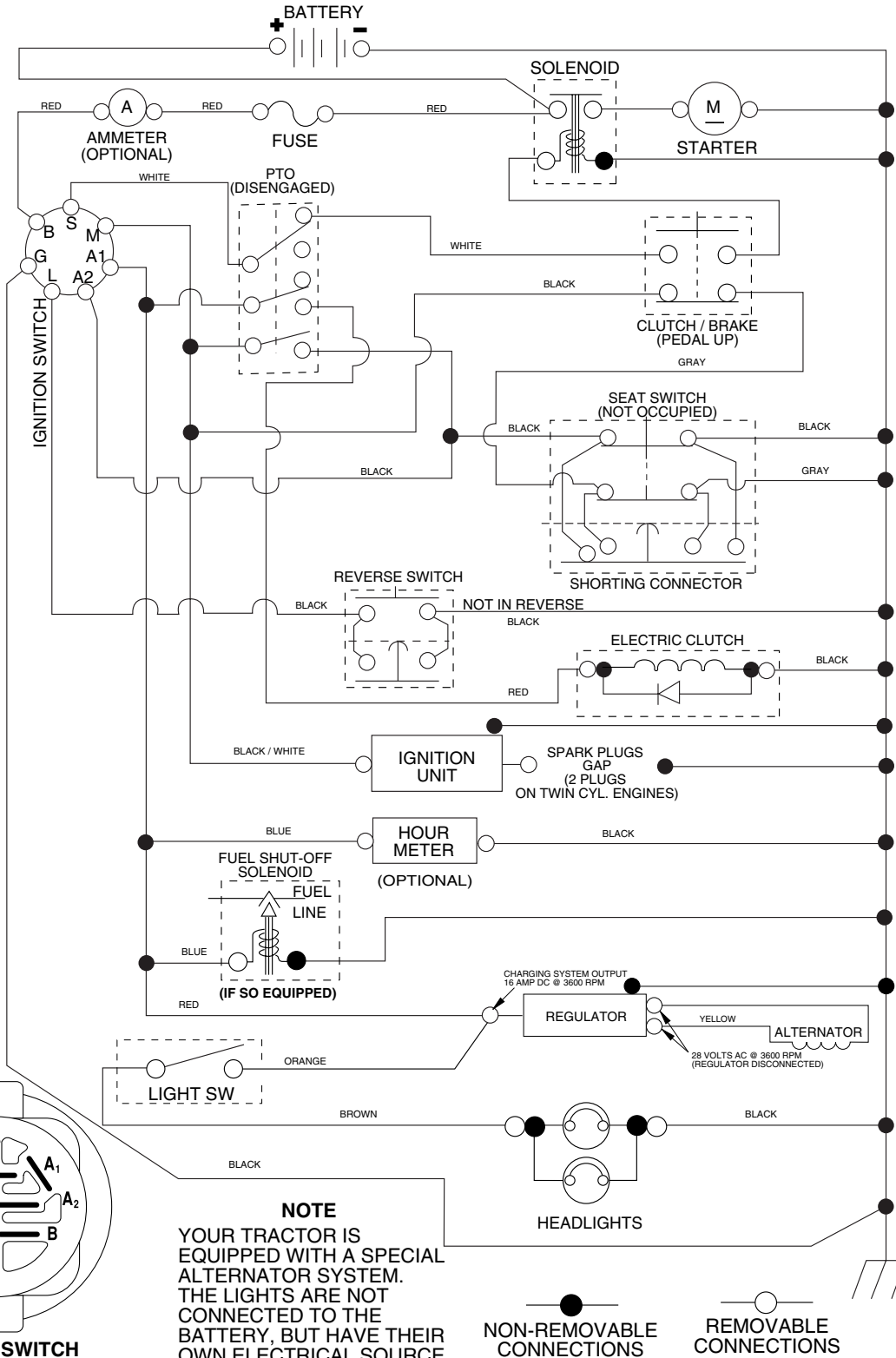
KEY NO.	PART NO.	DESCRIPTION
1	59192	Cap Valve Tire
2	65139	Stem Valve
3	106222X	Tire F T 15 x 6 0 - 6 Service
4	59904	Tube Front (Service Item Only)
5	106732X624	Rim Asm 6" front Service
6	278H	Fitting Grease (Front Wheel Only)
7	9040H	Bearing Flange (Front Wheel Only)
8	106108X624	Rim Asm 8" rear Service
9	138468	Tire R T 20 x 8-8 C Service
10	7152J	Tube Rear (Service Item Only)
11	104757X428	Cap Axle 1 50 x 1 00
--	144334	Sealant, Tire (10 oz. Tube)

NOTE: All component dimensions given in U.S. inches.
1 inch = 25.4 mm.

TRACTOR-MODEL NO. SP24H48YT (96012002500)

SCHEMATIC

02833_193376 / 387 / 388 / 389 / 391 / 392



IGNITION SWITCH

POSITION	CIRCUIT	"MAKE"
OFF	M+G+A1	
RUN/OVERRIDE	B+A1	
RUN	B+A1	L+A2
START	B + S + A1	

02833

NOTE
 YOUR TRACTOR IS EQUIPPED WITH A SPECIAL ALTERNATOR SYSTEM. THE LIGHTS ARE NOT CONNECTED TO THE BATTERY, BUT HAVE THEIR OWN ELECTRICAL SOURCE. BECAUSE OF THIS, THE BRIGHTNESS OF THE LIGHTS WILL CHANGE WITH ENGINE SPEED. AT IDLE THE LIGHTS WILL DIM. AS THE ENGINE IS SPEEDED UP, THE LIGHTS WILL BECOME THEIR BRIGHTEST.

NON-REMOVABLE CONNECTIONS

REMOVABLE CONNECTIONS

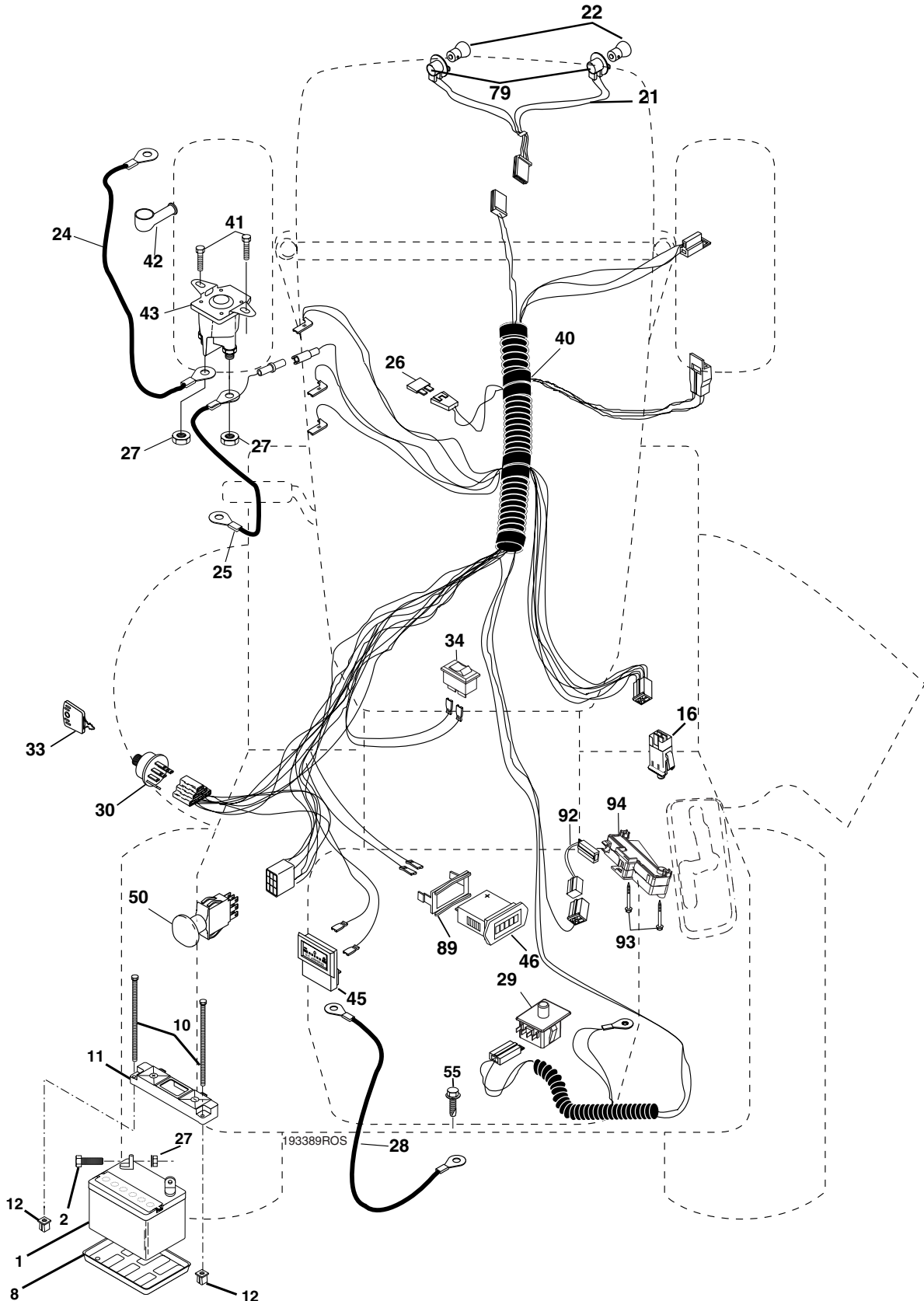
WIRING INSULATED CLIPS

NOTE: IF WIRING INSULATED CLIPS WERE REMOVED FOR SERVICING OF UNIT, THEY SHOULD BE REPLACED TO PROPERLY SECURE YOUR WIRING.

REPAIR PARTS

TRACTOR-MODEL NO. SP24H48YT (96012002500)

ELECTRICAL



REPAIR PARTS

TRACTOR-MODEL NO. SP24H48YT (96012002500)

ELECTRICAL

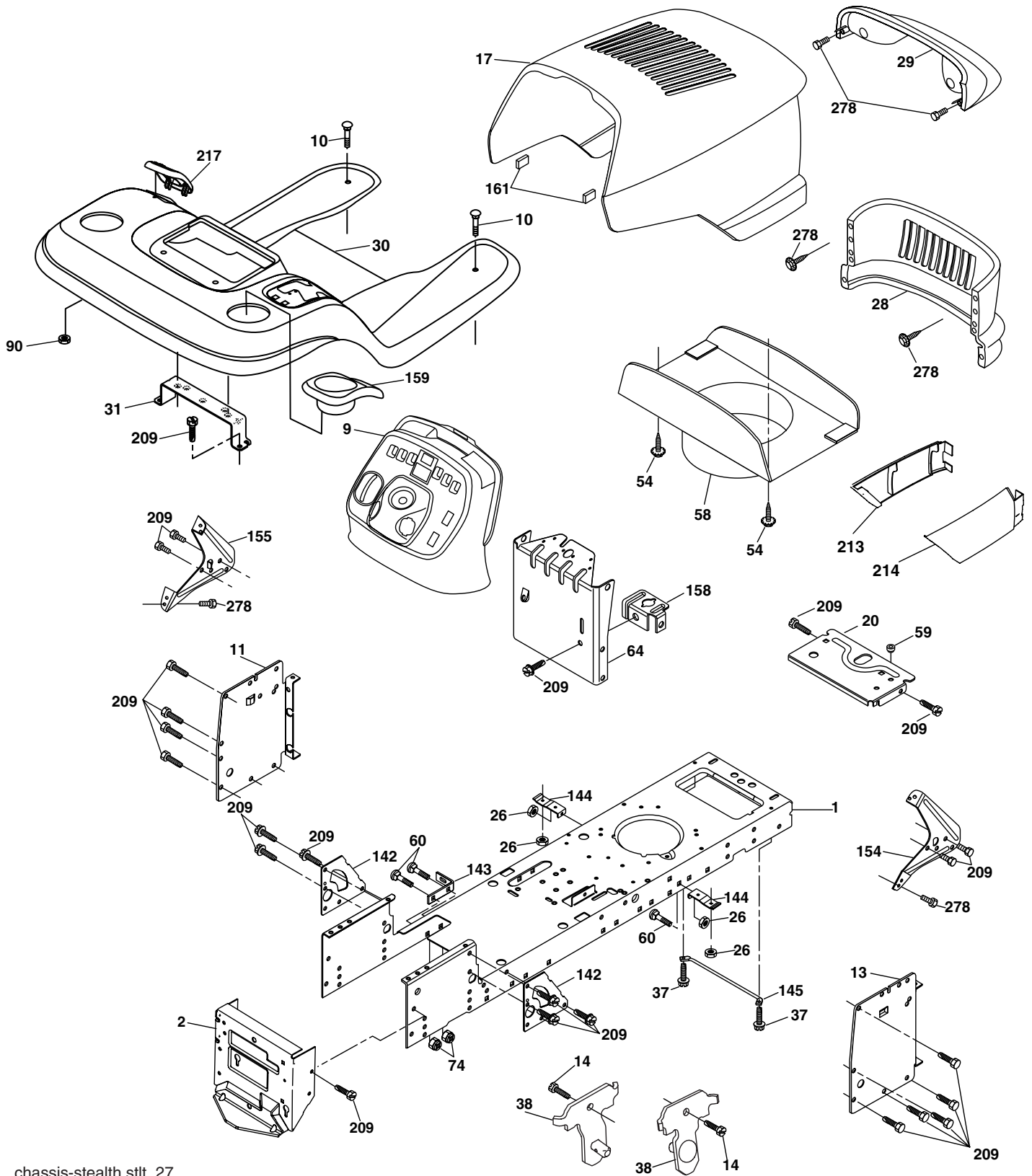
KEY NO.	PART NO.	DESCRIPTION
1	144927	Battery
2	74760412	Bolt Hex Hd 1/4-20 unc x 3/4
8	7603J	Tray, Battery
10	145211	Bolt, BTR FRT 1/4-20 x 7.5
11	150109	Hold Down Battery, Front
12	145769	Nut, Push, Nylon
16	176138	Switch Interlock Push-In
21	175688	Harness Asm Light W/Bulbs
22	4152J	Bulb Light
24	8860R	Cable Battery
25	146148	Cable Battery wire
26	175158	Fuse
27	73510400	Nut Keps Hex 1/4-20 unc
28	145491	Cable Ground
29	192749	Switch Seat
30	193350	Switch Ign
33	140401	Key Ign
34	110712X	Light Switch
40	193389	Harness Ign.
41	17720408	Bolt Blk Fin Hex 1/4-20 x 1/2
42	131563	Cover Terminal Red
43	178861	Solenoid
46	169635	Hourmeter Snap-In
48	140844	Ammeter Adaptor
50	174651	Switch, PTO
55	17490508	Screw Thdrol 5/16-18 x 1/2
79	175242	Bulbholder
89	169639	Bracket Snap-In Hourmeter
92	193465	Harness Pigtail Reverse Switch
93	192540	Screw Plastite 10-14 x 2.0
94	191834	Module Reverse ROS

NOTE: All component dimensions given in U.S. inches.
1 inch = 25.4 mm.

REPAIR PARTS

TRACTOR-MODEL NO. SP24H48YT (96012002500)

CHASSIS AND ENCLOSURES



chassis-stealth.stlt_27

REPAIR PARTS

TRACTOR-MODEL NO. SP24H48YT (96012002500)

CHASSIS AND ENCLOSURES

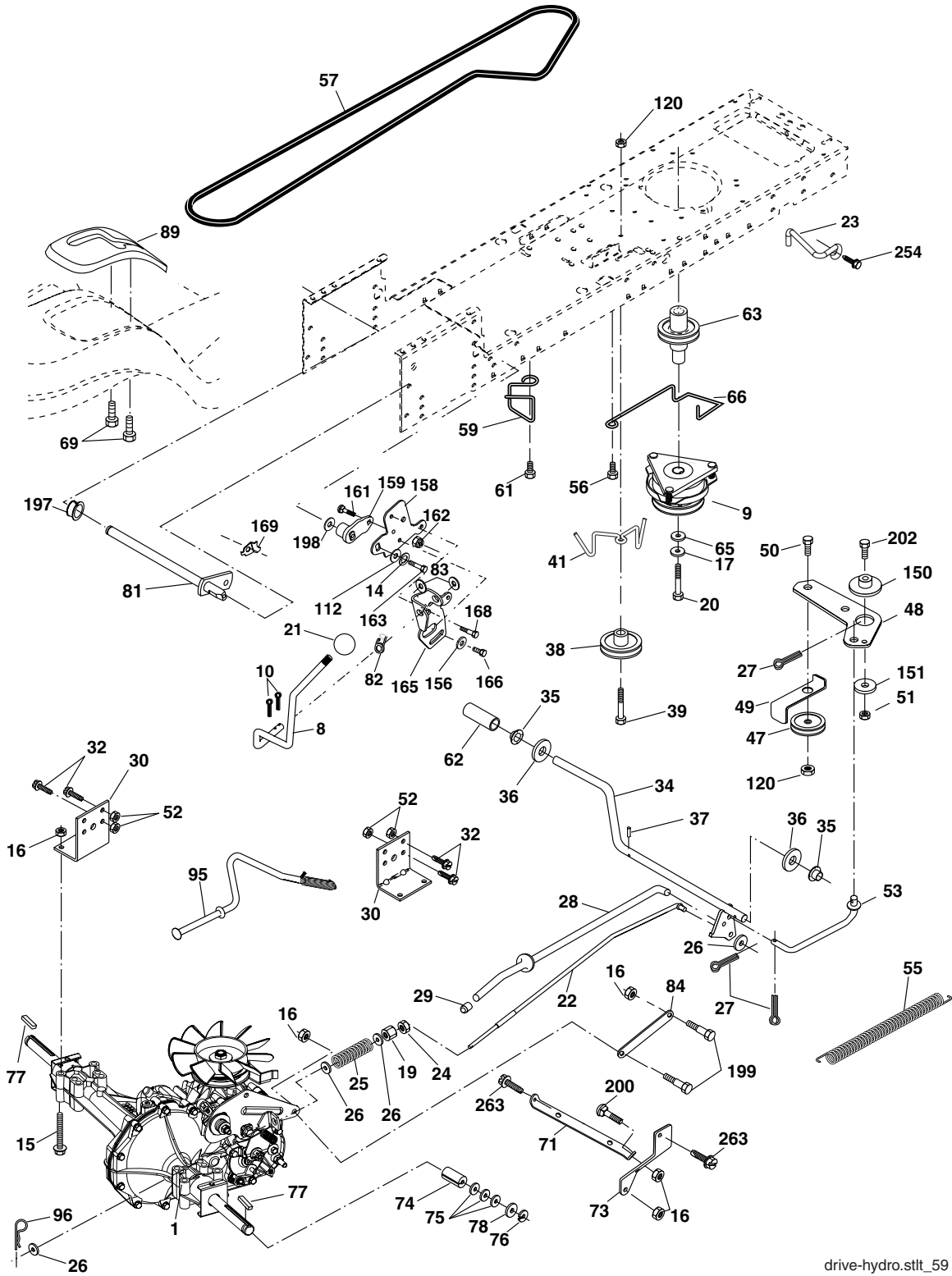
KEY NO.	PART NO.	DESCRIPTION
1	174619	Chassis
2	176554	Drawbar
9	193636X428	Dash
10	72140608	Bolt 3/8-16 x 1
11	167203	Panel Dash Lh
13	178298	Panel Dash Rh
14	17490608	Screw Thdrol 3/8-16 x 1/2
17	175260X428	Hood
20	162026	Plate Battery
26	73800600	Nut Lock Hex W/Ins 3/8-16 unc
28	175289X505	Grille
29	179761	Light Asm. Bar
30	192395X505	Fender
31	139976	Bracket Fender
37	17490508	Screw Thdrol 6/16-18 x 1/2 TYT
38	175710	Bracket, Asm. Pivot Mower Rear
54	192512	Screw Hex Wshd 10-32 x 5/8
58	175351	Duct Hood
59	187495	Bushing Snap
60	72140606	Bolt RdHd Sqnk 3/8-16 unc x 3/4
64	174997	Dash Lower
74	73680600	Nut Crownlock 3/8-16 unc
90	124346X	Nut Self-Thd Wsh-Hd 1/4 Zinc
142	175702	Plate Reinforcement STLT
143	186689	Bracket Swaybar Chassis
144	175582	Bracket Footrest
145	156524	Rod Pivot Chassis/Hood
154	161897	Bracket Dash Rh
155	161900	Bracket Dash Lh
158	162037	Bracket Parking Brake
159	191120X428	Cupholder
161	164655	Extrusion Bumper
209	17000612	Screw Hexwsh Thdrol 3/8-16 x 3/4
213	169848X428	Skirt Grille LH
214	169847X428	Skirt Grille RH
217	179132X428	Console Fuel Window
278	191611	Screw 10 x 3/4 Single Lead Hex

NOTE: All component dimensions given in U.S. inches.
1 inch = 25.4 mm.

REPAIR PARTS

TRACTOR-MODEL NO. SP24H48YT (96012002500)

DRIVE



drive-hydro.stlt_59

REPAIR PARTS

TRACTOR-MODEL NO. SP24H48YT (96012002500)

DRIVE

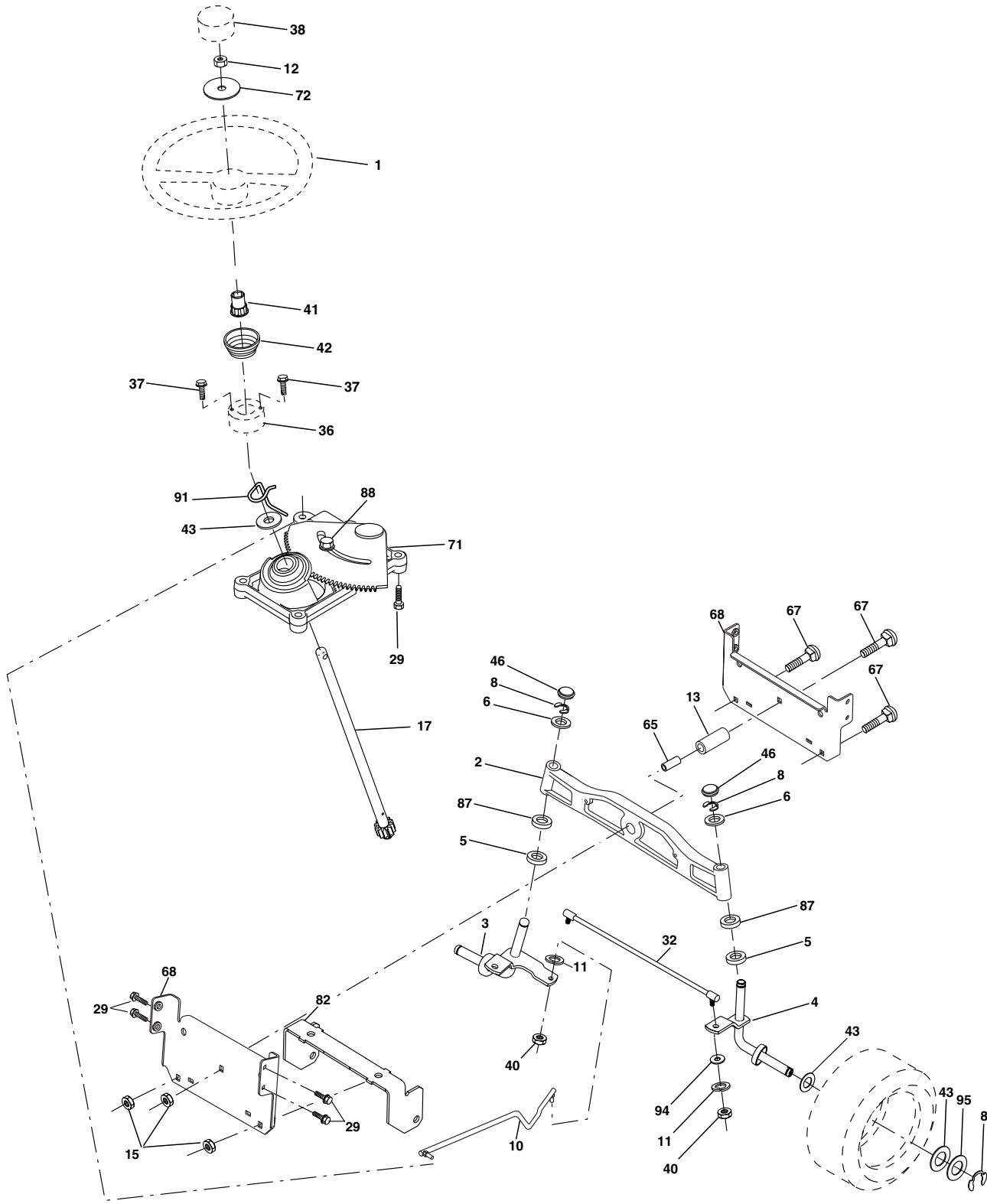
KEY NO.	PART NO.	DESCRIPTION	KEY NO.	PART NO.	DESCRIPTION
1	---	Transaxle, HydroGear, Model Number 314-0510 (Order parts from Transaxle manufacturer)	65	10040700	Washer
8	192502	Rod Shift Fend.	66	154778	Keeper Belt Engine
9	179334	Clutch Electric	69	142432	Screw Hex Wsh Hi-Lo 1/4-1/2 unc
10	76020416	Pin Cotter 1/8 x 1	71	169183	Strap Torque LH
14	10040400	Washer Lock Hvy 1/4	73	169182	Strap Torque RH
15	74490544	Bolt Hex Flghd 5/16-18 Gr. 5	74	137057	Spacer, Axle
16	73800500	Nut Lock Hex W/Ins. 5/16-18 unc	75	121749X	Washer 25/32 x 1-1/4 x 16 Ga.
17	126197X	Washer 1-1/2 OD x 15/32 ID x.250	76	12000001	E-Ring
19	73800600	Nut Lock Hex W/Wsh 3/8-16 unc	77	123583X	Key, Square
20	173937	Bolt Hex 7/16-20 x 4 x Gr. 5-1.5	78	121748X	Washer 25/32 x 1-5/8 x 16 Ga.
21	140845	Knob	81	165596	Shaft Assy. Cross Taper
22	169498	Rod, Brake	82	165711	Spring Torsion
23	190736	Bracket Anti-Rotation	83	19171216	Washer 17/32 x 3/4 x 16 Ga.
24	73350600	Nut, Hex Jam 3/8-16 unc	84	169594	Link Transaxle
25	106888X	Spring, Brake Rod	89	192387X428	Console, Shift
26	19131316	Washer	95	170201	Rod Bypass
27	76020412	Pin Cotter 1/8 x 3/4 CAD.	96	4497H	Retainer Spring 1" Zinc/Cad
28	175765	Rod, Parking Brake	112	17490510	Screw 5/16 - 18 x 5/8
29	71673	Knob Brake Parking	120	73900600	Nut Lock Flg 3/8-16 unc
30	169592	Bracket, Transaxle	150	175456	Spacer Retainer
32	74760512	Bolt Hex Hd 5/16-18 unc x 3/4	151	19133210	Washer 13/32 x 2 x 10 Ga.
34	175578	Shaft, Foot Pedal	156	166002	Washer 5/16 ID x 1.0 x .125
35	120183X	Bearing, Nylon	158	165589	Bracket Shift Mount
36	19211616	Washer	159	183900	Hub Shift
37	1572H	Pin, Roll	161	72140406	Bolt Rdhd Sqnk 1/4-20 x 3/4 Gr. 5
38	179114	Pulley, Composite	162	73680400	Nut Crownlock 1/4-20 unc
39	72110622	Bolt Rdhd 3/8-16 unc x 2-3/4 Gr. 5	163	74780416	Bolt Hex Fin 1/4-20 unc x 1 Gr. 5
41	175556	Keeper, Belt Idler Flat	164	19091210	Washer 9/32 x 3/4 x 10 Ga.
47	127783	Pulley, Idler, V-Groove	165	165623	Bracket Pivot Lever
48	154407	Bellcrank Clutch Grnd Drw Stl	168	165492	Bolt Shoulder 5/16-18 x .561
49	123205X	Retainer, Belt	169	165580	Plate Fastener Cross Shf.
50	72110612	Bolt	197	169613	Nyliner Snap-in 5/8 ID
51	73680600	Nut Crownlock 3/8-16 unc	198	169593	Washer Nyl 7/8 ID x .105"
52	73680500	Nut, Crownlock 5/16-18 unc	199	169612	Bolt Shoulder 5/16-18 unc
53	105710X	Link, Clutch	200	72140508	Bolt Rdhd Sqnk 5/16-18 unc x 1
55	105709X	Spring, Return, Clutch	202	72110614	Bolt Carr Sh 3/8-16 x 1-3/4 Gr. 5
56	17060620	Screw 3/8-16 x 1-1/4	254	17000616	Screw 3/8-16 x 1
57	140294	V-Belt, Ground Drive	263	17000612	Screw 3/8-16 x .75
59	169691	Keeper, Center Span			
61	17120614	Screw 3/8-16 x .875			
62	123533X	Cover, Pedal			
63	174607	Pulley, Engine			

NOTE: All component dimensions given in U.S. inches
1 inch = 25.4 mm

REPAIR PARTS

TRACTOR-MODEL NO. SP24H48YT (96012002500)

STEERING ASSEMBLY



steering_stealth_prem_6

REPAIR PARTS

TRACTOR-MODEL NO. SP24H48YT (96012002500)

STEERING ASSEMBLY

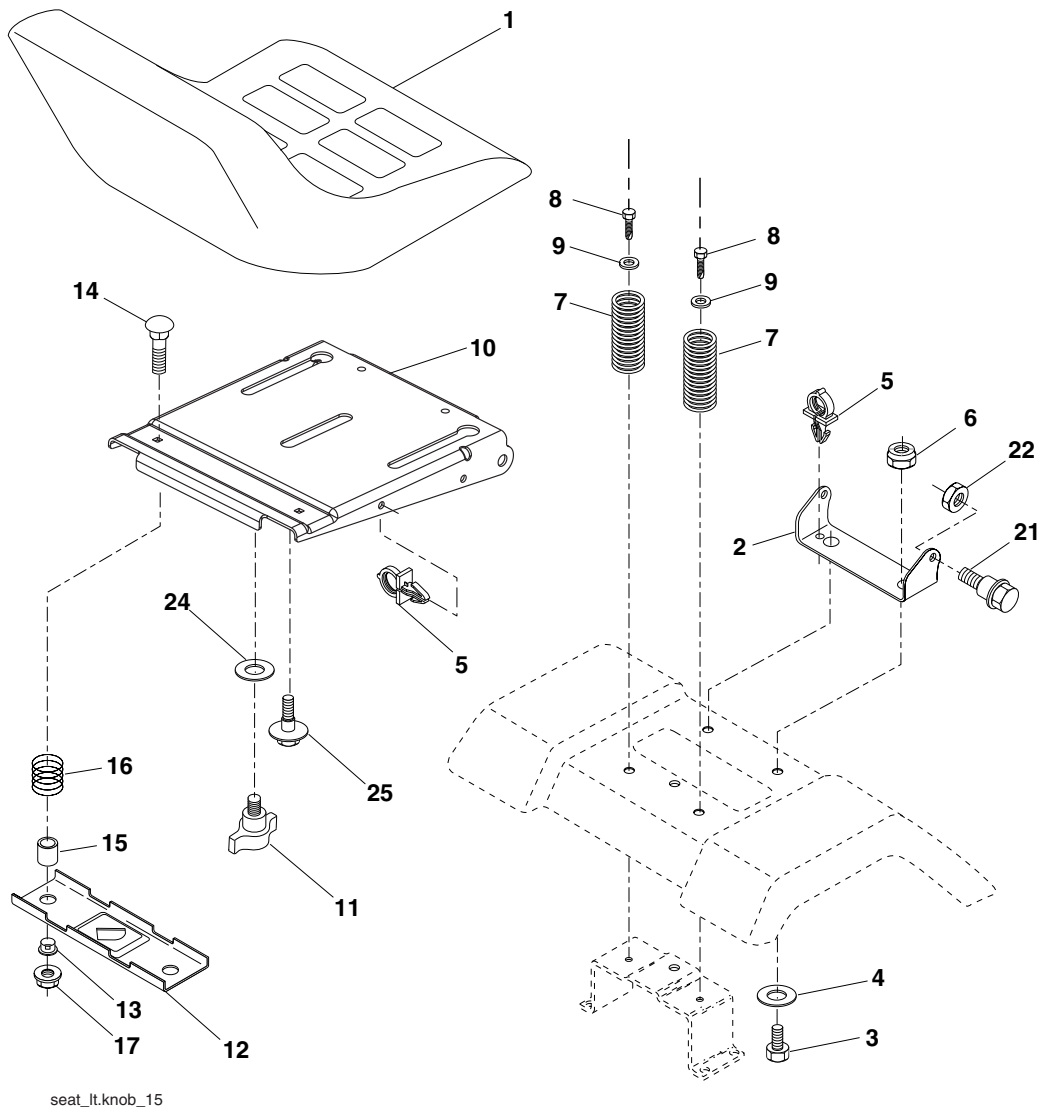
KEY NO.	PART NO.	DESCRIPTION
1	186094X428	Wheel Steering
2	184706	Axle
3	169840	Spindle Asm LH
4	169839	Spindle Asm RH
5	6266H	Bearing Race Thrust Harden
6	121748X	Washer 25/32 x 1-5/8 x 16 Ga.
8	12000029	Ring Klip #t5304-75
10	175121	Link Drag
11	10040600	Washer Lock Hvy Hlcl Spr 3/8
12	73940800	Nut Hex Jam Toplock 1/2-20 unf
13	136518	Spacer Brg Axle Front
15	145212	Nut Hex Flange Lock
17	177883	Shaft Asm Strg
29	17000612	Screw 3/8-16 x 3/4
32	180580	Rod Tie
36	155105	Bushing Strg
37	152927	Screw TT #32.5 x 5 x 3/8 Flange
38	186095X428	Cap Wheel Steer
40	73540600	Nut Crownlock 3/8-24
41	186737	Adaptor Wheel Strg
42	163888X428	Boot Steering
43	121749X	Washer 25/32 x 1 1/4 x 16 Ga.
46	121232X	Cap Spindle Fr Top Blk
65	160367	Spacer Brace Axle
67	72110618	Bolt Rdhd Sqm 3/8-16 x 2-1/4
68	169827	Brace, Axle
71	175146	Steering Asm.
72	19183812	Washer 9/16 ID x 2-3/8 OD 12 Ga.
82	169835	Bracket Susp Chassis Front
87	173966	Washer Flat .781 x 1-1/2 x .14
88	175118	Bolt Shoulder 7/16-20 unc
91	175553	Clip
94	19121414	Rod Tie
95	188967	Washer Hardened

NOTE: All component dimensions given in U.S. inches.
1 inch = 25.4 mm.

REPAIR PARTS

TRACTOR-MODEL NO. SP24H48YT (96012002500)

SEAT ASSEMBLY



seat_lt.knob_15

KEY NO.	PART NO.	DESCRIPTION
1	188706	Seat
2	180166	Bracket Pivot Seat
3	71110616	Bolt Fin Hex 3/8-16 unc x 1
4	19131610	Washer Flat 13/32 x 1 x 10 Ga.
5	145006	Clip Push-In
6	73800600	Nut Hex w/Ins. 3/8-16 unc
7	124181X	Spring Seat Cprsn 2 250 Blk Zi
8	17000616	Screw 3/8-16 x 1
9	19131614	Washer 13/32 x 1 x 14 Ga.
10	180186	Pan Seat
11	166369	Knob Seat Adj. Wingnut
12	174648	Bracket Mounting Switch

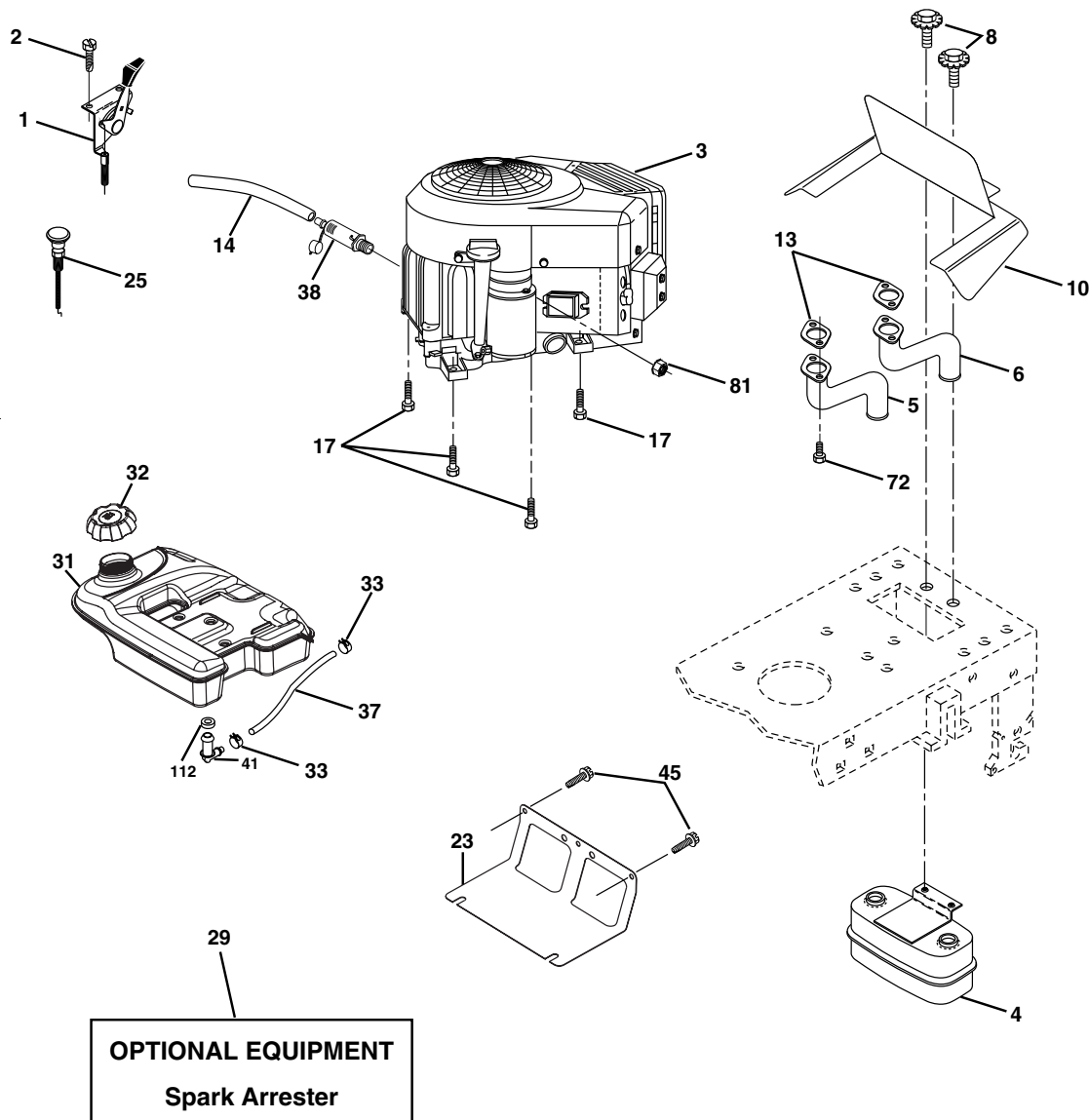
KEY NO.	PART NO.	DESCRIPTION
13	121248X	Bushing Snap Blk Nyl 50 Id
14	72050412	Bolt Rdhd Sqnk 1/4-20 x 1-1/2
15	121249X	Spacer Split
16	123740X	Spring Cprsn
17	123976X	Nut Lock 1/4 Lge Flg Gr. 5 Zinc
21	171852	Bolt Shoulder 5/16-18 unc
22	73800500	Nut Hex Lock W/Ins 5/16-18
24	19171912	Washer 17/32 x 1-3/16 x 12 Ga.
25	127018X	Bolt Shoulder 5/16-18 x 62

NOTE: All component dimensions given in U.S. inches.
1 inch = 25.4 mm.

REPAIR PARTS

TRACTOR-MODEL NO. SP24H48YT (96012002500)

ENGINE



engine-bs intek-twin_39

KEY NO.	PART NO.	DESCRIPTION
1	175437X428	Control Throttle
2	191611	Screw 10 x 3/4 Single Lead Hex
3	-----	Engine, Briggs Model 445677 (Order parts from engine mfg.)
4	149723	Muffler Asm Twin Lo-Tone
5	159955	Pipe Exhaust LH Intek
6	160589	Pipe Exhaust RH Intek
8	171877	Bolt 5/16-18 unc x 3/4 w/Sems
10	162797	Shield Browning Intek II
13	165391	Muffler Gasket
14	148456	Tube Drain Oil Easy
17	17060624	Screw Thdrol 3/8-16 x 1-1/2
23	169837	Shield Heat
25	187767X428	Choke Control
29	137180	Kit Spark Arrestor (Flat Scrn)
31	179022	Tank Fuel 4.0 Rear
32	179124X428	Cap Asm Fuel

KEY NO.	PART NO.	DESCRIPTION
33	123487X	Clamp Hose Black
37	8543R	Line Fuel
38	181654	Plug Drain Oil
41	139277	Stem Tank Fuel
45	17000612	Screw Hexwsh Thdr 3/8-16 x 3/4
72	183906	Screw Socket Head 5/16-18 x 1
81	73510400	Nut Keps Hex 1/4-20 unc
112	3645J	Bushing

NOTE: All component dimensions given in U.S. inches.
1 inch = 25.4 mm.

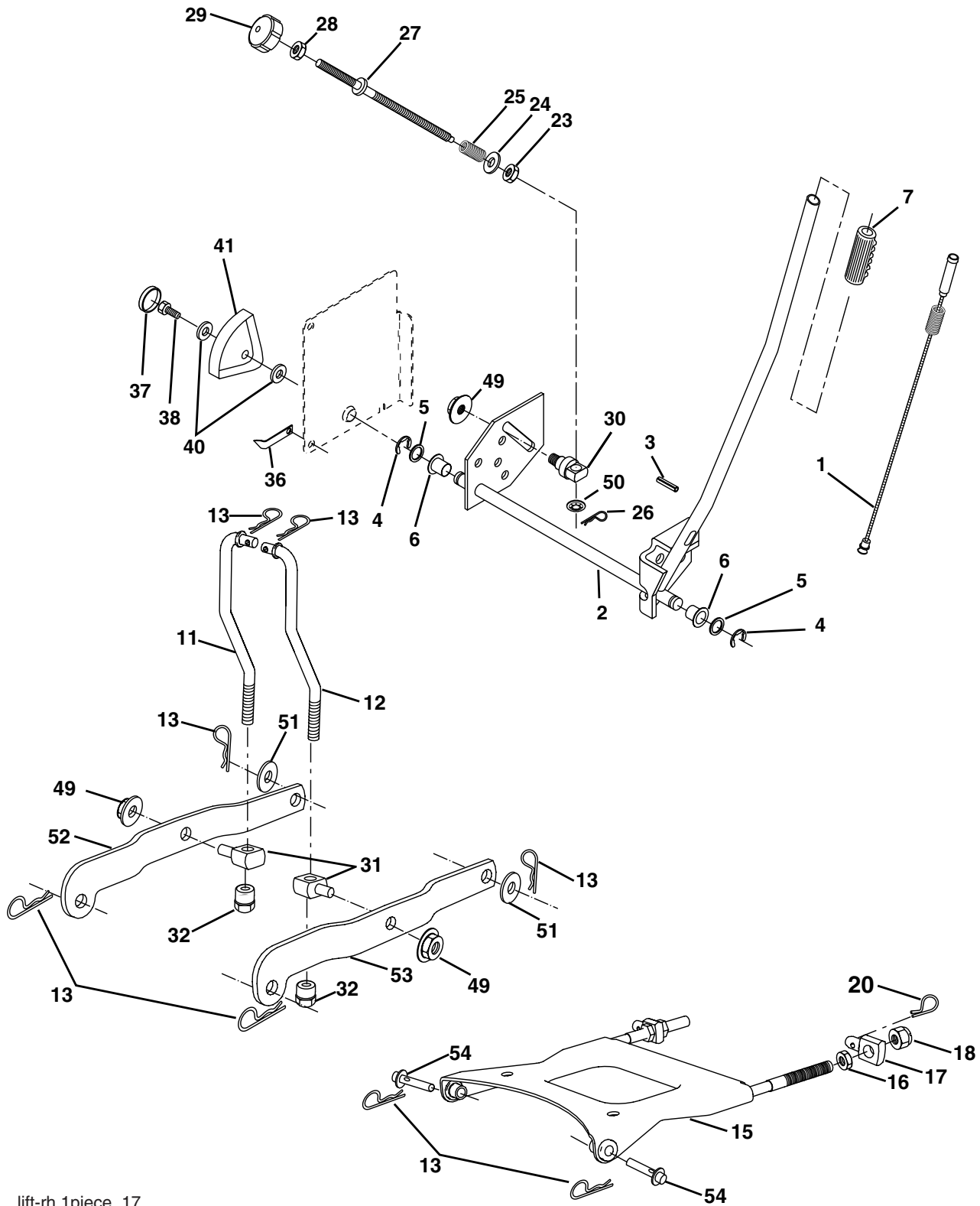
For engine service and replacement parts, call the toll free number for your engine manufacturer listed below:

Briggs & Stratton	1-800-233-3723
Kohler Co.	1-800-544-2444
Tecumseh Products	1-800-558-5402
Honda Engines	1-800-426-7701
Kawasaki	1-949-460-5688

REPAIR PARTS

TRACTOR-MODEL NO. SP24H48YT (96012002500)

MOWER LIFT



lift-rh.1piece_17

REPAIR PARTS

TRACTOR-MODEL NO. SP24H48YT (96012002500)

MOWER LIFT

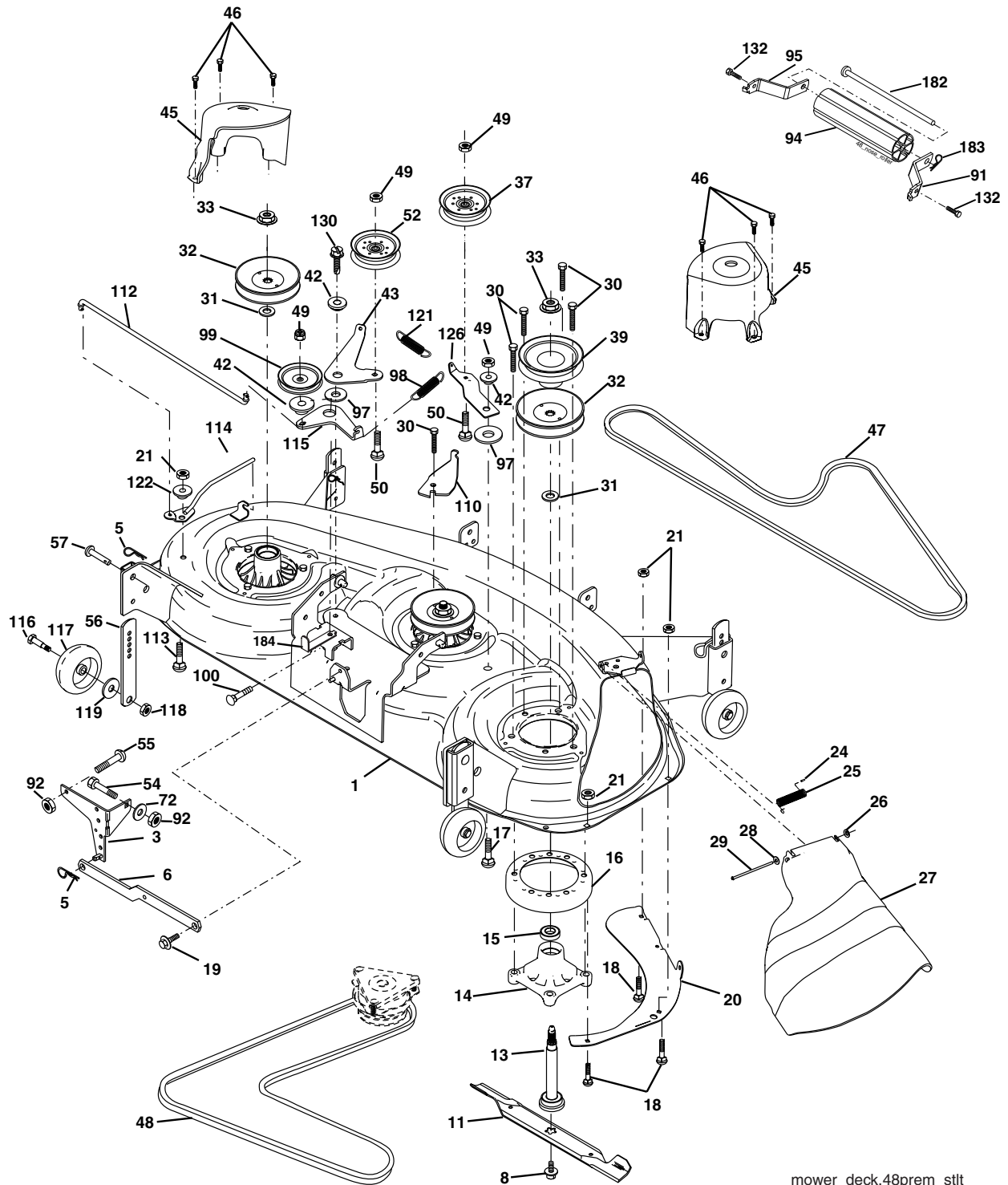
KEY NO.	PART NO.	DESCRIPTION
2	184432	Shaft Asm Lift RH w/Inf
3	188822	Pin Groove
4	12000002	E Ring #5133-62
5	19211621	Washer 21/32 x 1 x 21 Ga.
6	120183X	Bearing Nylon Blk 629 Id
7	175830	Grip Handle
11	175370	Link Lift LH
12	175371	Link Lift RH
13	4939M	Retainer Spring
15	175562	Plate Asm. Suspension Front
16	73350800	Nut Jam Hex 1/2-13 unc
17	175689	Trunnion Front Susp.
18	73800800	Nut Lock w/Wsh 1/2-13 unc
20	163552	Retainer Spring
23	110807X	Nut Special
24	19131016	Washer 13/32 x 5/8 x 16 Ga.
25	164024	Spring
26	169484	Retainer Clip
27	164543	Rod Adj Lift
28	73350600	Nut Hex Jam 3/8-16 unc
29	138057	Knob Inf 3/8-16 unc Blk W/sym
30	150233	Trunnion Infin Height
31	176205	Trunnion Susp. Arm
32	175994	Nut Lift Link 7/16-20
36	155097	Pointer Height Indicator
37	123935X	Plug Hole Blk 1.485/1.515 Dia.
38	17060516	Screw 5/16-18 x 1
40	19112410	Washer 11/32 x 1-1/2 10 Ga.
41	155098	Indicator Height STLT
49	145212	Nut Hex Flange Lock
50	110452X	Nut PUsh Phos & Oil
51	19171416	Washer 17/32 x 7/8 x 16 Ga.
52	175378	Arm Susp. Rear LH
53	175802	Arm Susp. Rear RH
54	175560	Pin

NOTE: All component dimensions given in U.S. inches.
1 inch = 25.4 mm.

REPAIR PARTS

TRACTOR-MODEL NO. SP24H48YT (96012002500)

MOWER



mower_deck.48prem_stlt

REPAIR PARTS

TRACTOR-MODEL NO. SP24H48YT (96012002500)

MOWER

KEY NO.	PART NO.	DESCRIPTION	KEY NO.	PART NO.	DESCRIPTION
1	180358	Deck Weldment Mower 48	54	74780616	Bolt Fin Hex 3/8-16 x 1
3	138017	Bracket Asm., Sway Bar	55	72140608	Bolt Carriage Sqkn. 3/8-16 x 1
5	4939M	Retainer Spring	56	155986	Bar Pnt Adj.
6	178024	Arm, Suspension, Rear Sway Bar Deck	57	156941	Pin Head Rivet
8	174365	Bolt 7/16 Asm. Blade (The following blades are available)	72	19131312	Washer 13/32 x 13/16 x 12 Ga.
11	173921	Blade, 48" Mulching (For mulching mowers only)	91	180535	Bracket, Asm Noseroller, RH
--	180054	Blade, 48" Hi-Lift (For bagging and discharging)	92	73800600	Nut Lock Hex 3/8-16
13	174360	Shaft Asm. w/Lower Bearing	94	176066	Noseroller
14	174358	Mandrel Asm. Housing	95	180534	Bracket, Asm Noseroller LH
15	110485X	Bearing, Ball, Mandrel	97	178515	Washer Hardened
16	174493	Stripper Mandrel Deck	98	179479	Spring Primary Drive
17	72110610	Bolt RDHD Sq Neck 3/8-16 x 1.25	99	189993	Pulley Idler"V"
18	72140505	Bolt, Carriage 5/16-18 x 5/8	100	72110616	Bolt RDHD Sqkn 3/8-16 unc x 2
19	132827	Bolt, Hex Hd, Shoulder 5/16-18	110	175016	Arm Spring Secondary
20	174378	Baffle, Vortex Mower	112	174387	Link Tension Relief Lever
21	73680500	Nut, Crownlock 5/16-18 unc	113	72110506	Bolt 5/16-18 x 3/4
24	105304X	Cap, Sleeve	114	174384	Tension Asm. Relief Lever
25	178102	Spring, Torsion	115	174609	Arm Spring Tension Relief
26	110452X	Nut, Push	116	193406	Bolt, Shoulder
27	180655X428	Deflector Shield	117	174873	Gauge Wheel
28	19111016	Washer 11/32 x 5/8 x 16 Ga.	118	73930600	Nut, Centerlock 3/8-16 unc
29	131491	Rod, Hinge	119	19121414	Washer 3/8 x 7/8 x 14 Ga.
30	173984	Screw, Thdroll Washer Head	121	174371	Spring Secondary Drive
31	187690	Washer, Spacer	122	174606	Bushing Pivot Tension Relief
32	153535	Pulley, Mandrel	126	174372	Arm, Idler, Primary Deck
33	178342	Nut, Flg. Top Lock Cntr. 9/16	130	17000616	Screw 3/8-16 x 1.0
37	177968	Pulley, Idler, Flat	132	17000612	Screw 3/8-16 x .75
39	174375	Pulley, Idler, Driven	182	179127	Rod Roller Nose
42	165723	Spacer, Retainer	183	163552	Retainer Spring
43	174373	Arm, Idler Secondary	184	173979	Keeper Belt Idler
45	180806	Cover, Mandrel Deck	--	174356	Mandrel Asm. Service (Includes Key Nos. 13-15 and 33)
46	137729	Screw, Thdroll. 1/4-20 x 5/8	--	181579	Replacement Mower, Complete (Std. Deck - Order separately nose roller components key nos. 91, 94, 95, 132, 182, and 183)
47	180808	V-Belt, Mower, Secondary			
48	174368	V-Belt, Mower, Primary			
49	73900600	Nut, Lock 3/8-16 unc			
50	72110612	Bolt, Carr. 3/8-16 x 1-1/2 Gr. 5			
52	175820	Pulley Idler Flat			

NOTE: All component dimensions given in U.S. inches.
1 inch = 25.4 mm.

SERVICE NOTES
