

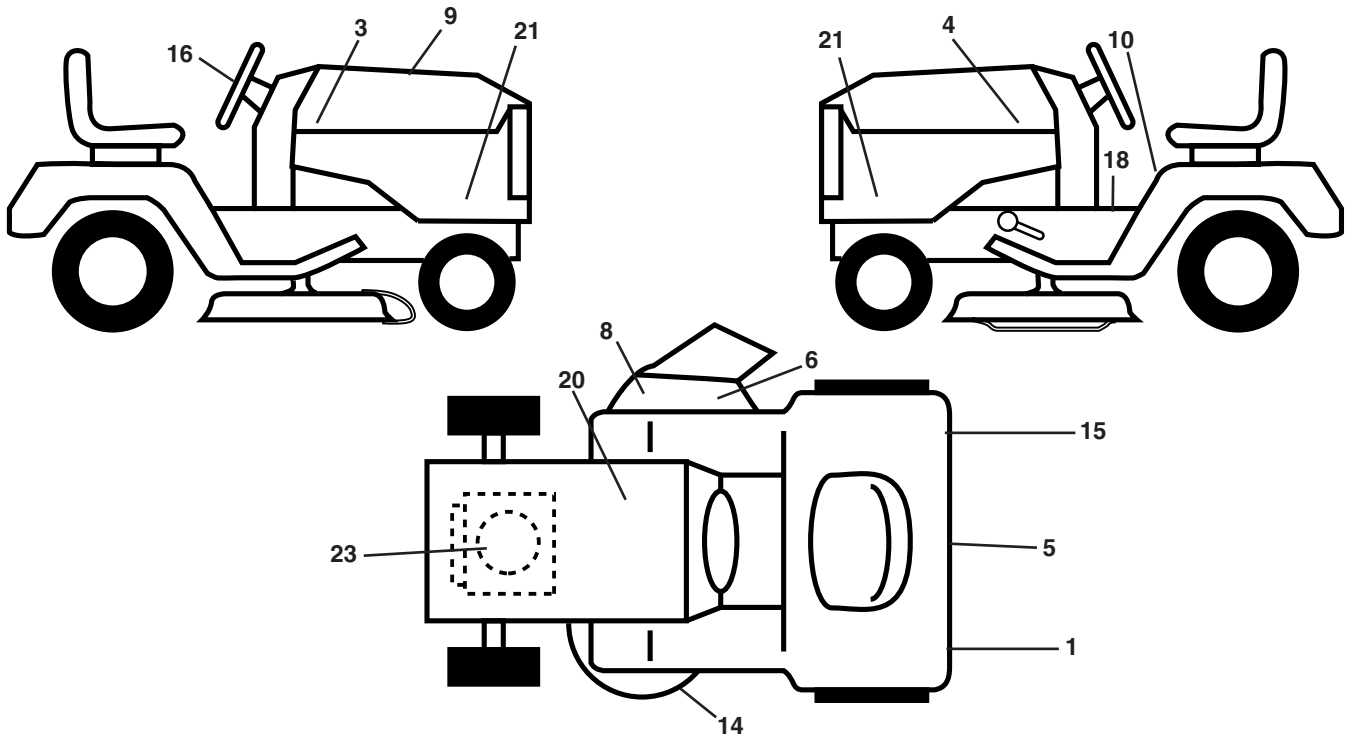
# **ILLUSTRATED PARTS LIST**

**MODEL NO. 96012004201**

**CUSTOMER CATALOG NO. XT24H42LT**

# TRACTOR - - MODEL NUMBER XT24H42LT (96012004201)

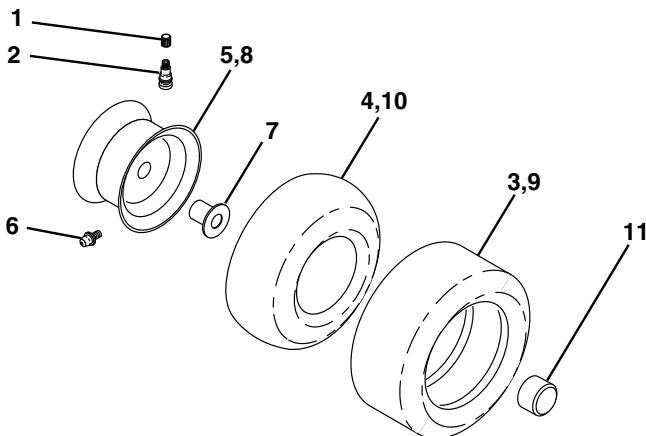
## DECALS



| KEY NO. | PART NO. | DESCRIPTION                   |
|---------|----------|-------------------------------|
| 1       | 187407   | Reflector, LH                 |
| 3       | 197538   | Decal Hood Rh                 |
| 4       | 197540   | Decal Hood LH                 |
| 5       | 196674   | Decal Fender Logo             |
| 6       | 170563   | Decal Warning, Keep Hand Away |
| 8       | 179128   | Decal Deck "B" 42"            |
| 9       | 195525   | Decal Hood                    |
| 10      | 157140   | Decal Fender Danger           |
| 14      | 160396   | Decal V-Belt Schematic        |
| 15      | 187408   | Decal Reflector, RH           |
| 16      | 196673   | Decal Ins Strg Whl            |

| KEY NO. | PART NO.      | DESCRIPTION            |
|---------|---------------|------------------------|
| 18      | 193939        | Decal Oper             |
| 20      | 145005        | Decal Battery          |
| 21      | 196675        | Decal Side Panel Logo  |
| 23      | 191652        | Decal Engine           |
| --      | 138311        | Decal Height Adjust    |
| --      | 166960        | Decal By Pass Lt Hydro |
| --      | 184310X428    | Pad Footrest LH        |
| --      | 184311X428    | Pad Footrest RH        |
| --      | 197498        | Manual Operator's E&F  |
| --      | <b>199397</b> | Manual Parts E&F       |

## WHEELS AND TIRES

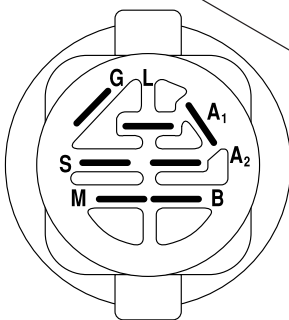
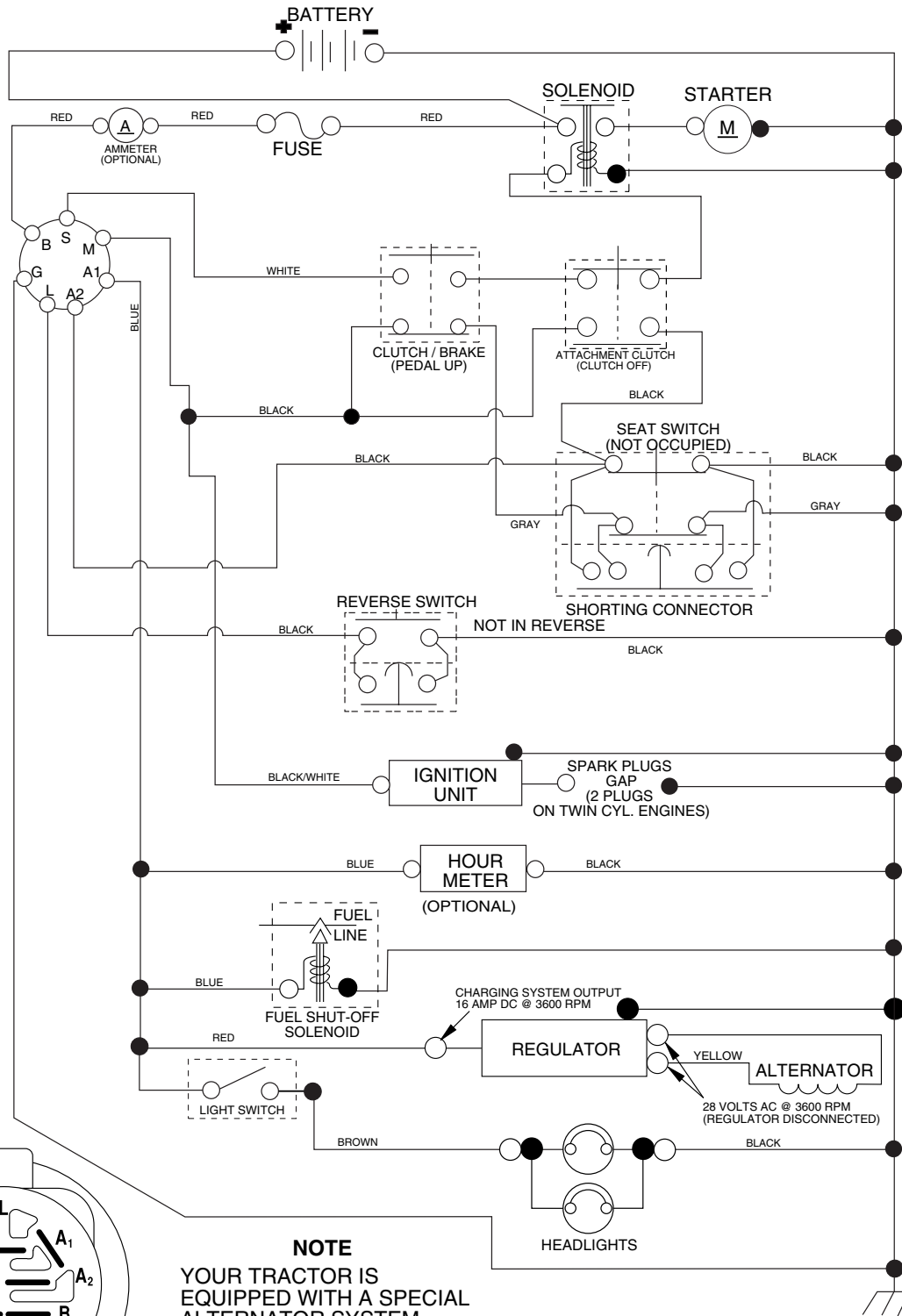


| KEY NO. | PART NO.   | DESCRIPTION                       |
|---------|------------|-----------------------------------|
| 1       | 59192      | Cap Valve Tire                    |
| 2       | 65139      | Stem Valve                        |
| 3       | 106222X    | Tire F T 15 x 6 0 - 6 Service     |
| 4       | 59904      | Tube Front (Service Item Only)    |
| 5       | 106732X624 | Rim Asm 6" Front Service          |
| 6       | 278H       | Fitting Grease (Front Wheel Only) |
| 7       | 9040H      | Bearing Flange (Front Wheel nly)  |
| 8       | 106108X624 | Rim Asm 8" Rear Service           |
| 9       | 138468     | Tire R T 20 x 8-8 Service         |
| 10      | 7152J      | Tube Rear (Service Item Only)     |
| 11      | 104757X624 | Cap Axle Blk 1 50 x 1 00          |
| --      | 144334     | Sealant, Tire (10 oz. Tube)       |

**NOTE:** All component dimensions given in U.S. inches  
1 inch = 25.4 mm

# TRACTOR - - MODEL NUMBER XT24H42LT (96012004201)

## SCHEMATIC



**IGNITION SWITCH**

| POSITION     | CIRCUIT    | "MAKE" |
|--------------|------------|--------|
| OFF          | M+G+A1     |        |
| RUN/OVERRIDE | B+A1       |        |
| RUN          | B+A1       | L+A2   |
| START        | B + S + A1 |        |

02886

### NOTE

YOUR TRACTOR IS EQUIPPED WITH A SPECIAL ALTERNATOR SYSTEM. THE LIGHTS ARE NOT CONNECTED TO THE BATTERY, BUT HAVE THEIR OWN ELECTRICAL SOURCE. BECAUSE OF THIS, THE BRIGHTNESS OF THE LIGHTS WILL CHANGE WITH ENGINE SPEED. AT IDLE THE LIGHTS WILL DIM. AS THE ENGINE IS SPEEDED UP, THE LIGHTS WILL BECOME THEIR BRIGHTEST.

●  
NON-REMOVABLE CONNECTIONS

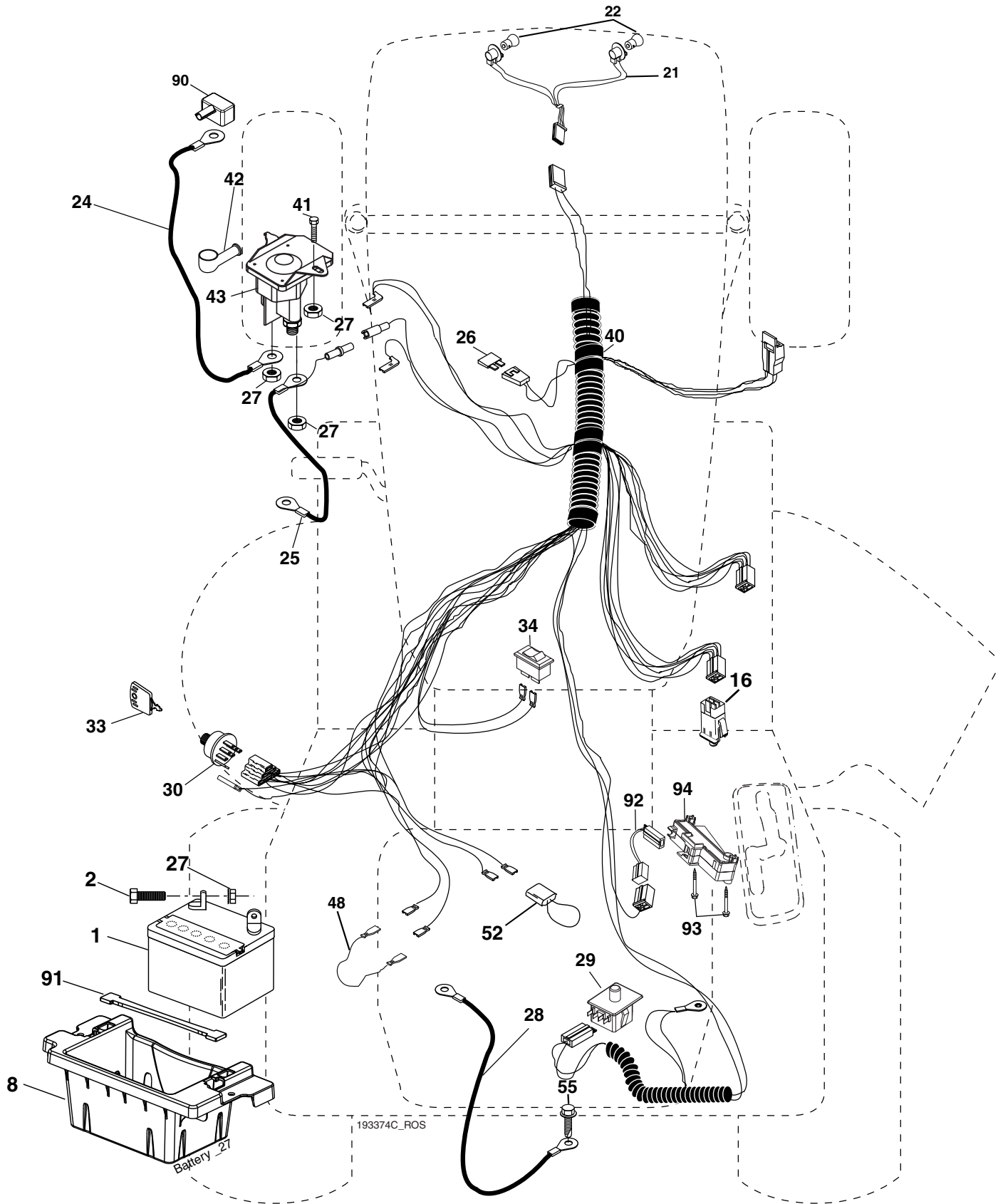
○  
REMOVABLE CONNECTIONS

### WIRING INSULATED CLIPS

**NOTE:** IF WIRING INSULATED CLIPS WERE REMOVED FOR SERVICING OF UNIT, THEY SHOULD BE REPLACED TO PROPERLY SECURE YOUR WIRING.

# TRACTOR - - MODEL NUMBER XT24H42LT (96012004201)

## ELECTRICAL



193374C\_ROS

# TRACTOR - - MODEL NUMBER XT24H42LT (96012004201)

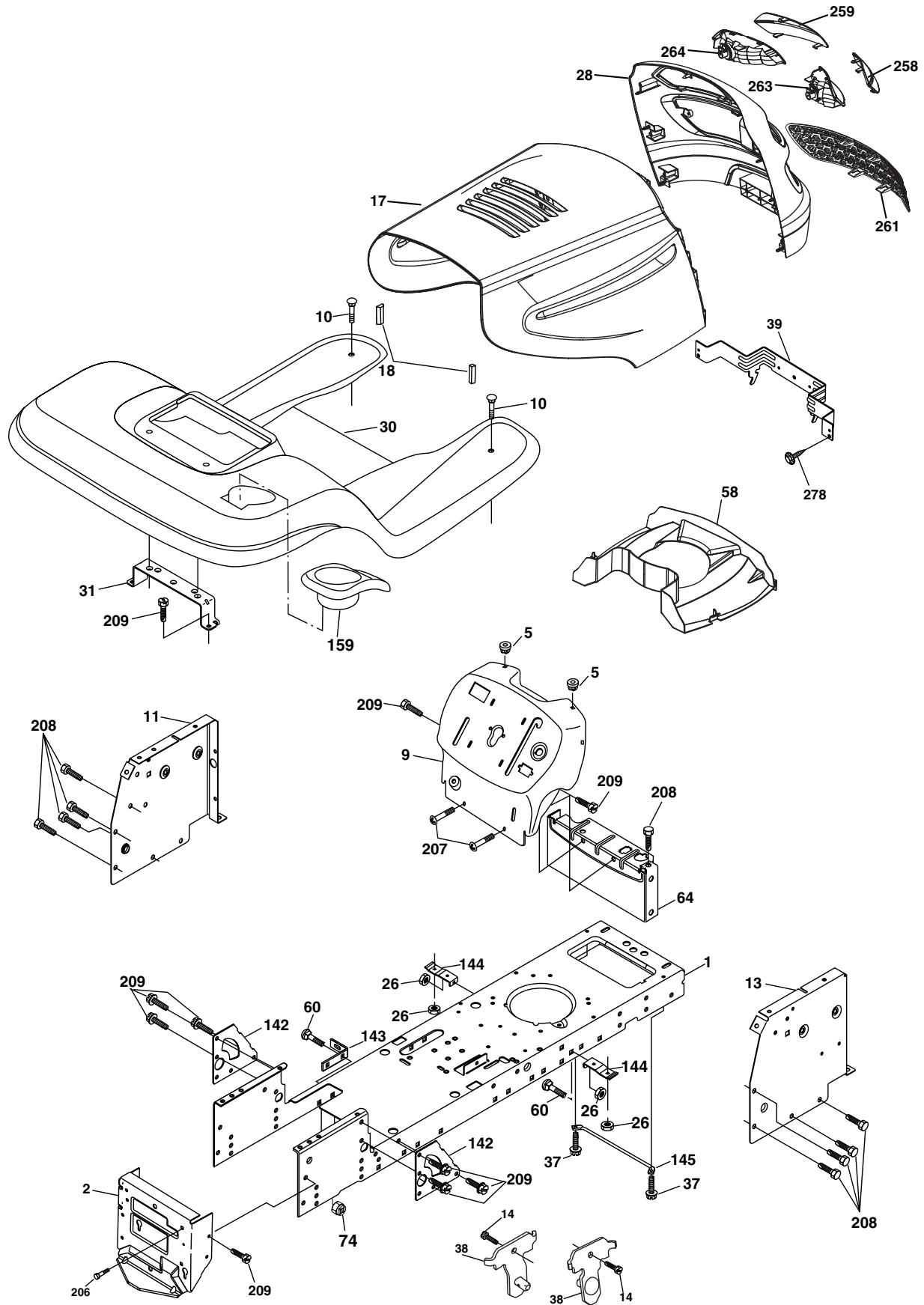
## ELECTRICAL

| KEY NO. | PART NO. | DESCRIPTION                       |
|---------|----------|-----------------------------------|
| 1       | 144927   | Battery                           |
| 2       | 74760412 | Bolt Hex Hd 1/4-20 unc x 3/4      |
| 8       | 186491   | Box Battery                       |
| 16      | 176138   | Switch Interlock                  |
| 21      | 183759   | Harness Socket Light              |
| 22      | 4152J    | Bulb, Light # 1156                |
| 24      | 4799J    | Cable Battery                     |
| 25      | 146148   | Cable Battery 6 Ga. Red w/16 wire |
| 26      | 175158   | Fuse                              |
| 27      | 73510400 | Nut Keps Hex 1/4-20 unc           |
| 28      | 145491   | Cable Ground 21" Blk 6 Ga.        |
| 29      | 192749   | Switch Seat                       |
| 30      | 193350   | Switch Ign                        |
| 33      | 140401   | Key Ign Molded Generic            |
| 34      | 110712X  | Switch Light/Reset                |
| 40      | 193374   | Harness Ign                       |
| 41      | 71110408 | Bolt Fin Hex 1/4-20 unc x 1/2     |
| 42      | 131563   | Cover Terminal Red                |
| 43      | 192507   | Solenoid                          |
| 48      | 140844   | Adapter Ameter                    |
| 52      | 141940   | Protection Loop                   |
| 55      | 17490508 | Screw Thdrol 5/16-18 x 1/2        |
| 90      | 180449   | Cover Terminal                    |
| 91      | 190270   | Strap Battery Mount Front         |
| 92      | 193465   | Harness Pigtail Reverse Switch    |
| 93      | 192540   | Screw Plastite 10-14 x 2.0        |
| 94      | 191834   | Module Revers ROS                 |

**NOTE:** All component dimensions given in U.S. inches  
1 inch = 25.4 mm

# TRACTOR - - MODEL NUMBER XT24H42LT (96012004201)

## CHASSIS



chassis\_elite sv\_pro\_11

# TRACTOR - - MODEL NUMBER XT24H42LT (96012004201)

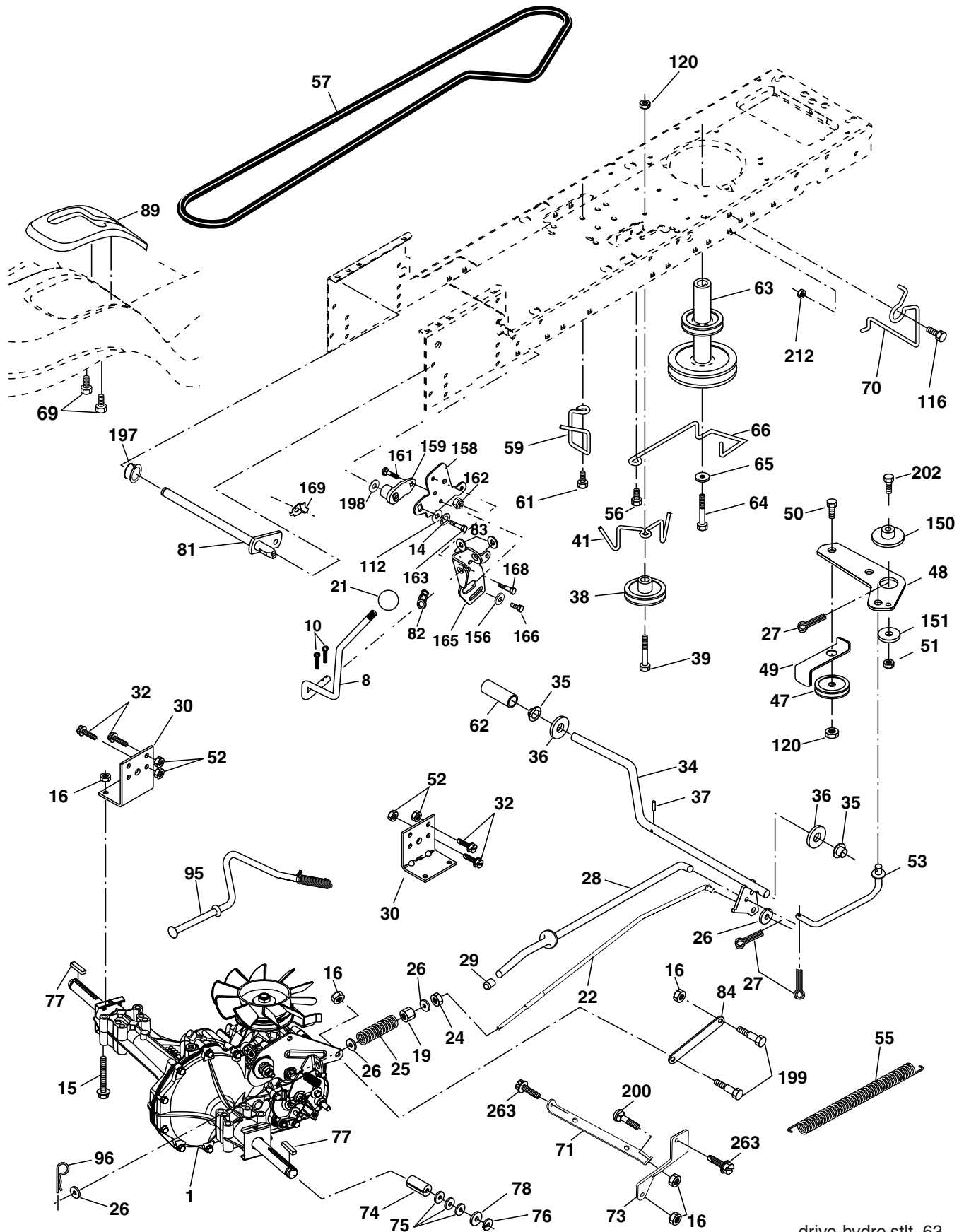
## CHASSIS

| KEY NO. | PART NO.   | DESCRIPTION                     |
|---------|------------|---------------------------------|
| 1       | 174619     | Chassis                         |
| 2       | 176554     | Drawbar                         |
| 5       | 155272     | Bumper Hood                     |
| 9       | 193510X010 | Dash                            |
| 10      | 72140608   | Bolt Carriage 3/8-16 x 1        |
| 11      | 174996     | Panel Dash Lh                   |
| 13      | 175255     | Panel Dash Rh                   |
| 14      | 17490608   | Screw Thdrol 3/8-16 x 1/2       |
| 17      | 183393X505 | Hood                            |
| 18      | 184921     | Bumper Hood                     |
| 26      | 73800600   | Nut Lock Hex W/Ins 3/8-16 unc   |
| 28      | 197482     | Grille                          |
| 30      | 192393X505 | Fender Footrest                 |
| 31      | 139976     | Bracket Fender                  |
| 37      | 17490508   | Screw Thdrol 6/16-18 x 1/2 TYT  |
| 38      | 175710     | Bracket Asm Pivot Mower Rear    |
| 39      | 174714     | Bracket Pivot                   |
| 58      | 189350     | Duct Air                        |
| 60      | 72140606   | Bolt RDHD Sqnk 3/8-16 unc x 3/4 |
| 64      | 154798     | Dash Lower STLT                 |
| 74      | 73680600   | Nut Crownlock 3/8-16 unc        |
| 142     | 175702     | Plate Reinforcement STLT        |
| 143     | 186689     | Bracket Swaybar Chassis         |
| 144     | 175582     | Bracket Footrest Step-thru      |
| 145     | 156524     | Rod Pivot Chassis/Hood          |
| 159     | 155123X428 | Cupholder                       |
| 206     | 170165     | Bolt Shoulder 5/16-18           |
| 207     | 17670508   | Screw Thdrol 5/16-18 x 1/2      |
| 208     | 17670608   | Screw Thdrol 3/8-16 x 1/2       |
| 209     | 17000612   | Screw Hexwsh Thdr 3/8-16 x 3/4  |
| 258     | 183835X599 | Lens Grille Pro RH              |
| 259     | 183834X599 | Lens Grille Pro LH              |
| 261     | 183829X428 | Insert Grille                   |
| 263     | 183833     | Bezel Grille RH                 |
| 264     | 183832     | Bezel Grille LH                 |
| 278     | 191611     | Screw 10 x 3/4 Single Lead-Hex  |

**NOTE:** All component dimensions given in U.S. inches  
1 inch = 25.4 mm

# TRACTOR - - MODEL NUMBER XT24H42LT (96012004201)

## DRIVE



drive-hydro.stlt\_63



# TRACTOR - - MODEL NUMBER XT24H42LT (96012004201)

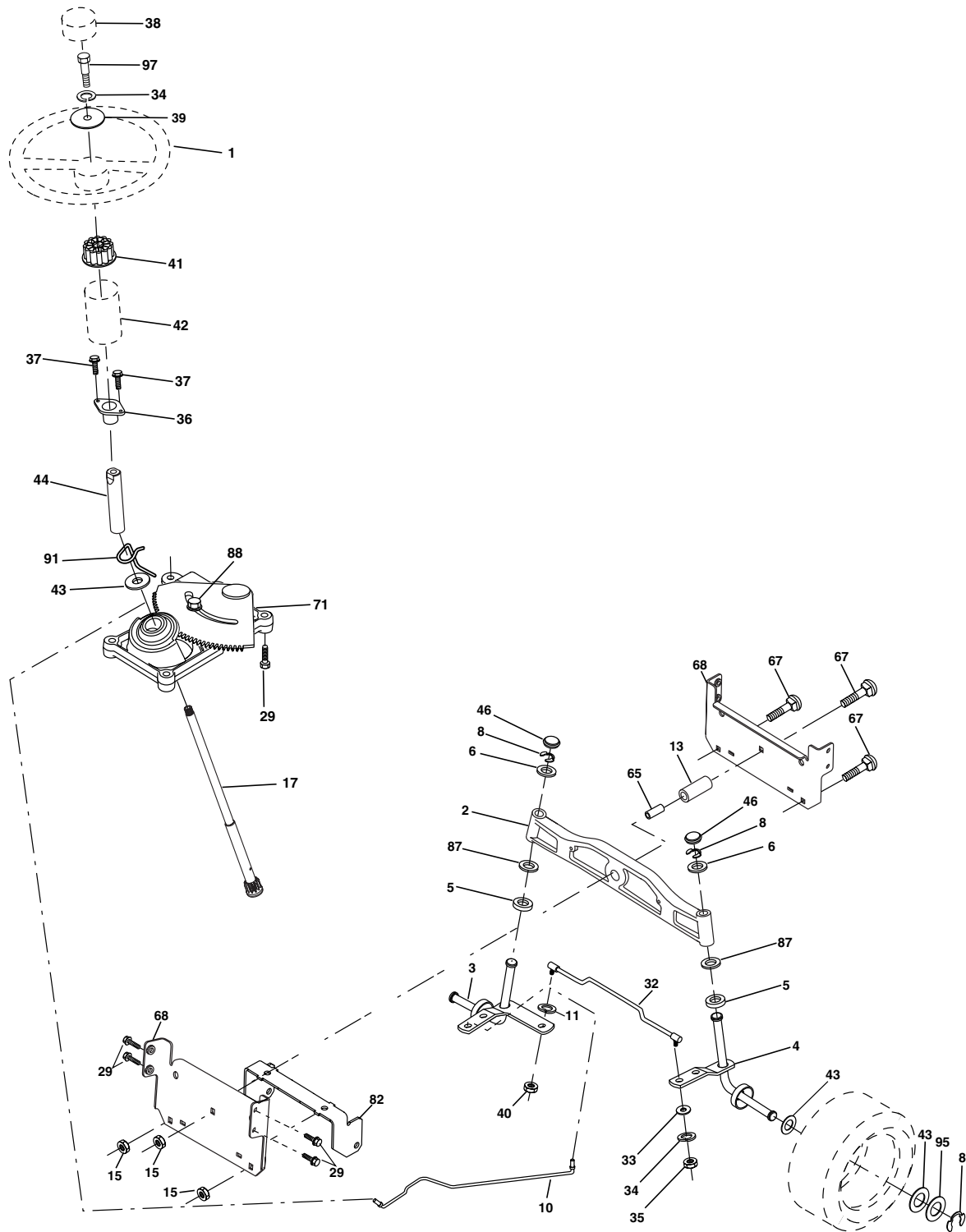
## DRIVE

| KEY NO. | PART NO. | DESCRIPTION  | KEY NO. | PART NO.   | DESCRIPTION                       |
|---------|----------|--|---------|------------|-----------------------------------|
| 1       | -----    | Transaxle Hydro Gear 314-0510<br>(Order Parts From Transaxle Manufacturer) | 66      | 154778     | Keeper Belt Engine                |
| 8       | 192502   | Rod Shift  | 69      | 142432     | Screw Hex Wsh Hi-Lo 1/4 x 1/2 unc |
| 10      | 76020416 | Pin Cotter 1/8 x 1 CAD   | 70      | 134683     | Guide Bolt Mower drive RH         |
| 14      | 10040400 | Washer Lock Hvy Helical  | 71      | 169183     | Strap Torque Lh Hydro             |
| 15      | 74490544 | Bolt, Hex FLGHD 5/16-18 Gr. 5  | 73      | 169182     | Strap Torque Rh Hydro             |
| 16      | 73800500 | Nut Lock Hex W/Ins 5/16-18 unc   | 74      | 137057     | Spacer, Axle                      |
| 19      | 73800600 | Nut Lock Hex W/Wsh 3/8-16 unc  | 75      | 121749X    | Washer 25/32 x 1-1/4 x 16 Ga.     |
| 21      | 140845   | Knob   | 76      | 12000001   | E-Ring                            |
| 22      | 169498   | Rod, Brake Hydro   | 77      | 123583X    | Key, Square                       |
| 24      | 73350600 | Nut  | 78      | 121748X    | Washer 25/32 x 1-5/8 x 16 Ga.     |
| 25      | 106888X  | Spring, Brake Rod  | 81      | 165596     | Shaft Asm. Cross Hydro            |
| 26      | 19131316 | Washer   | 82      | 165711     | Spring Torsion T/A                |
| 27      | 76020412 | Pin Cotter 1/8 x 3/4 CAD.  | 83      | 19171216   | Washer 17/32 x 3/4 x 16 Ga.       |
| 28      | 175765   | Rod, Parking Brake   | 84      | 169594     | Link Transaxle                    |
| 29      | 71673    | Cap, Parking Brake   | 89      | 192387X428 | Console, Shift                    |
| 30      | 169592   | Bracket, Transaxle   | 95      | 170201     | Control Asm Bypass Hydro          |
| 32      | 74760512 | Bolt Hex Hd 5/16-18 unc x 3/4  | 96      | 4497H      | Retainer Spring 1" Zinc/Cad       |
| 34      | 175578   | Shaft, Foot Pedal  | 112     | 19091210   | Washer 9/32 x 3/4 x 10 Ga.        |
| 35      | 120183X  | Bearing, Nylon   | 116     | 72140608   | Bolt RDHD SQNK 3/8-16 UNC x 1     |
| 36      | 19211616 | Washer   | 120     | 73900600   | Nut Lock Flg 3/8-16 unc           |
| 37      | 1572H    | Pin, Roll  | 150     | 175456     | Spacer Retainer                   |
| 38      | 179114   | Pulley, Composite  | 151     | 19133210   | Washer 13/32 x 2 x 10 Ga.         |
| 39      | 72110622 | Bolt Rdhd 3/8-16 unc x 2-3/4 Gr. 5   | 156     | 166002     | Washer Srrted 5/16 ID x 1.125     |
| 41      | 175556   | Keeper, Belt Idler   | 158     | 165589     | Bracket Shift Mount               |
| 47      | 127783   | Pulley, Idler, V-Groove  | 159     | 183900     | Hub Shift                         |
| 48      | 154407   | Bellcrank Clutch Grnd Drv STL  | 161     | 72140406   | Bolt Rdhd Sqnk 1/4-20 x 3/4 Gr. 5 |
| 49      | 123205X  | Retainer, Belt   | 162     | 73680400   | Nut Crownlock 1/4-20 unc          |
| 50      | 72110612 | Bolt Carr Sh 3/8-16 x 1-1/2 Gr. 5  | 163     | 74780416   | Bolt Hex Fin 1/4-20 unc x 1 Gr. 5 |
| 51      | 73680600 | Nut Crownlock 3/8-16 unc   | 165     | 165623     | Bracket Pivot Lever               |
| 52      | 73680500 | Nut Crownlock 5/16-18 unc  | 166     | 17490510   | Screw 5/16-18 x 5/8               |
| 53      | 105710X  | Link, Clutch   | 168     | 165492     | Bolt Shoulder 5/16-18 x .561      |
| 55      | 105709X  | Spring, Return, Clutch   | 169     | 165580     | Plate Fastening Lt                |
| 56      | 17060620 | Screw 3/8-16 x 1-1/4   | 197     | 169613     | Nyliner Snap-In 5/8" ID           |
| 57      | 140294   | V-Belt, Ground Drive   | 198     | 169593     | Washer Nyl 7/8 ID x .105          |
| 59      | 169691   | Keeper, Center Span  | 199     | 169612     | Bolt Shoulder 5/16-18 unc         |
| 61      | 17120614 | Screw 3/8-16 x .875  | 200     | 72140508   | Bolt Rdhd Sqnk 5/16-18 unc x 1    |
| 62      | 8883R    | Cover, Pedal   | 202     | 72110614   | Bolt Carr Sh 3/8-16 x 1-3/4 Gr. 5 |
| 63      | 175410   | Pulley, Engine   | 212     | 145212     | Nut Hex Flange Lock               |
| 64      | 173937   | Bolt Hex 7/16-20 x 4 x Gr. 5-1.5 Thr                                       | 263     | 17000612   | Thdrol Screw 3/8-16 x 3/4         |
| 65      | 10040700 | Washer   |         |            |                                   |

**NOTE:** All component dimensions given in U.S. inches  
1 inch = 25.4 mm

# TRACTOR - - MODEL NUMBER XT24H42LT (96012004201)

## STEERING ASSEMBLY



steering\_pl.lt\_60

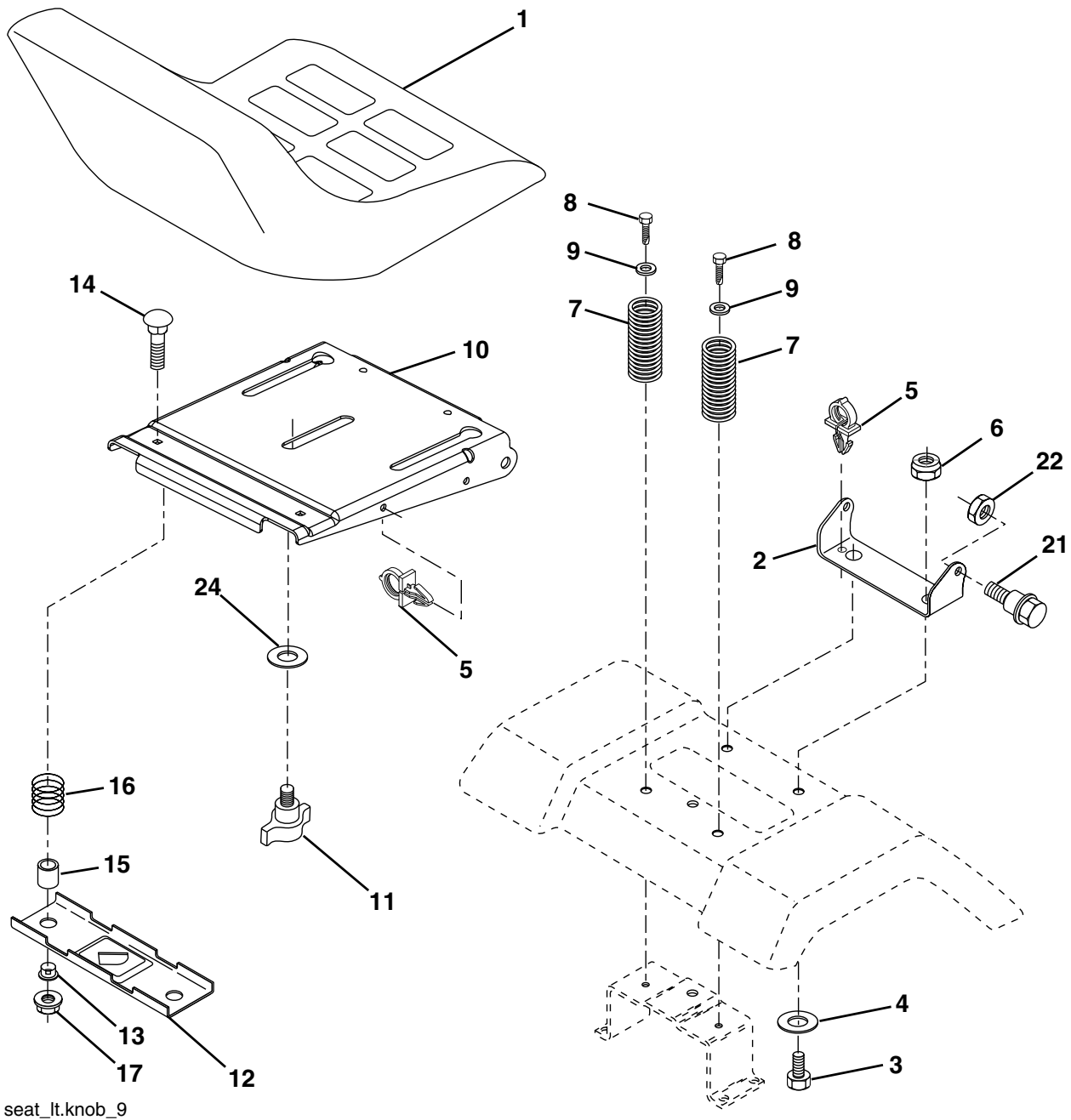
**TRACTOR - - MODEL NUMBER XT24H42LT (96012004201)**  
**STEERING ASSEMBLY**

| <b>KEY NO.</b> | <b>PART NO.</b> | <b>DESCRIPTION</b>                  |
|----------------|-----------------|-------------------------------------|
| 1              | 186094X428      | Wheel Steering                      |
| 2              | 184706          | Axle Asm Cast Iron LT               |
| 3              | 169840          | Spindle Asm LH                      |
| 4              | 169839          | Spindle Asm RH                      |
| 5              | 6266H           | Bearing Race Thrust Harden          |
| 6              | 121748X         | Washer 25/32 x 1-5/8 x 16 Ga.       |
| 8              | 12000029        | Ring Klip #t5304-75                 |
| 10             | 175121          | Link Drag                           |
| 11             | 10040600        | Washer Lock Hvy Hlcl Spr 3/8        |
| 12             | 73940800        | Nut Hex Jam Toplock 1/2-20 unf      |
| 13             | 136518          | Spacer Brg Axle Front               |
| 15             | 145212          | Nut Hex Flange Lock                 |
| 17             | 190753          | Shaft Asm Steering                  |
| 29             | 17000612        | Screw 3/8-16 x .75                  |
| 32             | 171888          | Rod Tie                             |
| 33             | 19111216        | Washer 11/32 x 3/4 x 16 Ga.         |
| 34             | 10040500        | Washer Lock 5/16                    |
| 35             | 73540500        | Crownlock Nut 5/16-24 unf           |
| 36             | 155099          | Bushing Strg                        |
| 37             | 152927          | Screw                               |
| 38             | 186095X428      | Insert Cap Strg Wh                  |
| 39             | 19113812        | Washer 11/32 ID x 2-3/8 OD x 12 Ga. |
| 40             | 73540600        | Crownlock nut                       |
| 41             | 186737          | Adaptor Wheel Strg                  |
| 42             | 145054X428      | Boot Steering Dash                  |
| 43             | 121749X         | Washer 25/32 x 1 1/4 x 16 Ga.       |
| 44             | 190752          | Shaft Exten.                        |
| 46             | 121232X         | Cap Spindle Fr Top Blk              |
| 65             | 160367          | Spacer Brace Axle                   |
| 67             | 72110618        | Bolt RDHD SQNK 3/8-16 x 2 1/4       |
| 68             | 169827          | Axle, Brace                         |
| 71             | 175146          | Steering Asm                        |
| 82             | 169835          | Bracket Susp Chassis Front          |
| 87             | 173966          | Washer Flat .781 x 1-1/2 x .14      |
| 88             | 175118          | Bolt Shoulder 7/16-20 unc           |
| 91             | 175553          | Clip Steering                       |
| 95             | 188967          | Washer Harden .739 x 1.637 x 060    |
| 97             | 74780564        | Bolt 5/16-18 unc x 4" L Gr. 5       |

**NOTE:** All component dimensions given in U.S. inches  
1 inch = 25.4 mm

# TRACTOR - - MODEL NUMBER XT24H42LT (96012004201)

## SEAT ASSEMBLY



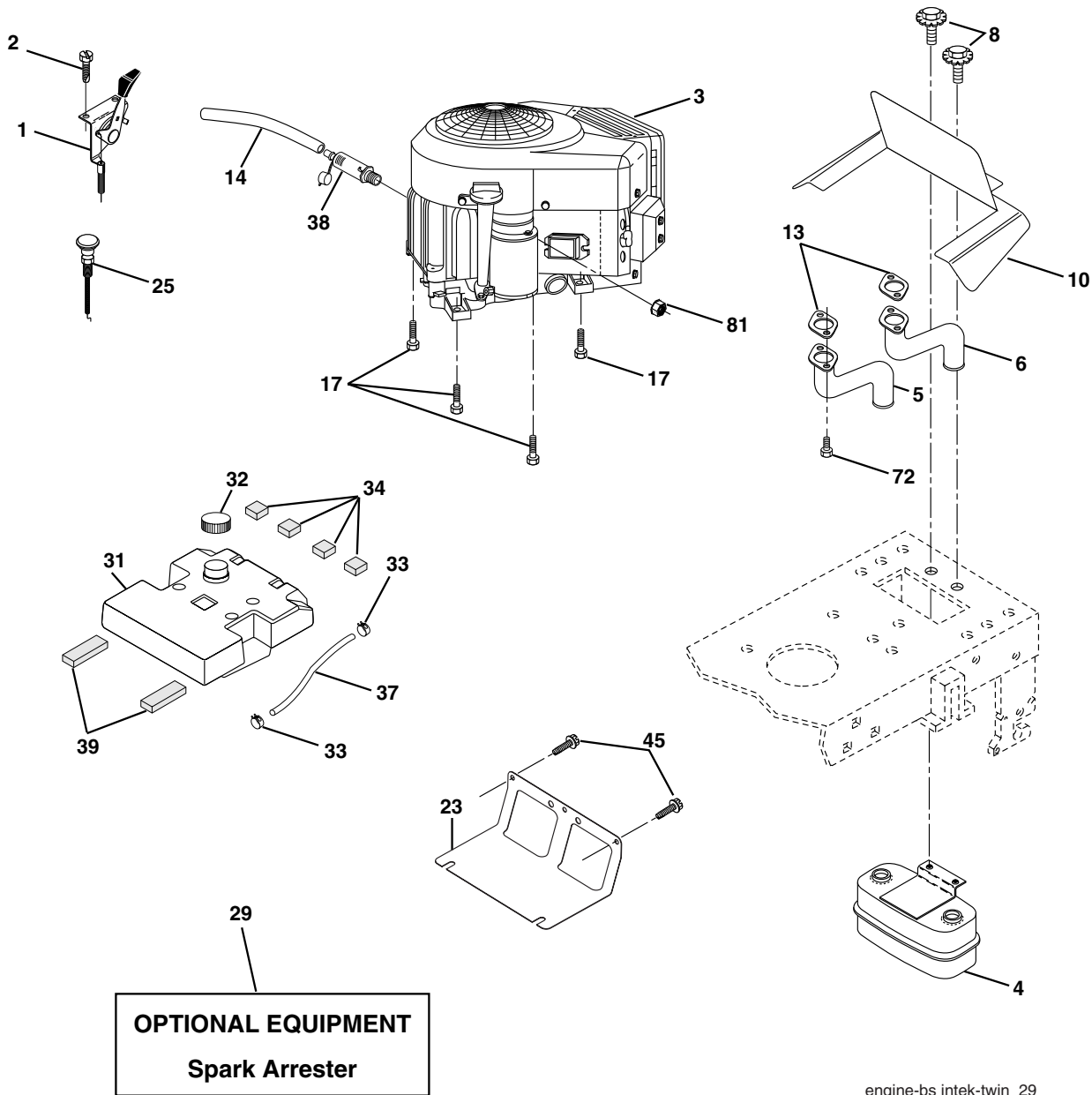
| KEY NO. | PART NO. | DESCRIPTION                    |
|---------|----------|--------------------------------|
| 1       | 188705   | Seat                           |
| 2       | 180166   | Bracket Pivot Seat             |
| 3       | 71110616 | Bolt Fin Hex 3/8-16 unc x 1    |
| 4       | 19131610 | Washer 13/32 x 1 x 10 Ga.      |
| 5       | 145006   | Clip Push-In                   |
| 6       | 73800600 | Nut Hex w/Ins. 3/8-16 unc      |
| 7       | 124181X  | Spring Seat Cprsn 2 250 Blk Zi |
| 8       | 17000616 | Screw 3/8-16 x 1.5 Smgml       |
| 9       | 19131614 | Washer 13/32 x 1 x 14 Ga.      |
| 10      | 180186   | Pan Seat                       |
| 11      | 166369   | Knob Seat                      |
| 12      | 174648   | Bracket Mounting Switch        |

| KEY NO. | PART NO. | DESCRIPTION                     |
|---------|----------|---------------------------------|
| 13      | 121248X  | Bushing Snap Blk Nyl 50 Id      |
| 14      | 72050412 | Bolt Rdhd Sqnk 1/4-20 x 1-1/2   |
| 15      | 134300   | Spacer Split 28 x 96            |
| 16      | 121250X  | Spring Cprsn                    |
| 17      | 123976X  | Nut Lock 1/4 Lge Flg Gr. 5 Zinc |
| 21      | 171852   | Bolt Shoulder 5/16-18 unc       |
| 22      | 73800500 | Nut Hex Lock W/Ins 5/16-18      |
| 24      | 19171912 | Washer 17/32 x 1-3/16 x 12 Ga.  |

**NOTE:** All component dimensions given in U.S. inches  
1 inch = 25.4 mm

# TRACTOR - - MODEL NUMBER XT24H42LT (96012004201)

## ENGINE



engine-bs intek-twin\_29

| KEY NO. | PART NO.   | DESCRIPTION  |
|---------|------------|--|
| 1       | 170771     | Control, Throttle/Choke                                      |
| 2       | 17720408   | Screw Thd Cut 1/4-20 x 1/2                                   |
| 3       | -----      | Engine Briggs Model 445677<br>(Order Parts from Engine Mfg.) |
| 4       | 149723     | Muffler  |
| 5       | 159955     | Tube Exhaust LH  |
| 6       | 160589     | Tube Exhaust RH  |
| 8       | 171877     | Bolt 5/16-18 unc x 3/4 w/Sems                                |
| 10      | 162797     | Shield Browning  |
| 13      | 165391     | Muffler Gasket   |
| 14      | 148456     | Tube Oil Drain   |
| 17      | 17060624   | Screw 3/8-16 x 1-1/2   |
| 23      | 169837     | Shield, Browning/Debris Guard                                |
| 25      | 187766X428 | Control Choke  |
| 29      | 137180     | Arrester, Spark  |
| 31      | 157103     | Tank, Fuel   |
| 32      | 161696     | Cap Gauge, Fuel  |
| 33      | 123487X    | Clamp, Hose Blk  |

| KEY NO. | PART NO. | DESCRIPTION                       |
|---------|----------|-----------------------------------|
| 34      | 106082X  | Pad Spacer 1x1x1                  |
| 37      | 8543R    | Line, Fuel                        |
| 38      | 181654   | Plug Drain Oil Easy               |
| 39      | 109227X  | Pad Idler 1.75 x .75 x .06        |
| 45      | 17000612 | Screw Hex Wsh Thdrol 3/8-16 x 3/4 |
| 72      | 183906   | Screw 5/16-18 x 1                 |
| 81      | 73510400 | Nut Keps Hex 1/4-20 unc           |

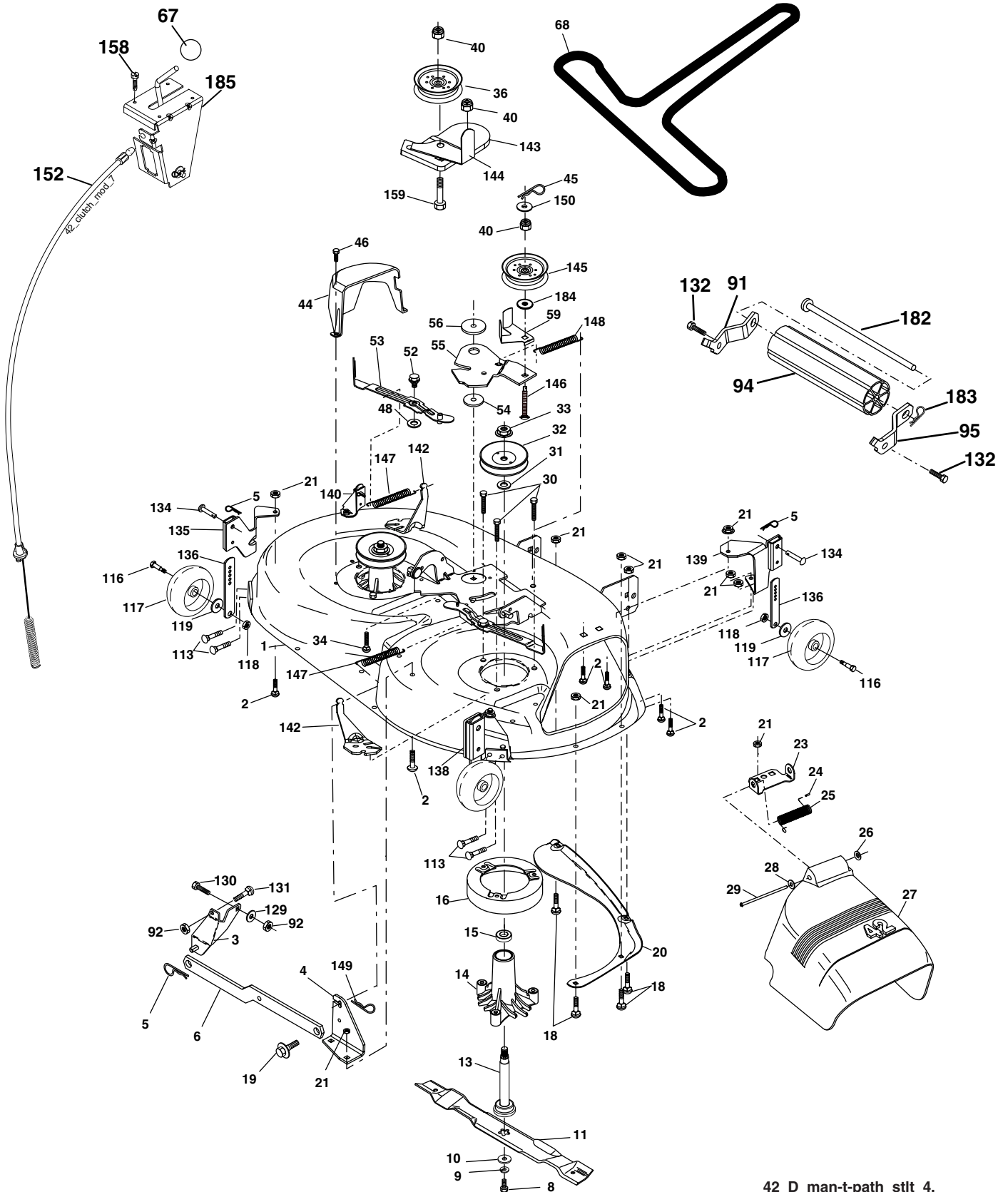
**NOTE:** All component dimensions given in U.S. inches  
1 inch = 25.4 mm

For engine service and replacement parts, call the toll free number for your engine manufacturer listed below:

|                   |                |
|-------------------|----------------|
| Briggs & Stratton | 1-800-233-3723 |
| Kohler Co.        | 1-800-544-2444 |
| Tecumseh Products | 1-800-558-5402 |
| Honda Engines     | 1-800-426-7701 |
| Kawasaki          | 1-949-460-5688 |

# TRACTOR - - MODEL NUMBER XT24H42LT (96012004201)

## MOWER DECK



42\_D\_man-t-path\_stlt\_4.

# TRACTOR - - MODEL NUMBER XT24H42LT (96012004201)

## MOWER DECK

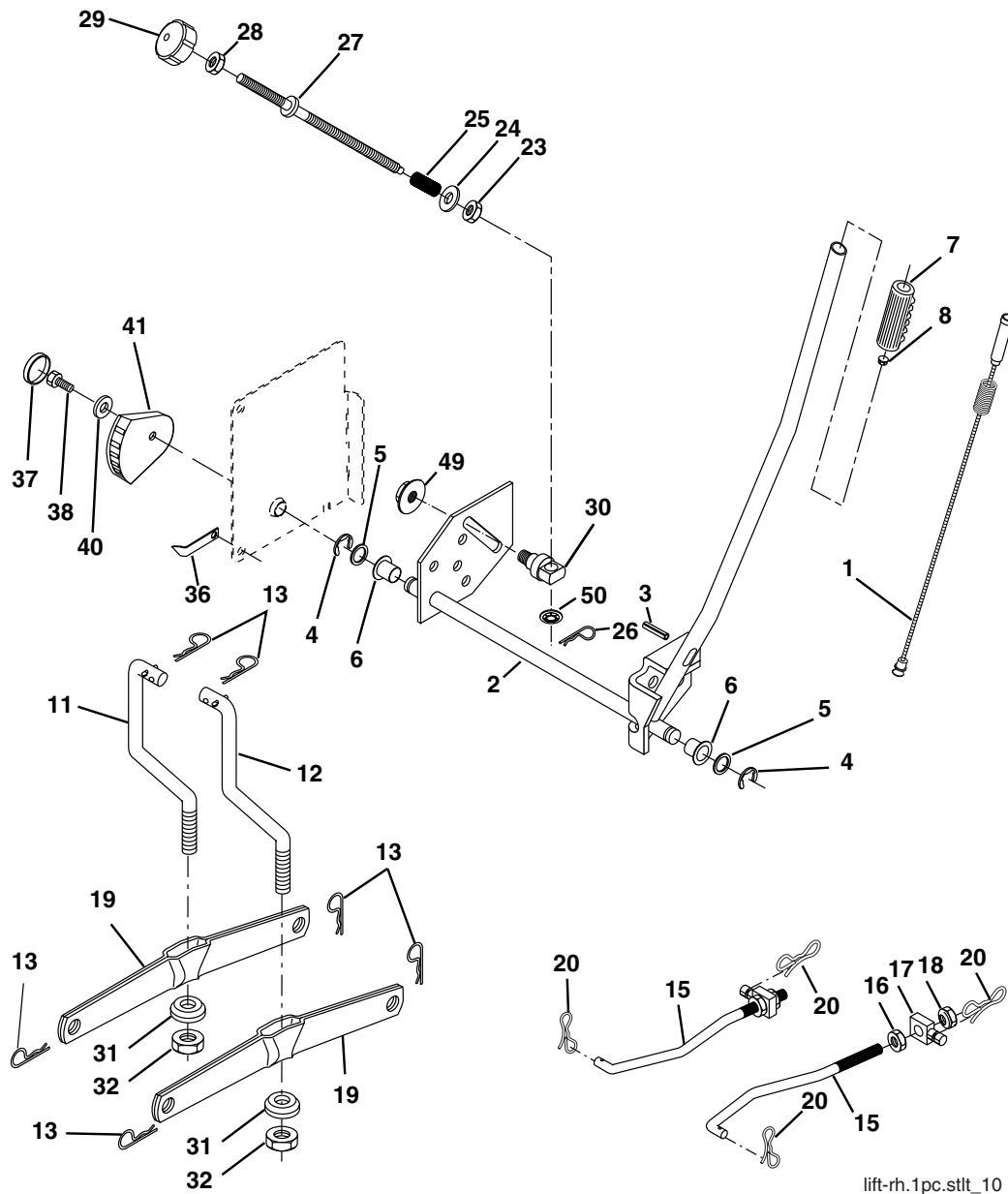
| KEY NO. | PART NO.   | DESCRIPTION  | KEY NO. | PART NO. | DESCRIPTION  |
|---------|------------|--|---------|----------|--|
| 1       | 182032     | Mower Deck Assembly, 42"                                   | 59      | 141043   | Guard TUV Idler  |
| 2       | 72140506   | Bolt   | 68      | 144959   | V-Belt, 42" Mower  |
| 3       | 138017     | Bracket Asm Fr. Sway Bar 3/42                              | 91      | 1880532  | Bracket Nose Roller LH   |
| 4       | 165460     | Bracket Asm Deck 42" Sway Bar                              | 92      | 73800600 | Nut Lock W/Ins 3/8-16 unc  |
| 5       | 4939M      | Retainer Spring  | 94      | 132264   | Roller Nose  |
| 6       | 178024     | Bar Sway Deck  | 95      | 180533   | Bracket Nose Roller RH   |
| 8       | 850857     | Bolt 3/8-24 x 1.25 Gr. 8 patched                           | 113     | 17000510 | Screw 5/16-18  |
| 9       | 10030600   | Washer, Lock   | 116     | 4898H    | Bolt, Shoulder   |
| 10      | 140296     | Washer, Hardened   | 117     | 188606   | Wheel, Gauge   |
|         |            | (The following Blades are available)                       | 118     | 73930600 | Nut Centerlock 3/8-16  |
| 11      | 138971     | Blade Mower 42" Hi-Lift (for bagging and discharging)      | 119     | 19121414 | Washer 3/8 x 7/8 x 14 Ga.  |
| --      | 134149     | Blade, Mulching 42" Std (for mulching mowers only)         | 129     | 19131312 | Washer 13/32 x 13/16 x 12 Ga.  |
| --      | 139775     | Blade Mulching 42" Premium (For better wear when mulching) | 130     | 74780616 | Bolt Fin HEX 3/8-16 unc x 1 Gr. 5  |
| 13      | 137645     | Shaft Assembly, Mandrel, Vented                            | 131     | 72140608 | Bolt RDHD SQNK 3/8-16 unc x 1  |
| 14      | 128774     | Housing, Mandrel, Vented                                   | 132     | 17000612 | Screw Hexwsh Thdr. 3/8-16 x 3/4  |
| 15      | 110485X    | Bearing, Ball, Mandrel                                     | 134     | 156941   | Pin Head Rivet   |
| 16      | 174493     | Stripper, Mandrel Deck                                     | 135     | 159765   | Bracket Asm Wheel Ga. Rear LH  |
| 18      | 72140505   | Bolt, Carriage 5/16-18 x 5/8                               | 136     | 155986   | Bar Adjusting Gauge Wheel  |
| 19      | 132827     | Bolt, Shoulder   | 138     | 159763   | Bracket Asm Wheel Ga. Rear RH  |
| 20      | 159770     | Baffle, Vortex   | 139     | 159767   | Bracket Asm Wheel Ga. Front RH   |
| 21      | 73680500   | Nut  | 140     | 159768   | Bracket Asm Wheel Ga. Front LH   |
| 23      | 177563     | Bracket, Deflector Mower 42"                               | 142     | 165890   | Arm Spring Brake Mower   |
| 24      | 105304X    | Cap, Sleeve 80 x 112 Blk Mower                             | 143     | 157109   | Bracket Arm Idler 42"  |
| 25      | 123713X    | Spring, Torsion, Deflector 2 52                            | 144     | 158634   | Keeper Belt 42" Clutch Cable   |
| 26      | 110452X    | Nut, Push Phos & Oil                                       | 145     | 165888   | Pulley Idler Flat  |
| 27      | 130968X428 | Shield, Deflector 42" Blk                                  | 146     | 171977   | Bolt Carriage Idler  |
| 28      | 19111016   | Washer 11/32 x 5/8 x 16 Ga.                                | 147     | 131335   | Spring Extention   |
| 29      | 131491     | Rod, Hinge 42" 6 75 W/G                                    | 148     | 169022   | Spring Return Idler  |
| 30      | 173984     | Screw Thdrol   | 149     | 165898   | Retainer Spring Yellow   |
| 31      | 187690     | Washer, Spacer Mower Vented                                | 150     | 19091210 | Washer 9/32 x 3/4 x 10 Ga.   |
| 32      | 153535     | Pulley, Mandrel  | 152     | 169676   | Cable Clutch   |
| 33      | 178342     | Nut, Toplock   | 158     | 17720408 | Screw Thd Cut 1/4-20 x 1/2   |
| 34      | 72110612   | Bolt Carr SH 3/8-16 x 1-1/2 Gr.5                           | 159     | 72140614 | Bolt Rdhd Sqn 3/8-16 unc x 1-3/4   |
| 36      | 131494     | Pulley, Idler, Flat  | 182     | 179126   | Rod Roller Nose  |
| 40      | 73900600   | Nut Lock 3/8-16  | 183     | 163552   | Retainer Spring  |
| 44      | 140088     | Guard, Mandrel, LH   | 184     | 19131410 | Washer 13/32 x 7/8 x 10 Ga.  |
| 45      | 4497H      | Retainer   | 185     | 188234   | Head Asm. Cable Clutch   |
| 46      | 137729     | Screw, Thdrol 1/4-20 x 5/8 T                               | --      | 130794   | Mandrel Assembly (Includes Housing Shaft and Shaft Hardware Only - Pulley Not Included)  |
| 48      | 133944     | Washer Hardened  | --      | 185772   | Replacement Mower, Complete (Std. deck Order separately gauge wheel and nose roller componants Key Nos. 191, 94-95,16-119, 132, 183) |
| 52      | 139888     | Bolt Shld 5/16-18  |         |          |  |
| 53      | 184907     | fArm Asm Brake   |         |          |  |
| 54      | 178515     | Washer, Hardened   |         |          |  |
| 55      | 155046     | Arm, Idler   |         |          |  |
| 56      | 165723     | Spacer, Retainer   |         |          |  |
| 67      | 149846     | Knob   |         |          |  |

**NOTE:** All component dimensions given in U.S. inches  
1 inch = 25.4 mm



# TRACTOR - - MODEL NUMBER XT24H42LT (96012004201)

## MOWER LIFT



lift-rh.1pc.stlt\_10

| KEY NO. | PART NO. | DESCRIPTION                  |
|---------|----------|------------------------------|
| 1       | 198417   | Plunger Asm.                 |
| 2       | 198070   | Shaft Asm Lift RH w/Inf      |
| 3       | 188822   | Pin Groove 2"                |
| 4       | 12000002 | E Ring #5133-62              |
| 5       | 19211621 | Washer 21/32 x 1 x 21 Ga.    |
| 6       | 120183X  | Bearing Nylon Blk 629 Id     |
| 7       | 125631X  | Grip Handle                  |
| 8       | 124526X  | Button Plunger               |
| 11      | 139865   | Link Lift LH Fixed Length    |
| 12      | 139866   | Link Lift RH Fixed Length    |
| 13      | 4939M    | Retainer Spring              |
| 15      | 173288   | Link Front                   |
| 16      | 73350800 | Nut Jam Hex 1/2-13 unc       |
| 17      | 175689   | Trunnion                     |
| 18      | 73800800 | Nut Lock W/Wsh 1/2-13 unc    |
| 19      | 139868   | Arm Suspension Rear          |
| 20      | 194209   | Pin Cotter 7/16 Bow Tie Lock |
| 23      | 110807X  | Nut Special                  |

| KEY NO. | PART NO. | DESCRIPTION                 |
|---------|----------|-----------------------------|
| 24      | 19131016 | Washer 13/32 x 5/8 x 16 Ga. |
| 25      | 2876H    | Spring Infin. Height        |
| 26      | 169484   | Retainer Clip               |
| 27      | 126971X  | Rod Adjust Lift             |
| 28      | 73350600 | Nut Hex Jam 3/8-16 unc      |
| 29      | 138057   | Knob Infin. 3/8-16 unc      |
| 30      | 150233   | Trunnion Infi. Height       |
| 31      | 169865   | Bearing Pvt Lift            |
| 32      | 73540600 | Nut Crownlock 3/8 - 24      |
| 36      | 155097   | Pointer Height Indicator    |
| 37      | 123935X  | Plug Hole                   |
| 38      | 17060516 | Screw 5/16-18 x 1           |
| 40      | 19112410 | Washer 11/32 x 1-1/2 10 Ga. |
| 41      | 155098   | Indicator Height            |
| 49      | 145212   | Nut Hexflange Lock          |
| 50      | 110452X  | Nut Push                    |

**NOTE:** All component dimensions given in U.S. inches  
1 inch = 25.4 mm