

ILLUSTRATED PARTS LIST

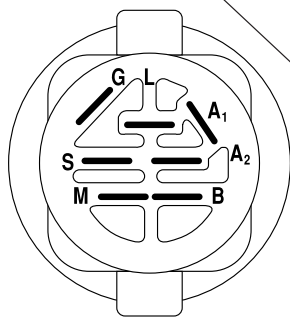
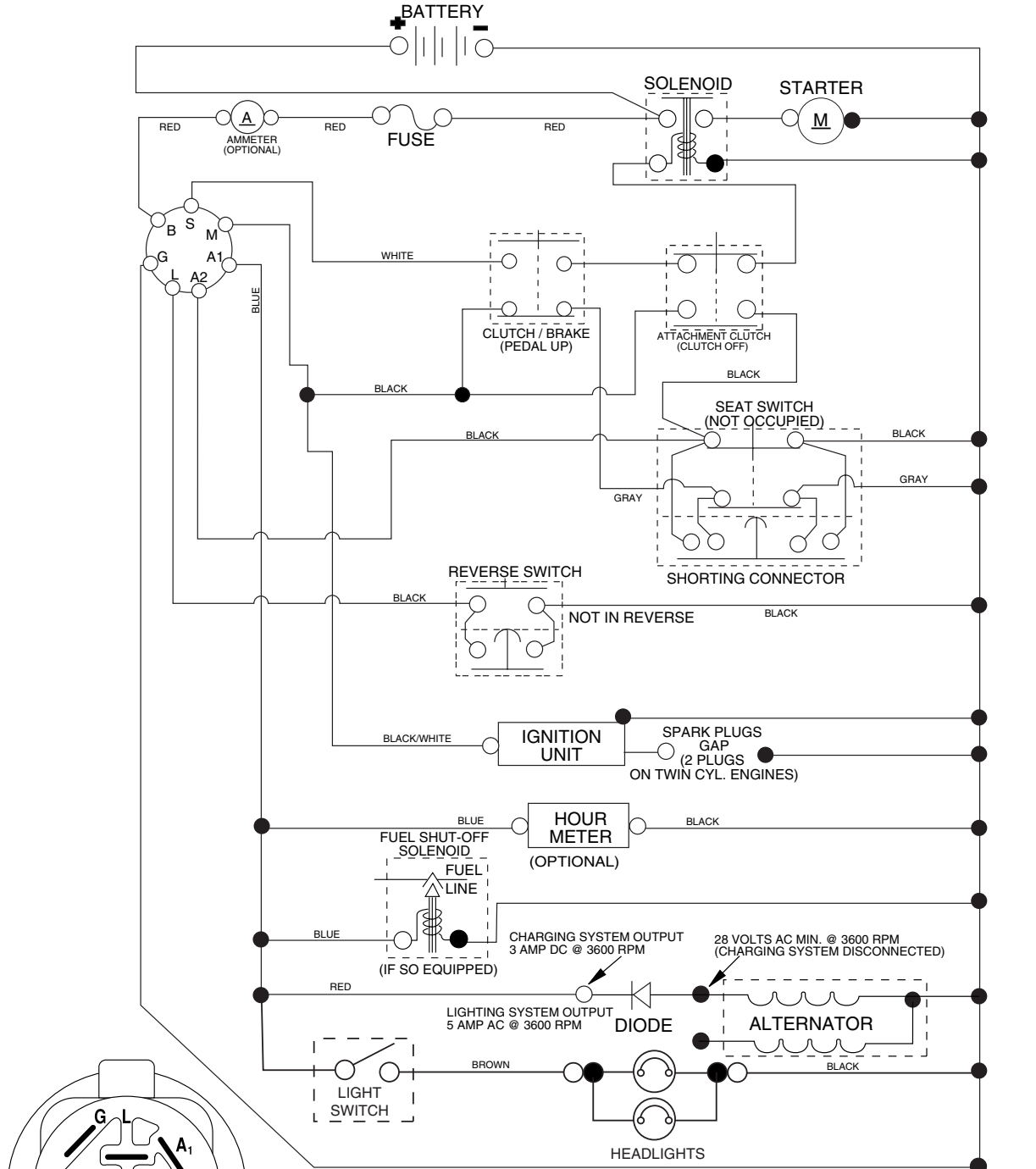
MFG ID NO. 96012006000

CUSTOMER CATALOG NO. XT185H42LT

TRACTOR - - MODEL NUMBER XT185H42LT (96012006000)

SCHEMATIC

03059_197428



IGNITION SWITCH

POSITION	CIRCUIT "MAKE"
OFF	M+G+A1
RUN/OVERRIDE	B+A1
RUN	B+A1 L+A2
START	B + S + A1

03059

NOTE

YOUR TRACTOR IS EQUIPPED WITH A SPECIAL ALTERNATOR SYSTEM. THE LIGHTS ARE NOT CONNECTED TO THE BATTERY, BUT HAVE THEIR OWN ELECTRICAL SOURCE. BECAUSE OF THIS, THE BRIGHTNESS OF THE LIGHTS WILL CHANGE WITH ENGINE SPEED. AT IDLE THE LIGHTS WILL DIM. AS THE ENGINE IS SPEEDED UP, THE LIGHTS WILL BECOME THEIR BRIGHTEST.

● NON-REMOVABLE CONNECTIONS

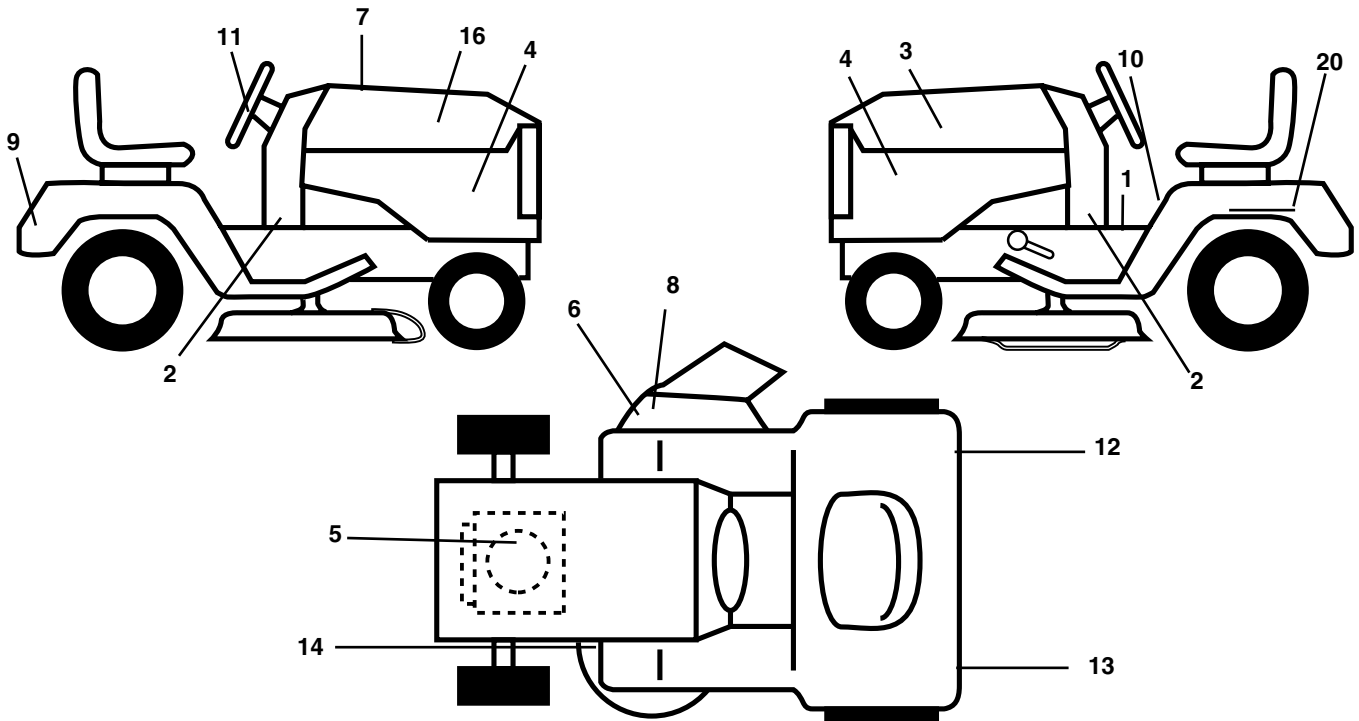
○ REMOVABLE CONNECTIONS

WIRING INSULATED CLIPS

NOTE: IF WIRING INSULATED CLIPS WERE REMOVED FOR SERVICING OF UNIT, THEY SHOULD BE REPLACED TO PROPERLY SECURE YOUR WIRING.

TRACTOR - - MODEL NUMBER XT185H42LT (96012006000)

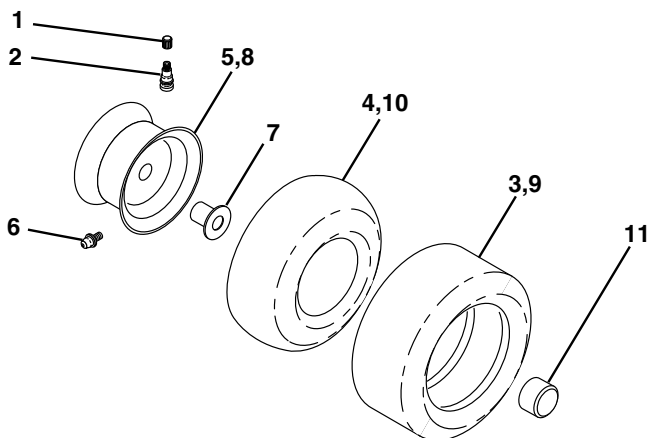
DECALS



KEY NO.	PART NO.	DESCRIPTION
1	193939	Decal, Oper
2	402436	Decal, Lower Dash
3	197540	Decal, Hood LH
4	400381	Decal, Side Panel Logo
5	189288	Decal, HP Engine
6	170563	Decal, Warning, Keep Hand Away
7	196067	Decal, Replacement Parts
8	179128	Decal, Deck "B" 42"
9	196674	Decal, Fender Logo
10	157140	Decal, Fender Danger E/F
11	196673	Decal, Ins Strg Whl
12	173587	Decal, Fend Reflector Rh

KEY NO.	PART NO.	DESCRIPTION
13	173589	Decal, Fend Reflector Lh
14	160396	Decal, V-Belt Schematic
16	197538	Decal, Hood Rh
20	145005	Decal, Bat Dan/Psn
--	179768X428	Pad Footrest LH
--	179769X428	Pad Footrest RH
--	166960	Decal, Bypass
--	166980	Decal, Chass Disconnect
--	138311	Decal, Handle Lft Height Adjust
--	403780	Manual Operator's E&F
--	403781	Manual Parts

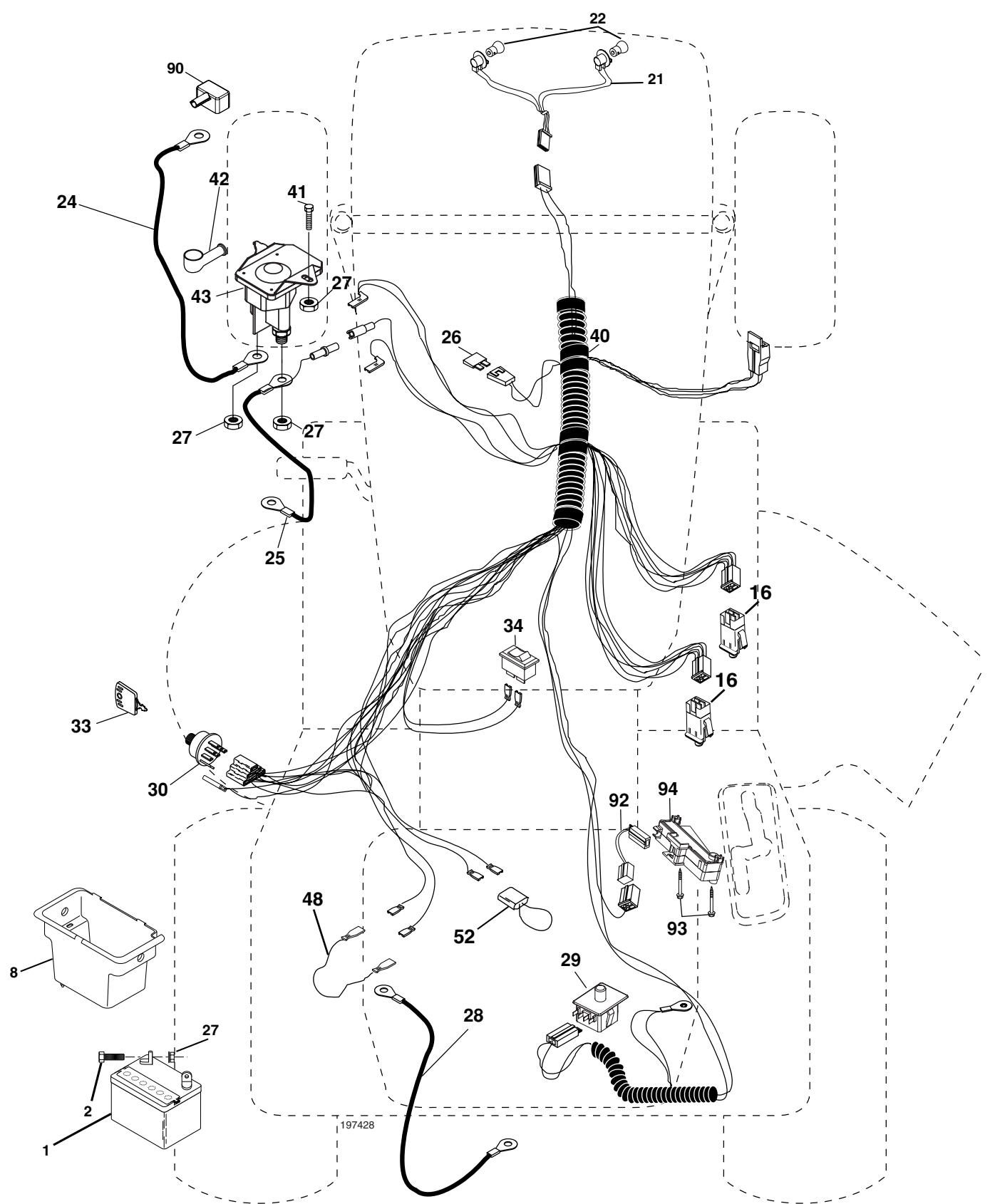
WHEELS AND TIRES



KEY NO.	PART NO.	DESCRIPTION
1	59192	Cap Valve Tire
2	65139	Stem Valve
3	106222X	Tire F T 15 x 6 0 - 6 Service
4	59904	Tube Front (Service Item Only)
5	106732X624	Rim Asm 6" front Service
6	278H	Fitting Grease (Front Wheel Only)
7	9040H	Bearing Flange (Front Wheel nly)
8	106108X624	Rim Asm 8" rear Service
9	106268X	Tire R T 18 x 9.5-8 Service
10	7152J	Tube Rear (Service Item Only)
11	104757X428	Cap Axle Blk 1 50 x 1 00
--	144334	Sealant, Tire (10 oz. Tube)

NOTE: All component dimensions given in U.S. inches
1 inch = 25.4 mm

TRACTOR - - MODEL NUMBER XT185H42LT (96012006000) ELECTRICAL



197428

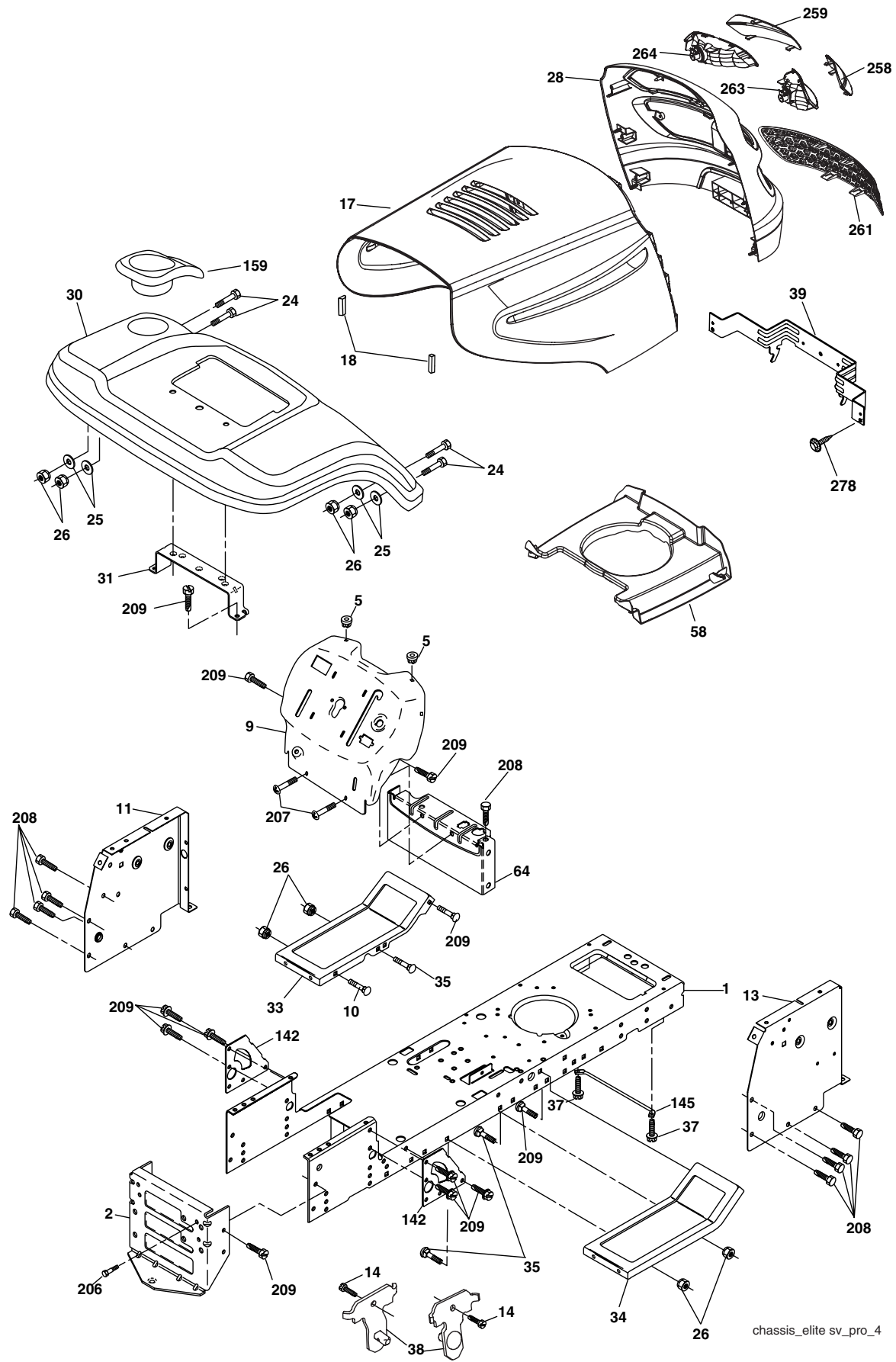
TRACTOR - - MODEL NUMBER XT185H42LT (96012006000)
ELECTRICAL

KEY NO.	PART NO.	DESCRIPTION
1	163465	Battery
2	74760412	Bolt Hex Hd 1/4-20 unc x 3/4
8	176689	Box Battery
16	176138	Switch Interlock
21	183759	Harness Socket Light
22	4152J	Bulb, Light # 1156
24	4799J	Cable Battery
25	146147	Cable Battery 6 Ga. Red w/16 wire 44"
26	175158	Fuse
27	73510400	Nut Keps Hex 1/4-20 unc
28	4207J	Cable Ground 12" Blk 6 Ga.
29	192749	Switch Seat
30	193350	Switch Ign
33	140401	Key Ign Molded Generic
34	110712X	Switch Light/Reset
40	197428	Harness Ign
41	71110408	Bolt Fin Hex 1/4-20 unc x 1/2
42	131563	Cover Terminal Red
43	192507	Solenoid
48	140844	Adapter Ammeter
52	141940	Protection Loop
90	180449	Cover Terminal
92	196615	Harness Pigtail Reverse Switch
93	192540	Screw Plastite 10-14 x 2.0
94	191834	Module Reverse ROS

NOTE: All component dimensions given in U.S. inches
1 inch = 25.4 mm

TRACTOR - - MODEL NUMBER XT185H42LT (96012006000)

CHASSIS



chassis_elite sv_pro_4

TRACTOR - - MODEL NUMBER XT185H42LT (96012006000)

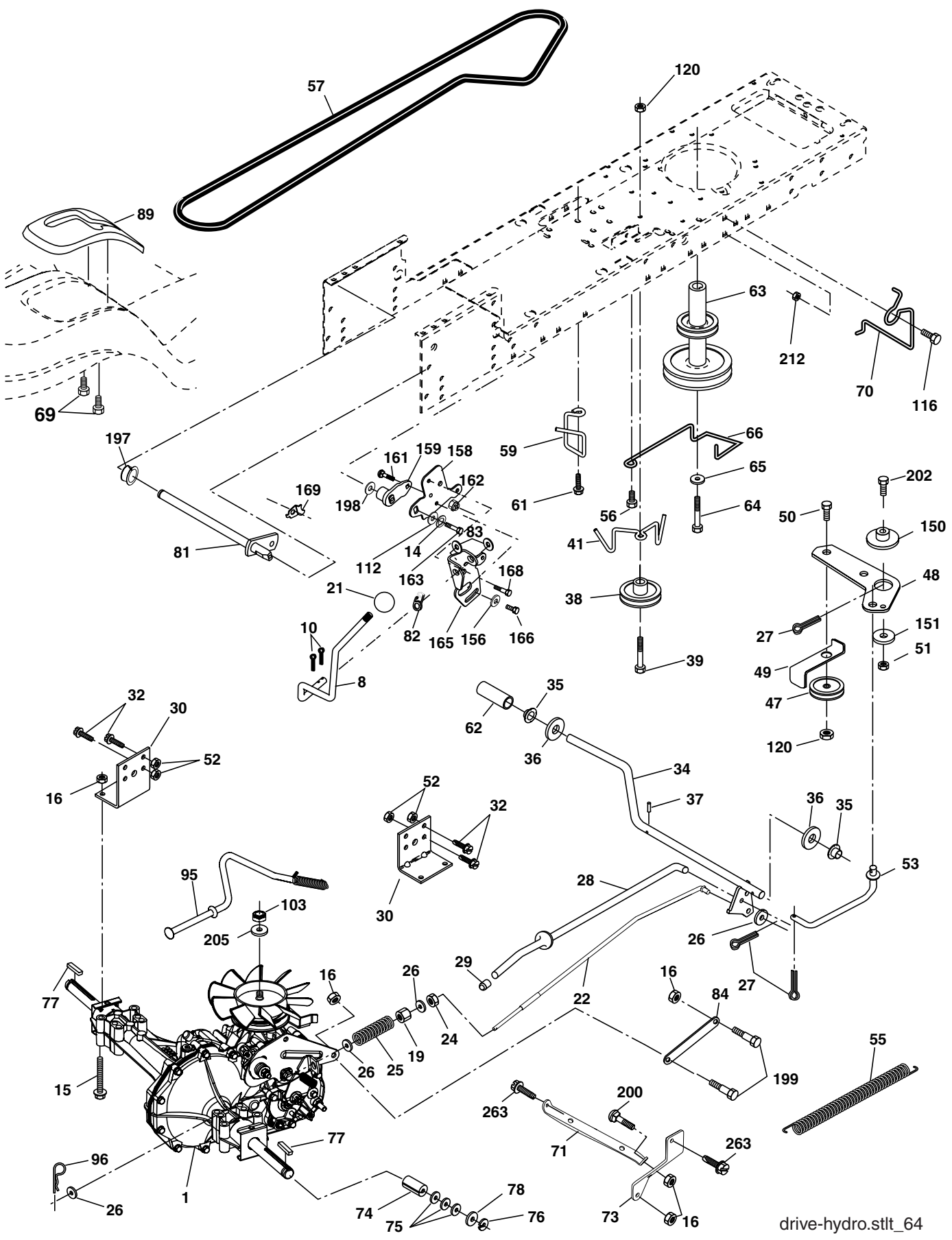
CHASSIS

KEY NO.	PART NO.	DESCRIPTION
1	174619	Chassis
2	176554	Drawbar
5	155272	Bumper Hood/Dash
9	193510X010	Dash P/L
10	72140608	Bolt Carriage 3/8-16 x 1
11	174996	Panel Dash Lh
13	179174X010	Panel Dash Rh
14	17490608	Screw Thdrol 3/8-16 x 1/2
17	183393X428	Hood
18	184921	Bumper Hood
24	74780616	Bolt Fin Hex 3/8-16 unc x 1 Gr. 5
25	19131312	Washer 13/32 x 13/16 x 12 Ga.
26	73800600	Nut Lock Hex W/Ins 3/8-16 unc
28	197482	Grille/Lens Asm (Includes Nos. 258, 259, 261, 263, 264)
30	192528X428	Fender
31	136619	Bracket Fender
33	179716X428	Footrest LH
34	179717X428	Footrest RH
35	72110606	Bolt RDHD SHT SQNK 3/8-16 x 3/4
37	17490508	Screw Thdrol 6/16-18 x 1/2 TYT
38	175710	Bracket Asm Pivot Mower Rear
39	174714	Bracket Pivot
58	184322	Duct Air
64	154798	Dash Lower STLT
142	175702	Plate Reinforcement STLT
145	156524	Rod Pivot Chassis/Hood
159	169473X428	Cupholder
206	170165	Bolt Shoulder 5/16-18
207	17670508	Screw Thdrol 5/16-18 x 1/2
208	17670608	Screw Thdrol 3/8-16 x 1/2
209	17000612	Screw Hexwsh Thdr 3/8-16 x 3/4
258	183835X599	Lens Grille Pro RH
259	183834X599	Lens Grille Pro LH
261	183829X428	Insert Grille
263	183833	Bezel Grille RH
264	183832	Bezel Grille LH
278	191611	Screw 10 x 3/4 Single Lead Hex
--	5479J	Plug BTN BIK
--	187801	Plug Dome Plastic

NOTE: All component dimensions given in U.S. inches
1 inch = 25.4 mm

TRACTOR - - MODEL NUMBER XT185H42LT (96012006000)

DRIVE



drive-hydro.stlt_64

TRACTOR - - MODEL NUMBER XT185H42LT (96012006000)

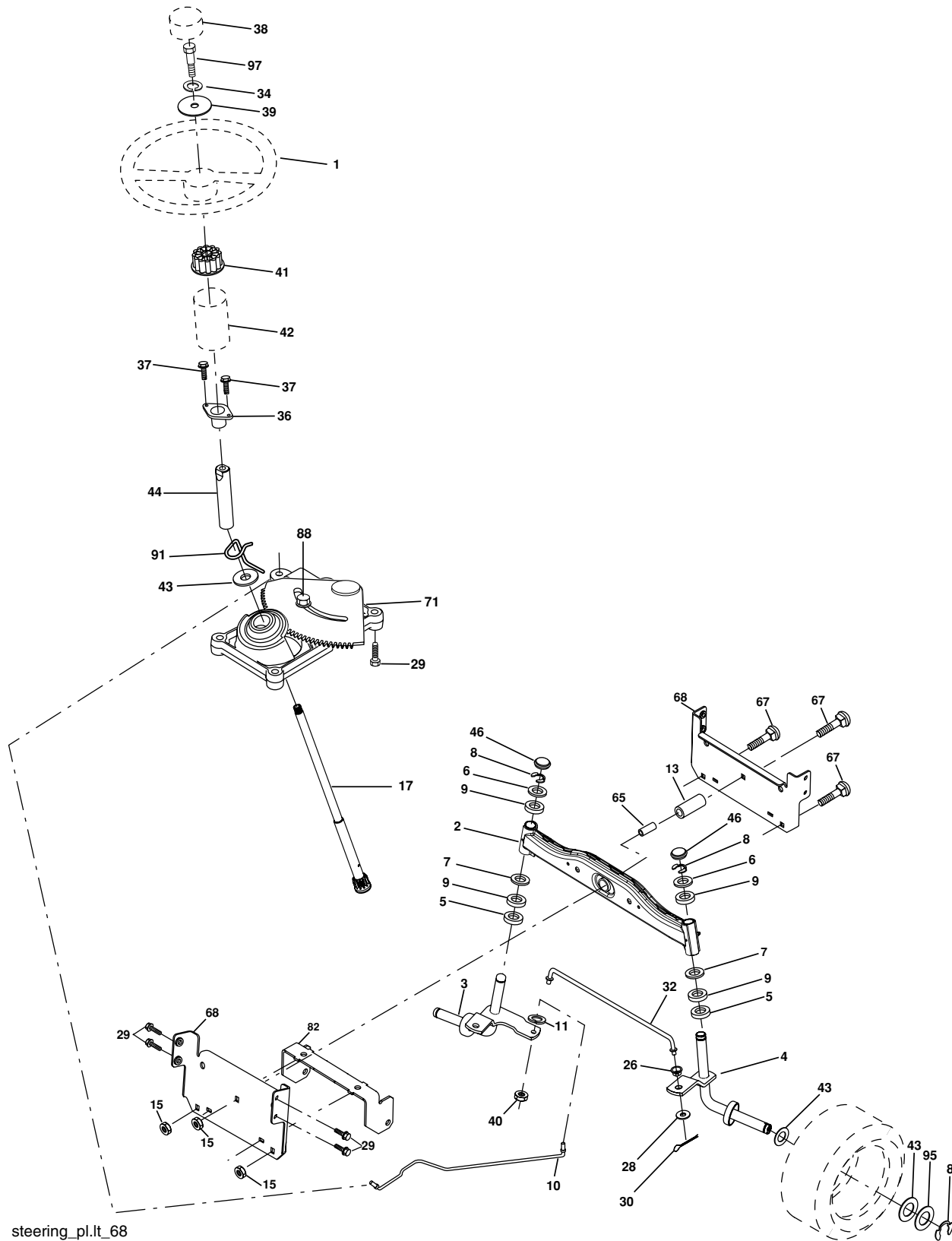
DRIVE

KEY NO.	PART NO.	DESCRIPTION	KEY NO.	PART NO.	DESCRIPTION
1	-----	Transaxle Hydro Gear 322-0510 (Order Parts From Transaxle Manufacturer)	69	142432	Screw 1/4 x 1/2 UNC
8	192706	Rod Shift	70	134683	Guide Belt
10	76020416	Pin Cotter 1/8 x 1 CAD	71	169183	Strap Torque LH
14	10040400	Washer Lock Hvy Helical	73	169182	Strap Torque RH
15	74490544	Bolt, Hex FLGHD 5/16-18 Gr. 5	74	137057	Spacer, Axle
16	73800500	Nut Lock Hex W/Ins 5/16-18 unc	75	121749X	Washer 25/32 x 1-1/4 x 16 Ga.
19	73800600	Nut Lock Hex W/Wsh 3/8-16 unc	76	12000001	E-Ring
21	130564	Knob	77	123583X	Key, Square
22	169498	Rod, Brake Hydro	78	121748X	Washer 25/32 x 1-5/8 x 16 Ga.
24	73350600	Nut	81	165596	Shaft Asm. Cross Hydro
25	106888X	Spring, Brake Rod	82	165711	Spring Torsion T/A
26	19131316	Washer	83	19171216	Washer 17/32 x 3/4 x 16 Ga.
27	76020412	Pin Cotter 1/8 x 3/4 CAD.	84	169843	Link Trans.
28	175765	Rod, Parking Brake	89	192056X428	Console, Shift
29	71673	Cap, Parking Brake	95	170201	Disconnect Asm. Rod Bypass
30	174973	Bracket, Transaxle	96	4497H	Retainer Spring 1" Zinc/Cad
32	74760512	Bolt Hex Hd 5/16-18 unc x 3/4	103	73940800	Nut Hex Jam toplock 1/4-20 UNF
34	175578	Shaft, Foot Pedal	112	19091210	Washer 9/32 x 3/4 x 10 Ga.
35	120183X	Bearing, Nylon	116	72140608	Bolt RDHD SQNK 3/8-16 unc x 1
36	19211616	Washer	120	73900600	Nut Lock Flg 3/8-16 unc
37	1572H	Pin, Roll	150	175456	Spacer Retainer
38	179114	Pulley, Composite	151	19133210	Washer 13/32 x 2 x 10 Ga.
39	72110622	Bolt Rdhd 3/8-16 unc x 2-3/4 Gr. 5	156	166002	Washer Srrted 5/16 ID x 1.125
41	175556	Keeper, Belt Idler	158	165589	Bracket Shift Mount
47	127783	Pulley, Idler, V-Groove	159	183900	Hub Shift
48	154407	Bellcrank Clutch Grnd Drv STL	161	72140406	Bolt Rdhd Sqnk 1/4-20 x 3/4 Gr. 5
49	123205X	Retainer, Belt	162	73680400	Nut Crownlock 1/4-20 unc
50	72110612	Bolt Carr Sh 3/8-16 x 1-1/2 Gr. 5	163	74780416	Bolt Hex Fin 1/4-20 unc x 1 Gr. 5
51	73680600	Nut Crownlock 3/8-16 unc	165	165623	Bracket Pivot Lever
52	73680500	Nut Crownlock 5/16-18 unc	166	17490510	Screw 5/16-18 x 5/8
53	199652	Link, Clutch	168	165492	Bolt Shoulder 5/16-18 x .561
55	105709X	Spring, Return, Clutch	169	165580	Plate Fastening Lt
56	17060620	Screw 3/8-16 x 1-1/4	197	169613	Nyliner Snap-In 5/8" ID
57	140294	V-Belt, Ground Drive	198	169593	Washer Nyl 7/8 ID x .105
59	169691	Keeper, Center Span	199	169612	Bolt Shoulder
61	17120614	Screw 3/8-16 x .875	200	72140508	Bolt Carr. 5/16-18 x 1
62	8883R	Cover, Pedal	202	72110614	Bolt Carr Sh 3/8-16 x 1-3/4 Gr. 5
63	175410	Pulley, Engine	205	19171616	Washer 17/31 x 1 x 16 Ga.
64	173937	Bolt Hex 7/16-20 x 4 x Gr. 5-1.5 Thr	212	145212	Nut Hex flange Lock
65	10040700	Washer	263	17000612	Screw Hex Wsh Thdr 3/8-16 x 3/4
66	154778	Keeper Belt Engine			

NOTE: All component dimensions given in U.S. inches
1 inch = 25.4 mm

TRACTOR - - MODEL NUMBER XT185H42LT (96012006000)

STEERING ASSEMBLY



steering_pl.lt_68

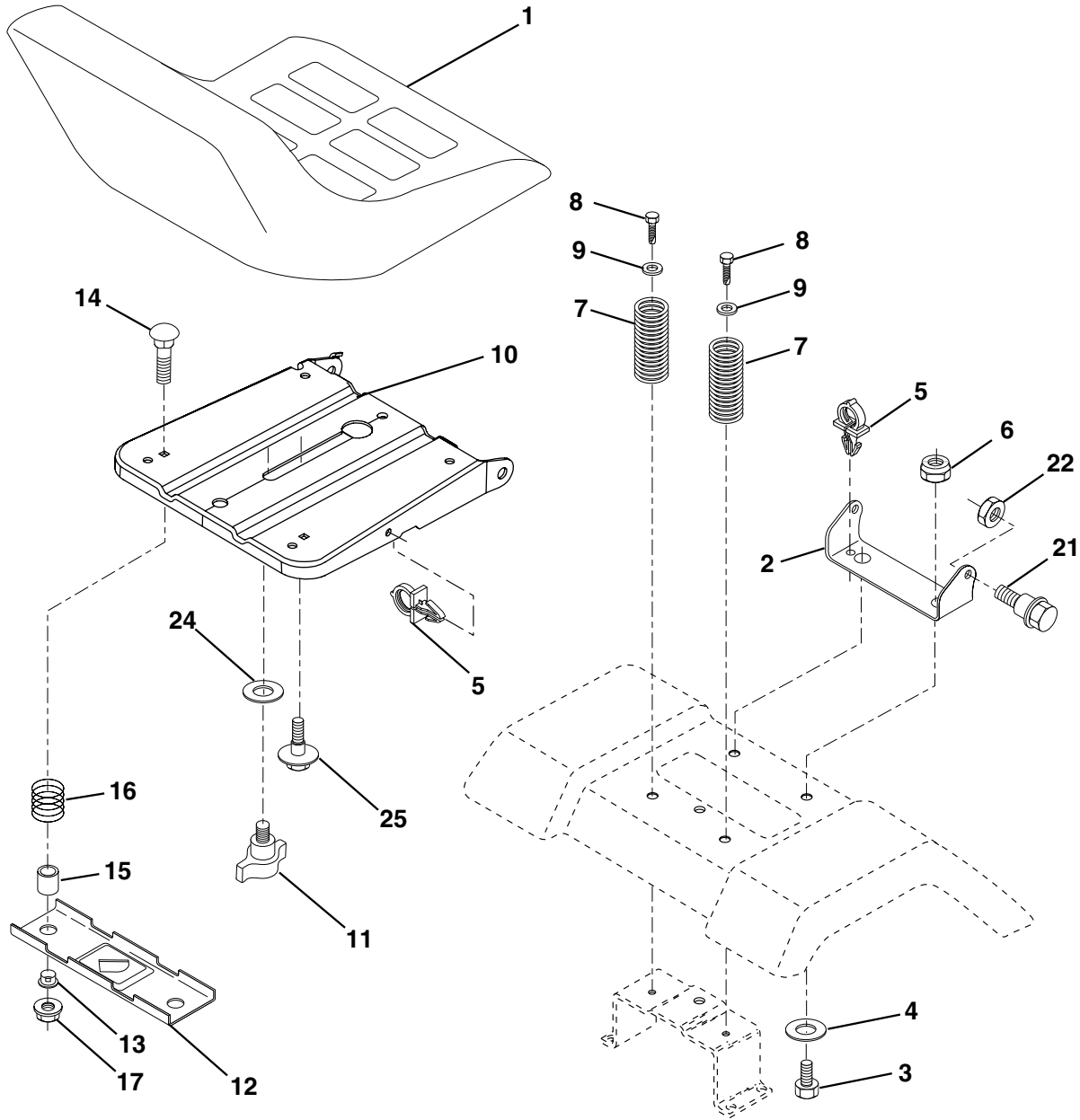
TRACTOR - - MODEL NUMBER XT185H42LT (96012006000)
STEERING ASSEMBLY

KEY NO.	PART NO.	DESCRIPTION
1	186093X428	Wheel Steering
2	195673	Axle Asm
3	169840	Spindle Asm LH
4	169839	Spindle Asm RH
5	6266H	Bearing Race Thrust Harden
6	121748X	Washer 25/32 x 1-5/8 x 16 Ga.
7	19272016	Washer 27/32 x 1-1/4 x 16 Ga.
8	12000029	Ring Klip #t5304-75
9	3366R	Bearing
10	175121	Link Drag
11	10040600	Washer Lock Hvy Hlcl Spr 3/8
13	136518	Spacer Brg Axle Front
15	145212	Nut Hex Flange Lock
17	190753	Shaft Asm Steering
26	126847X	Bushing Link Drag
28	19131416	Washer 13/32 x 7/8 x 16 Ga.
29	17000612	Screw 3/8-16 x .75
30	76020412	Pin Cotter 1/8 x 3/4
32	192757	Rod Tie
34	10040500	Washer Lock Hvy Hlcl Spr 5/16
36	155099	Bushing Strg
37	152927	Screw
38	186095X428	Insert Cap Strg Wh
39	19113812	Washer 11/32 ID x 2-3/8 OD 12 Ga.
40	73540600	Crownlock nut
41	186737	Adaptor Wheel Strg
42	145054X428	Boot Steering Dash
43	121749X	Washer 25/32 x 1 1/4 x 16 Ga.
44	190752	Extension Steering Shaft
46	121232X	Cap Spindle Fr Top Blk
65	160367	Spacer Brace Axle
67	72110618	Bolt RDHD SQNK 3/8-16 x 2 1/4
71	175146	Steering Asm
68	169827	Axle, Brace
82	199978	Bracket Susp Chassis Front
88	175118	Bolt Shoulder 7/16-20 unc
91	175553	Clip Steering
95	188967	Washer Harden .739 x 1.637 x .060
97	74780564	Bolt 5/16-18 unc x 4" L Gr. 5

NOTE: All component dimensions given in U.S. inches
1 inch = 25.4 mm

TRACTOR - - MODEL NUMBER XT185H42LT (96012006000)

SEAT ASSEMBLY



seat_lt.knob_13

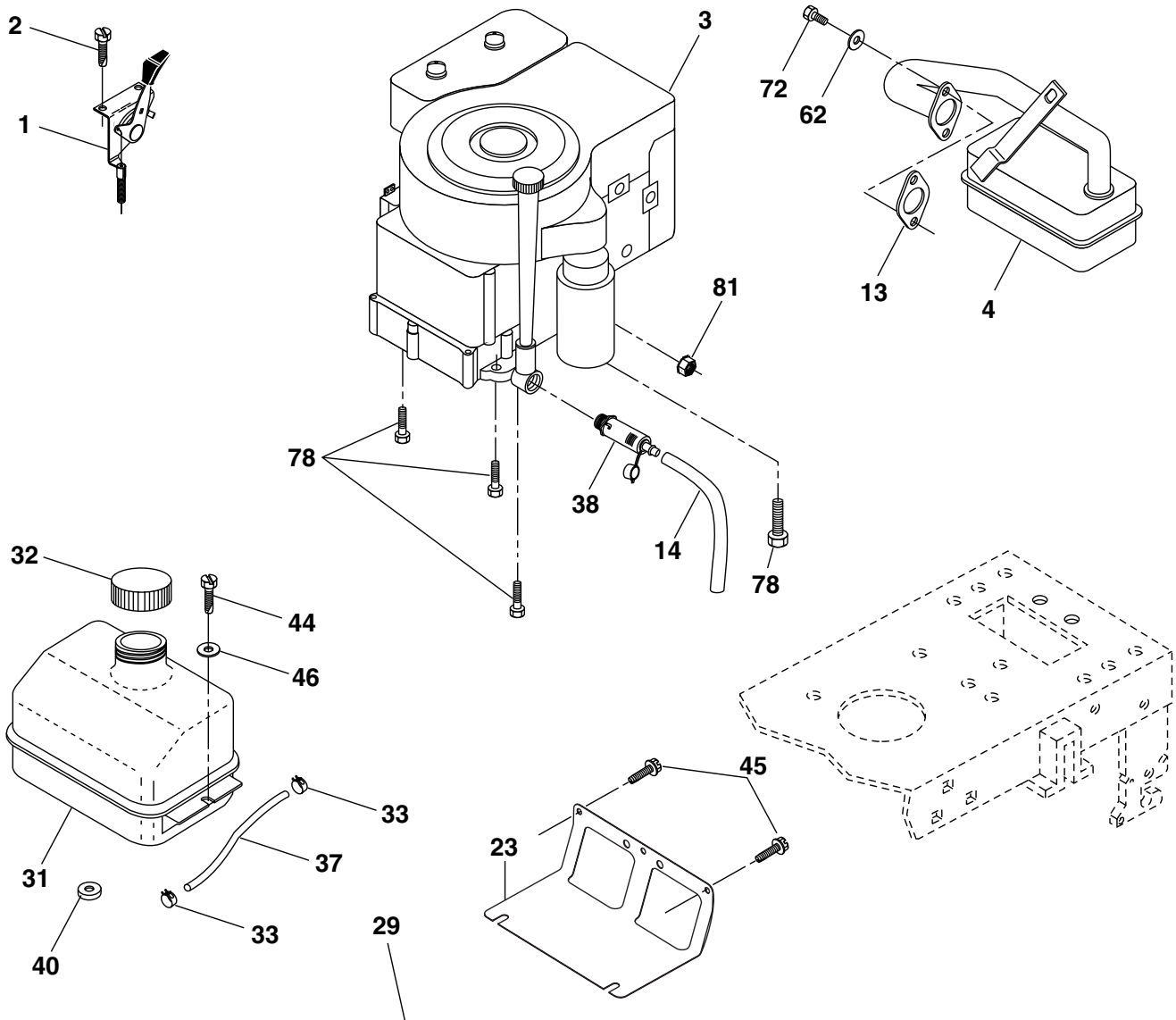
KEY NO.	PART NO.	DESCRIPTION
1	188712	Seat
2	140551	Bracket Pivot Seat 8 720
3	71110616	Bolt Fin Hex 3/8-16 unc x 1
4	19131610	Washer 13/32 x 1 x 10 Ga.
5	145006	Clip Push-In
6	73800600	Nut Hex w/Ins. 3/8-16 unc
7	124181X	Spring Seat Cprsn 2 250 Blk Zi
8	17000616	Screw 3/8-16 x 1.5 Smgml
9	19131614	Washer 13/32 x 1 x 14 Ga.
10	195530	Pan Seat
11	166369	Knob Seat
12	174648	Bracket Mounting Switch

KEY NO.	PART NO.	DESCRIPTION
13	121248X	Bushing Snap Blk Nyl 50 Id
14	72050412	Bolt Rdhd Sqnk 1/4-20 x 1-1/2
15	134300	Spacer Split 28x 88
16	121250X	Spring Cprsn
17	123976X	Nut Lock 1/4 Lge Flg Gr. 5 Zinc
21	171852	Bolt Shoulder 5/16-18 unc
22	73800500	Nut Hex Lock W/Ins 5/16-18
24	19171912	Washer 17/32 x 1-3/16 x 12 Ga.
25	127018X	Bolt Shoulder 5/16-18 x 62

NOTE: All component dimensions given in U.S. inches
1 inch = 25.4 mm

TRACTOR - - MODEL NUMBER XT185H42LT (96012006000)

ENGINE



OPTIONAL EQUIPMENT
Spark Arrester

engine-bs.1cyl_49

KEY NO.	PART NO.	DESCRIPTION
1	170551	Control, Throttle
2	17720408	Screw Hex Thd Cut 1/4-20 x 1/2
3	-----	Engine Briggs Model 31P777 (Order Parts from Engine Mfg.)
4	137352	Muffler
13	165291	Muffler Gasket
14	148456	Tube Oil Drain
23	169837	Shield, Browning/Debris Guard
29	137180	Arrester, Spark
31	187750	Tank, Fuel
32	197725	Cap, Fuel
33	123487X	Clamp, Hose Blk
37	401137	Line, Fuel
38	181654	Plug Drain Oil Easy
40	124028X	Bushing Snap
44	17670412	Screw Hex Wsh Thdrol 1/4-20 x 3/4

KEY NO.	PART NO.	DESCRIPTION
45	17000612	Screw Hex Wsh Thdrol 3/8-16 x 3/4
46	19091416	Washer 9/32 x 7/8 x 16 Ga.
62	10010500	Washer Split
72	192334	Screw 5/16-18 x 3/4
78	17060620	Screw 3/8-16 x 1-1/4
81	73510400	Nut Keps Hex 1/4-20 unc

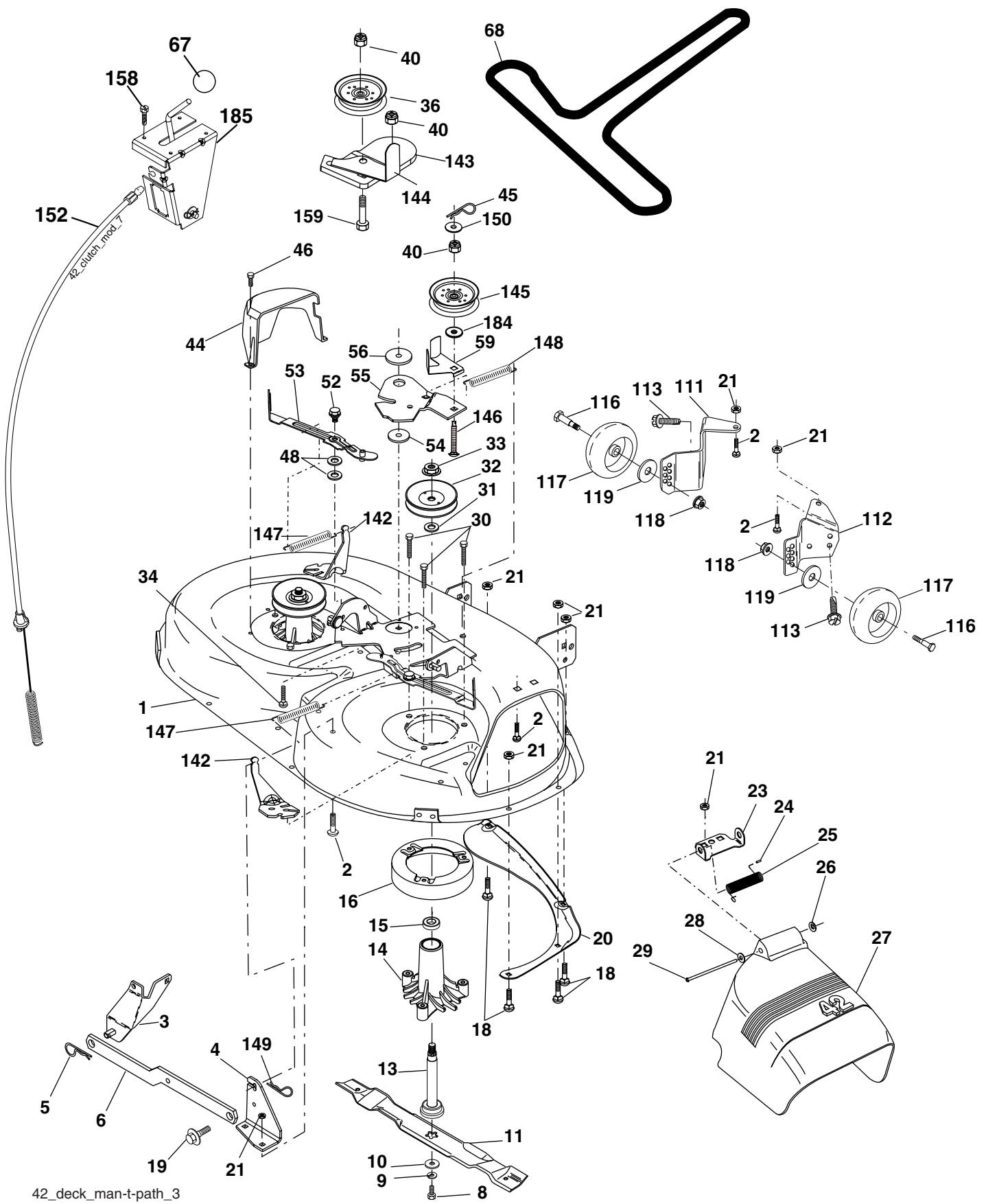
NOTE: All component dimensions given in U.S. inches
1 inch = 25.4 mm

For engine service and replacement parts, call the toll free number for your engine manufacturer listed below:

Briggs & Stratton	1-800-233-3723
Kohler Co.	1-800-544-2444
Tecumseh Products	1-800-558-5402
Honda Engines	1-800-426-7701
Kawasaki	1-949-460-5688

TRACTOR - - MODEL NUMBER XT185H42LT (96012006000)

MOWER DECK



42_deck_man-t-path_3

TRACTOR - - MODEL NUMBER XT185H42LT (96012006000)

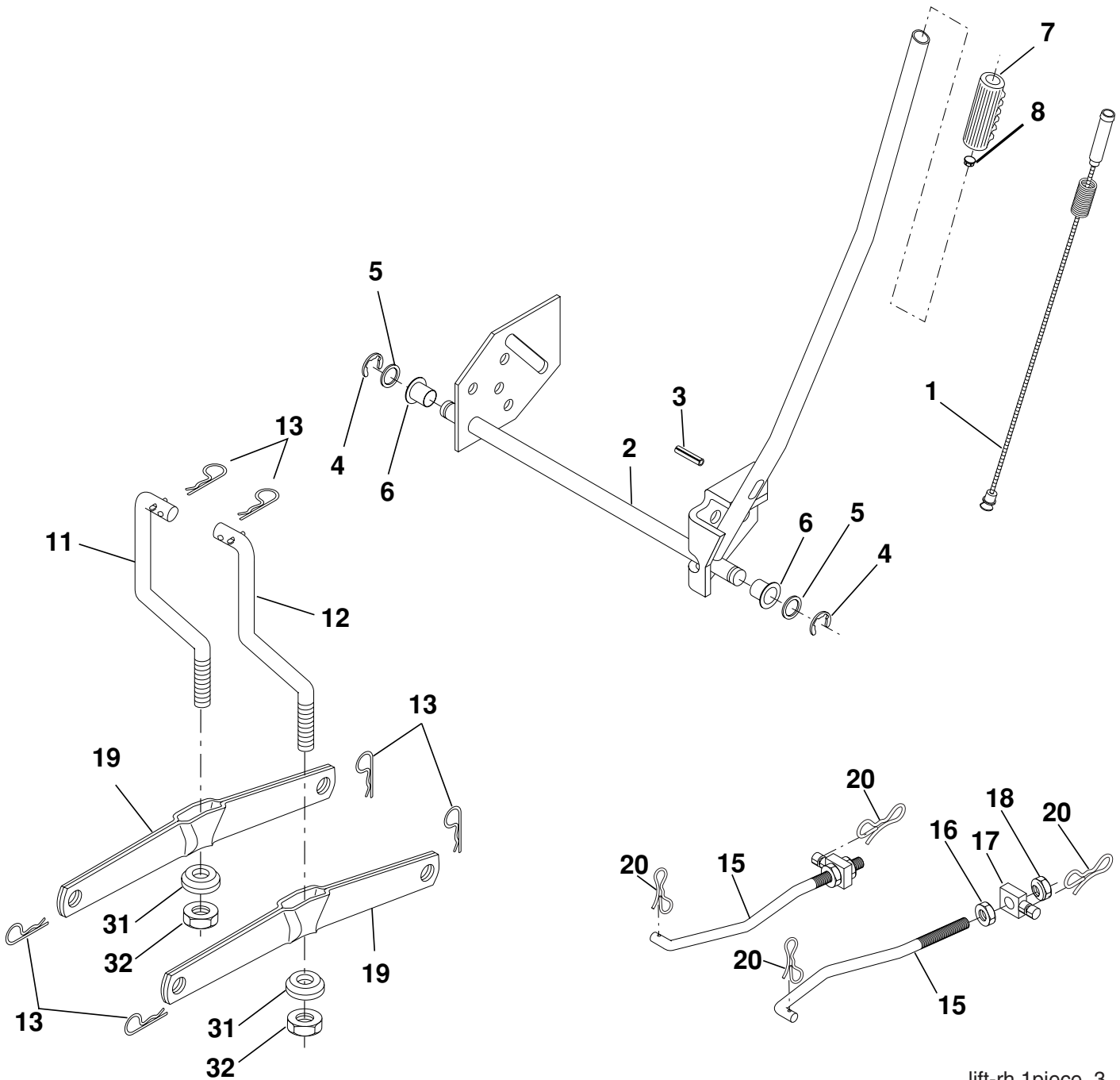
MOWER DECK

KEY NO.	PART NO.	DESCRIPTION	KEY NO.	PART NO.	DESCRIPTION
1	165892	Mower Deck Assembly, 42"	40	73900600	Nut Lock 3/8-16
2	72140506	Bolt	44	140088	Guard, Mandrel, LH
3	138017	Bracket Asm Fr. Sway Bar 3/42	45	4497H	Retainer
4	165460	Bracket Asm Deck 42" Sway Bar	46	137729	Screw, Thdrol 1/4-20 x 5/8 T
5	4939M	Retainer Spring	48	133944	Washer, Hardened
6	178024	Bar Sway Deck	52	139888	Bolt, Shoulder 5/16-18 unc
8	850857	Bolt 3/8-24 x 1.25 Gr. 8 patched	53	184907	Arm Assembly, Pad, Brake
9	10030600	Washer, Lock	54	178515	Washer, Hardened
10	140296	Washer, Hardened	55	155046	Arm, Idler
		(The following Blades are available)	56	165723	Spacer, Retainer
11	138971	Blade Mower 42" Hi-Lift	59	141043	Guard TUV Idler
		(for bagging and discharging)	67	106932X	Knob Round
--	134149	Blade, Mulching 42" Std	68	144959	V-Belt, 42" Mower
		(for mulching mowers only)	111	179292	Bracket Wheel Gauge LH
--	139775	Blade Mulching 42" Premium	112	179293	Bracket Wheel Gauge RH
		(For better wear when mulching)	113	17000510	Bolt 5/16-8
13	137645	Shaft Assembly, Mandrel, Vented	116	4898H	Bolt Shoulder
14	128774	Housing, Mandrel, Vented	117	188606	Wheel Gauge
15	110485X	Bearing, Ball, Mandrel	118	73930600	Nut Center Lock 3/8-16
16	174493	Stripper, Mandrel Deck	119	19121414	Washer 3/8- x 7/8 x 14 Ga.
18	72140505	Bolt, Carriage 5/16-18 x 5/8	142	165890	Arm Spring Brake Mower
19	132827	Bolt, Shoulder	143	157109	Bracket Arm Idler 42"
20	159770	Baffle, Vortex	144	158634	Keeper Belt 42" Clutch Cable
21	73680500	Nut	145	165888	Pulley Idler Flat
23	177563	Bracket, Deflector Mower 42"	146	171977	Bolt Carriage Idler
24	105304X	Cap, Sleeve 80 x 112 Blk Mower	147	131335	Spring Extension
25	123713X	Spring, Torsion, Deflector 2 52	148	169022	Spring Return Idler
26	110452X	Nut, Push Phos & Oil	149	165898	Retainer Spring Yellow
27	130968X428	Shield, Deflector 42" Blk	150	19091210	Washer 9/32 x 3/4 x 10 Ga.
28	19111016	Washer 11/32 x 5/8 x 16 Ga.	152	169676	Clutch Cable 42"
29	131491	Rod, Hinge 42" 6 75 W/G	158	17720408	Screw Hex Thd Cut 1/4-20 x 1/2
30	173984	Screw Thdrol	159	72140614	Bolt Rdhd Sqn 3/8-16 unc x 1-3/4
31	187690	Washer, Spacer Mower Vented	184	19131410	Washer 13/32 x 7/8 x 10 Ga.
32	153535	Pulley, Mandrel	185	188234	Head Asm Cable Clutch
33	400234	Nut, Toplock	--	130794	Mandrel Assembly (Includes Housing Shaft and Shaft Hardware Only - Pulley Not Included)
34	72110612	Bolt Carr SH 3/8-16 x 1-1/2 Gr.5	--	171491	Replacement Mower, Complete
36	131494	Pulley, Idler, Flat			

NOTE: All component dimensions given in U.S. inches
1 inch = 25.4 mm

TRACTOR - - MODEL NUMBER XT185H42LT (96012006000)

MOWER LIFT



lift-rh.1piece_3

KEY NO.	PART NO.	DESCRIPTION
1	198417	Wire Asm Inner/Sprg W/plunger
2	198070	Shaft Asm Lift RH w/Inf
3	188822	Pin Groove 5/16 Dia x 1.875
4	12000002	E Ring #5133-62
5	19211621	Washer 21/32 x 1 x 21 Ga.
6	120183X	Bearing Nylon Blk 629 Id
7	125631X	Grip Handle
8	122365X	Button Plunger
11	139865	Link Lift LH Fixed Length
12	139866	Link Lift RH Fixed Length
13	4939M	Retainer Spring

KEY NO.	PART NO.	DESCRIPTION
15	173288	Link Front
16	73350800	Nut Jam Hex 1/2-13 unc
17	175689	Trunnion
18	73800800	Nut Lock W/Wsh 1/2-13 unc
19	139868	Arm Suspension Rear
20	194209	Pin Cotter 7/16 Bow Tie Lock
31	169865	Bearing Pvt Lift
32	73540600	Nut Crownlock 3/8 - 24

NOTE: All component dimensions given in U.S. inches
1 inch = 25.4 mm