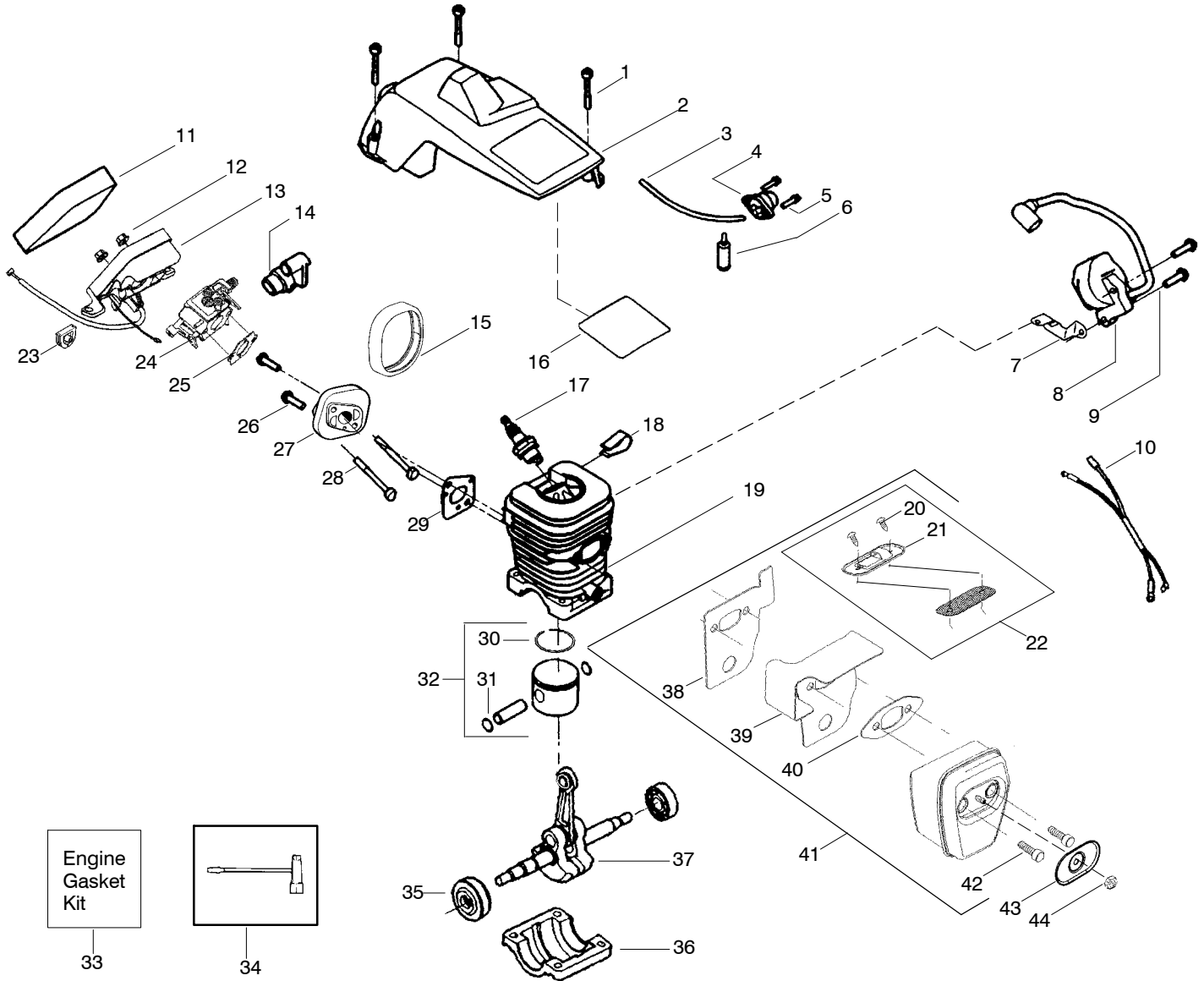


Ref.	Part No.	Description	Ref.	Part No.	Description	Ref.	Part No.	Description
1.	530059667	Assy.-Isolator	28.	530015127	Washer-Flywheel	55.	530015611	Washer-Clutch
2.	530047608	Limiter Strap	29.	530039187	Assy-Flywheel	56.	530014949	Assy. Clutch
3.	530059668	Spring-Isolator	30.	530055183	Shield - Heat	57.	530071259	Kit - Oil Pump (incl. 58,59,61)
4.	530015158	Washer	31.	530055322	Clip - "U"	58.	530037820	Gear-Worm Spring
5.	530016018	Screw	32.	530047192	Assy-Fuel Cap	59.	530049477	Elbow-Oil Pickup
6.	530015843	Screw	33.	530023877	Fitting-fuel line	60.	530016064	Screw
7.	530047583	Front Handle	34.	530069216	Kit-Fuel line (large)	61.	530019206	Seal Block
8.	530015940	Screw	35.	530016149	Spring-Switch	62.	530047663	Assy-Oil Pick-up (Incl. 63,64)
9.	530015814	Screw	36.	530015775	Screw	63.	530038373	Pick-up Oiler
10.	952051211	Chain - 16"	37.	530047581	Cover-Rear Handle	64.	530056533	Filter-Oil
11.	530044834	Bar - 16"	38.	530015886	Screw	65. ✓	545139915	Assy.-Chain Brake
12.	530016132	Screw	39.	530015906	Screw	66.	530015917	Nut-Bar Mounting
13.	530038238	Plate-Bar Mount.	40.	530036098	Throttle Lockout			
14.	530015814	Screw	41.	530036097	Trigger-Throttle			
15.	530029850	Chain Catcher	42.	530047582	Handle - Rear			
16.	530016133	Bolt-Bar	43.	★★★★★	Screw			
17.	530057236	Assy-Oil Cap	44.	★★★★★	Assy Isolator-lower			
18.	530071666	Kit-Oil Vent	45.	530071958	Kit-Isolator (Upper)			
19.	530016134	Nut-Flywheel	46.	530015875	Screw			
20.	530016080	Screw	47.	530059668	Spring-Isolator			
21.	530037817	Starter Pulley	48.	530057473	Lever-Switch			
22.	530015892	Screw	49.	530057474	Lever-Choke			
23.	530049335	Housing-Fan	50.	530049005	Grommet-Knob			
24.	530069232	Kit - Rope	51.	530015922	Nut-"U"-Type			
25.	530056402	Handle-Starter	52.	530058733	Assy-Chassis(Incl. fuel lines and caps)			
26.	530027531	Spring-Recoil	53.	530015907	Washer-Thrust			
27.	530015920	Screw	54.	530047061	Assy.-Clutch Drum w/bearing			

✓ = NEW PART NUMBER FOR THIS IPL

★ = REFER TO THE SERVICE REFERENCE INDICATED FOR MORE INFORMATION. (LOCATED AT END OF IPL)



Ref.	Part No.	Description	Ref.	Part No.	Description	Ref.	Part No.	Description
1.	530016153	Screw	19.	530012552	Cylinder	34.	530031135	Scrench
2.	530055638	Assy-Cylinder Shield (includes # 16)	20.	530016351	Screw-Outlet cover	35.	530056363	Assy-Seal & Bearing
3.	530069247	Kit-Fuel Line (Small)	21.	530054883	Cover - Outlet	36.	530037935	Cap-Crankcase
4.	530071835	Kit-Purge Bulb (incl.#5)	22.	530071413	Kit-Spark Arrestor (Incl. 20,21)	37.	530047062	Assy-Crankshaft
5.	530015780	Screw	23.	530047631	Grommet-Throttle Cable	38.	530054885	Backplate
6.	530095646	Assy-Fuel Pick-up	24.	---	Kit-Carburetor	39.	530054880	Guide-Outlet
7.	530047442	Strap-Ground		530071820	Zama (W-20)	40.	530069608	Gasket-Muffler(kit)
8.	530039198	Ignition Module		530071821	Walbro (WT-662)	41.	530054886	Assy-Muffler (Incl. 38-40,42)
9.	530015814	Screw	25.	530069608	Gasket-Carb. (kit)	42.	530016338	Bolt-Muffler
10.	530057475	Assy-Wire Harness	26.	530016386	Screw	43.	530055586	Cover-Bolt
11.	530037793	Foam-Air Filter	27.	530049700	Carb. Adapter	44.	530016359	Nut-Brass
12.	530016101	Nut	28.	530016187	Screw			Not Shown
13.	530057702	Assy-Air Box	29.	530069608	Gasket- Adaptor(kit)			
14.	530035526	Grommet-Carb Adjust	30.	530038729	Ring-Piston		545123644	Manual
15.	530054144	Seal-Carb Adapter	31.	530015697	Retainer-Piston Pin		530057757	Decal-Warning
16.	530055698	Reflector-Heat	32.	530069719	Kit-Piston (Incl. 30 & 31)		530059229	Decal-Start Inst.
17.	952030150	Spark Plug (RCJ-7Y)	33.	530069608	Kit-Engine Gasket (Incl. 25, 29 & 40)			
18.	530016136	Clip-High Tension Lead						

↙ = NEW PART NUMBER FOR THIS IPL

★ = REFER TO THE SERVICE REFERENCE INDICATED FOR MORE INFORMATION. (LOCATED AT END OF IPL)

PARTS LIST NO. 530164916		Poulan PRO[®] PARTS LIST	MODEL(s) 220LE
DATE 11/29/06	Replaces 530164916 - 9/14/06		Note: Illustration may differ from actual model due to design changes

★★★★★ **Service Reference** ★★★★★

Note: Due to product improvements, your unit may have been built with or without the spring and screw shown below. If your unit does not have this spring and screw, no action is required. If your unit does have the spring and screw, please order the part numbers listed below.

