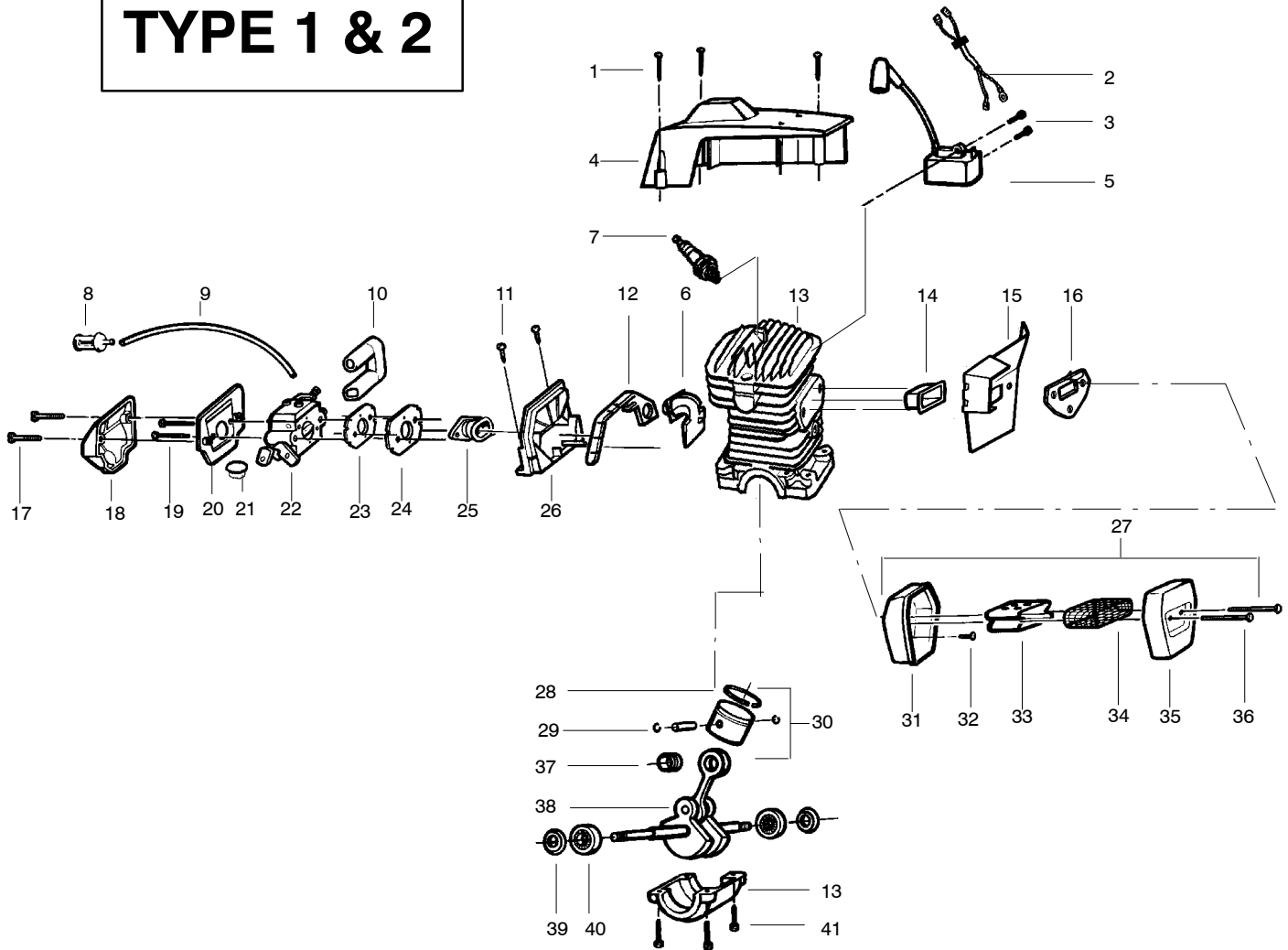


| | | | |
|------------------------------------|---------------------------------------|-----------------------------|------------------------------------------------------------------------------|
| PARTS LIST NO. 530082347 | | <h1>Poulan® PARTS LIST</h1> | CHAIN SAW MODEL(s) 2900 Export |
| DATE 4/16/09 | REPLACES 530082347-11/28/05 | | Note: Illustration may differ from actual model due to design changes |

TYPE 1 & 2

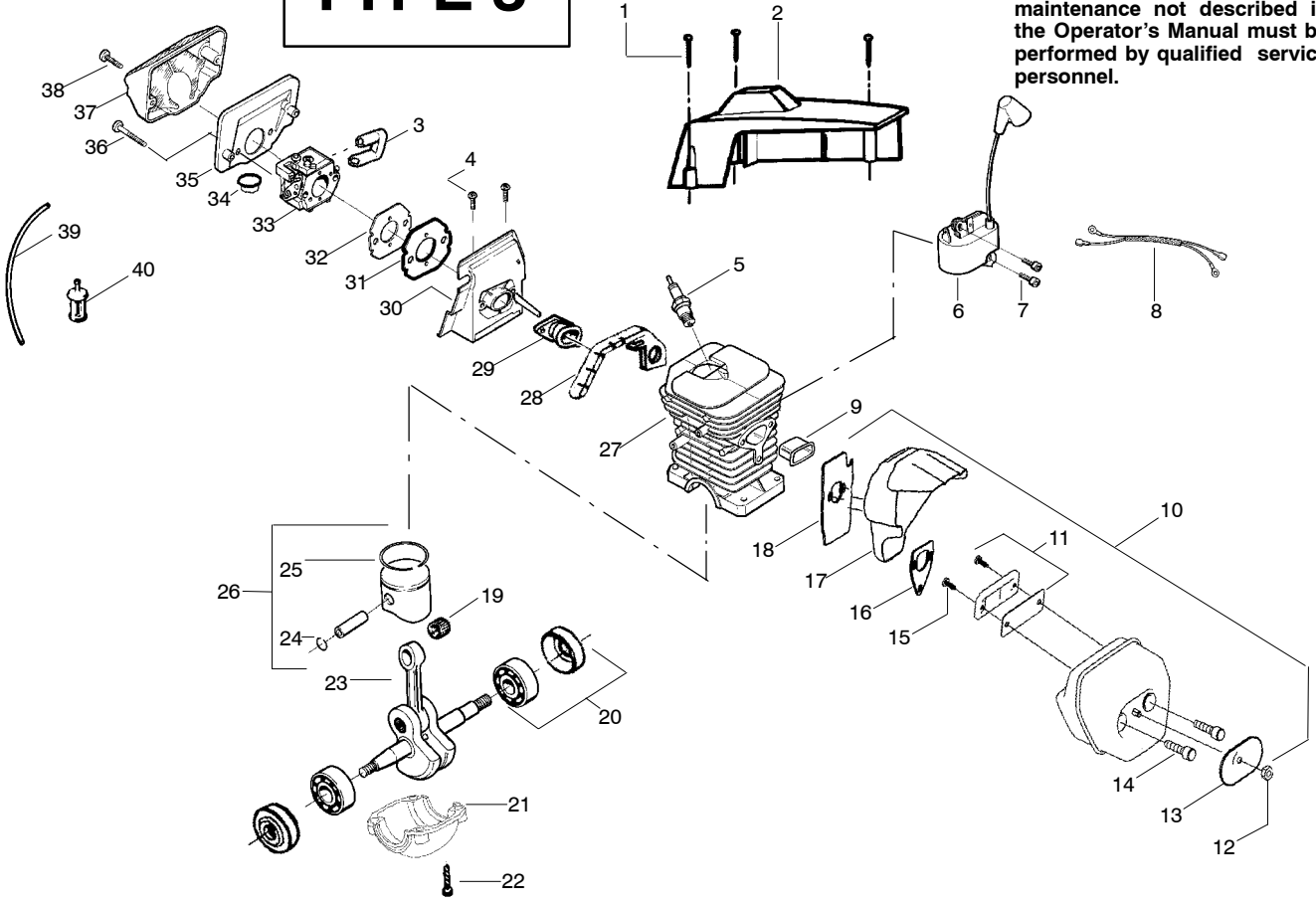


| Ref. | Part No. | Description | Ref. | Part No. | Description | Ref. | Part No. | Description |
|------|-----------|-------------------------|------|-----------|---------------------------------------|-----------|-----------|--------------------|
| 1. | 530016154 | Screw | 20. | 530037478 | Filter-Air (Bottom) | 38. | 530029794 | Assy-C'shaft & Rod |
| 2. | 530037467 | Assy-Switch Wire | 21. | 530036792 | Isolator | 39. | ★★★★★ | C'shaft Seal |
| 3. | 530015895 | Screw | 22. | 530069629 | Carburetor (WT-289) | 40. | ★★★★★ | C'shaft Bearing |
| 4. | 530069700 | Kit-Cylinder Shield | 23. | 530019172 | Gasket-Carburetor | 41. | 530015897 | Screw |
| 5. | 530039143 | Module-Ignition | 24. | 530037872 | Plate-Carburetor | | | |
| 6. | 530029813 | Assy-Turbo air cleaner | 25. | 530037668 | Boot-Intake | | | |
| 7. | 952030150 | Spark Plug (RCJ-7Y) | 26. | 530053396 | Adaptor-Carb. | | | |
| 8. | 530047004 | Assy-Fuel Pick-up | 27. | 530069416 | Kit-Muffler (Incl. 31,32,33,35,36) | | | |
| 9. | 530069247 | Kit - Line Carb / Purge | 28. | 530037380 | Ring-Piston | Not Shown | | |
| 10. | 530037464 | Grommet-Carb. | 29. | 530015697 | Retainer-Piston Pin | | | |
| 11. | 530015814 | Screw | 30. | 530069548 | Kit-Piston (Incl. 28, 29 & 37) | | | |
| 12. | 530019203 | Seal-Turbo Clean | 31. | 530037728 | Muffler Body | | | |
| 13. | 530014943 | Assy-C'case&Cylinder | 32. | 530015902 | Bolt | | | |
| 14. | 530037652 | Heat Insulator | 33. | 530037813 | Diffuser | | | |
| 15. | 530037786 | Muffler Plate | 34. | 530036103 | Spark Screen | | | |
| 16. | 530019205 | Gasket-Muffler | 35. | 530037249 | Muffler Cover | | | |
| 17. | 530015899 | Screw | 36. | 530016170 | Muffler Bolt | | | |
| 18. | 530036141 | Air Filter (Top) | 37. | 530032117 | Piston Pin Bearing | | | |
| 19. | 530015970 | Screw | | | | | | |
| | | | | | | | 530087763 | Operator Manual |
| | | | | | | | 530031135 | Srench |

✓ = NEW PART NUMBER FOR THIS IPL ★ = REFER TO THE SERVICE REFERENCE INDICATED FOR MORE INFORMATION. (LOCATED AT END OF IPL)
● = THESE PARTS ARE ILLUSTRATED FOR CLARITY. ORDER COMPLETE ASSEMBLY.

TYPE 3

⚠ WARNING
All repairs, adjustments and maintenance not described in the Operator's Manual must be performed by qualified service personnel.

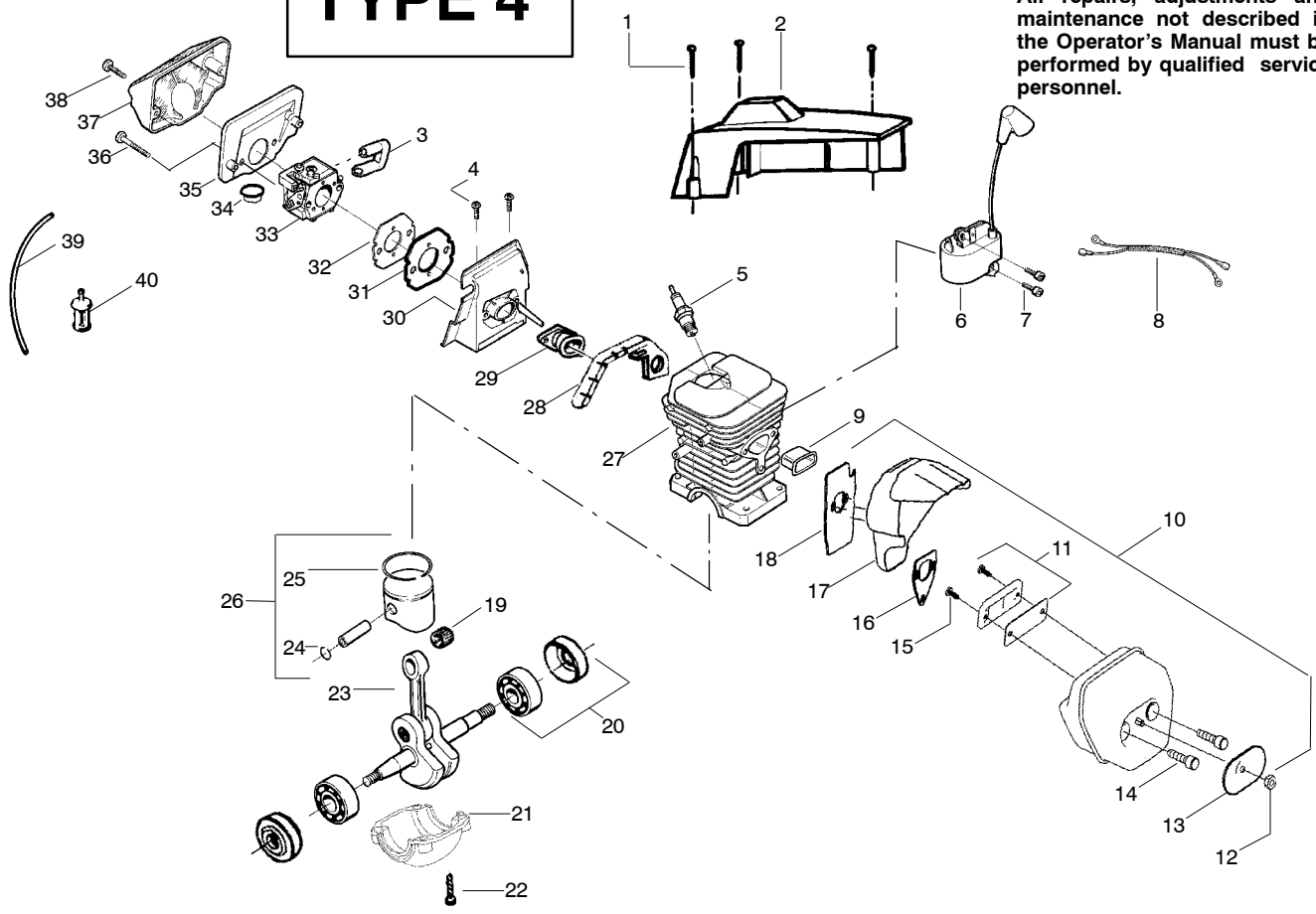


| Ref. | Part No. | Description | Ref. | Part No. | Description |
|------|-----------|-----------------------------------|------|-----------|----------------------------------|
| 1. | 530016154 | Screw | 25. | 530037380 | Ring-Piston |
| 2. | 530069700 | Kit-Cylinder Shield | 26. | 530071496 | Kit-Piston (Incl. 24, 25) |
| 3. | 530037464 | Grommet -Carb. | 27. | 530071491 | Assy-Cyl/Crankcase (Incl.#21) |
| 4. | 530015814 | Screw | 28. | 530019251 | Seal-Super Clean |
| 5. | 952030150 | Spark Plug (RCJ-7Y) | 29. | 530037668 | Intake Boot |
| 6. | 530039143 | Module-Ignition | 30. | 530053396 | Adapter-Carb. |
| 7. | 530015895 | Screw | 31. | 530037872 | Intake Plate-Carb |
| 8. | 530037467 | Assy-Switch Wire | 32. | 530019172 | Gasket-Carb. |
| 9. | 530037652 | Insulator-Heat | 33. | 530071492 | Kit-Carburetor (WT-610) |
| 10. | 530071495 | Kit-Muffler (Incl.12-18) | 34. | 530036792 | Isolator |
| 11. | 530071497 | Kit-Spark Arrestor (Incl.# 15) | 35. | 530037478 | Filter-Air (Bottom) |
| 12. | 530016359 | Nut-Brass | 36. | 530015970 | Screw |
| 13. | 530056061 | Cover-Bolt | 37. | 530036141 | Filter-Air (Top) |
| 14. | 530016338 | Bolt-Muffler | 38. | 530015899 | Screw |
| 15. | 530016351 | Screw-Spark Screen | 39. | 530069247 | Kit-Fuel Line (Small) |
| 16. | 530055128 | Gasket-Muffler | 40. | 530095646 | Assy-Fuel Pick-up |
| 17. | 530055765 | Assy-Muffler Backplate | | | |
| 18. | 530055402 | Backplate - Alum. | | | |
| 19. | 530032117 | Bearing | | | |
| 20. | 530056363 | Assy-Bearing & Seal | | | |
| 21. | 530049794 | Cap-Crankcase | | | |
| 22. | 530015897 | Screw | | | |
| 23. | 530029794 | Assy-C'shaft & Rod | | | |
| 24. | 530015697 | Retainer-Piston Pin | | | |
| | | | | Not Shown | |
| | | | | 530088182 | Operator Manual - Euro I |
| | | | | 530031135 | Scrench |
| | | | | 530056167 | Decal-Warning/Start Inst. |

✓ = NEW PART NUMBER FOR THIS IPL * = REFER TO THE SERVICE REFERENCE INDICATED FOR MORE INFORMATION. (LOCATED AT END OF IPL)
● = THESE PARTS ARE ILLUSTRATED FOR CLARITY. ORDER COMPLETE ASSEMBLY.

TYPE 4

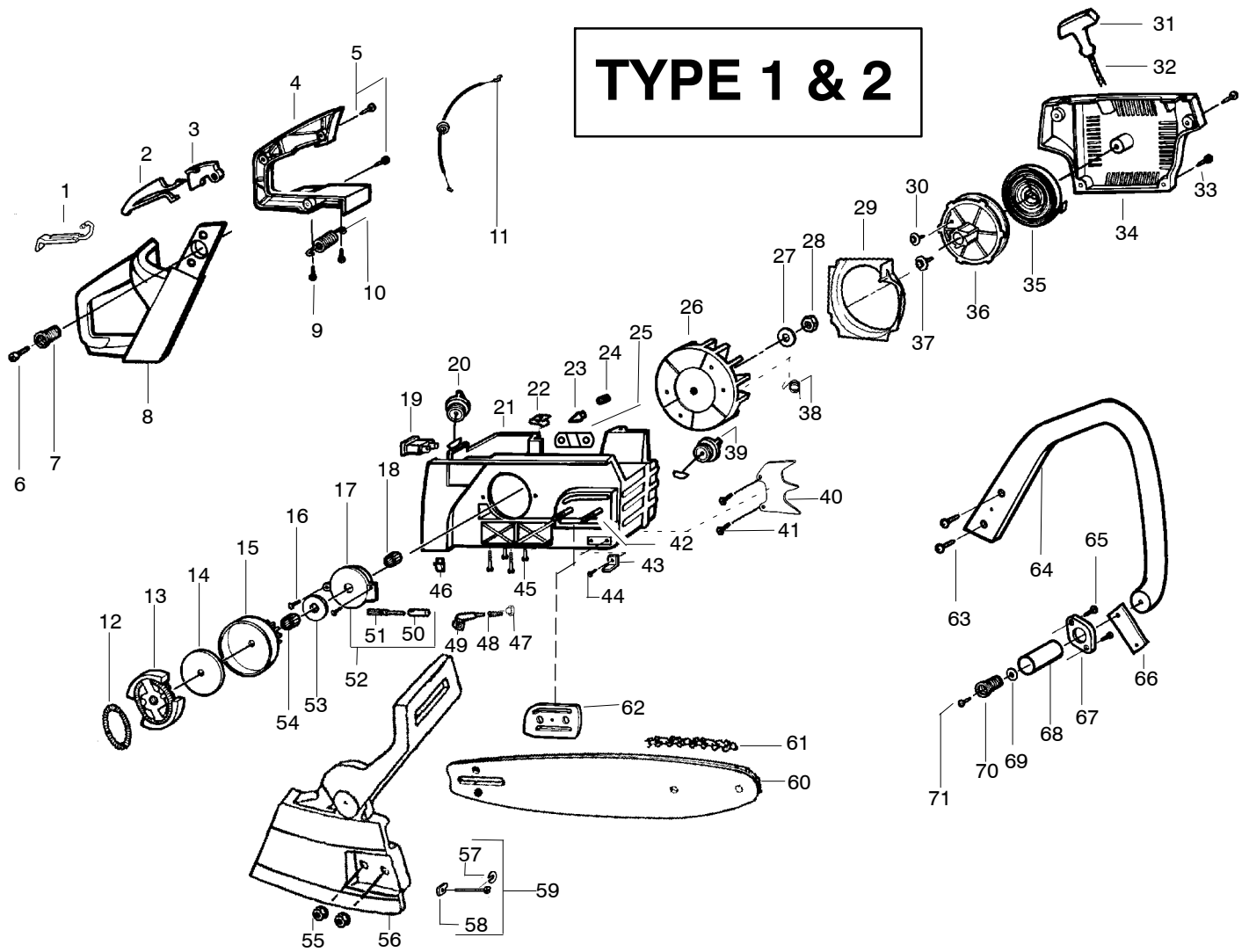
⚠ WARNING
All repairs, adjustments and maintenance not described in the Operator's Manual must be performed by qualified service personnel.



| Ref. | Part No. | Description | Ref. | Part No. | Description |
|------|-----------|-----------------------------------|------|-----------|----------------------------------|
| 1. | 530016154 | Screw | 25. | 530037380 | Ring-Piston |
| 2. | 530069700 | Kit-Cylinder Shield | 26. | 530071496 | Kit-Piston (Incl. 24, 25) |
| 3. | 530035583 | Grommet -Carb. | 27. | 530071491 | Assy-Cyl/Crankcase (Incl.#21) |
| 4. | 530015814 | Screw | 28. | 530019251 | Seal-Super Clean |
| 5. | 952030150 | Spark Plug (RCJ-7Y) | 29. | 530035581 | Intake Boot |
| 6. | 530039143 | Module-Ignition | 30. | 530071654 | Kit-Carb. Adapter |
| 7. | 530015895 | Screw | 31. | 530057295 | Intake Plate-Carb |
| 8. | 530037467 | Assy-Switch Wire | 32. | 530019172 | Gasket-Carb. |
| 9. | 530037652 | Insulator-Heat | 33. | 530071693 | Kit-Carburetor (WT-657) |
| 10. | 530071495 | Kit-Muffler (Incl.12-18) | 34. | 530036792 | Isolator |
| 11. | 530071497 | Kit-Spark Arrestor (Incl.# 15) | 35. | 530037478 | Filter-Air (Bottom) |
| 12. | 530016359 | Nut-Brass | 36. | 530015970 | Screw |
| 13. | 530056061 | Cover-Bolt | 37. | 530036141 | Filter-Air (Top) |
| 14. | 530016338 | Bolt-Muffler | 38. | 530015899 | Screw |
| 15. | 530016351 | Screw-Spark Screen | 39. | 530069247 | Kit-Fuel Line (Small) |
| 16. | 530055128 | Gasket-Muffler | 40. | 530095646 | Assy-Fuel Pick-up |
| 17. | 530055765 | Assy-Muffler Backplate | | | |
| 18. | 530055402 | Backplate - Alum. | | | |
| 19. | 503414101 | Bearing | | | |
| 20. | 530056363 | Assy-Bearing & Seal | | | |
| 21. | 530049794 | Cap-Crankcase | | | |
| 22. | 530015897 | Screw | | | |
| 23. | 530029794 | Assy-C'shaft & Rod | | | |
| 24. | 530015697 | Retainer-Piston Pin | | | |
| | | | | Not Shown | |
| | | | | 545001480 | Operator Manual - Euro I |
| | | | | 530031135 | Scrench |
| | | | | 530056167 | Decal-Warning/Start Inst. |

✓ = NEW PART NUMBER FOR THIS IPL ★ = REFER TO THE SERVICE REFERENCE INDICATED FOR MORE INFORMATION. (LOCATED AT END OF IPL)
● = THESE PARTS ARE ILLUSTRATED FOR CLARITY. ORDER COMPLETE ASSEMBLY.

TYPE 1 & 2

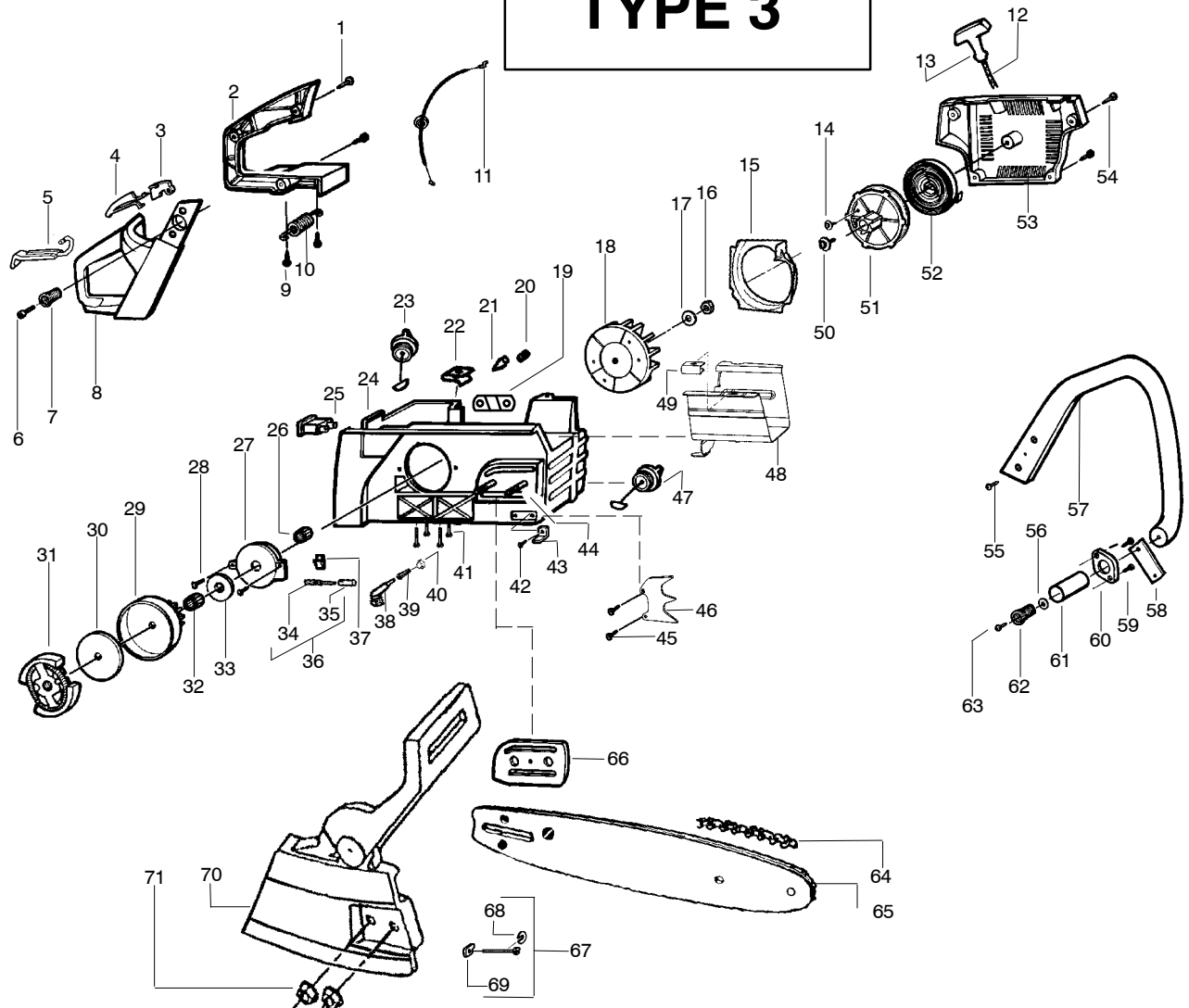


| Ref. | Part No. | Description | Ref. | Part No. | Description | Ref. | Part No. | Description |
|------|-----------|----------------------------------------|------|-----------|--------------------------------------|------|-----------|-------------------------------|
| 1. | 530053443 | Choke Lever | 27. | 530015127 | Washer | 53. | 530015907 | Thrust Washer |
| 2. | 530036098 | Throttle Lockout | 28. | 530016071 | Nut | 54. | 530032119 | Clutch Bearing |
| 3. | 530036097 | Throttle Trigger | 29. | 530029800 | Baffle Plate | 55. | 530015917 | Bar Mounting Nut |
| 4. | 530071272 | Assy-Handle (incl.#8) | 30. | 530016080 | Screw | 56. | 530054803 | Assy-Chainbrake |
| 5. | 530015957 | Screw | 31. | 530037485 | Starter Handle | 57. | 530038593 | Retainer-Bar Adjust |
| 6. | 530015937 | Screw | 32. | 530069232 | Rope Kit | 58. | 530015826 | Bar Adjusting Pin |
| 7. | 530038985 | Spring - Isolator | 33. | 530015892 | Screw | 59. | 530069611 | Kit - Bar Adjust (incl.57,58) |
| 8. | 530071272 | Assy-Handle (incl.#4) | 34. | 530047744 | Assy Fan Hsg (Incl. 29) | 60. | --- | Bar |
| 9. | 530015886 | Screw | 35. | 530015891 | Recoil Spring | | 952044324 | 16" |
| 10. | 530038986 | Isolator Spring | 36. | 530069313 | Kit - Starter Pulley | | 952044325 | 18" |
| 11. | 530038471 | Throttle Cable | 37. | 530015920 | Screw | | 952044326 | 20" |
| 12. | 530094188 | Spring - Clutch | 38. | 530023817 | Spring - Starter Dog | 61. | --- | Chain |
| 13. | 530014949 | Clutch Ass'y. | 39. | 530010846 | Oil Cap Ass'y. | | 952051301 | 16" |
| 14. | 530015611 | Clutch Washer | 40. | 530014381 | Assy. - Spike (incl.41) | | 952051313 | 18" |
| 15. | 530069342 | Kit - Clutch Drum & Bearing (incl. 54) | 41. | 530015805 | Screw | | 952051310 | 20" |
| 16. | 530015896 | Screw | 42. | 530015877 | Bar Bolt | 62. | 530047855 | Bar Plate |
| 17. | 530029835 | Oil Pump Hsg. | 43. | 530029850 | Chain Catcher | 63. | 530015814 | Screw |
| 18. | 530029833 | Oil Pump Worm | 44. | 530015906 | Screw | 64. | 530038327 | Handle |
| 19. | 530069572 | Switch Kit | 45. | 530016037 | Screw | 65. | 530015775 | Screw |
| 20. | 530010845 | Fuel Cap Ass'y. | 46. | 530019174 | Oil Seal | 66. | 530036113 | Front Strap |
| 21. | 530037511 | Chassis Ass'y. | 47. | 530030189 | Plug-Oiler Filter | 67. | 530036101 | Isolator Plate |
| 22. | 530015922 | Speed Nut | 48. | 530037821 | Oil Filter | 68. | 530036142 | Spring Sleeve |
| 23. | 530026119 | Check Valve | 49. | 530037057 | Oil Pick-up | 69. | 530015123 | Washer |
| 24. | 530029868 | Vent Plug | 50. | 530029834 | Oil Pump Barrel | 70. | 530038985 | Isolator Spring |
| 25. | 530036043 | Bar Stud Plate | 51. | 530029838 | Plunger & Gear Ass'y. | 71. | 530015984 | Screw |
| 26. | 530039147 | Flywheel Ass'y. | 52. | 530014410 | Oil Pump Ass'y. (Incl. 17, 50, & 51) | | | |

✓ = NEW PART NUMBER FOR THIS IPL

* = REFER TO THE SERVICE REFERENCE INDICATED FOR MORE INFORMATION. (LOCATED AT END OF IPL)

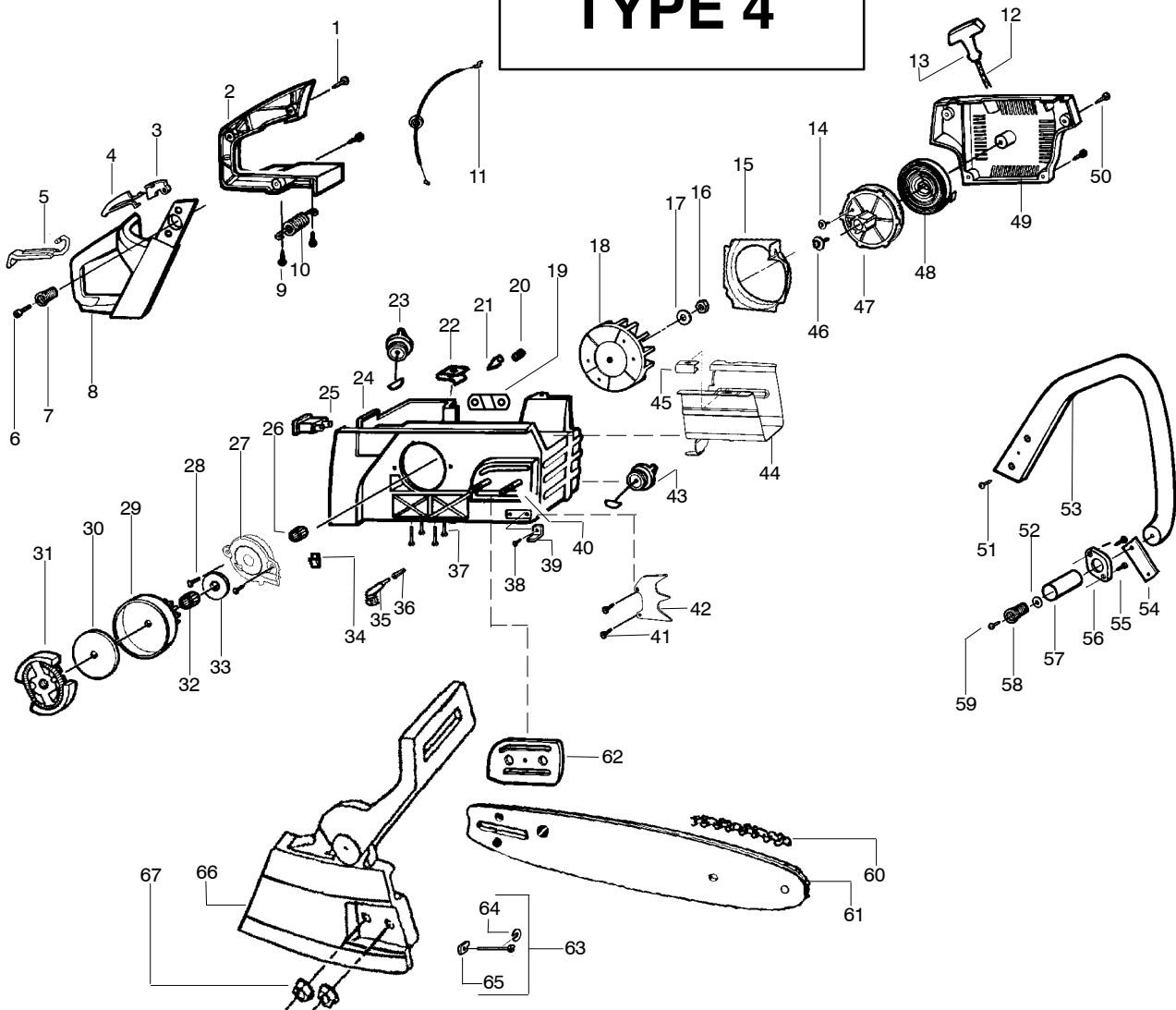
TYPE 3



| Ref. | Part No. | Description | Ref. | Part No. | Description | Ref. | Part No. | Description |
|------|-----------|----------------------------------------|------|-----------|---------------------------------------|------|-----------|---------------------------|
| 1. | 530015957 | Screw | 23. | 530010845 | Assy-Fuel Cap | 47. | 530010846 | Assy-Oil Cap |
| 2. | 530036491 | Cover-Handle | 24. | 530037511 | Assy-Chassis | 48. | 530055406 | Shield-Heat |
| 3. | 530036097 | Trigger-Throttle | 25. | 530069572 | Kit-Switch | 49. | 530055322 | Clip-"U" |
| 4. | 530036098 | Lockout-Throttle | 26. | 530029833 | Worm-Oil Pump | 50. | 530015920 | Screw |
| 5. | 530053443 | Lever-Choke | 27. | 530029835 | Hsg.-Oil Pump | 51. | 530069313 | Kit-Starter Pulley |
| 6. | 530015937 | Screw | 28. | 530015896 | Screw | 52. | 530015891 | Spring-Recoil |
| 7. | 530038985 | Spring-Isolator | 29. | 530069342 | Kit-Clutch Drum | 53. | 530047744 | Housing-Fan (incl.#15) |
| 8. | 530036130 | Handle-Rear | 30. | 530015611 | Washer-Clutch | 54. | 530015892 | Screw |
| 9. | 530015906 | Screw | 31. | 530014949 | Assy-Clutch | 55. | 530015814 | Screw |
| 10. | 530038986 | Spring-Isolator | 32. | 530032119 | Bearing-Clutch | 56. | 530015123 | Washer |
| 11. | 530038471 | Assy-Throttle Cable (Incl. Grommet) | 33. | 530015907 | Washer-Thrust | 57. | 530038327 | Handle-Front |
| 12. | 530069232 | Kit-Rope | 34. | 530029838 | Assy-Plunger/Gear | 58. | 530036113 | Front Strap-AV |
| 13. | 530037485 | Handle-Starter | 35. | 530029834 | Barrel-Oil Pump | 59. | 530015775 | Screw-Plate |
| 14. | 530016080 | Screw | 36. | 530014410 | Assy-Oil Pump (Incl. 27, 34, & 35) | 60. | 530036101 | Plate-Isolator |
| 15. | 530047667 | Plate-Baffle Fan | 37. | 530019174 | Seal-Oil | 61. | 530036142 | Spring Sleeve-AV |
| 16. | 530016071 | Nut-Flywheel | 38. | 530037057 | Pickup-Oil | 62. | 530038985 | Spring-Isolator |
| 17. | 530015127 | Washer-Flywheel | 39. | 530037821 | Filter-Oil | 63. | 530015984 | Screw |
| 18. | 530039147 | Assy-Flywheel | 40. | 530030189 | Plug-Oil Filter | 64. | 952051313 | Chain-18" (33SL-72) |
| 19. | 530036043 | Plate-Support (Bar Stud) | 41. | 530016037 | Screw | 65. | 952044325 | Bar-18" |
| 20. | 530029868 | Plug-Vent | 42. | 530015814 | Screw | 66. | 530047855 | Bar Plate |
| 21. | 530026119 | Valve-Check | 43. | 530029850 | Chain Catcher | 67. | 530069611 | Kit-Bar Adj. (Incl 68,69) |
| 22. | 530015922 | Nut-Speed | 44. | 530015877 | Bar Bolt | 68. | 530038593 | Retainer-Bar Adjust |
| | | | 45. | 530015805 | Screw | 69. | 530015826 | Pin-Bar Adjust |
| | | | 46. | 530014381 | Kit-Spike Assy.(incl.#45) | 70. | 530054803 | Assy-ChainBrake |
| | | | | | | 71. | 530015917 | Nut-Bar Mounting |

✓ = NEW PART NUMBER FOR THIS IPL ★ = REFER TO THE SERVICE REFERENCE INDICATED FOR MORE INFORMATION. (LOCATED AT END OF IPL)

TYPE 4

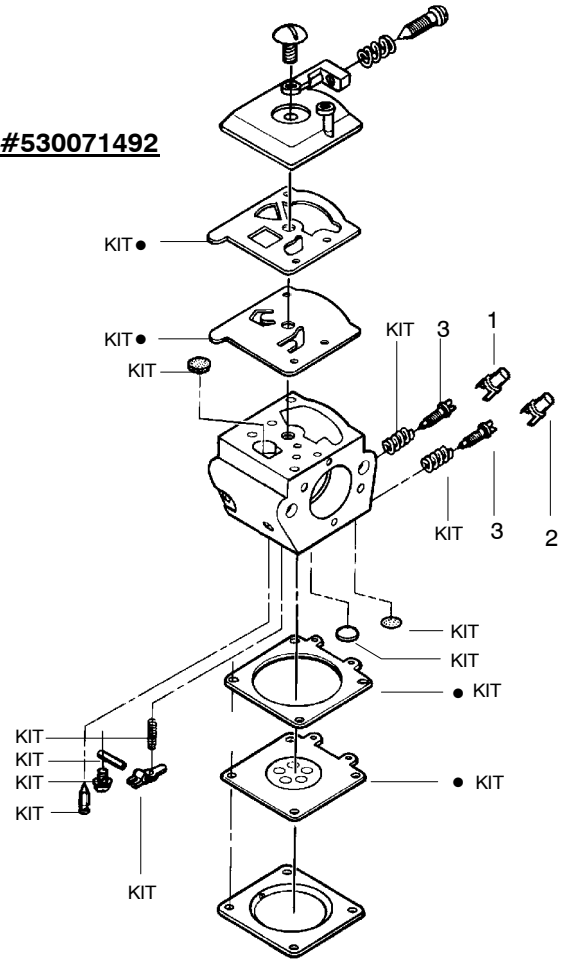


| Ref. | Part No. | Description | Ref. | Part No. | Description | Ref. | Part No. | Description |
|------|-----------|----------------------------------------|------|-----------|---------------------------|------|-----------|---------------------------|
| 1. | 530015957 | Screw | 24. | 530037511 | Assy-Chassis | 49. | 530047744 | Housing-Fan (incl.#15) |
| 2. | 530071272 | Cover-Handle | 25. | 530069572 | Kit-Switch | 50. | 530015892 | Screw |
| 3. | 530036097 | Trigger-Throttle | 26. | 530029833 | Worm-Oil Pump | 51. | 530015814 | Screw |
| 4. | 530036098 | Lockout-Throttle | 27. | 530014410 | Assy.-Oil Pump | 52. | 530015123 | Washer |
| 5. | 530053443 | Lever-Choke | 28. | 530015896 | Screw | 53. | 530038327 | Handle-Front |
| 6. | 530015937 | Screw | 29. | 530069342 | Kit-Clutch Drum | 54. | 530036113 | Front Strap-AV |
| 7. | 530038985 | Spring-Isolator | 30. | 530015611 | Washer-Clutch | 55. | 530015775 | Screw-Plate |
| 8. | 530071272 | Handle-Rear | 31. | 530014949 | Assy-Clutch | 56. | 530036101 | Plate-Isolator |
| 9. | 530015906 | Screw | 32. | 530032119 | Bearing-Clutch | 57. | 530036142 | Spring Sleeve-AV |
| 10. | 530038986 | Spring-Isolator | 33. | 530015907 | Washer-Thrust | 58. | 530038985 | Spring-Isolator |
| 11. | 530038471 | Assy-Throttle Cable (Incl. Grommet) | 34. | 530019174 | Seal-Oil | 59. | 530015984 | Screw |
| 12. | 530069232 | Kit-Rope | 35. | 545047801 | Pickup-Oil | 60. | 952051313 | Chain-18" (33SL-72) |
| 13. | 530037485 | Handle-Starter | 36. | 530056533 | Filter-Oil | 61. | 952044325 | Bar-18" |
| 14. | 530016080 | Screw | 37. | 530016037 | Screw | 62. | 530047855 | Bar Plate |
| 15. | 530047667 | Plate-Baffle Fan | 38. | 530015814 | Screw | 63. | 530069611 | Kit-Bar Adj. (Incl 64,65) |
| 16. | 530016071 | Nut-Flywheel | 39. | 530029850 | Chain Catcher | 64. | 530038593 | Retainer-Bar Adjust |
| 17. | 530015127 | Washer-Flywheel | 40. | 530015877 | Bar Bolt | 65. | 530015826 | Pin-Bar Adjust |
| 18. | 530039147 | Assy-Flywheel | 41. | 530015805 | Screw | 66. | 530054803 | Assy-ChainBrake |
| 19. | 530036043 | Plate-Support (Bar Stud) | 42. | 530014381 | Kit-Spike Assy.(incl.#41) | 67. | 530015917 | Nut-Bar Mounting |
| 20. | 530029868 | Plug-Vent | 43. | 530010846 | Assy-Oil Cap | | | |
| 21. | 530026119 | Valve-Check | 44. | 530055406 | Shield-Heat | | | |
| 22. | 530015922 | Nut-Speed | 45. | 530055322 | Clip-"U" | | | |
| 23. | 530010845 | Assy-Fuel Cap | 46. | 530015920 | Screw | | | |
| | | | 47. | 530069313 | Kit-Starter Pulley | | | |
| | | | 48. | 530015891 | Spring-Recoil | | | |

✓ = NEW PART NUMBER FOR THIS IPL * = REFER TO THE SERVICE REFERENCE INDICATED FOR MORE INFORMATION. (LOCATED AT END OF IPL)

Carburetor Assembly – WT529 – #530071345

Carburetor Assembly – WT610 – #530071492



Carb.
Repair
Kit

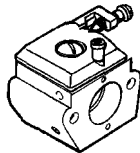
4

Gasket/
Dia.
Kit

5

| Ref. | Part No. | Description |
|------|-----------|-----------------------------------------------------|
| 1. | 530038479 | Limiting Cap – High (Brown) |
| 2. | 530038478 | Limiting Cap – Low (Tan) |
| 3. | 530035523 | Needle – High/Low Speed |
| 4. | 530069825 | Carburetor Repair Kit (KIT = Indicates Contents) |
| 5. | 530069844 | Gasket Diaphragm Kit (● Indicates Contents) |

Kit - Carburetor Assembly No. 530071693 - WT-657



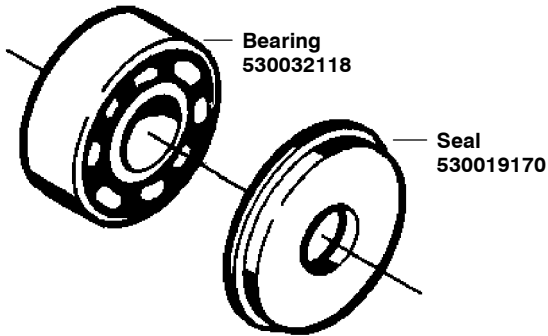
Note: No Repair kits are available for this carburetor, please order the complete assembly part number 530-071693 - WT-657

| | | | |
|------------------------------------|---------------------------------------|----------------------------|------------------------------------------------------------------------------|
| PARTS LIST NO. 530082347 | | Poulan ® PARTS LIST | CHAIN SAW MODEL(s) 2900 Export |
| DATE 4/16/09 | REPLACES 530082347-11/28/05 | | Note: Illustration may differ from actual model due to design changes |

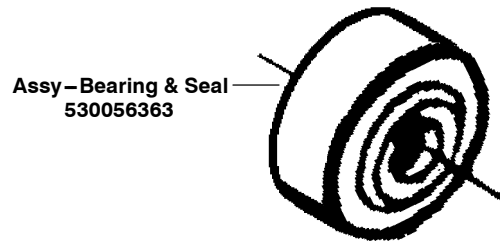
★ ★ ★ ★ ★ **SERVICE REFERENCE** ★ ★ ★ ★ ★

If your saw has the seperate bearing and seal please order both the 530032118 bearing and the 530019170 seal. If your saw has the one piece bearing/seal assembly please order the 530056363 bearing/seal assy.
(Please Note : The different styles will not interchange.)

TWO PIECE STYLE



ONE PIECE STYLE



✓ = NEW PART NUMBER FOR THIS IPL ★ = REFER TO THE SERVICE REFERENCE INDICATED FOR MORE INFORMATION. (LOCATED AT END OF IPL)
● = THESE PARTS ARE ILLUSTRATED FOR CLARITY. ORDER COMPLETE ASSEMBLY.