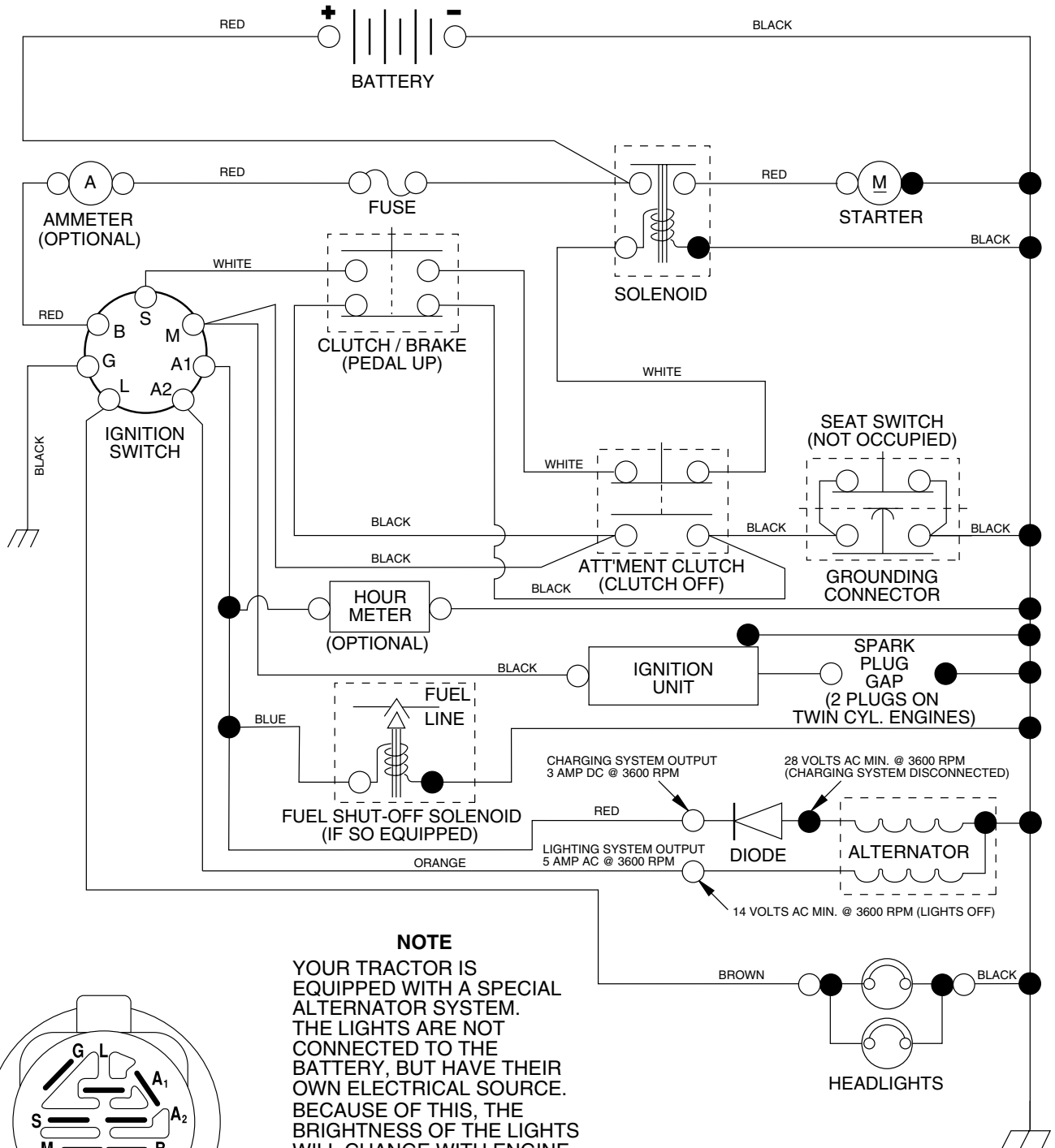


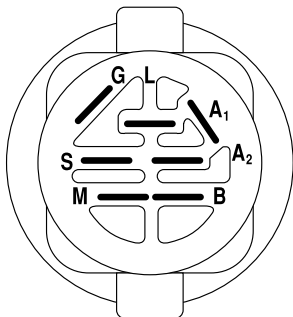
TRACTOR - - MODEL NUMBER PD185H42ST (PD185H42STC)

SCHEMATIC



NOTE

YOUR TRACTOR IS EQUIPPED WITH A SPECIAL ALTERNATOR SYSTEM. THE LIGHTS ARE NOT CONNECTED TO THE BATTERY, BUT HAVE THEIR OWN ELECTRICAL SOURCE. BECAUSE OF THIS, THE BRIGHTNESS OF THE LIGHTS WILL CHANGE WITH ENGINE SPEED. AT IDLE THE LIGHTS WILL DIM. AS THE ENGINE IS SPEEDED UP, THE LIGHTS WILL BECOME THEIR BRIGHTEST.



IGNITION SWITCH

POSITION	CIRCUIT	"MAKE"
OFF	M+G+A1	NONE
RUN/LIGHT	B+A1	A2+L
RUN	B+A1	NONE
START	B + S + A1	NONE

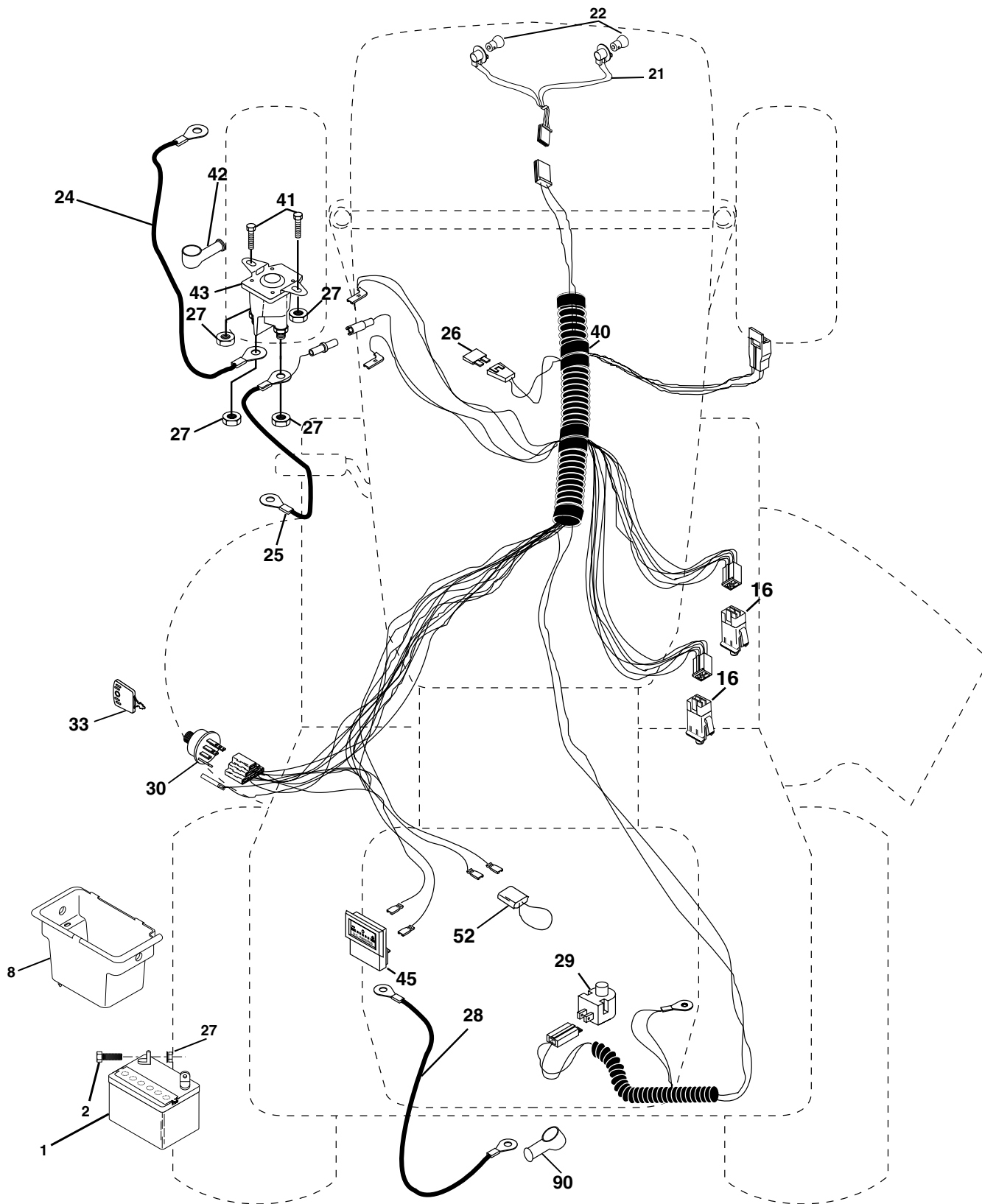
WIRING INSULATED CLIPS

NOTE: IF WIRING INSULATED CLIPS WERE REMOVED FOR SERVICING OF UNIT, THEY SHOULD BE REPLACED TO PROPERLY SECURE YOUR WIRING.

NON-REMOVABLE CONNECTIONS

REMOVABLE CONNECTIONS

TRACTOR -- MODEL NUMBER PD185H42ST (PD185H42STC) ELECTRICAL



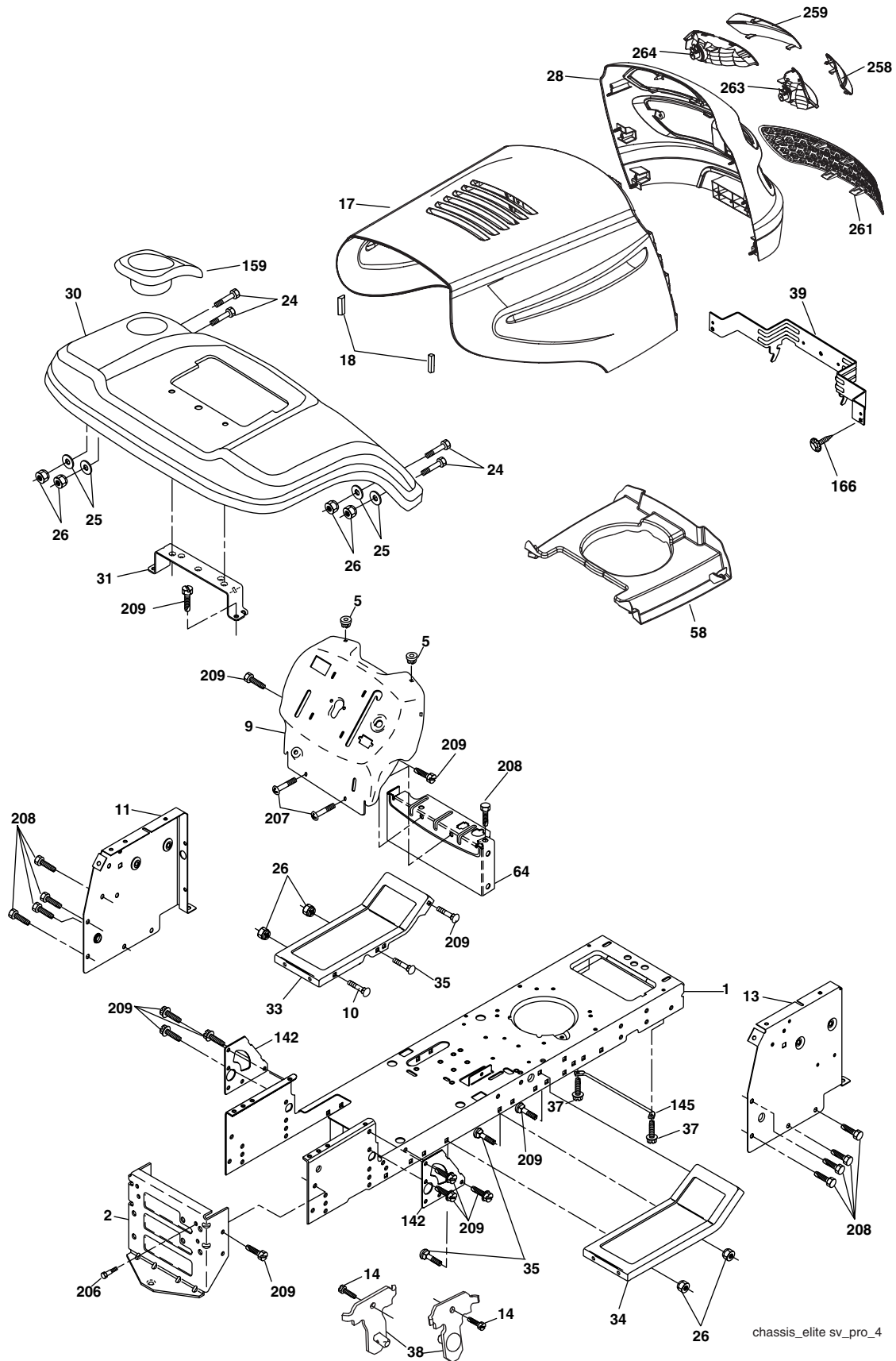
TRACTOR - - MODEL NUMBER PD185H42ST (PD185H42STC)
ELECTRICAL

KEY NO.	PART NO.	DESCRIPTION
1	163465	Battery
2	74760412	Bolt Hex Hd 1/4-20 unc x 3/4
8	176689	Box Battery
16	176138	Switch Interlock
21	183759	Harness Socket Light
22	4152J	Bulb, Light # 1156
24	4799J	Cable Battery
25	146147	Cable Battery 6 Ga. Red w/16 wire 44"
26	175158	Fuse
27	73510400	Nut Keps Hex 1/4-20 unc
28	4207J	Cable Ground 12" Blk 6 Ga.
29	121305X	Switch Plunger Nc Gray
30	175566	Switch Ign
33	140401	Key Ign Molded Generic
40	179720	Harness Ign
41	71110408	Bolt Fin Hex 1/4-20 unc x 1/2
42	131563	Cover Terminal Red
43	178861	Solenoid
45	121433X	Ammeter Rectangular
52	141940	Protection Loop
90	180449	Cover Terminal

NOTE: All component dimensions given in U.S. inches
1 inch = 25.4 mm

TRACTOR - - MODEL NUMBER PD185H42ST (PD185H42STC)

CHASSIS



chassis_elite sv_pro_4

TRACTOR - - MODEL NUMBER PD185H42ST (PD185H42STC)

CHASSIS

KEY NO.	PART NO.	DESCRIPTION
1	174619	Chassis
2	176554	Drawbar
5	155272	Bumper Hood/Dash
9	187846X012	Dash P/L
10	72140608	Bolt Carriage 3/8-16 x 1
11	174996	Panel Dash Lh
13	179174X010	Panel Dash Rh
14	17490608	Screw Thdrol 3/8-16 x 1/2
17	183393X428	Hood
18	184921	Bumper Hood
24	74780616	Bolt Fin Hex 3/8-16 unc x 1 Gr. 5
26	73800600	Nut Lock Hex W/Ins 3/8-16 unc
28	183828	Grille/Lens Asm (Includes Nos. 258, 259, 261, 263, 264)
30	169470X428	Fender
31	136619	Bracket Fender
33	179716X428	Footrest LH
34	179717X428	Footrest RH
35	72110606	Bolt RDHD SHT SQNK 3/8-16 x 3/4
37	17490508	Screw Thdrol 6/16-18 x 1/2 TYT
38	175710	Bracket Asm Pivot Mower Rear
39	174714	Bracket Pivot
58	184322	Duct Air
64	154798	Dash Lower STLT
142	175702	Plate Reinforcement STLT
145	156524	Rod Pivot Chassis/Hood
159	169473X428	Cupholder
166	191611	Screw 10 x 3/4 Single Lead-Hex
206	170165	Bolt Shoulder 5/16-18
208	17670608	Screw Thdrol 3/8-16 x 1/2
209	17000612	Screw Hexwsh Thdr 3/8-16 x 3/4
258	183835X599	Lens Grille Pro RH
259	183834X599	Lens Grille Pro LH
261	183829Z428	Insert Grille
263	183832	Bezel Grille LH
264	183833	Bezel Grille RH
--	5479J	Plug BTN BIK
--	187801	Plug Dome Plastic

NOTE: All component dimensions given in U.S. inches
1 inch = 25.4 mm

TRACTOR - - MODEL NUMBER PD185H42ST (PD185H42STC)

DRIVE

KEY NO.	PART NO.	DESCRIPTION	KEY NO.	PART NO.	DESCRIPTION
1	-----	Transaxle Peerless LTH 2000 (Order Parts From Transaxle Manufacturer)	70	134683	Guide Belt
8	165619	Rod Shift	74	137057	Spacer, Axle
10	76020416	Pin Cotter 1/8 x 1 CAD	75	121749X	Washer 25/32 x 1-1/4 x 16 Ga.
14	10040400	Washer Lock Hvy Helical	76	12000001	E-Ring
15	74490544	Bolt, Hex FLGHD 5/16-18 Gr. 5	77	123583X	Key, Square
16	73800500	Nut Lock Hex W/Ins 5/16-18 unc	78	121748X	Washer 25/32 x 1-5/8 x 16 Ga.
19	73800600	Nut Lock Hex W/Wsh 3/8-16 unc	81	178139	Shaft Asm. Cross Hydro
21	140845	Knob, Round 1/2-13	82	123782X	Spring Torsion T/A
22	178141	Rod, Brake Hydro	83	19171216	Washer 17/32 x 3/4 x 16 Ga.
24	73350600	Nut	85	150360	Nut Lock Center 1/4-28
25	106888X	Spring, Brake Rod	89	169373X428	Console, Shift
27	76020412	Pin Cotter 1/8 x 3/4 CAD.	90	142432	Screw Hex Wsh Hi-Lo 1/4-1/2 unc
28	175765	Rod, Parking Brake	95	178134	Disconnect Asm. Rod Bypass LTH
29	71673	Cap, Parking Brake	96	4497H	Retainer Spring 1" Zinc/Cad
30	169592	Bracket, Transaxle	112	19091210	Washer 9/32 x 3/4 x 10 Ga.
32	74760512	Bolt Hex Hd 5/16-18 unc x 3/4	116	72140608	Bolt RDHD SQNK 3/8-16 unc x 1
34	175578	Shaft, Foot Pedal	120	73900600	Nut Lock Flg 3/8-16 unc
35	120183X	Bearing, Nylon	150	175456	Spacer Retainer
36	19211616	Washer	151	19133210	Washer 13/32 x 2 x 10 Ga.
37	1572H	Pin, Roll	156	166002	Washer Srrtd 5/16 ID x 1.125
38	179114	Pulley, Composite	158	165589	Bracket Shift Mount
39	72110622	Bolt Rdhd 3/8-16 unc x 2-3/4 Gr. 5	159	183900	Hub Shift
41	175556	Keeper, Belt Idler	161	72140406	Bolt Rdhd Sqnk 1/4-20 x 3/4 Gr. 5
47	127783	Pulley, Idler, V-Groove	162	73680400	Nut Crownlock 1/4-20 unc
48	154407	Bellcrank Clutch Grnd Drv STL	163	74780416	Bolt Hex Fin 1/4-20 unc x 1 Gr. 5
49	123205X	Retainer, Belt	165	165623	Bracket Pivot Lever
50	72110612	Bolt Carr Sh 3/8-16 x 1-1/2 Gr. 5	166	17490510	Screw 5/16-18 x 5/8
51	73680600	Nut Crownlock 3/8-16 unc	168	165492	Bolt Shoulder 5/16-18 x .561
52	73680500	Nut Crownlock 5/16-18 unc	169	165580	Plate Fastening Lt
53	105710X	Link, Clutch	197	169613	Nyliner Snap-In 5/8" ID
55	105709X	Spring, Return, Clutch	198	169593	Washer Nyl 7/8 ID x .105
56	17060620	Screw 3/8-16 x 1-1/4	202	72110614	Bolt Carr Sh 3/8-16 x 1-3/4 Gr. 5
57	178138	V-Belt, Ground Drive	212	145212	Nut Hex flange Lock
59	169691	Keeper, Center Span	245	178122	Strap Torque LH
61	17120614	Screw 3/8-16 x .875	246	178121	Strap Torque RH
62	8883R	Cover, Pedal	247	181462	Link Shift Transaxle
63	175410	Pulley, Engine	251	17060516	Screw 5/16-18 x 1
64	173937	Bolt Hex 7/16-20 x 4 x Gr. 5-1.5 Thr	252	19131616	Washer 13/32 x 1 x 16 Ga.
65	10040700	Washer	263	17000612	Screw Hex Wsh Thdr 3/8-16 x 3/4
66	154778	Keeper Belt Engine			

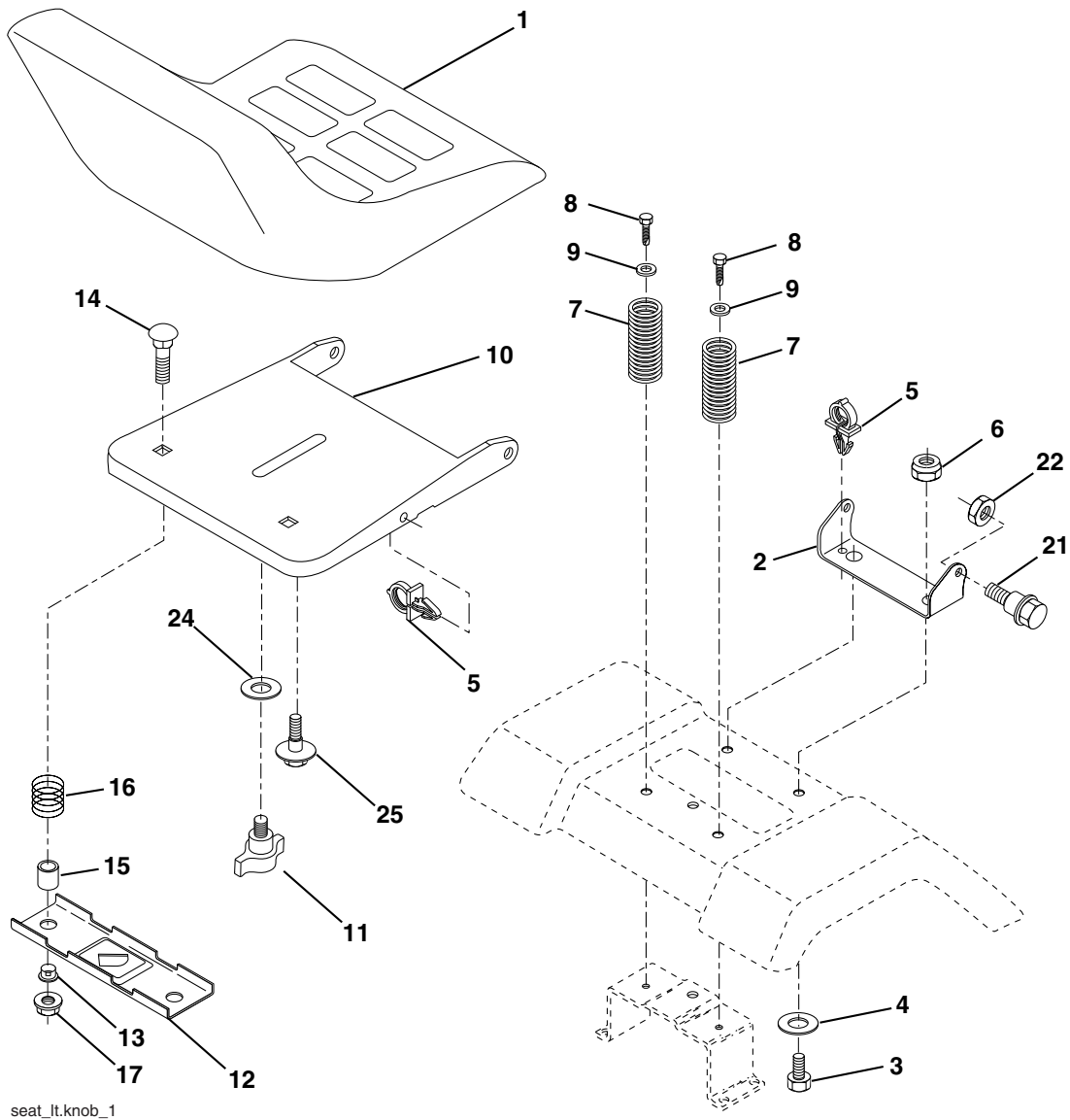
NOTE: All component dimensions given in U.S. inches
1 inch = 25.4 mm

**TRACTOR - - MODEL NUMBER PD185H42ST (PD185H42STC)
STEERING ASSEMBLY**

KEY NO.	PART NO.	DESCRIPTION
1	184704X428	Wheel Steering
2	184706	Axle Asm Cast Iron LT
3	169840	Spindle Asm LH
4	169839	Spindle Asm RH
5	6266H	Bearing Race Thrust Harden
6	121748X	Washer 25/32 x 1-5/8 x 16 Ga.
8	12000029	Ring Klip #t5304-75
10	175121	Link Drag
11	10040600	Washer Lock Hvy Hlcl Spr 3/8
12	73940800	Nut Hex Jam Toplock 1/2-20 unf
13	136518	Spacer Brg Axle Front
15	145212	Nut Hex Flange Lock
17	180641	Shaft Asm Steering
26	126847X	Bushing Link Drag
28	19131416	Washer 13/32 x 7/8 x 16 Ga.
29	17000612	Screw 3/8-16 x .75
30	76020412	Pin Cotter 1/8 x 3/4
32	130465	Rod Tie
36	155099	Bushing Strg
37	152927	Screw
38	159946X428	Insert Cap Strg Wh
39	19182411	Washer 9/16 x 1 1/20 x 11 Ga.
40	73540600	Crownlock nut
41	159945	Adaptor Wheel Strg
42	145054X428	Boot Steering Dash
43	121749X	Washer 25/32 x 1 1/4 x 16 Ga.
44	180640	Extension Steering Shaft
46	121232X	Cap Spindle Fr Top Blk
51	73540400	Nut Crownlock 1/4-28
54	71130420	Bolt Hex 1/4-28 unf x 1-1/4 Gr. 8
65	160367	Spacer Brace Axle
67	72110618	Bolt RDHD SQNK 3/8-16 x 2 1/4
71	175146	Steering Asm
68	169827	Axle, Brace
82	169835	Bracket Susp Chassis Front
87	173966	Washer Flat .781 x 1-1/2 x .14
88	175118	Bolt Shoulder 7/16-20 unc
91	175553	Clip Steering
95	188967	Washer Harden .739 x 1.637 x .060

NOTE: All component dimensions given in U.S. inches
1 inch = 25.4 mm

TRACTOR - - MODEL NUMBER PD185H42ST (PD185H42STC) SEAT ASSEMBLY



seat_lt.knob_1

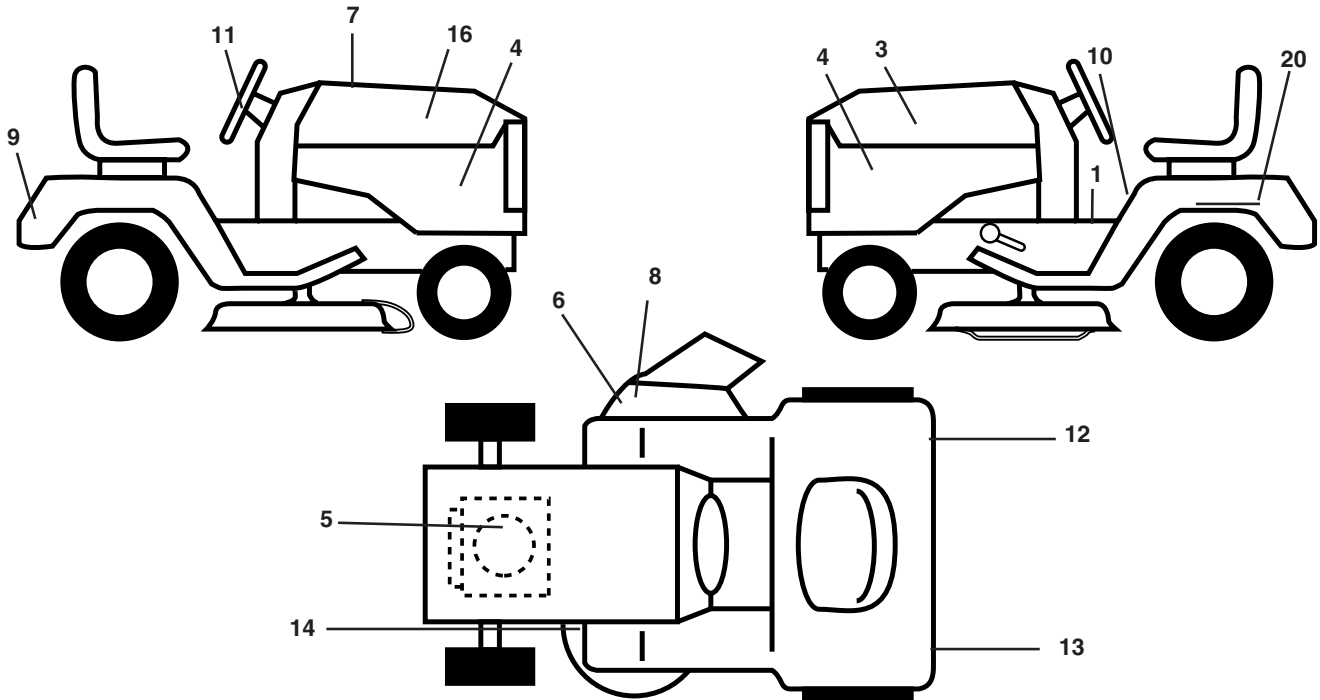
KEY NO.	PART NO.	DESCRIPTION
1	188712	Seat
2	140551	Bracket Pivot Seat 8 720
3	71110616	Bolt Fin Hex 3/8-16 unc x 1
4	19131610	Washer 13/32 x 1 x 10 Ga.
5	145006	Clip Push-In
6	73800600	Nut Hex w/Ins. 3/8-16 unc
7	124181X	Spring Seat Cprsn 2 250 Blk Zi
8	17000616	Screw 3/8-16 x 1.5 Smgml
9	19131614	Washer 13/32 x 1 x 14 Ga.
10	182493	Pan Seat
11	166369	Knob Seat
12	121246X	Bracket Mounting Switch

KEY NO.	PART NO.	DESCRIPTION
13	121248X	Bushing Snap Blk Nyl 50 Id
14	72050412	Bolt Rdhd Sqnk 1/4-20 x 1-1/2
15	134300	Spacer Split 28x 88
16	121250X	Spring Cprsn
17	123976X	Nut Lock 1/4 Lge Flg Gr. 5 Zinc
21	171852	Bolt Shoulder 5/16-18 unc
22	73800500	Nut Hex Lock W/Ins 5/16-18
24	19171912	Washer 17/32 x 1-3/16 x 12 Ga.
25	127018X	Bolt Shoulder 5/16-18 x 62

NOTE: All component dimensions given in U.S. inches
1 inch = 25.4 mm

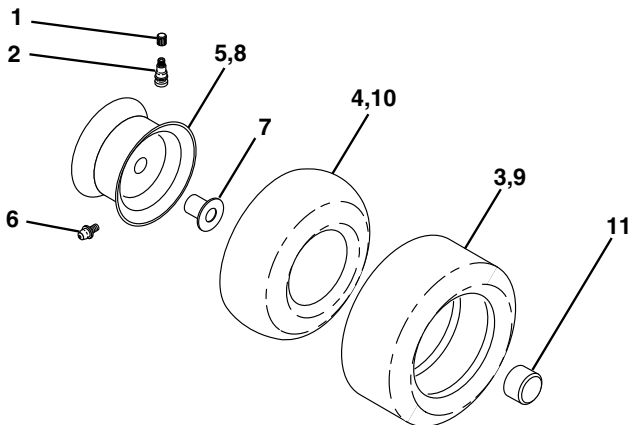
TRACTOR - - MODEL NUMBER PD185H42ST (PD185H42STC)

DECALS



KEY NO.	PART NO.	DESCRIPTION	KEY NO.	PART NO.	DESCRIPTION
1	157032	Decal Oper	14	160396	Decal V-Belt Schematic
3	186164	Decal Hood LH	16	186163	Decal Hood Rh
4	189289	Decal Side Panel Logo	20	145005	Decal Bat Dan/Psn
5	189288	Decal HP Engine	--	179768X428	Pad Footrest LH
6	170563	Decal Warning, Keep Hand Away	--	179769X428	Pad Footrest RH
7	190928	Decal Replacement Parts	--	178392	Decal Chass Disconnect LTH 2000
8	179128	Decal Deck "B" 42"	--	138311	Decal Handle Lft Height Adjust
9	172740	Decal Fender Logo	--	191794	Manual Owner's (English)
10	157140	Decal Fender Danger E/F	--	191795	Manual Owner's (French)
11	172743	Decal Ins Strg Whl			
12	173587	Decal Fend Reflector Rh			
13	173589	Decal Fend Reflector Lh			

WHEELS AND TIRES

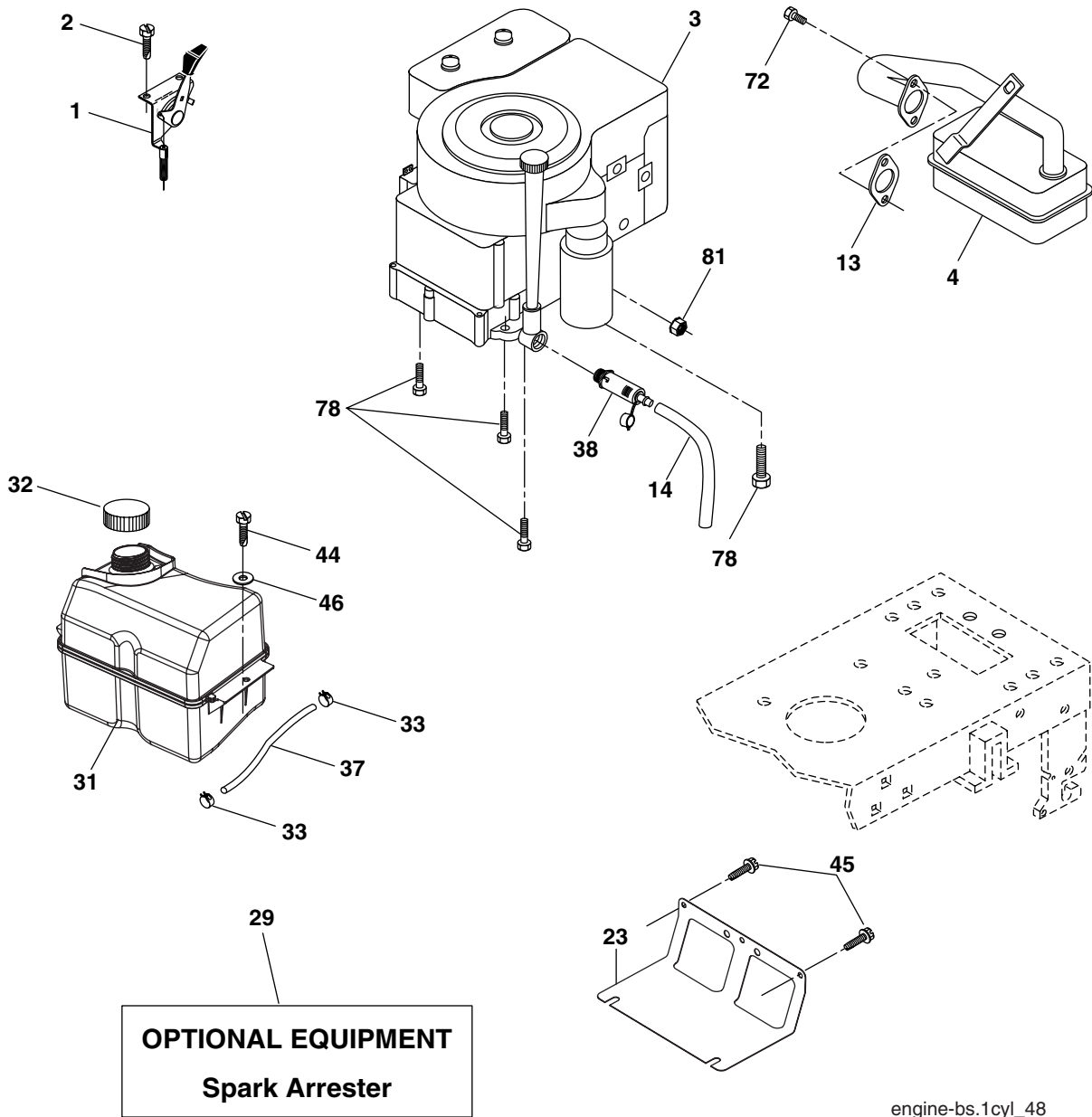


KEY NO.	PART NO.	DESCRIPTION
1	59192	Cap Valve Tire
2	65139	Stem Valve
3	106222X	Tire F T 15 x 6 0 - 6 Service
4	59904	Tube Front (Service Item Only)
5	106732X421	Rim Asm 6" front Service
6	278H	Fitting Grease (Front Wheel Only)
7	9040H	Bearing Flange (Front Wheel nly)
8	106108X421	Rim Asm 8" rear Service
9	122082X	Tire R T 20 x 10-8 Service
10	7152J	Tube Rear (Service Item Only)
11	104757X421	Cap Axle Blk 1 50 x 1 00
--	144334	Sealant, Tire (10 oz. Tube)

NOTE: All component dimensions given in U.S. inches
1 inch = 25.4 mm

TRACTOR - - MODEL NUMBER PD185H42ST (PD185H42STC)

ENGINE



engine-bs.1cyl_48

KEY NO.	PART NO.	DESCRIPTION
1	170551	Control, Throttle
2	17720408	Screw Hex Thd Cut 1/4-20 x 1/2
3	-----	Engine Briggs Model 31P777 (Order Parts from Engine Mfg.)
4	137352	Muffler
13	165291	Muffler Gasket
14	148456	Tube Oil Drain
23	169837	Shield, Browning/Debris Guard
29	137180	Arrester, Spark
31	185534	Tank, Fuel
32	140527	Cap, Fuel
33	123487X	Clamp, Hose Blk
37	137040	Line, Fuel
38	181654	Plug Drain Oil Easy
44	17670412	Screw Hex Wsh THDROL 1/4-20 x 3/4

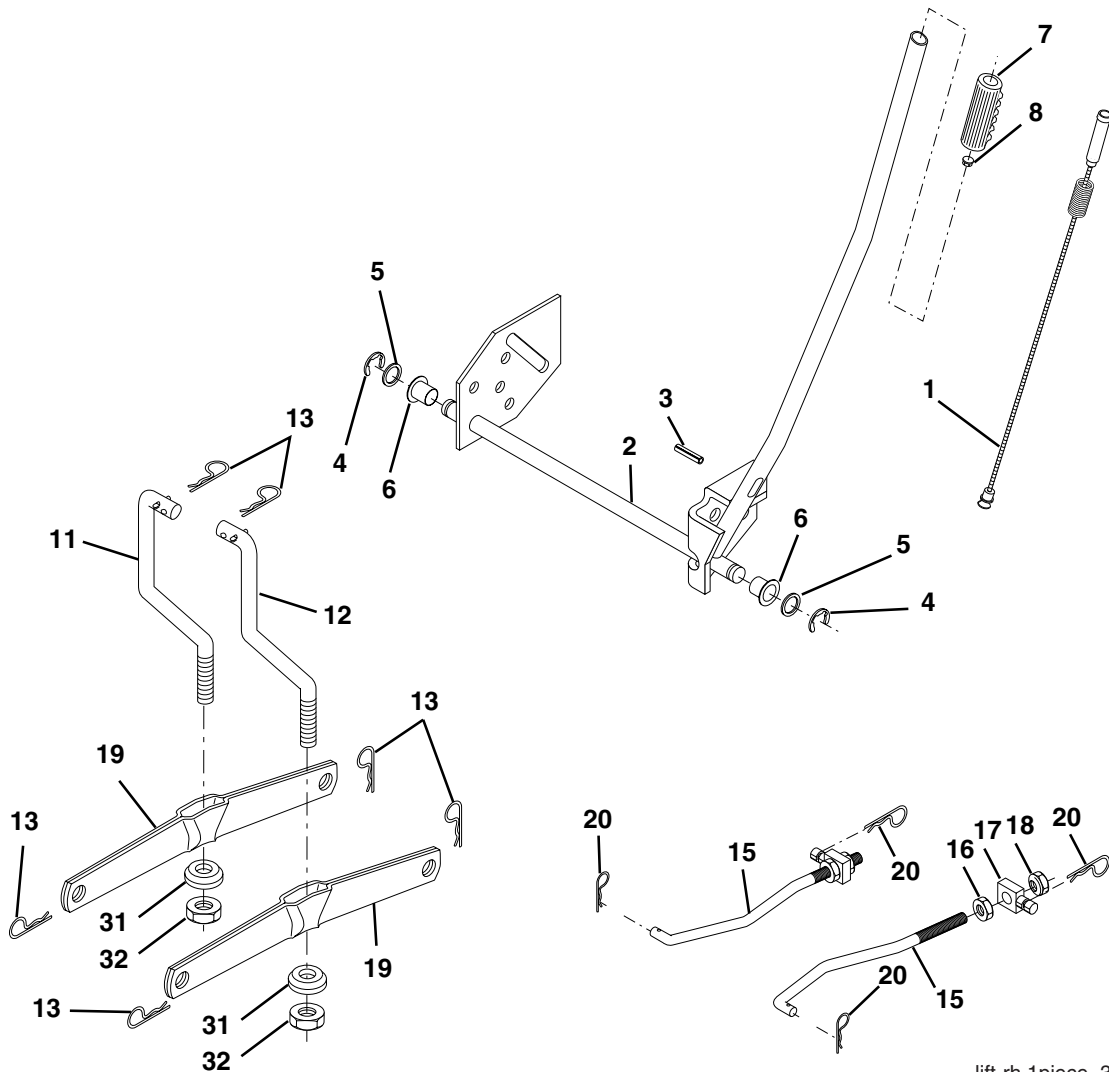
KEY NO.	PART NO.	DESCRIPTION
45	17000612	Screw Hex Wsh Thdrol 3/8-16 x 3/4
46	19091416	Washer 9/32 x 7/8 x 16 Ga.
72	183906	Screw Socket Head 5/16-18 x 1
78	17060620	Screw 3/8-16 x 1-1/4
81	73510400	Nut Keps Hex 1/4-20 unc

NOTE: All component dimensions given in U.S. inches
1 inch = 25.4 mm

For engine service and replacement parts, call the toll free number for your engine manufacturer listed below:

Briggs & Stratton	1-800-233-3723
Kohler Co.	1-800-544-2444
Tecumseh Products	1-800-558-5402
Honda Engines	1-800-426-7701
Kawasaki	1-949-460-5688

TRACTOR - - MODEL NUMBER PD185H42ST (PD185H42STC)
MOWER LIFT

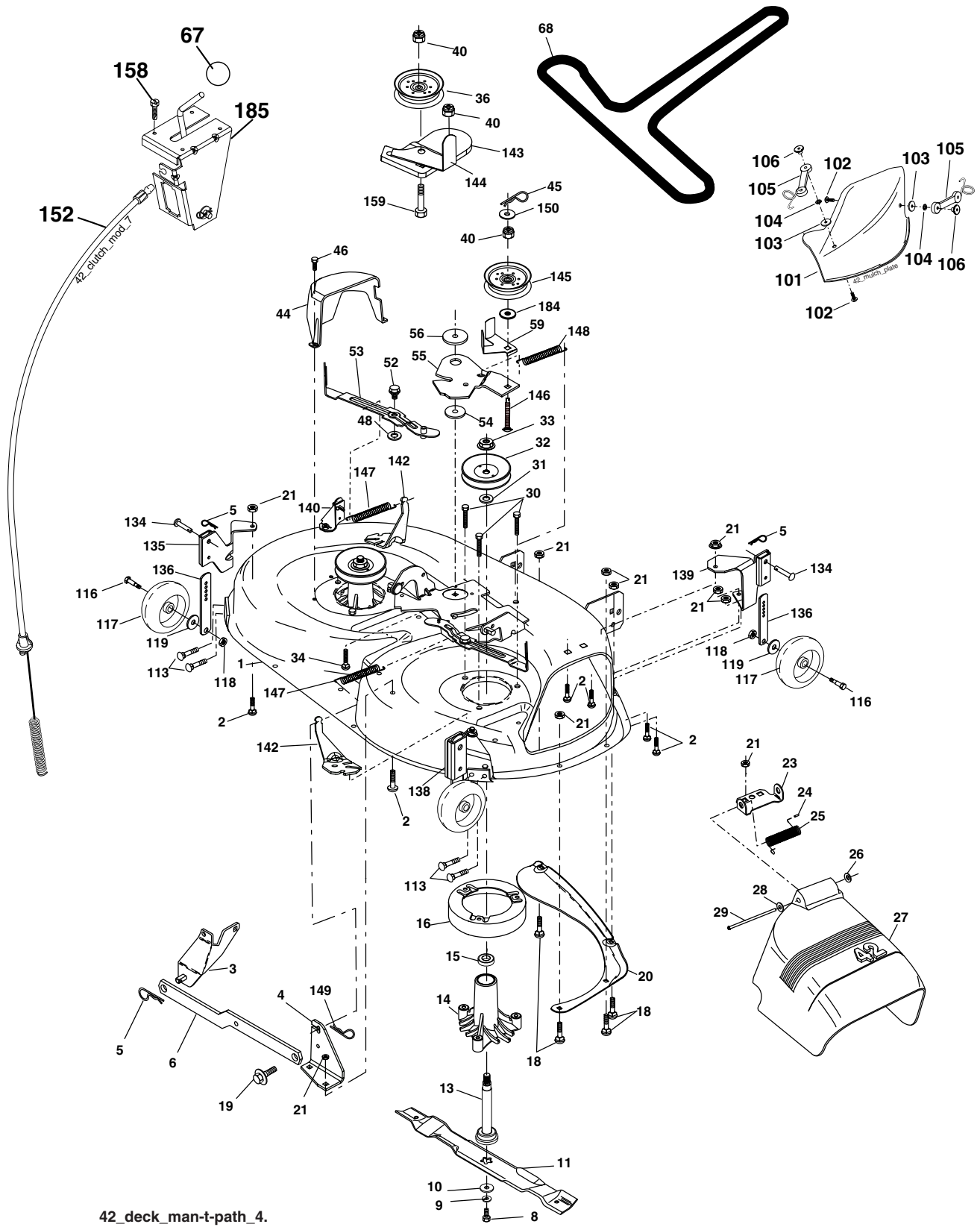


lift-rh.1piece_3

KEY NO.	PART NO.	DESCRIPTION
1	159461	Wire Asm Inner/Sprg W/plunger
2	159476	Shaft Asm Lift RH w/Inf
3	188822	Pin Groove 5/16 Dia x 1.875
4	12000002	E Ring #5133-62
5	19211621	Washer 21/32 x 1 x 21 Ga.
6	120183X	Bearing Nylon Blk 629 Id
7	125631X	Grip Handle
8	124526X	Button Plunger
11	139865	Link Lift LH Fixed Length
12	139866	Link Lift RH Fixed Length
13	4939M	Retainer Spring
15	173288	Link Front
16	73350800	Nut Jam Hex 1/2-13 unc
17	175689	Trunnion
18	73800800	Nut Lock W/Wsh 1/2-13 unc
19	139868	Arm Suspension Rear
20	163552	Retainer Spring
31	169865	Bearing Pvt Lift
32	73540600	Nut Crownlock 3/8 - 24

NOTE: All component dimensions given in U.S. inches
 1 inch = 25.4 mm

TRACTOR - - MODEL NUMBER PD185H42ST (PD185H42STC) MOWER DECK



42_deck_man-t-path_4.

TRACTOR - - MODEL NUMBER PD185H42ST (PD185H42STC)

MOWER DECK

KEY NO.	PART NO.	DESCRIPTION	KEY NO.	PART NO.	DESCRIPTION
1	182032X421	Mower Deck Assembly, 42"	56	122052X	Spacer, Retainer
2	72140506	Bolt	59	173442	Guard TUV Idler
3	138017	Bracket Asm Fr. Sway Bar 3/42	67	171598	Knob Round
4	165460	Bracket Asm Deck 42" Sway Bar	68	144959	V-Belt, 42" Mower
5	4939M	Retainer Spring	101	136420	Mulcher Cover
6	178024	Bar Sway Deck	102	71081010	Screw, Pan Hd Phillip 10-24 x 5/8
8	850857	Bolt 3/8-24 x 1.25 Gr. 8 patched	103	19061216	Washer, Flat
9	10030600	Washer, Lock	104	10071000	Washer, Lock
10	140296	Washer, Hardened	105	160793	Latch Assembly
		(The following Blades are available)	106	2029J	Nut, Weld
11	134149	Blade, Mulching 42" Std (for mulching mowers only)	113	17060512	Screw 5/16-18 x 3/4
--	139775	Blade Mulching 42" Premium (For better wear when mulching)	116	184219	Bolt, Shoulder
--	138971	Blade Mower 42" Hi-Lift (for bagging and discharging)	117	133957	Wheel, Gauge
13	137645	Shaft Assembly, Mandrel, Vented	118	73930600	Nut Centerlock 3/8-16
14	128774	Housing, Mandrel, Vented	119	19121414	Washer 3/8 x 7/8 x 14 Ga.
15	110485X	Bearing, Ball, Mandrel	134	156941	Pin Head Rivet
16	174493	Stripper, Mandrel Deck	135	159765X421	Bracket Asm. Whl Ga. R LH
18	72140505	Bolt, Carriage 5/16-18 x 5/8	136	155986	Bar Adjusting Gauge Wheel
19	132827	Bolt, Shoulder	138	159763X421	Bracket Asm Whl Ga. R RH
20	159770	Baffle, Vortex	139	159767X421	Bracket Asm. Whl Ga. F RH
21	73680500	Nut	140	159768X421	Bracket Asm Whl Ga. F LH
23	177563	Bracket, Deflector Mower 42"	142	165890	Arm Spring Brake Mower
24	105304X	Cap, Sleeve 80 x 112 Blk Mower	143	157109	Bracket Arm Idler 42"
25	123713X	Spring, Torsion, Deflector 2 52	144	173441	Keeper Belt 42" Clutch Cable
26	110452X	Nut, Push Phos & Oil	145	173437	Pulley Idler Flat
27	130968X428	Shield, Deflector 42" Blk	146	173443	Bolt Carriage Idler
28	19111016	Washer 11/32 x 5/8 x 16 Ga.	147	131335	Spring Extension
29	131491	Rod, Hinge 42" 6 75 W/G	148	169022	Spring Return Idler
30	173984	Screw Thdrol	149	165898	Retainer Spring Yellow
31	187690	Washer, Spacer Mower Vented	150	19091210	Washer 9/32 x 3/4 x 10 Ga.
32	173436	Pulley, Mandrel	152	169676	Clutch Cable 42"
33	178342	Nut, Toplock	158	17720408	Screw Hex Thd Cut 1/4-20 x 1/2
34	72110612	Bolt Carr SH 3/8-16 x 1-1/2 Gr.5	159	72140614	Bolt Rdhd Sqn 3/8-16 unc x 1-3/4
36	173438	Pulley, Idler, Flat	184	19131410	Washer 13/32 x 7/8 x 10 Ga.
40	73900600	Nut Lock 3/8-16	185	188234	Head Asm Cable Clutch
44	140088	Guard, Mandrel, LH	--	130794	Mandrel Assembly (Includes Housing Shaft and Shaft Hardware Only - Pulley Not Included)
45	4497H	Retainer	--	186917	Replacement Mower, Complete (Std. deck Order separately mulcher cover and gauge wheel components Key Nos. 101-106 and 116-119)
46	137729	Screw, Thdrol 1/4-20 x 5/8 T			
48	133944	Washer, Hardened			
52	139888	Bolt, Shoulder 5/16-18 unc			
53	184907	Arm Assembly, Pad, Brake			
54	178515	Washer, Hardened			
55	155046	Arm, Idler			

NOTE: All component dimensions given in U.S. inches
1 inch = 25.4 mm