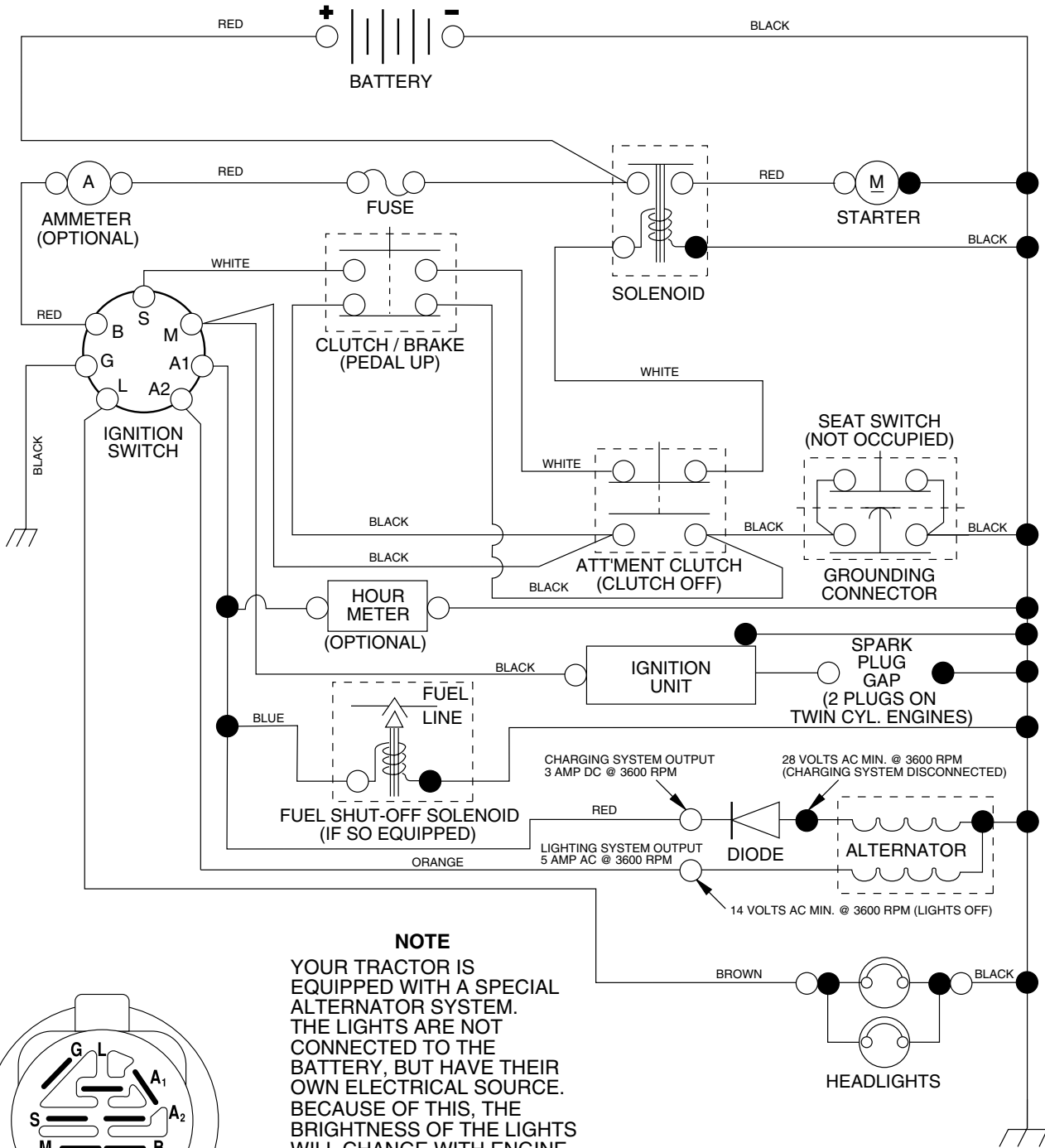


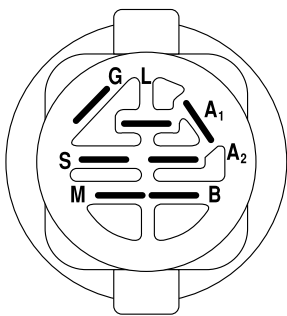
# TRACTOR - - MODEL NUMBER PD22H42STB

## SCHEMATIC



### NOTE

YOUR TRACTOR IS EQUIPPED WITH A SPECIAL ALTERNATOR SYSTEM. THE LIGHTS ARE NOT CONNECTED TO THE BATTERY, BUT HAVE THEIR OWN ELECTRICAL SOURCE. BECAUSE OF THIS, THE BRIGHTNESS OF THE LIGHTS WILL CHANGE WITH ENGINE SPEED. AT IDLE THE LIGHTS WILL DIM. AS THE ENGINE IS SPEEDED UP, THE LIGHTS WILL BECOME THEIR BRIGHTEST.



### IGNITION SWITCH

POSITION	CIRCUIT	"MAKE"
OFF	M+G+A1	NONE
RUN/LIGHT	B+A1	A2+L
RUN	B+A1	NONE
START	B + S + A1	NONE

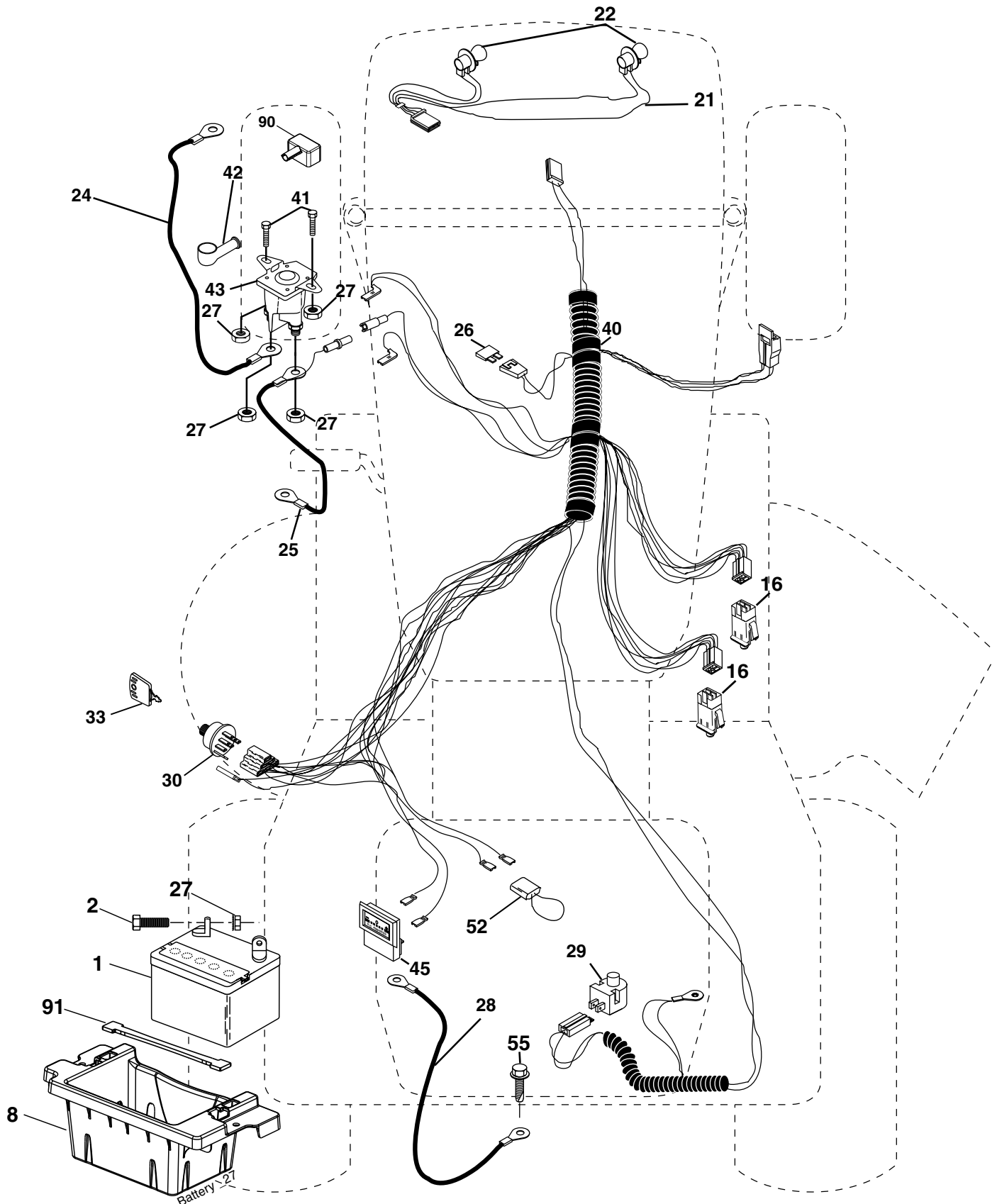
### WIRING INSULATED CLIPS

**NOTE:** IF WIRING INSULATED CLIPS WERE REMOVED FOR SERVICING OF UNIT, THEY SHOULD BE REPLACED TO PROPERLY SECURE YOUR WIRING.

02363

# TRACTOR -- MODEL NUMBER PD22H42STB

## ELECTRICAL



# TRACTOR - - MODEL NUMBER PD22H42STB

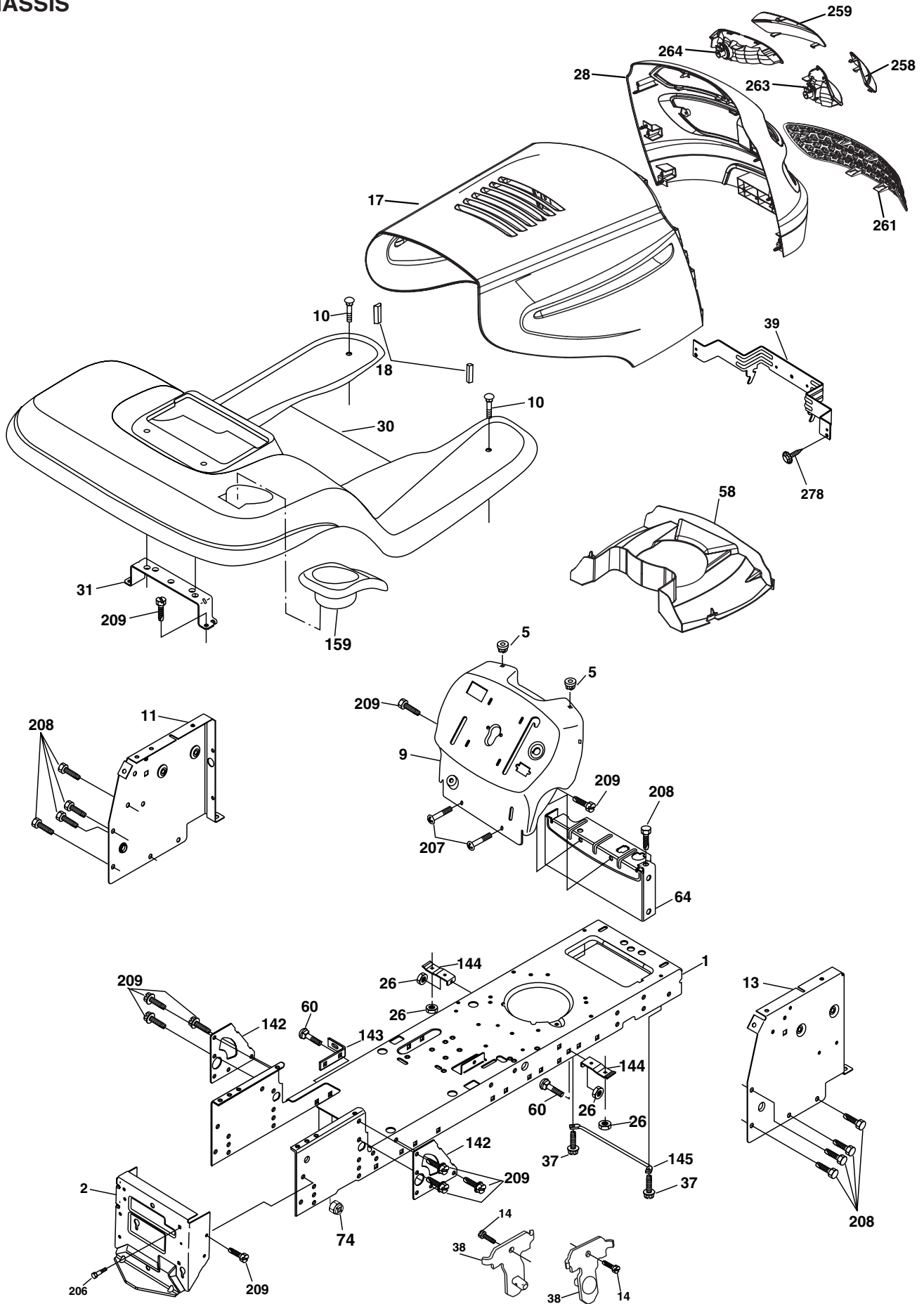
## ELECTRICAL

KEY NO.	PART NO.	DESCRIPTION
1	144927	Battery
2	74760412	Bolt Hex Hd 1/4-20 unc x 3/4
8	<b>186491</b>	Tray Box
16	176138	Switch Interlock
21	183759	Harness Socket Light
22	4152J	Bulb, Light # 1156
24	4799J	Cable Battery
25	146148	Cable Battery 6 Ga. Red w/16 wire
26	175158	Fuse
27	73510400	Nut Keps Hex 1/4-20 unc
28	145491	Cable Ground 21" Blk 6 Ga.
29	121305X	Switch Plunger Nc Gray
30	175566	Switch Ign
33	140401	Key Ign Molded Generic
40	179720	Harness Ign
41	71110408	Bolt Fin Hex 1/4-20 unc x 1/2
42	131563	Cover Terminal Red
43	178861	Solenoid
45	121433X	Ammeter Rectangular
52	141940	Protection Loop
55	17490508	Screw Thdrol 5/16-18 x 1/2
90	<b>180449</b>	Cover terminal Battery
91	<b>190270</b>	Strap Battery

**NOTE:** All component dimensions given in U.S. inches  
1 inch = 25.4 mm

# TRACTOR - - MODEL NUMBER PD22H42STB

## CHASSIS



# TRACTOR - - MODEL NUMBER PD22H42STB

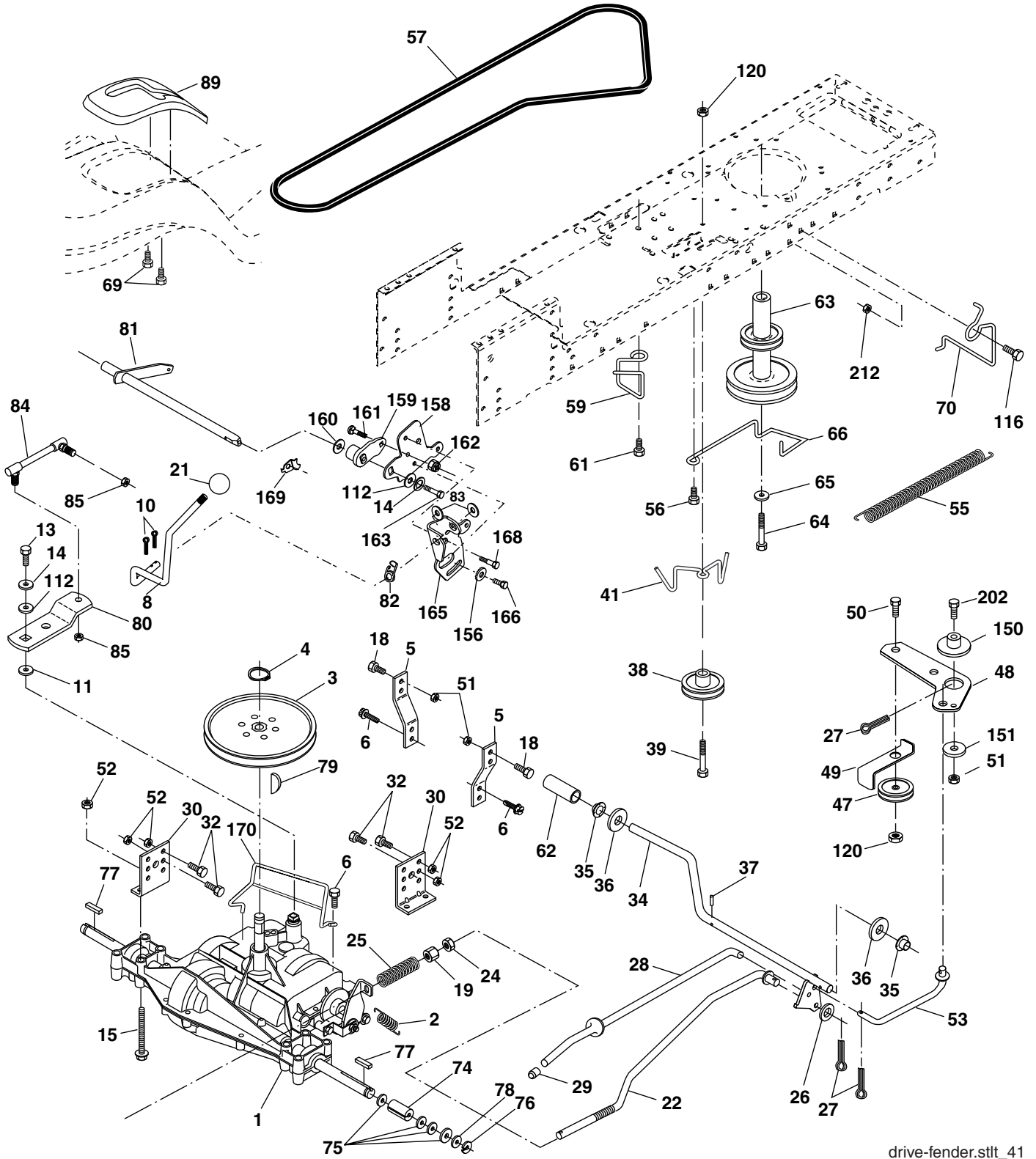
## CHASSIS

KEY NO.	PART NO.	DESCRIPTION
1	174619	Chassis
2	176554	Drawbar
5	155272	Bumper Hood/Dash
9	<b>187846X012</b>	Dash
10	72140608	Bolt Carriage 3/8-16 x 1
11	174996	Panel Dash Lh
13	175255	Panel Dash Rh
14	17490608	Screw Thdrol 3/8-16 x 1/2
17	183393X428	Hood
18	126938X	Bumper Hood
26	73800600	Nut Lock Hex W/Ins 3/8-16 unc
28	183828	Grille/Lens Asm
30	<b>188572X428</b>	Fender Footrest
31	139976	Bracket Fender
37	17490508	Screw Thdrol 6/16-18 x 1/2 TYT
38	175710	Bracket Asm Pivot Mower Rear
39	174714	Bracket Pivot
58	189350	Duct Air
60	72140606	Bolt RDHD Sqnk 3/8-16 unc x 3/4
64	154798	Dash Lower STLT
74	73680600	Nut Crownlock 3/8-16 unc
90	124346X	Nut Self Thd Wsh - HD 1/4 Zinc
142	175702	Plate Reinforcement STLT
143	186689	Bracket Swaybar Chassis
144	175582	Bracket Footrest Step-thru
145	156524	Rod Pivot Chassis/Hood
159	179950X428	Cupholder
206	170165	Bolt Shoulder 5/16-18
207	17670508	Screw Thdrol 5/16-18 x 1/2
208	17670608	Screw Thdrol 3/8-16 x 1/2
209	17000612	Screw Hexwsh Thdr 3/8-16 x 3/4
217	179132X428	Console Fuel Window
258	183835X599	Lens Grille Pro RH
259	183834X599	Lens Grille Pro LH
261	183829Z428	Insert Grille
263	183832	Bezel Grille LH
264	183833	Bezel Grille RH
278	<b>191611</b>	Screw 10 x 3/4 Single Lead-Hex

**NOTE:** All component dimensions given in U.S. inches  
1 inch = 25.4 mm

# TRACTOR -- MODEL NUMBER PD22H42STB

## DRIVE



drive-fender.stlt\_41

# TRACTOR - - MODEL NUMBER PD22H42STB

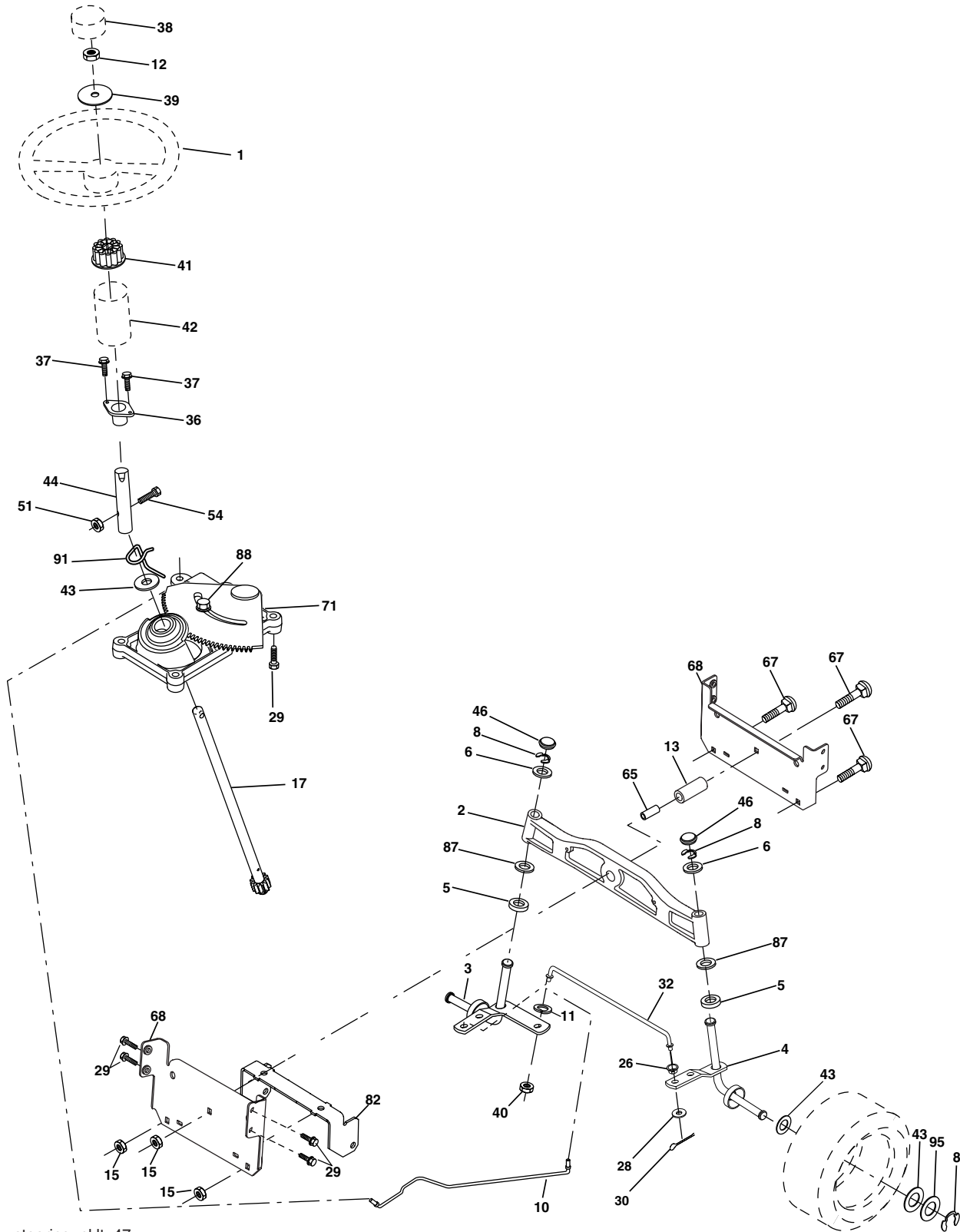
## DRIVE

KEY NO.	PART NO.	DESCRIPTION	KEY NO.	PART NO.	DESCRIPTION
1	-----	Transaxle Hydro Gear 314-0510 (Order Parts From Transaxle Manufacturer)	66	154778	Keeper Belt Engine
8	165866	Rod Shift	69	<b>142432</b>	Screw Hex Wsh Hi-Lo 1/4 x 1/2 unc
10	76020416	Pin Cotter 1/8 x 1 CAD	70	134683	Guide Belt
14	10040400	Washer Lock Hvy Helical	71	169183	Strap Torque Lh Hydro
15	74490544	Bolt, Hex FLGHD 5/16-18 Gr. 5	73	169182	Strap Torque Rh Hydro
16	73800500	Nut Lock Hex W/Ins 5/16-18 unc	74	137057	Spacer, Axle
19	73800600	Nut Lock Hex W/Wsh 3/8-16 unc	75	121749X	Washer 25/32 x 1-1/4 x 16 Ga.
21	140845	Knob, Round 1/2-13	76	12000001	E-Ring
22	169498	Rod, Brake Hydro	77	123583X	Key, Square
24	73350600	Nut	78	121748X	Washer 25/32 x 1-5/8 x 16 Ga.
25	106888X	Spring, Brake Rod	81	165596	Shaft Asm. Cross Hydro
26	19131316	Washer	82	165711	Spring Torsion T/A
27	76020412	Pin Cotter 1/8 x 3/4 CAD.	83	19171216	Washer 17/32 x 3/4 x 16 Ga.
28	175765	Rod, Parking Brake	84	169594	Link Transaxle
29	71673	Cap, Parking Brake	89	<b>188309X428</b>	Console, Shift
30	169592	Bracket, Transaxle	95	170201	Control Asm Bypass Hydro
32	74760512	Bolt Hex Hd 5/16-18 unc x 3/4	96	4497H	Retainer Spring 1" Zinc/Cad
34	175578	Shaft, Foot Pedal	116	72140608	Bolt RDHD SQNK 3/8-16 unc x 1
35	120183X	Bearing, Nylon	120	73900600	Nut Lock Flg 3/8-16 unc
36	19211616	Washer	150	175456	Spacer Retainer
37	1572H	Pin, Roll	151	19133210	Washer 13/32 x 2 x 10 Ga.
38	179114	Pulley, Composite	156	166002	Washer Srrtd 5/16 ID x 1.125
39	72110622	Bolt Rdhd 3/8-16 unc x 2-3/4 Gr. 5	158	165589	Bracket Shift Mount
41	175556	Keeper, Belt Idler	159	183900	Hub Shift
47	127783	Pulley, Idler, V-Groove	161	72140406	Bolt Rdhd Sqnk 1/4-20 x 3/4 Gr. 5
48	154407	Bellcrank Clutch Grnd Drv STL	162	73680400	Nut Crownlock 1/4-20 unc
49	123205X	Retainer, Belt	163	74780416	Bolt Hex Fin 1/4-20 unc x 1 Gr. 5
50	72110612	Bolt Carr Sh 3/8-16 x 1-1/2 Gr. 5	164	19091210	Washer 9/32 x 3/4 x 10 Ga.
51	73680600	Nut Crownlock 3/8-16 unc	165	165623	Bracket Pivot Lever
52	73680500	Nut Crownlock 5/16-18 unc	166	17490510	Screw 5/16-18 x 5/8
53	105710X	Link, Clutch	168	165492	Bolt Shoulder 5/16-18 x .561
55	105709X	Spring, Return, Clutch	169	165580	Plate Fastening Lt
56	17060620	Screw 3/8-16 x 1-1/4	197	169613	Nyliner Snap-In 5/8" ID
57	140294	V-Belt, Ground Drive	198	169593	Washer Nyl 7/8 ID x .105
59	169691	Keeper, Center Span	199	169612	Bolt Shoulder 5/16-18 unc
61	17120614	Screw 3/8-16 x .875	200	72140508	Bolt Rdhd Sqnk 5/16-18 unc x 1
62	8883R	Cover, Pedal	202	72110614	Bolt Carr Sh 3/8-16 x 1-3/4 Gr. 5
63	175410	Pulley, Engine	212	145212	Nut Hex flange Lock
64	173937	Bolt Hex 7/16-20 x 4 x Gr. 5-1.5 Thr			
65	10040700	Washer			

**NOTE:** All component dimensions given in U.S. inches  
1 inch = 25.4 mm

# TRACTOR - - MODEL NUMBER PD22H42STB

## STEERING ASSEMBLY



steering\_pl.lt\_47



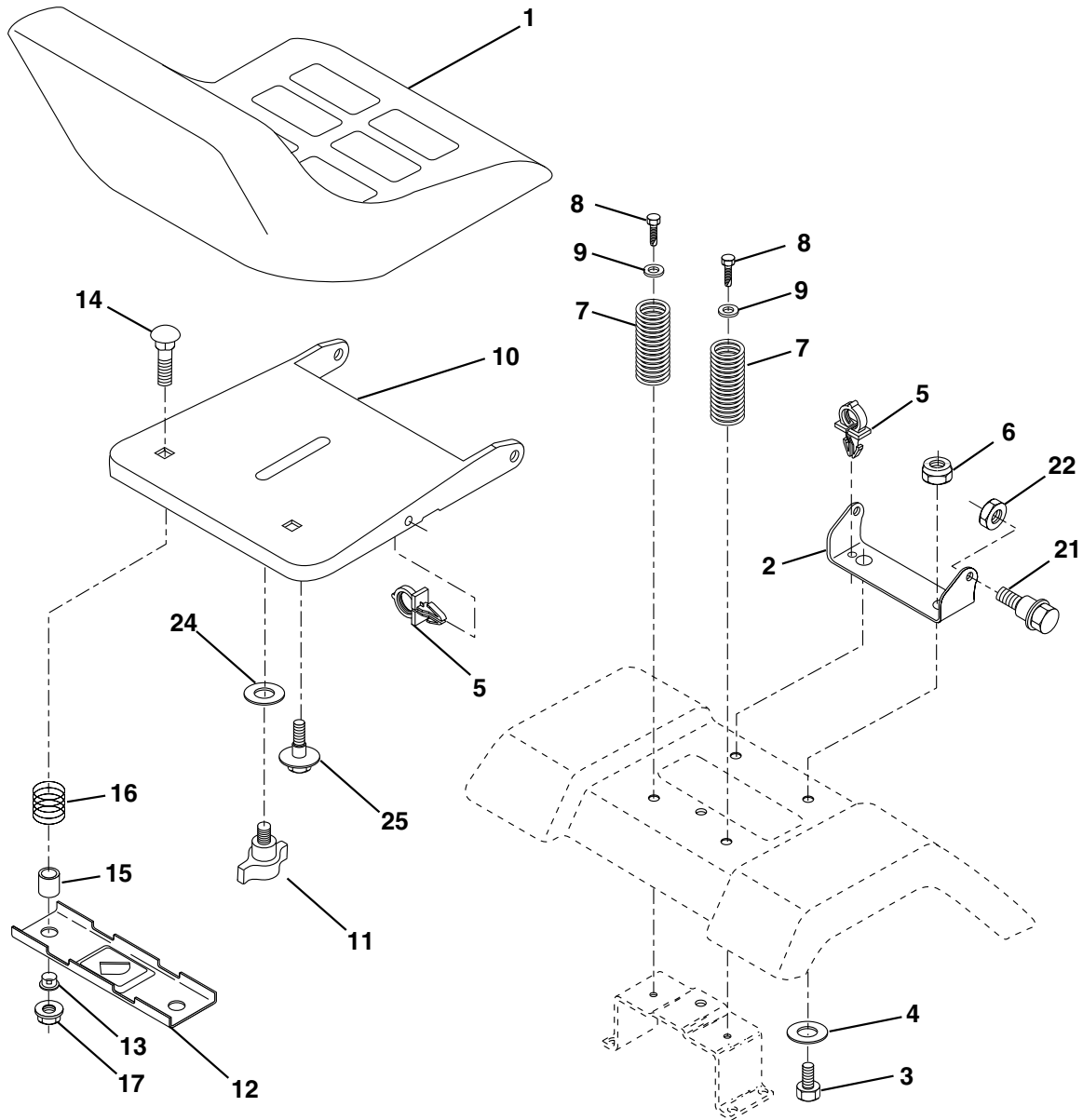
**TRACTOR - - MODEL NUMBER PD22H42STB**  
**STEERING ASSEMBLY**

KEY NO.	PART NO.	DESCRIPTION
1	184704X428	Wheel Steering
2	184706	Axle Asm Cast Iron LT
3	169840	Spindle Asm LH
4	169839	Spindle Asm RH
5	6266H	Bearing Race Thrust Harden
6	121748X	Washer 25/32 x 1-5/8 x 16 Ga.
8	12000029	Ring Klip #t5304-75
10	175121	Link Drag
11	10040600	Washer Lock Hvy Hlcl Spr 3/8
12	73940800	Nut Hex Jam Toplock 1/2-20 unf
13	136518	Spacer Brg Axle Front
15	145212	Nut Hex Flange Lock
17	180641	Shaft Asm Steering
26	126847X	Bushing Link Drag
28	19131416	Washer 13/32 x 7/8 x 16 Ga.
29	17000612	Screw 3/8-16 x .75
30	76020412	Pin Cotter 1/8 x 3/4
32	130465	Rod Tie
36	155099	Bushing Strg
37	152927	Screw
38	159946X428	Insert Cap Strg Wh
39	19182411	Washer 9/16 x 1 1/20 x 11 Ga.
40	73540600	Crownlock nut
41	159945	Adaptor Wheel Strg
42	145054X428	Boot Steering Dash
43	121749X	Washer 25/32 x 1 1/4 x 16 Ga.
44	180640	Extension Steering Shaft
46	121232X	Cap Spindle Fr Top Blk
51	73540400	Nut Crownlock 1/4-28
54	71130420	Bolt Hex 1/4-28 unf x 1-1/4 Gr. 8
65	160367	Spacer Brace Axle
67	72110618	Bolt RDHD SQNK 3/8-16 x 2 1/4
71	175146	Steering Asm
68	169827	Axle, Brace
82	169835	Bracket Susp Chassis Front
87	173966	Washer Flat .781 x 1-1/2 x .14
88	175118	Bolt Shoulder 7/16-20 unc
91	175553	Clip Steering
95	188967	Washer Harden .739 x 1.637 x 060

**NOTE:** All component dimensions given in U.S. inches  
1 inch = 25.4 mm

# TRACTOR - - MODEL NUMBER PD22H42STB

## SEAT ASSEMBLY



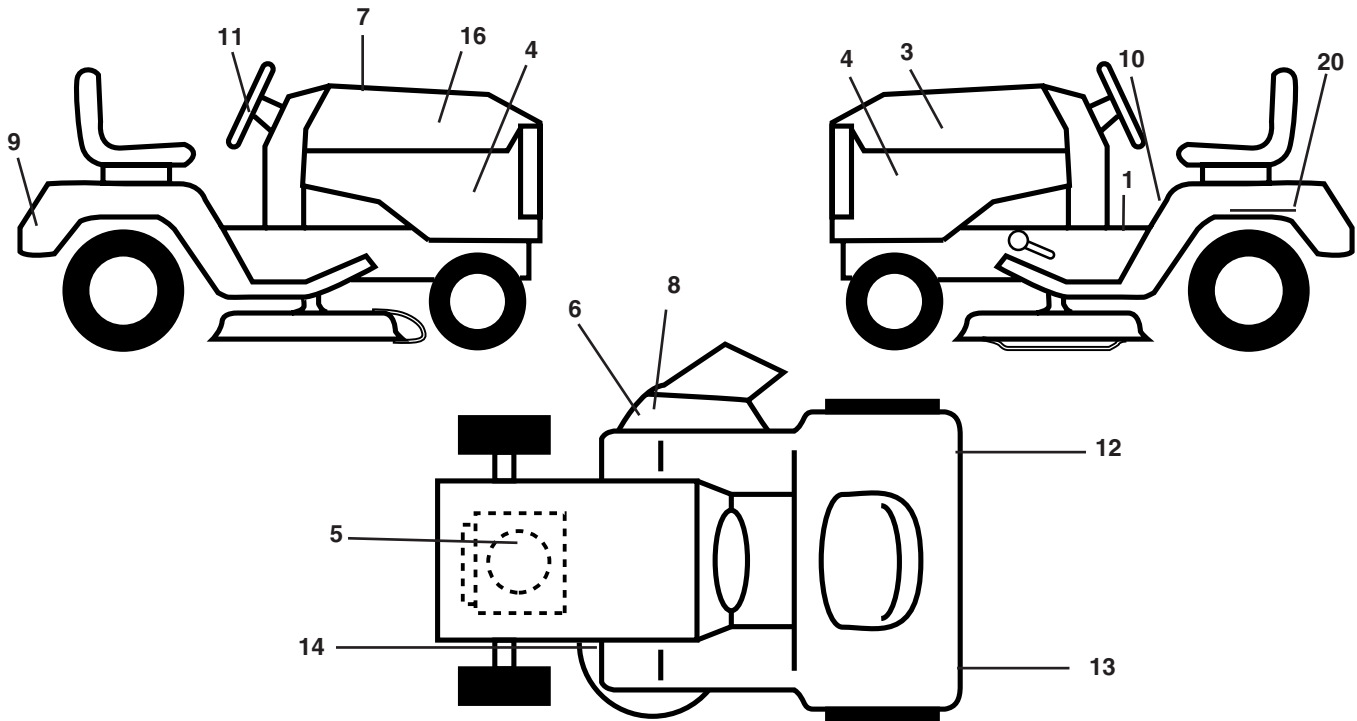
KEY NO.	PART NO.	DESCRIPTION
1	188720	Seat
2	140551	Bracket Pivot Seat 8 720
3	71110616	Bolt Fin Hex 3/8-16 unc x 1
4	19131610	Washer 13/32 x 1 x 10 Ga.
5	145006	Clip Push-In
6	73800600	Nut Hex w/Ins. 3/8-16 unc
7	124181X	Spring Seat Cprsn 2 250 Blk Zi
8	17000616	Screw 3/8-16 x 1.5 Smgml
9	19131614	Washer 13/32 x 1 x 14 Ga.
10	182493	Pan Seat
11	166369	Knob Seat
12	121246X	Bracket Mounting Switch

KEY NO.	PART NO.	DESCRIPTION
13	121248X	Bushing Snap Blk Nyl 50 Id
14	72050412	Bolt Rdhd Sqnk 1/4-20 x 1-1/2
15	134300	Spacer Split 28x 88
16	121250X	Spring Cprsn
17	123976X	Nut Lock 1/4 Lge Flg Gr. 5 Zinc
21	171852	Bolt Shoulder 5/16-18 unc
22	73800500	Nut Hex Lock W/Ins 5/16-18
24	19171912	Washer 17/32 x 1-3/16 x 12 Ga.
25	127018X	Bolt Shoulder 5/16-18 x 62

**NOTE:** All component dimensions given in U.S. inches  
1 inch = 25.4 mm

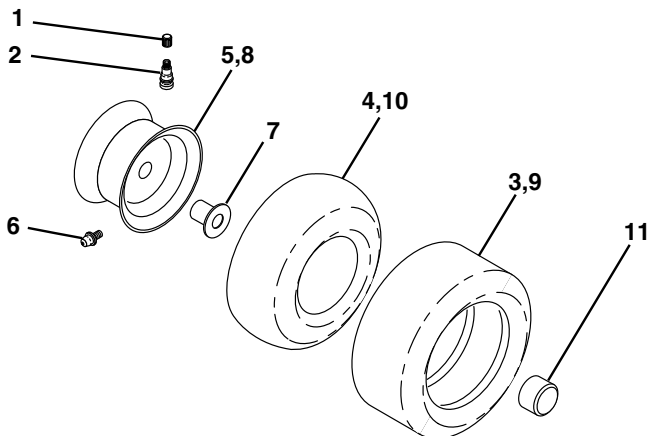
# TRACTOR -- MODEL NUMBER PD22H42STB

## DECALS



KEY NO.	PART NO.	DESCRIPTION	KEY NO.	PART NO.	DESCRIPTION
1	157032	Decal Oper	14	160396	Decal V-Belt Schematic
3	186164	Decal Hood LH	16	186163	Decal Hood Rh
4	189033	Decal Side Panel Logo	20	145005	Decal Bat Dan/Psn
5	189489	Decal HP Engine	--	166960	Decal By Pass Lt Hydro
6	170563	Decal Warning, Keep Hand Away	--	184310X428	Pad Footrest LH
7	189118	Decal Replacement Parts	--	184311X428	Pad Footrest RH
8	179128	Decal Deck "B" 42"	--	138311	Decal Handle Lft Height Adjust
9	172740	Decal Fender Logo	--	<b>191897</b>	Manual Owner's (English)
10	157140	Decal Fender Danger E/F	--	<b>191898</b>	Manual Owner's (French)
11	172743	Decal Ins Strg Whl			
12	173587	Decal Fend Reflector Rh			
13	173589	Decal Fend Reflector Lh			

## WHEELS AND TIRES

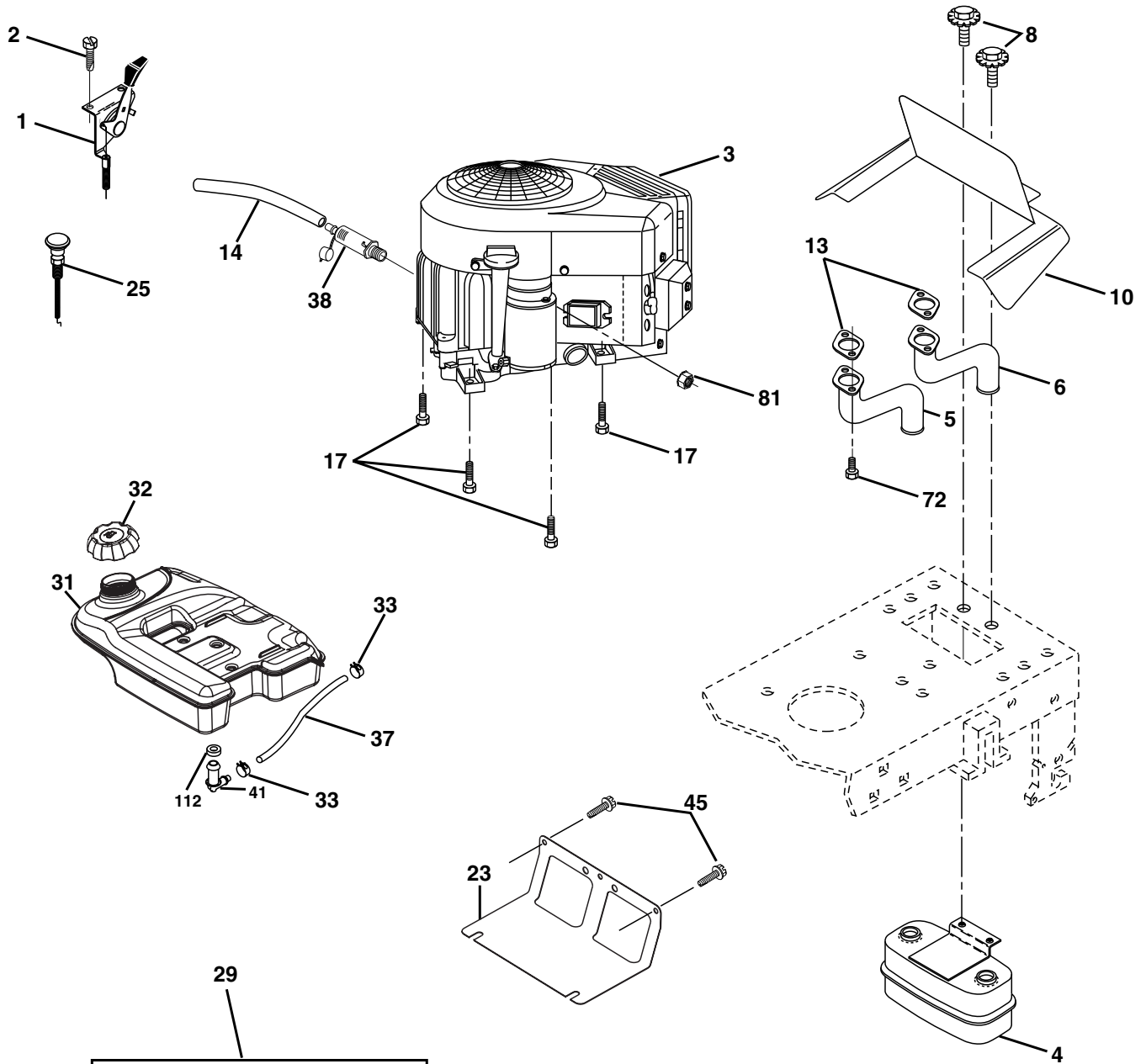


KEY NO.	PART NO.	DESCRIPTION
1	59192	Cap Valve Tire
2	65139	Stem Valve
3	106222X	Tire F T 15 x 6 0 - 6 Service
4	59904	Tube Front (Service Item Only)
5	106732X421	Rim Asm 6" front Service
6	278H	Fitting Grease (Front Wheel Only)
7	9040H	Bearing Flange (Front Wheel nly)
8	106108X421	Rim Asm 8" rear Service
9	122082X	Tire R T 20 x 10-8 Service
10	7152J	Tube Rear (Service Item Only)
11	104757X421	Cap Axle Blk 1 50 x 1 00
--	144334	Sealant, Tire ( 10 oz. Tube)

**NOTE:** All component dimensions given in U.S. inches  
1 inch = 25.4 mm

# TRACTOR - - MODEL NUMBER PD22H42STB

## ENGINE



**OPTIONAL EQUIPMENT**  
**Spark Arrester**

engine-bs intek-twin\_39

# TRACTOR - - MODEL NUMBER PD22H42STB

## ENGINE

KEY NO.	PART NO.	DESCRIPTION
1	170771	Control, Throttle
2	17720408	Screw Hex Thd Cut 1/4-20 x 1/2
3	-----	Engine Briggs Model 407577 (Order Parts from Engine Mfg.)
4	149723	Muffler, Asm. Twin Lo-Tone
5	160589	Pipe Exhaust Intek 20 RH
6	159955	Pipe Exhaust Intek 20 LH
8	171877	Bolt 5/16-18 unc x 3/4 w/Sems
10	162797	Shield Browing B&S Intek II
13	165391	Muffler Gasket
14	148456	Tube Oil Drain
17	17060624	Screw 3/8-16 x 1-1/2
23	169837	Shield, Browning/Debris Guard
25	<b>187766X428</b>	Control Choke
29	137180	Arrester, Spark
31	179022	Tank, Fuel
32	179124X428	Cap Gauge, Fuel
33	123487X	Clamp, Hose Blk
37	8543R	Line, Fuel
38	181654	Plug Drain Oil Easy
41	139277	Stem Tank Fuel
45	17000612	Screw Hex Wsh Thdrol 3/8-16 x 3/4
72	183906	Screw Socket Head 5/16-18 x 1
81	73510400	Nut Keps Hex 1/4-20 unc
112	3645J	Bushing

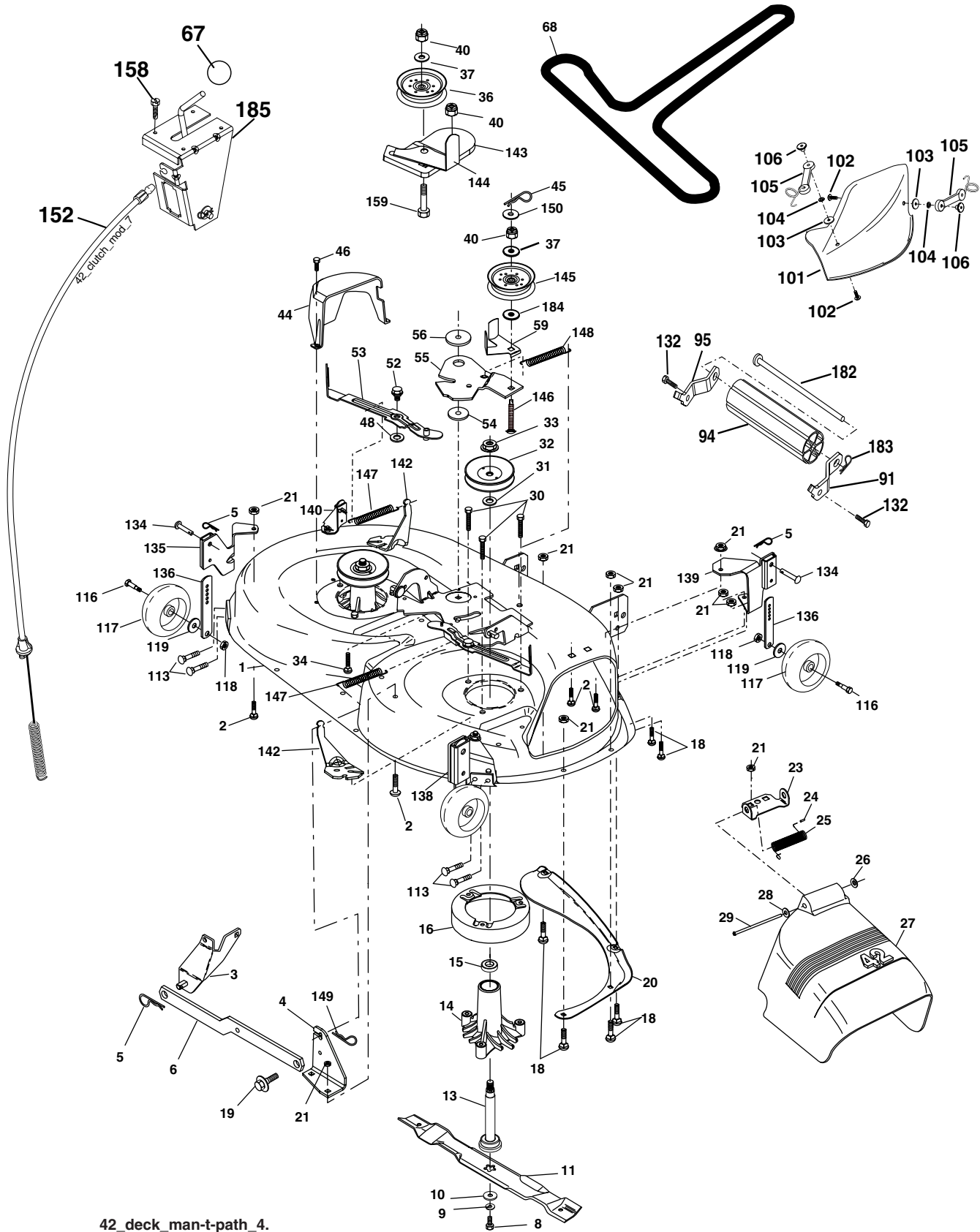
**NOTE:** All component dimensions given in U.S. inches  
1 inch = 25.4 mm

For engine service and replacement parts, call the toll free number for your engine manufacturer listed below:

Briggs & Stratton	1-800-233-3723
Kohler Co.	1-800-544-2444
Tecumseh Products	1-800-558-5402
Honda Engines	1-800-426-7701
Kawasaki	1-949-460-5688

# TRACTOR - - MODEL NUMBER PD22H42STB

## MOWER DECK



42\_deck\_man-t-path\_4.

# TRACTOR - - MODEL NUMBER PD22H42STB

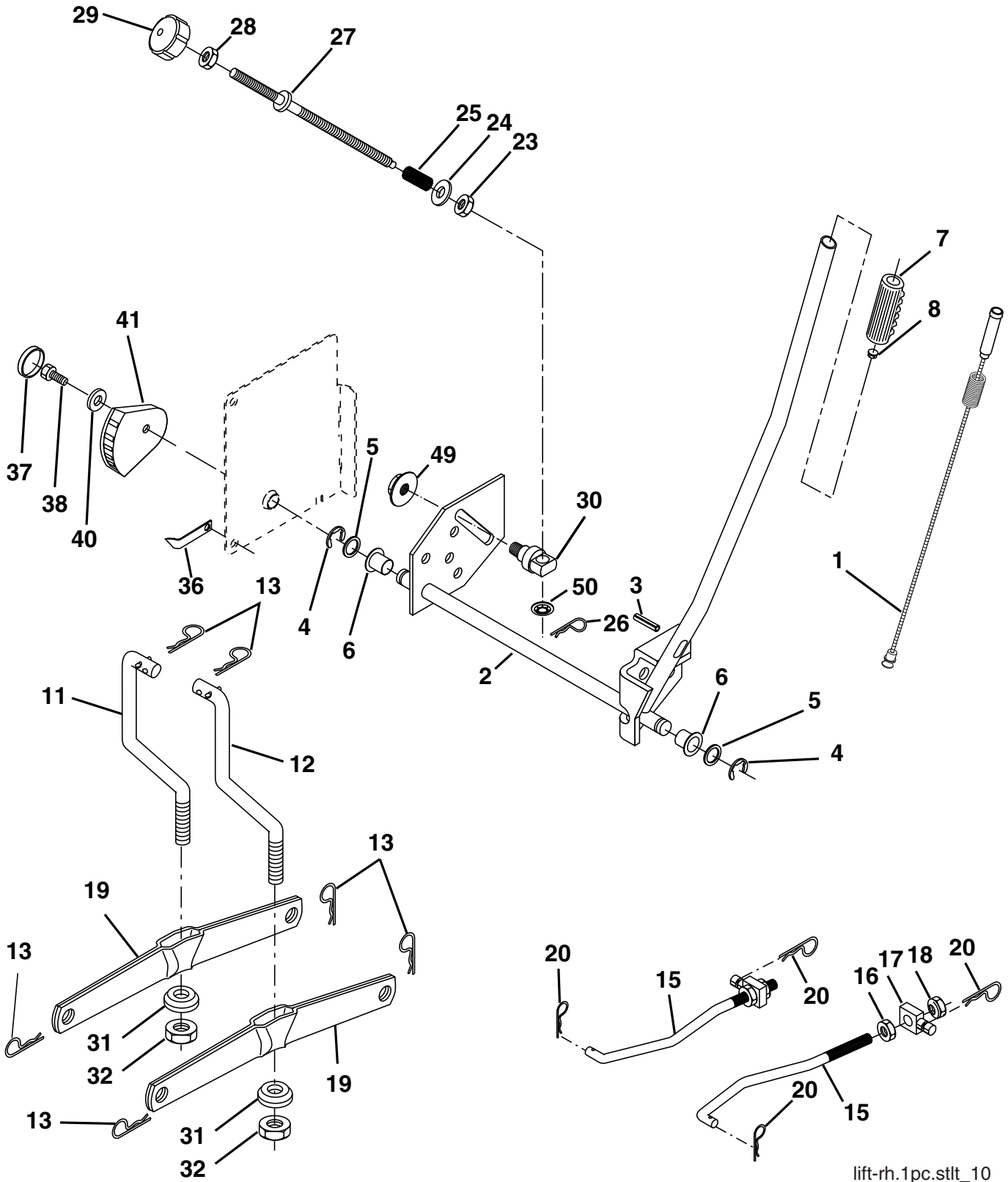
## MOWER DECK

KEY NO.	PART NO.	DESCRIPTION	KEY NO.	PART NO.	DESCRIPTION
1	182032X421	Mower Deck Assembly, 42"	94	132264	Roller Nose 38 & 42
2	72140506	Bolt	95	180533	Bracket Asm Noseroller RH
3	138017	Bracket Asm Fr. Sway Bar 3/42	101	136420	Mulcher Cover
4	165460	Bracket Asm Deck 42" Sway Bar	102	71081010	Screw, Pan Hd Phillip 10-24 x 5/8
5	4939M	Retainer Spring	103	19061216	Washer, Flat
6	178024	Bar Sway Deck	104	10071000	Washer, Lock
8	850857	Bolt 3/8-24 x 1.25 Gr. 8 patched	105	160793	Latch Assembly
9	10030600	Washer, Lock	106	2029J	Nut, Weld
10	140296	Washer, Hardened	113	17060512	Screw 5/16-18 x 3/4
11	134149	(The following Blades are available) Blade, Mulching 42" Std (for mulching mowers only)	116	184219	Bolt, Shoulder
--	139775	Blade Mulching 42" Premium (For better wear when mulching)	117	133957	Wheel, Gauge
--	138971	Blade Mower 42" Hi-Lift (for bagging and discharging)	118	73930600	Nut Centerlock 3/8-16
13	137645	Shaft Assembly, Mandrel, Vented	119	19121414	Washer 3/8 x 7/8 x 14 Ga.
14	128774	Housing, Mandrel, Vented	129	19131312	Washer 13/32 x 13/16 x 12 Ga.
15	110485X	Bearing, Ball, Mandrel	130	74780616	Bolt Fin HEX 3/8-16 unc x 1 Gr. 5
16	174493	Stripper, Mandrel Deck	131	72140608	Bolt RDHD SQNK 3/8-16 unc x 1
18	72140505	Bolt, Carriage 5/16-18 x 5/8	132	17000612	Screw 3/8-16 x .75
19	132827	Bolt, Shoulder	134	156941	Pin Head Rivet
20	159770	Baffle, Vortex	135	159765X421	Bracket Asm. Whl Ga. R LH
21	73680500	Nut	136	155986	Bar Adjusting Gauge Wheel
23	177563	Bracket, Deflector Mower 42"	138	159763X421	Bracket Asm Whl Ga. R RH
24	105304X	Cap, Sleeve 80 x 112 Blk Mower	139	159767X421	Bracket Asm. Whl Ga. F RH
25	123713X	Spring, Torsion, Deflector 2 52	140	159768X421	Bracket Asm Whl Ga. F LH
26	110452X	Nut, Push Phos & Oil	142	165890	Arm Spring Brake Mower
27	130968X428	Shield, Deflector 42" Blk	143	157109	Bracket Arm Idler 42"
28	19111016	Washer 11/32 x 5/8 x 16 Ga.	144	173441	Keeper Belt 42" Clutch Cable
29	131491	Rod, Hinge 42" 6 75 W/G	145	173437	Pulley Idler Flat
30	173984	Screw Thdrol	146	173443	Bolt Carriage Idler
31	187690	Washer, Spacer Mower Vented	147	131335	Spring Extension
32	173436	Pulley, Mandrel	148	169022	Spring Return Idler
33	178342	Nut, Toplock	149	165898	Retainer Spring Yellow
34	72110612	Bolt Carr SH 3/8-16 x 1-1/2 Gr.5	150	19091210	Washer 9/32 x 3/4 x 10 Ga.
36	173438	Pulley, Idler, Flat	152	169676	Clutch Cable 42"
40	73900600	Nut Lock 3/8-16	158	17720408	Screw Hex Thd Cut 1/4-20 x 1/2
44	140088	Guard, Mandrel, LH	159	72140614	Bolt Rdhd Sqn 3/8-16 unc x 1-3/4
45	4497H	Retainer	182	179126	Rod Roller Nose
46	137729	Screw, Thdrol 1/4-20 x 5/8 T	183	163552	Retainer Spring
48	133944	Washer, Hardened	184	19131410	Washer 13/32 x 7/8 x 10 Ga.
52	139888	Bolt, Shoulder 5/16-18 unc	185	188234	Head Asm Cable Clutch
53	184907	Arm Assembly, Pad, Brake	--	130794	Mandrel Assembly (Includes Housing Shaft and Shaft Hardware Only - Pulley Not Included)
54	178515	Washer, Hardened	--	184563	Replacement Mower, Complete (Std. deck Order separately mulcher cover, nose roller and gauge wheel components Key Nos. 101-106, 91, 94, 95, 132, 182, 183 and 116-119)
55	155046	Arm, Idler			
56	122052X	Spacer, Retainer			
59	173442	Guard TUV Idler			
67	171598	Knob Round			
68	144959	V-Belt, 42" Mower			
91	180532	Bracket Asm Noseroller LH			
92	73800600	Nut Lock Hex w/Ins 3/8-16 unc			

**NOTE:** All component dimensions given in U.S. inches  
1 inch = 25.4 mm

# TRACTOR - - MODEL NUMBER PD22H42STB

## MOWER LIFT



lift-rh.1pc.stlt\_10



# TRACTOR - - MODEL NUMBER PD22H42STB

## MOWER LIFT

KEY NO.	PART NO.	DESCRIPTION
1	159461	Wire Asm Inner/Sprg W/plunger
2	159476	Shaft Asm Lift RH w/Inf
3	178981	Pin Groove 2"
4	12000002	E Ring #5133-62
5	19211621	Washer 21/32 x 1 x 21 Ga.
6	120183X	Bearing Nylon Blk 629 Id
7	125631X	Grip Handle
8	124526X	Button Plunger
11	139865	Link Lift LH Fixed Length
12	139866	Link Lift RH Fixed Length
13	4939M	Retainer Spring
15	173288	Link Front
16	73350800	Nut Jam Hex 1/2-13 unc
17	175689	Trunnion
18	73800800	Nut Lock W/Wsh 1/2-13 unc
19	139868	Arm Suspension Rear
20	163552	Retainer Spring
23	110807X	Nut Special
24	19131016	Washer 13/32 x 5/8 x 16 Ga.
25	2876H	Spring 2-1/8"
26	169484	Retainer Clip
27	126971X	Rod Adj Lift Zinc 7.49 Wrk Lg
28	73350600	Nut Hex Jam 3/8-16 unc
29	138057	Knob Inf 3/8-16 unc Blk W/sym
30	150233	Trunnion Infin Height
31	169865	Bearing Pvt Lift
32	73540600	Nut Crownlock 3/8 - 24
36	155097	Pointer Height Indicator
37	123935X	Plug Hole Blk 1.485/1.515 Dia.
38	17060516	Screw 5/16-18 x 1
40	19112410	Washer 11/32 x 1-1/2 10 Ga.
41	155098	Indicator Height STLT
49	145212	Nut Hex Flange Lock
50	110452X	Nut PUSh Phos & Oi

**NOTE:** All component dimensions given in U.S. inches  
1 inch = 25.4 mm