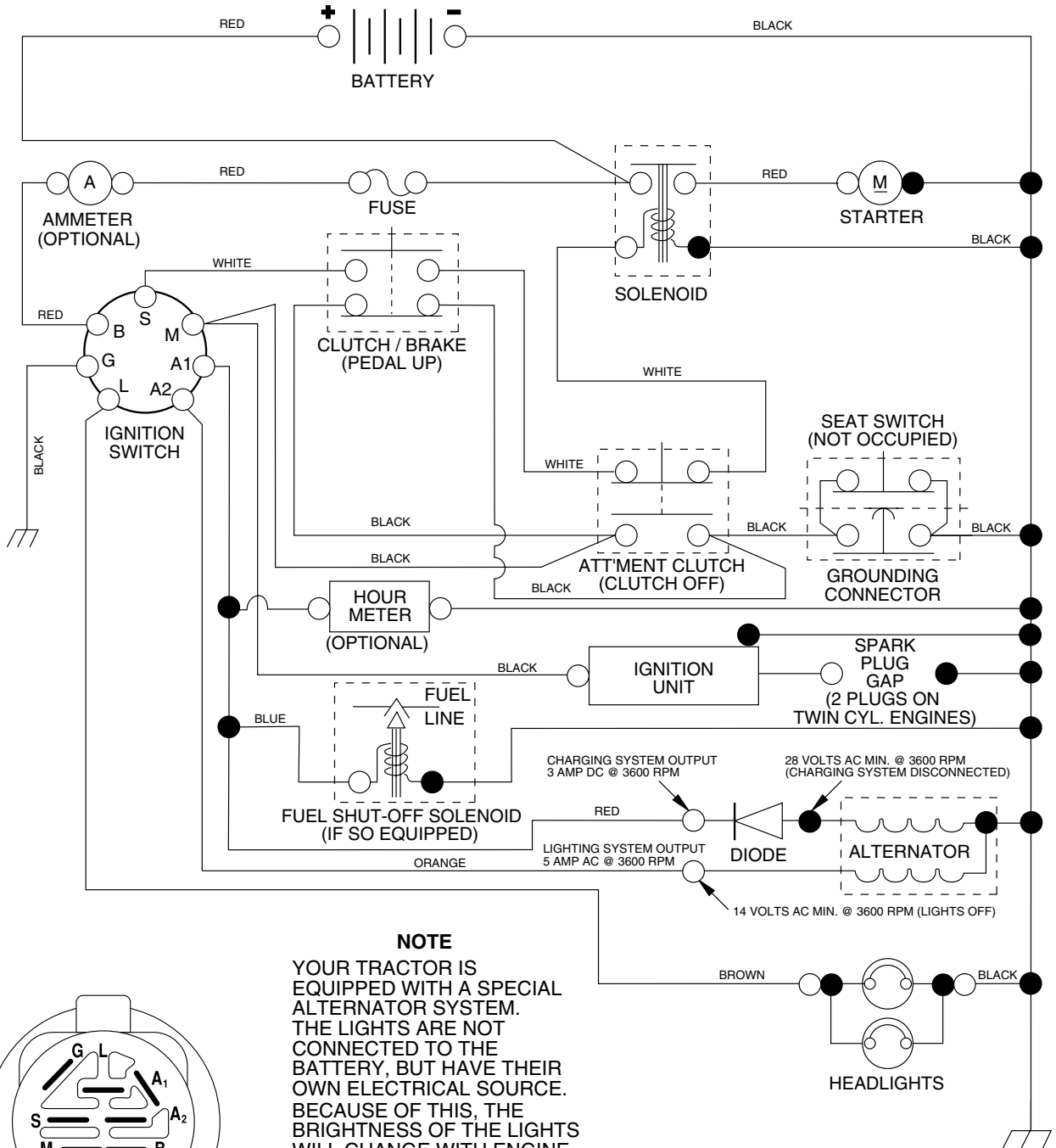


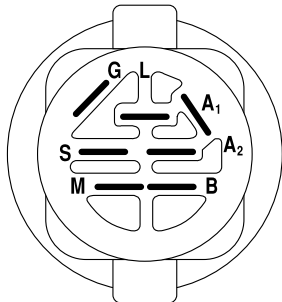
TRACTOR - - MODEL NUMBER PO13T38A

SCHEMATIC



NOTE

YOUR TRACTOR IS EQUIPPED WITH A SPECIAL ALTERNATOR SYSTEM. THE LIGHTS ARE NOT CONNECTED TO THE BATTERY, BUT HAVE THEIR OWN ELECTRICAL SOURCE. BECAUSE OF THIS, THE BRIGHTNESS OF THE LIGHTS WILL CHANGE WITH ENGINE SPEED. AT IDLE THE LIGHTS WILL DIM. AS THE ENGINE IS SPEEDED UP, THE LIGHTS WILL BECOME THEIR BRIGHTEST.



IGNITION SWITCH

POSITION	CIRCUIT	"MAKE"
OFF	M+G+A1	NONE
RUN/LIGHT	B+A1	A2+L
RUN	B+A1	NONE
START	B + S + A1	NONE

NON-REMOVABLE CONNECTIONS

REMOVABLE CONNECTIONS

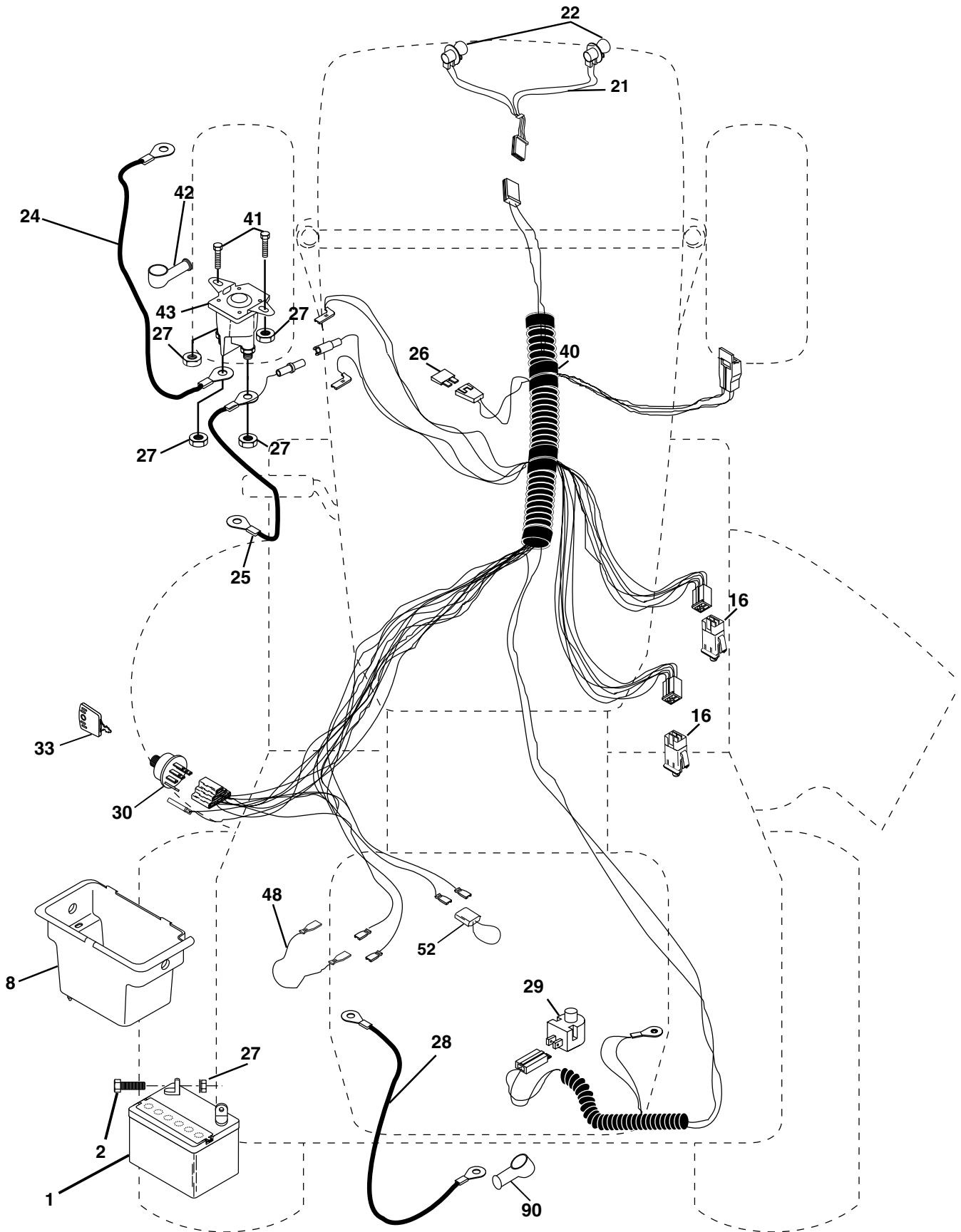
WIRING INSULATED CLIPS

NOTE: IF WIRING INSULATED CLIPS WERE REMOVED FOR SERVICING OF UNIT, THEY SHOULD BE REPLACED TO PROPERLY SECURE YOUR WIRING.

REPAIR PARTS

TRACTOR -- MODEL NUMBER PO13T38A

ELECTRICAL



REPAIR PARTS

TRACTOR - - MODEL NUMBER PO13T38A

ELECTRICAL

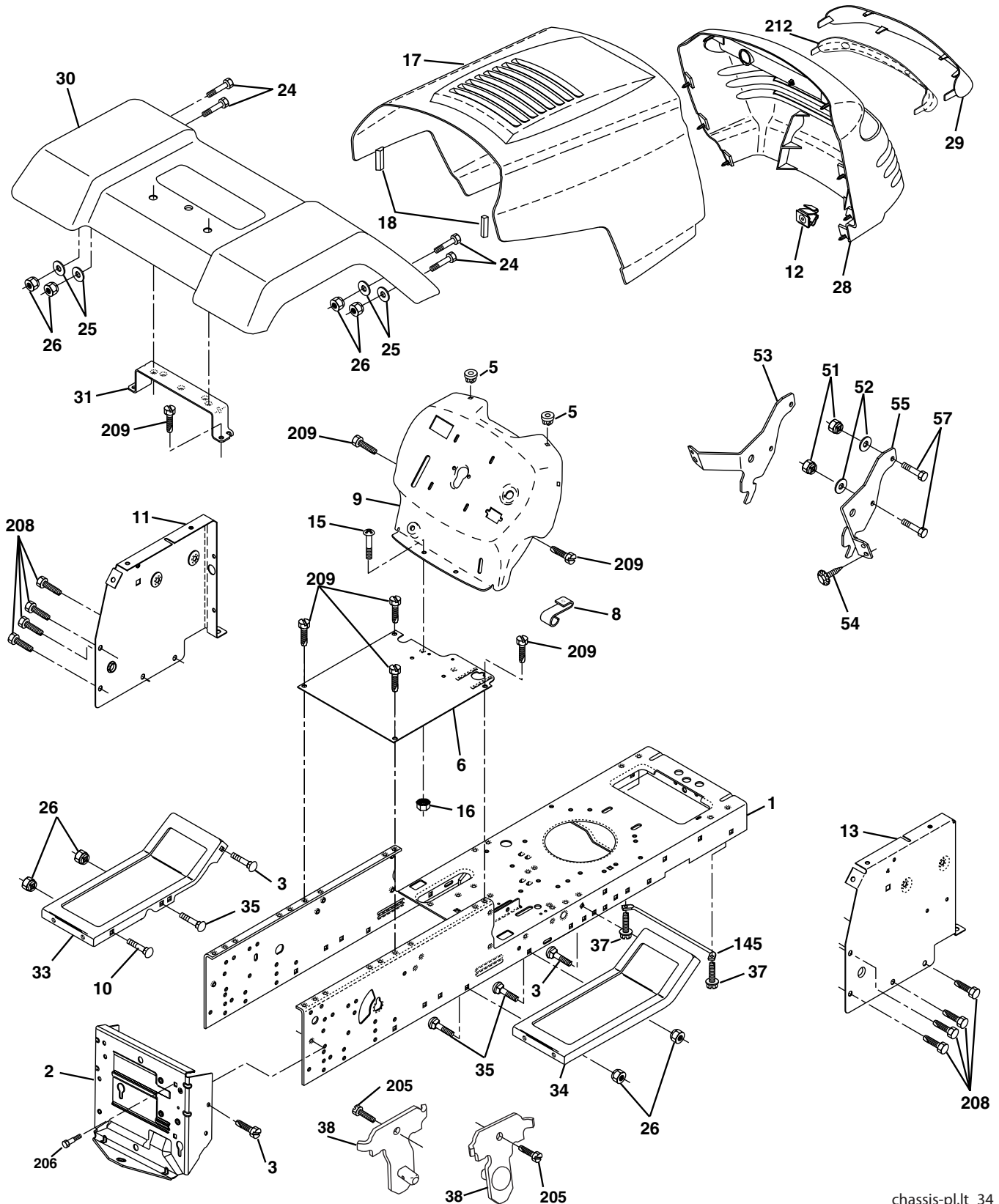
KEY NO.	PART NO.	DESCRIPTION
1	163465	Battery
2	74760412	Bolt Hex Hd 1/4-20 Unc x 3/4
8	176689	Box Battery
16	176138	Switch Interlock
21	175685	Harness Asm Light W/4152j
22	4152J	Bulb Light #1156
24	108423X	Cable Battery 6 Ga 16" red
25	146147	Cable Battery
26	175158	Fuse 20 AMP
27	73510400	Nut Keps Hex 1/4-20 Unc
28	4207J	Cable Ground 6 Ga 12"black
29	121305X	Switch Plunger Nc Gray
30	175566	Switch Ign
33	140401	Key Ign
40	179720	Harness Ign
41	71110408	Bolt Blk Fin Hex 1/4-20
42	131563	Cover Terminal Red
43	178861	Solenoid
48	140844	Adapter Ammeter
52	141940	Protection Wire Loop
90	180449	Cover Terminal Battery

NOTE: All component dimensions given in U. S. inches 1 inch = 25.4 mm.

REPAIR PARTS

TRACTOR - - MODEL NUMBER PO13T38A

CHASSIS



chassis-pl.lt_34

REPAIR PARTS

TRACTOR - - MODEL NUMBER PO13T38A

CHASSIS

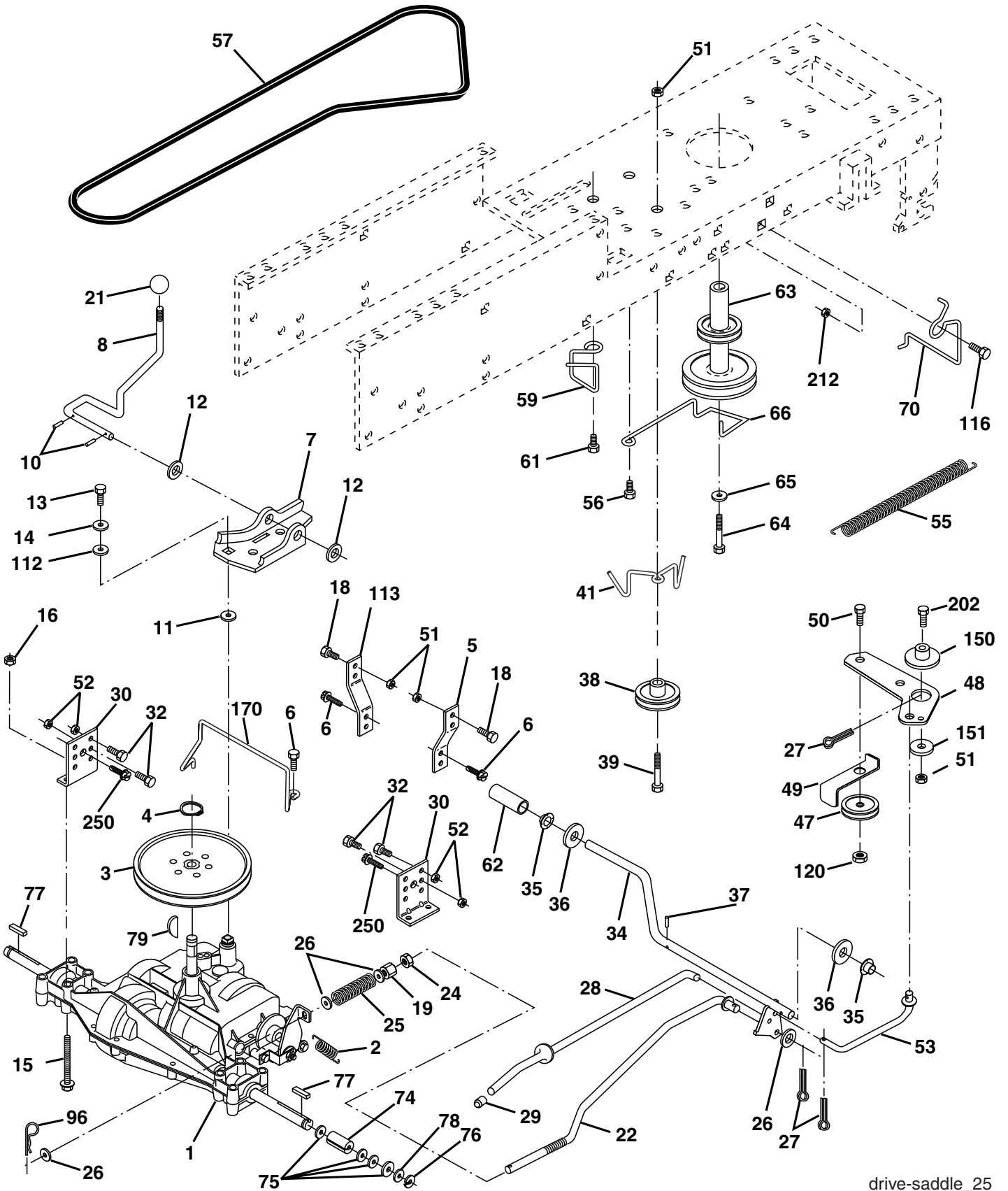
KEY NO.	PART NO.	DESCRIPTION
1	174620	Chassis
2	176554	Drawbar, Stretch
3	17060612	Screw 3/8-16 x 3/4
5	155272	Bumper, Hood/Dash
6	174643X013	Saddle Silkscreen
8	155138	Clip Retainer Slide-On
9	168347X011	Dash
10	72140608	Bolt, Carriage 3/8-16 x 1
11	174996	Panel Dash LH
12	145660	Clip Tinnerman Grille P.L
13	172105X010	Panel Silkscr Dash RH
15	74180512	Screw Mach TRHD 5/16-18 Unc x 3/4
16	73510500	Nut Keps 5/16-18 Unc
17	159639x428	Hood
18	184921	Bumper Hood
24	74780616	Bolt Fin Hex 3/8-16 Unc x 1 Gr. 5
25	19131312	Washer 13/32 x 13/16 x 12 Ga.
26	73800600	Nut Lock Hex w/lns 3/8-16 Unc
28	179101	Grille/Lens Asm.
29	140273X599	Lens Grille Private Label
30	169465X428	Fender
31	136619	Bracket Fender Repl 109873X
33	179716X428	Footrest Pnt LH
34	179717X428	Footrest Pnt RH
35	72110606	Bolt Rdhd Sht Sqnk 3/8-16 x 3/4
37	17490508	Screw Thdrol 5/16-18 x 1/2 TYT
38	175710	Bracket Asm. Pivot Mower
51	73800400	Nut Lock W/Insert 1/4-20unc
52	19091416	Washer 9/32 x 7/8 x 16 Ga.
53	144697	Bracket Grille Lh
54	161464	Screw Hex 8-18 x 7/8
55	144696	Bracket Grille Rh
57	74780412	Bolt Fin Hex 1/4-20 Unc x .75
145	156524	Rod Pivot Chassis/Hood
205	17490608	Screw Thdrol 3/8-16 x 1/2
206	170165	Bolt Shoulder 5/16-18
208	17670608	Screw Thdrol 3/8-16 x 1/2
209	17000612	Screw Hex Wsh Thdrol 3/8-16
212	156229	Insert Lens Reflect
---	5479J	Plug Button Blk 359 Dia Choke

NOTE: All component dimensions given in U.S. inches
1 inch = 25.4 mm.

REPAIR PARTS

TRACTOR -- MODEL NUMBER PO13T38A

DRIVE



drive-saddle_25

REPAIR PARTS

TRACTOR - - MODEL NUMBER PO13T38A

DRIVE

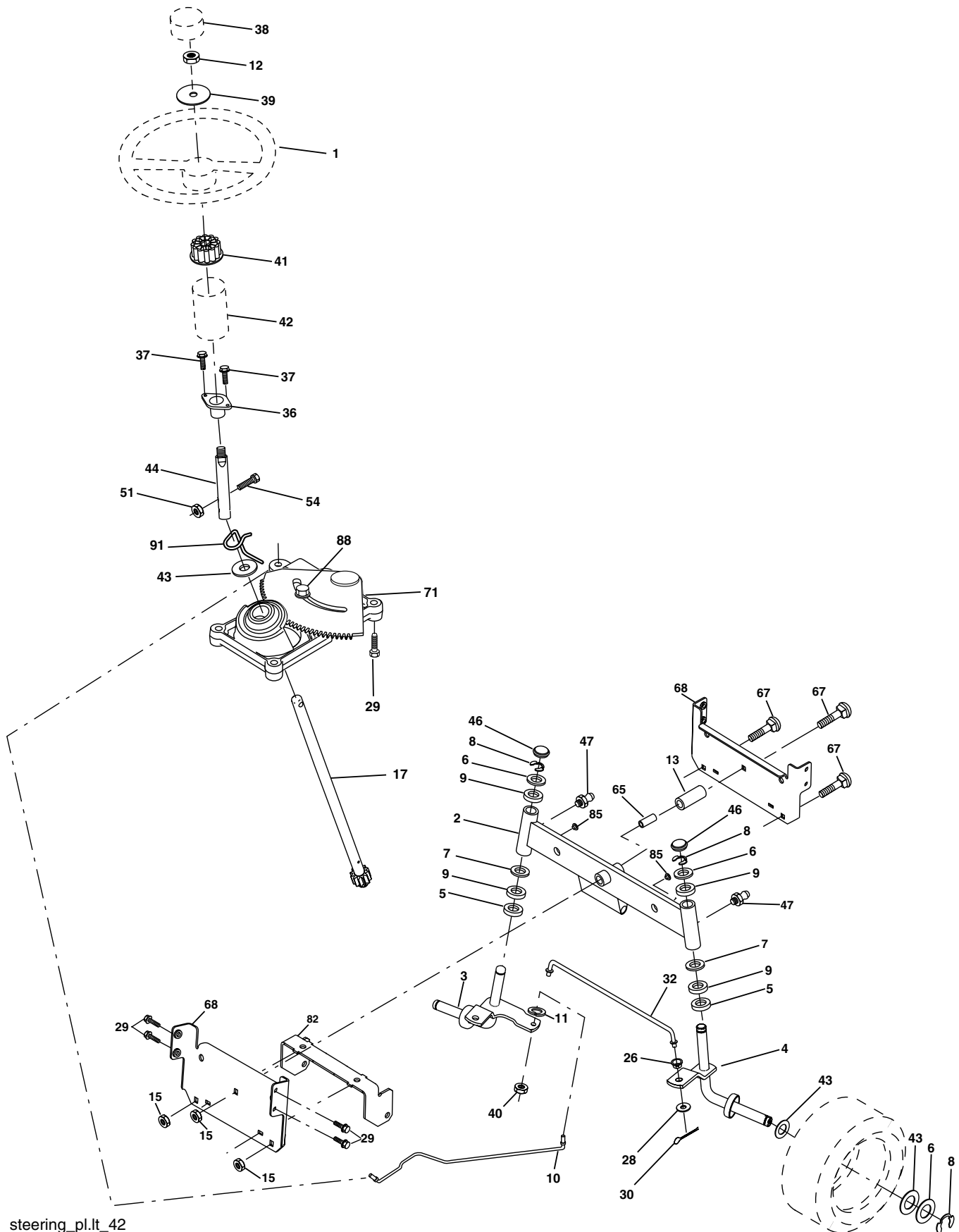
KEY NO.	PART NO.	DESCRIPTION	KEY NO.	PART NO.	DESCRIPTION
1	-----	Transaxle Peerless Model 205-544C (Order parts from transaxle manufacturer)	48	154407	Bellcrank Clutch Grnd Drv STL
2	146682	Spring Return Brake	49	123205X	Retainer Belt Style Spring
3	123666X	Pulley Transaxle 18"tires	50	72110612	Bolt Carr Sh 3/8-16 x 1-1/2 Gr. 5
4	12000028	Ring Retainer # 5100-62	51	73680600	Nut Crownlock 3/8-16 Unc
5	121520X	Strap Torque 30 Degrees RH	52	73680500	Nut Crownlock 5/16-18 Unc
6	17060512	Screw 5/16-18 x 3/4	53	105710X	Link Clutch 7 66
7	162240	Plate Rod Shift T/a	55	105709X	Spring Return Clutch 6 75
8	131679	Rod Shifter Blk	56	17060620	Screw 3/8-16 x 1-1/4
10	76020416	Pin Cotter 1/8 x 1 Cad	57	130801	V-Belt Ground Drive 95
11	105701X	Washer Plate Shf 388 Sq Hole	59	169691	Keeper Belt Chassis Span Ctr
12	19151216	Washer 15/32 x 3/4 x 16 Ga	61	17120614	Screw 3/8-16 x .875
13	74550412	Bolt 1/4-28 unf Gr. 8 w/Patch	62	8883R	Cover Pedal Blk Round
14	10040400	Washer Lock Hvy Helical 1/4	63	175410	Engine Pulley LT/YT
15	74490544	Bolt Hex Flghd 5/16-18 Gr. 5	64	173937	Bolt Hex 7/16-20 x 4 x Gr 5-1.5
16	73800500	Nut Lock Hex w/Ins. 5/16-18 Unc	65	10040700	Washer Lock Hvy Hlcl Spr 7/16
18	74780616	Bolt Fin Hex 3/8-16 Unc x 1 Gr. 5	66	154778	Keeper Belt Engine
19	73800600	Nut lock Hex w/Ins 3/8-16 Unc	70	134683	Guide Belt Mower Drive RH
21	106933X	Knob Rd 1/2-13 Plstc Thds Blk	74	137057	Spacer Axle
22	130804	Rod Brake LT	75	121749X	Washer 25/32 x 1 1/4 x 16 Ga
24	73350600	Nut Hex Jam 3/8-16 Unc	76	12000001	E-ring #5133-75
25	106888X	Spring Rod Brake 2 00 Zinc	77	123583X	Key Square 2 0 x 1845/ 1865
26	19131316	Washer 13/32 x 13/16 x 16 Ga	78	121748X	Washer 25/32 x 1-5/8 x 16 Ga
27	76020412	Pin Cotter 1/8 x 3/4 Cad	79	2228M	Key Woodruff
28	175765	Rod Brake Parking LT/YT	96	4497H	Retainer Spring 1"
29	71673	Cap Brake Parking Black	112	19091210	Washer 9/32 x 3/4 x 10 Ga
30	174973	Bracket Transmission	113	127285X	Strap Torque 90 Degrees LH
32	74760512	Bolt Fin Hex 5/16-18 x 3/4	116	72140608	Bolt Rdhd Sq Neck 3/8-16 x 1
34	175578	Shaft Asm Pedal Foot Nibbed	120	73900600	Nut Lock Flg 3/8-16
35	120183X	Bearing Nylon Blk 629 Id	150	175456	Spacer Retainer Lt
36	19211616	Washer 21/32 x 1 x 16 Ga	151	19133210	Washer 13/32 x 2 x 10 Ga.
37	1572H	Pin Roll 3/16 x 1"	170	178394	Keeper, Belt Transaxle
38	179114	Pulley Composite Flat	202	72110614	Bolt Carr Sh 3/8-16 x 1-3/4 Gr.5
39	74760648	Bolt Fin Hex 3/8-16 x 3	212	145212	Nut Hex Flg Lock
41	175556	Keeper Belt Idler	250	17060612	Screw 3/8-16 x 3/4
47	127783	Pulley Idler V Groove Plastic			

NOTE: All component dimensions given in U.S. inches
1 inch = 25.4 mm

REPAIR PARTS

TRACTOR -- MODEL NUMBER PO13T38A

STEERING



steering_pl.lt_42

REPAIR PARTS

TRACTOR - - MODEL NUMBER PO13T38A

STEERING

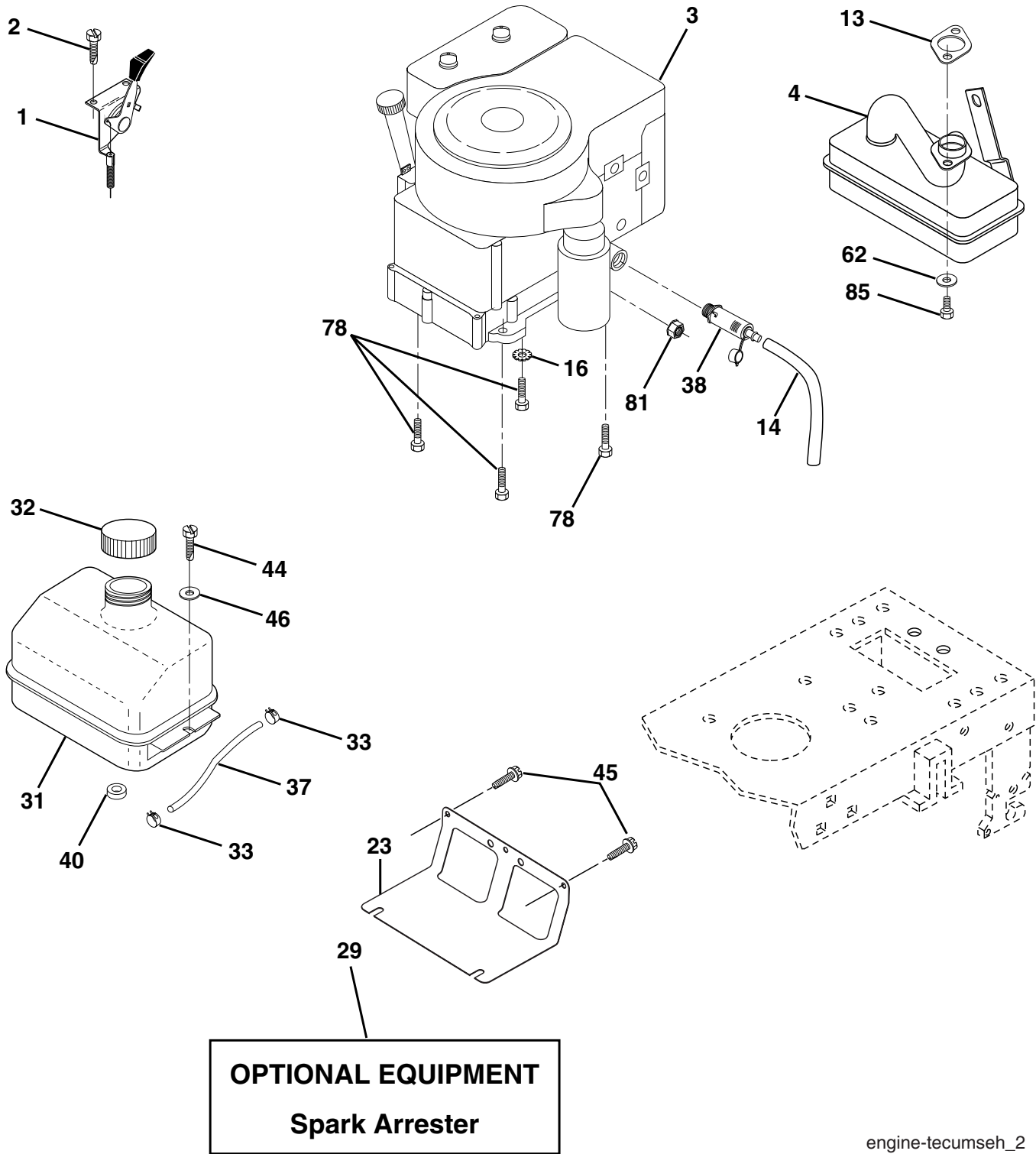
KEY NO.	PART NO.	DESCRIPTION
1	140044X428	Wheel Steering
2	175131	Axle Asm
3	169840	Spindle Asm LH
4	169839	Spindle Asm RH
5	6266H	Bearing Race Thrust Harden
6	121748X	Washer 25/32 x 1-5/8 x 16 Ga
7	19272016	Washer 27/32 x 1-1/4 x 16 Ga
8	12000029	Ring Klip #5304-75
9	3366R	Bearing Col Strg Blk
10	175121	Link Drag
11	10040600	Washer Lock Hvy Hlcl Spr 3/8
12	73940800	Nut Hex Jam Toplock 1/2-20
13	136518	Spacer earing Axle Front
15	145212	Hexflange Lock
17	180641	Shaft Asm Strg
26	126847X	Bushing Link Drag Blk LR
28	19131416	Washer 13/32 x 7/8 x 16 Ga
29	17060612	Screw 3/8-16 x 3/4
30	76020412	Pin Cotter 1/8 x 3/4 Cad
32	130465	Rod Tie Wire Form 19 75 Mech
36	155099	Bushing Strg 5/8 Id Dash
37	152927	Screw
38	140045X428	Cap Wheel Steer Ayp
39	19183812	Washer 9/16 x 2-3/8
40	7810H	Nut Lock Center 3/8-24un
41	100711L	Adaptor Wheel Strg
42	145054X428	Boot Dash Mtl Steering Blk
43	121749X	Washer 25/32 x 1 1/4 x 16 Ga
44	180640	Extension Steering
46	121232X	Cap Spindle Fr Top Blk
47	183226	Fitting Grease
51	73540400	Nut 1/4-28
54	71130420	Bolt Hex 1/4-28 x 1-1/4
65	160367	Spacer Brace Axle
67	72110618	Bolt RDHD SQNK 3/8-16 x 2-1/4
68	169827	Brace Axle
71	175146	Steering Asm.
82	169835	Bracket Susp Chassis Front
85	133835	Fastener Christmas Tree
88	175118	Bolt Shoulder 7/16-20
91	175553	Clip Steering

NOTE: All component dimensions given in U.S. inches
1 inch = 25.4 mm.

REPAIR PARTS

TRACTOR -- MODEL NUMBER PO13T38A

ENGINE



engine-tecumseh_2

REPAIR PARTS

TRACTOR - - MODEL NUMBER PO13T38A

ENGINE

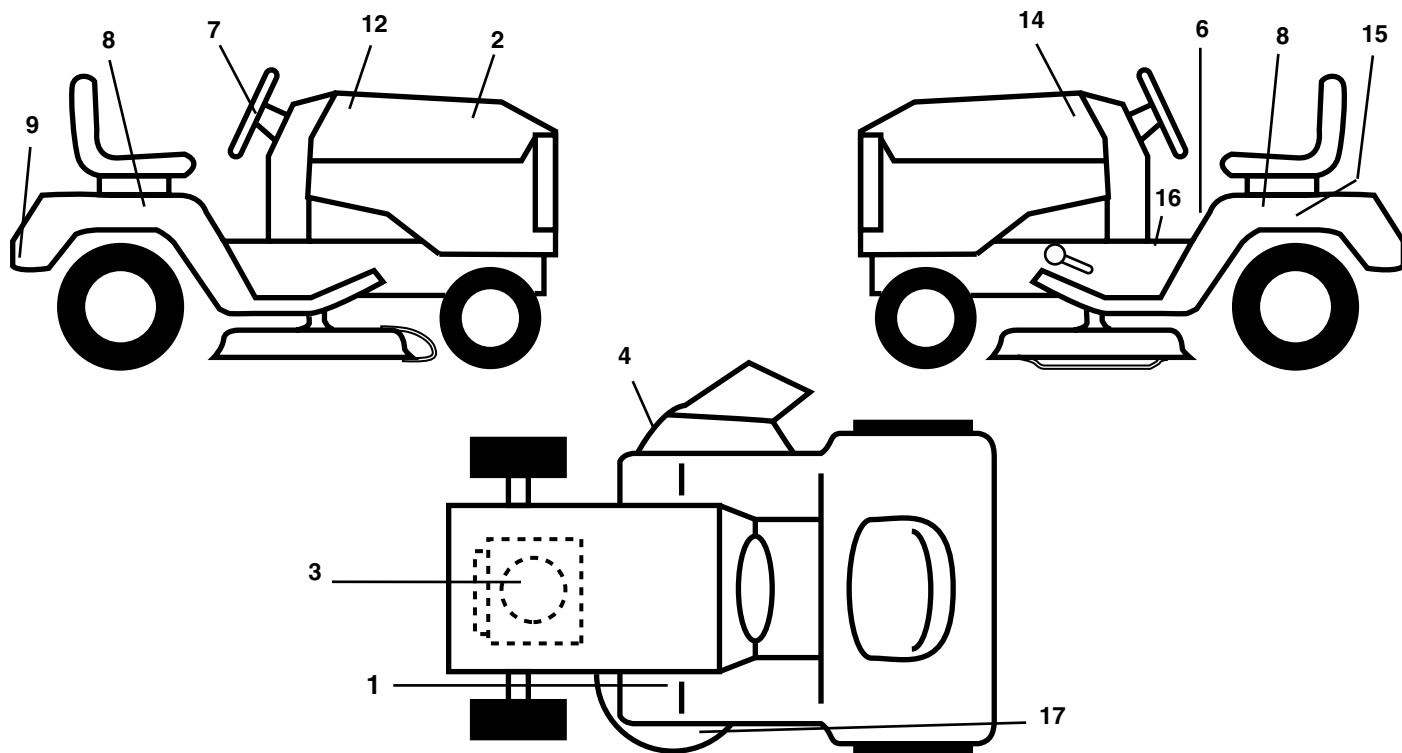
KEY NO.	PART NO.	DESCRIPTION
1	170864	Control Th/ch Flag
2	17720408	Screw Hex Thd Cut 1/4-20 x 1/2
3	-----	Engine, Tec OHV135 (Order parts from engine manufacturer)
4	156700	Muffler Exhaust Tec
13	35-414	Gasket Eng
14	148456	Tube Drain Oil Easy
16	11050600	Washer Lock Ext Tooth 3/8
23	169837	Shield BRN/DBR Guard
29	137180	Kit Spark Arrestor (Flat Scrn)
31	184900	Tank Fuel Front
32	140527	Cap Asm Fuel
33	123487X	Clamp Hose
37	137040	Line Fuel 20"
38	181654	Plug Drain Oil
40	124028X	Bushing Snap Nyl Blk Fuel Line
44	17670412	Screw Thdrol 1/4-20 x 3/4
45	17000612	Screw Hex Wsh Thdrol 3/8-16
46	19091416	Washer 9/32 x 7/8 x 16 Ga.
62	10040500	Washer Lock 5/16
78	17060620	Screw 3/8-16 x 1-1/4
81	73510400	Nut Keps Hex 1/4-20 Unc
85	71070512	Screw Hex 5/16-18 x 3/4

NOTE: All component dimensions given in U.S. inches
1 inch = 25.4 mm

REPAIR PARTS

TRACTOR - - MODEL NUMBER PO13T38A

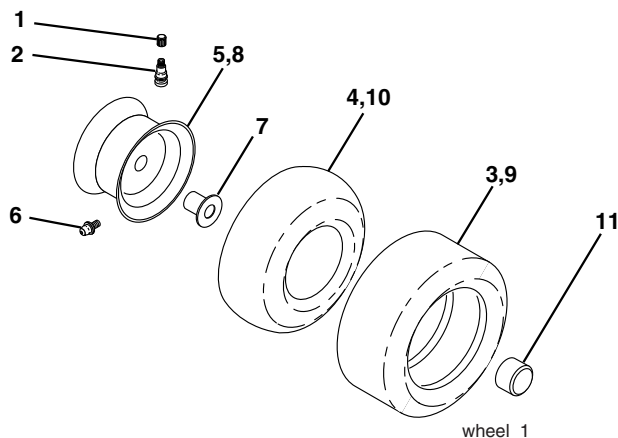
DECALS



KEY NO.	PART NO.	DESCRIPTION
1	181251	Decal, Clutch/Brake Eng/Fr
2	187155	Decal, Replacement
3	64-1726-29	Decal, Engine HP
4	170563	Decal, Warning
6	157140	Decal, Fender Danger English
7	158168	Decal, Ins Str Wh
8	172200	Decal, Fender 5 Sp.
9	158166	Decal, Fender
12	168585	Decal, Hood RH
14	168586	Decal, Hood LH

KEY NO.	PART NO.	DESCRIPTION
15	145005	Decal, Caution, Battery
16	157163	Decal, Oper Sdl P/L Gear Dr Eng
17	136832	Decal, V-Belt Sch.
--	138311	Decal, Handle Lft Height Adj.
--	186906	Decal, Tec 3 yr Warranty
--	187007	Manual, Owner's English
--	187008	Manual, Owner's French

WHEELS & TIRES



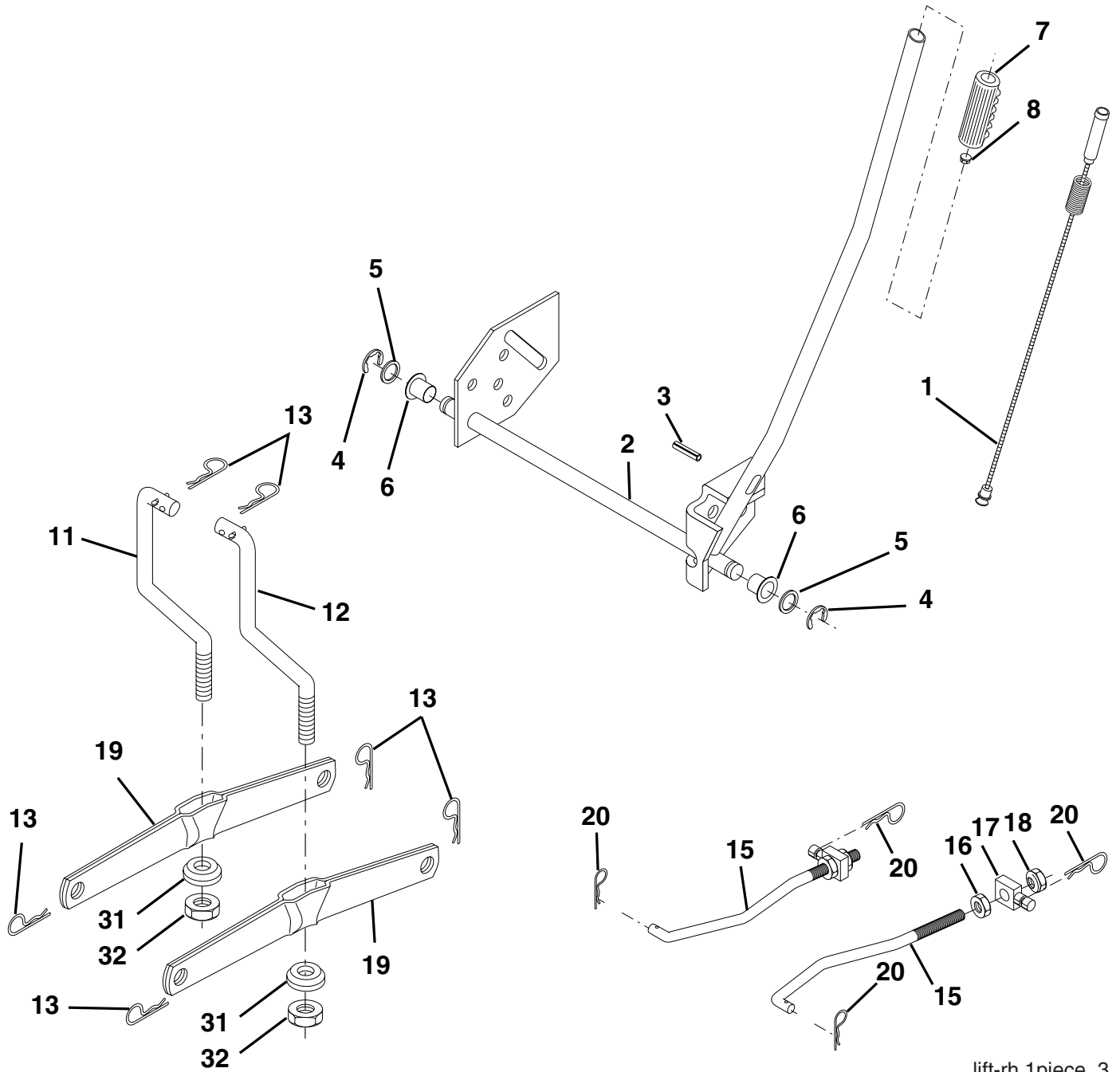
KEY NO.	PART NO.	DESCRIPTION
1	59192	Cap, Tire valve
2	65139	Stem, Valve
3	106222X	Tire, Front
4	59904	Tube, Front (Service item only)
5	106732X624	Rim assembly, 6" front
6	278H	Fitting, Grease (Front wheel only)
7	9040H	Bearing, Flange (Front wheel only)
8	106108X624	Rim assembly, 8" rear
9	124635X	Tire, Rear
10	7152J	Tube, Rear (Service item only)
11	104757X428	Cap, Hub Axle
--	144334	Sealant, Tire (10 oz. Tube)

NOTE: All component dimensions given in U.S. inches
1 inch = 25.4 mm

REPAIR PARTS

TRACTOR -- MODEL NUMBER PO13T38A

MOWER LIFT



lift-rh.1piece_3

REPAIR PARTS

TRACTOR - - MODEL NUMBER PO13T38A

MOWER LIFT

KEY NO.	PART NO.	DESCRIPTION
1	159460	Wire Asm Inner/Sprg w/plunger
2	159471	Shaft Asm Lift RH
3	105767X	Pin Groove 1 500 Zinc
4	12000002	E Ring #5133-62
5	19211621	Washer 21/32 x 1 x 21 Ga
6	120183X	Bearing Nylon Blk 629 Id
7	109413X	Grip Handle Bicycle Matte Blk
8	124526X	Button Plunger Black
11	139865	Link Lift LH Fixed Length
12	139866	Link Lift RH Fixed Length
13	4939M	Retainer Spring
15	173288	Link Front
16	73350800	Nut Jam Hex 1/2-13 Unc
17	175689	Trunnion
18	73800800	Nut Lockw/Wsh 1/2-13 Unc
19	139868	Arm Suspension Rear
20	163552	Retainer, Spring
31	169865	Bearing Pvt Lift
32	73540600	Nut Crownlock 3/8-24

NOTE: All component dimensions given in U.S. inches
1 inch = 25.4 mm.

REPAIR PARTS

TRACTOR - - MODEL NUMBER PO13T38A

MOWER DECK

KEY NO.	PART NO.	DESCRIPTION	KEY NO.	PART NO.	DESCRIPTION
1	170280	Mower Housing Assembly	54	178515	Washer, Hardened
2	72140506	Bolt Carriage 5/16-18 x 3/4	55	133840	Idler Arm Assembly
3	138017	Bracket Asm Fr. Sway Bar	56	165723	Spacer, Retainer
4	169970	Bracket Deck Sway Bar 38"/42"	67	106932X	Knob
5	4939M	Retainer Spring	68	144200	V-Belt, 42" Mower
6	178024	Bar Sway Deck	69	76020312	Pin, Cotter 3/32 x 3/4
8	850857	Bolt 3/8-24 x 1.25 Grade 8	86	7631J	Runner, LH
9	10030600	Washer, Lock 3/8	87	128772	Runner, RH
10	140296	Washer, Hardened (The following blades are available)	88	19111216	Washer 11/32 x 3/4 x 16 Ga
11	134148	Blade, 38" Mulching Std (For mulching mowers only)	89	19131612	Washer 13/32 x 1 x 12 Ga.
--	139774	Blade, 38" Mulching Premium (For better wear when mulching)	96	74930620	Bolt 3/8-16 x 1-1/4 Mulcher
--	138497	Blade, 38" Hi-Lift (For bagging and discharging)	97	73930600	Nut Centerlock 3/8-16 Unc
13	137645	Shaft Assembly, Mandrel, Vented (Includes Key Number 6)	107	133502	Spacer Retainer
14	128774	Housing, Mandrel, Vented	108	133503	Stiffener, Idler Arm
15	110485X	Bearing, Ball, Mandrel	109	74760640	Bolt, Hex Hd 3/8-16 x 2-1/2
16	174493	Stripper, Vented Mower Deck	110	142587	Upstop Deck Front 38"
19	132827	Bolt, Shoulder	113	17060512	Screw 5/16-1/ x 3/4
21	73680500	Nut	122	131289	Rod, Brake LH
23	137607	Bracket, Mower Deflector	123	169971	Rod, Brake RH
24	105304X	Cap, Sleeve	146	165891	Bolt Carriage Idler
25	123713X	Spring, Torsion, Deflector	148	169022	Spring Return Idler
26	110452X	Nut, Push	149	165898	Retainer Spring Yellow
27	106736X428	Shield, Deflector	150	19091216	Washer 9/32 x 3/4 x 16 Ga.
28	19111016	Washer 11/32 x 5/8 x 16 Gauge	151	169670	Bracket Clutch Cable
29	106735X	Rod, Hinge	152	172758	Clutch Cable 38"/46"
30	173984	Screw Thdrol.	153	169674	Washer Flat 3/8" Type B
31	129963	Washer, Spacer	154	169675	Spring Retainer
32	153532	Pulley, Mandrel	155	169671	Spring Retention LVR CLTCH CAB
33	178342	Nut, Toplock	156	169672	Spacer Clutch Cable
36	131494	Pulley, Idler, Flat	157	169669	Rod Clutch Cable 3/8"
40	73680600	Nut, Crownlock 3/8-16 Unc	158	17720408	Screw Hex Thd Cut 1/4-20 x 1/2
45	4497H	Retainer	--	130794	Mandrel Assembly (Includes Housing, Shaft and Shaft Hardware Only - Pulley Not Included)
53	130840	Brake Assembly	--	170317	Replacement Mower, Complete

NOTE: All component dimensions given in U.S. inches
1 inch = 25.4 mm