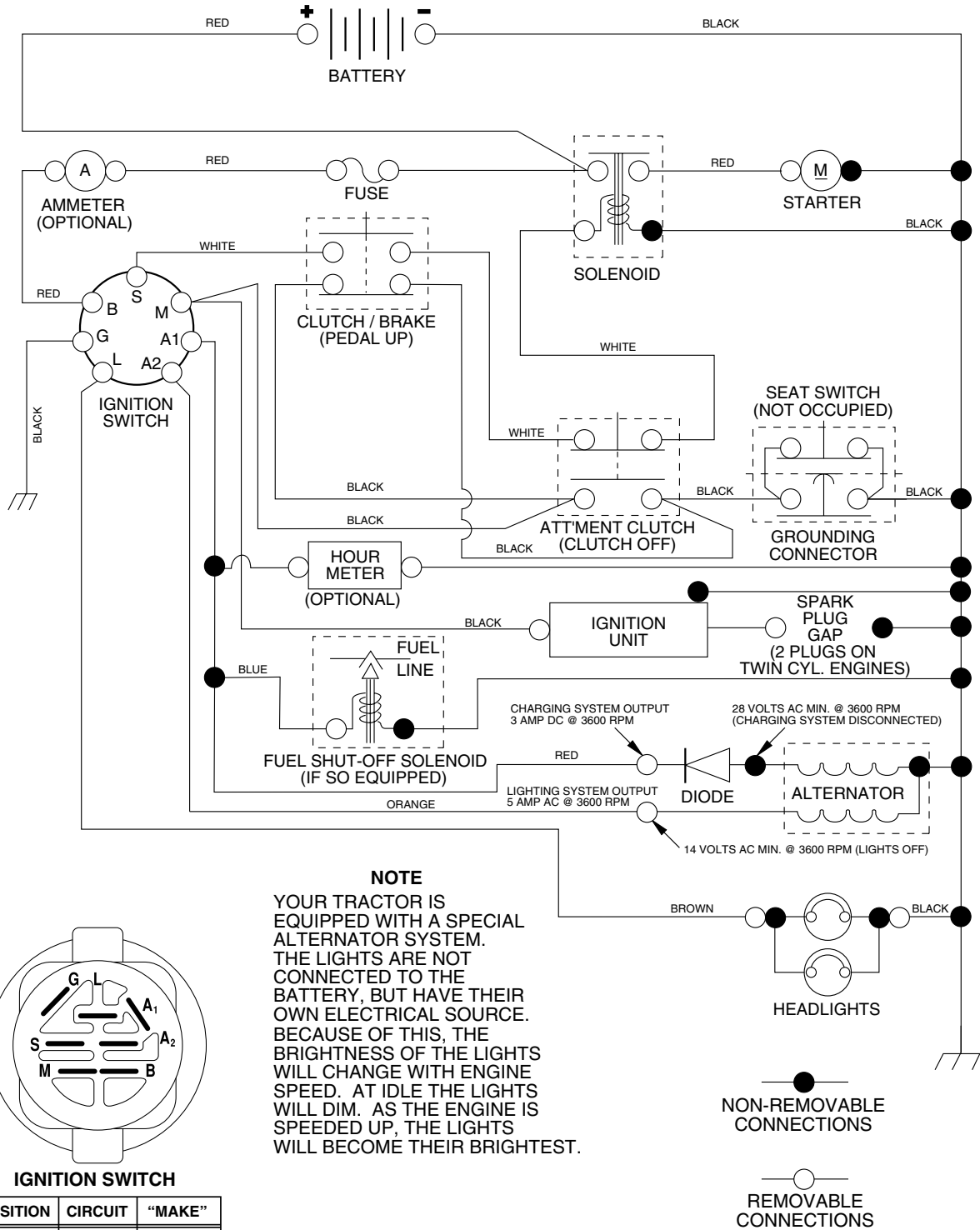


REPAIR PARTS

TRACTOR - - MODEL NUMBER PO17542ST (PO17542STB)

SCHEMATIC



REPAIR PARTS

TRACTOR - - MODEL NUMBER PO17542ST (PO17542STB)

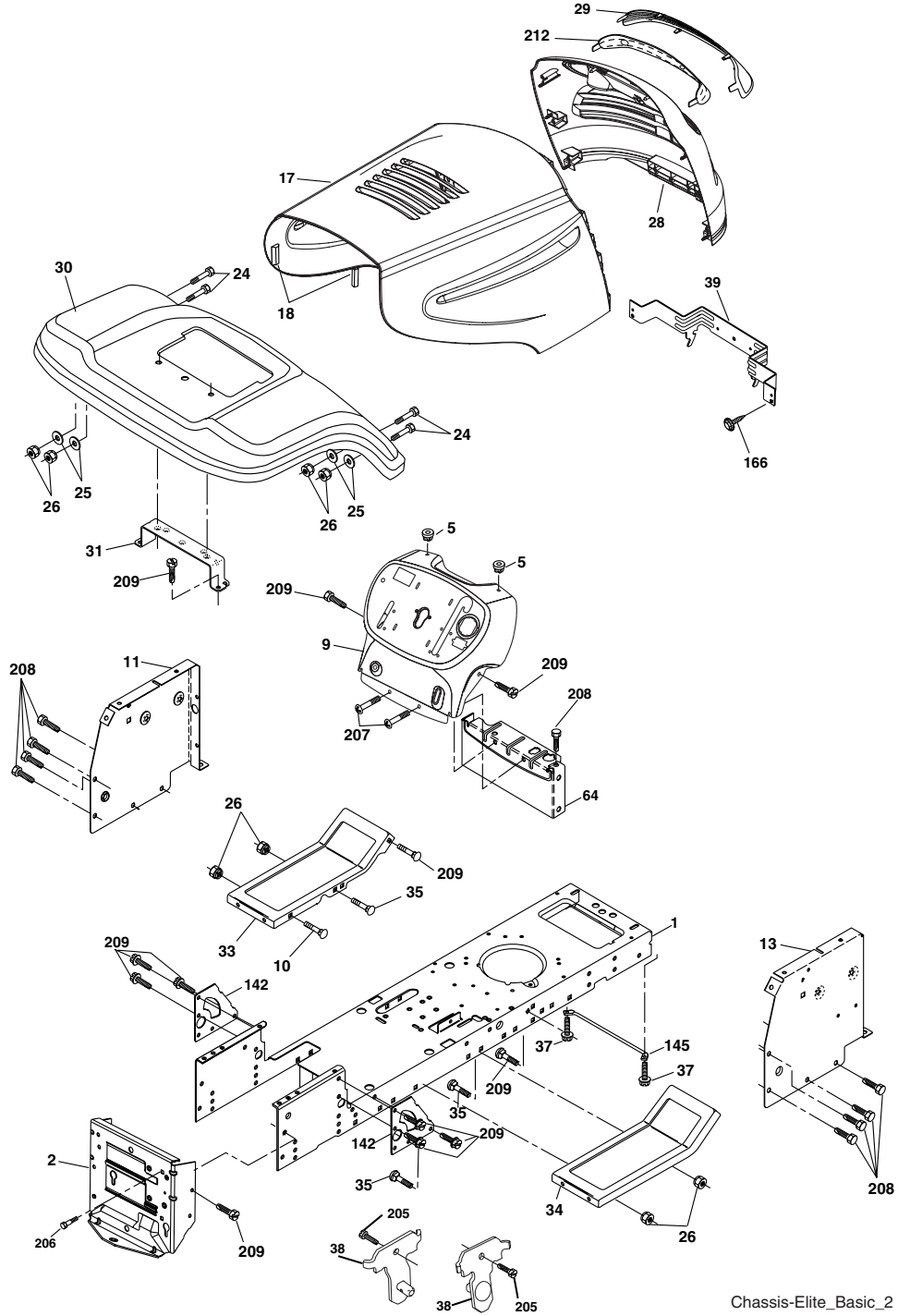
ELECTRICAL

KEY NO.	PART NO.	DESCRIPTION
1	163465	Battery 12 Volt 25 Amp
2	74760412	Bolt Hex Hd 1/4-20 unc x 3/4
8	176689	Box Battery
16	176138	Switch Interlock Push -In
21	183759	Harness Asm Light W/4152J
22	4152J	Bulb Light #1156
24	4799J	Cable Battery 6 Ga. 11"red
25	146147	Cable Battery 6 Ga. w/16 wire,red
26	175158	Fuse 20 AMP
27	73510400	Nut Keps Hex 1/4-20 unc
28	4207J	Cable Ground 6 Ga. 12" black
29	121305X	Switch Plunger Nc Gray
30	175566	Switch Ign
33	140401	Key Ign
40	179720	Harness Ign
41	71110408	Bolt Blk Fin Hex 1/4-20 x 1/2
42	131563	Cover Terminal Red
43	178861	Solenoid
45	121433X	Ammeter
52	141940	Protection Wire Loop
90	180449	Cover Terminal

NOTE: All component dimensions give in U.S. inches
1 inch = 25.4 mm.

REPAIR PARTS

TRACTOR - - MODEL NUMBER PO17542ST (PO17542STB) CHASSIS AND ENCLOSURES



Chassis-Elite_Basic_2

REPAIR PARTS

TRACTOR - - MODEL NUMBER PO17542ST (PO17542STB) CHASSIS AND ENCLOSURES

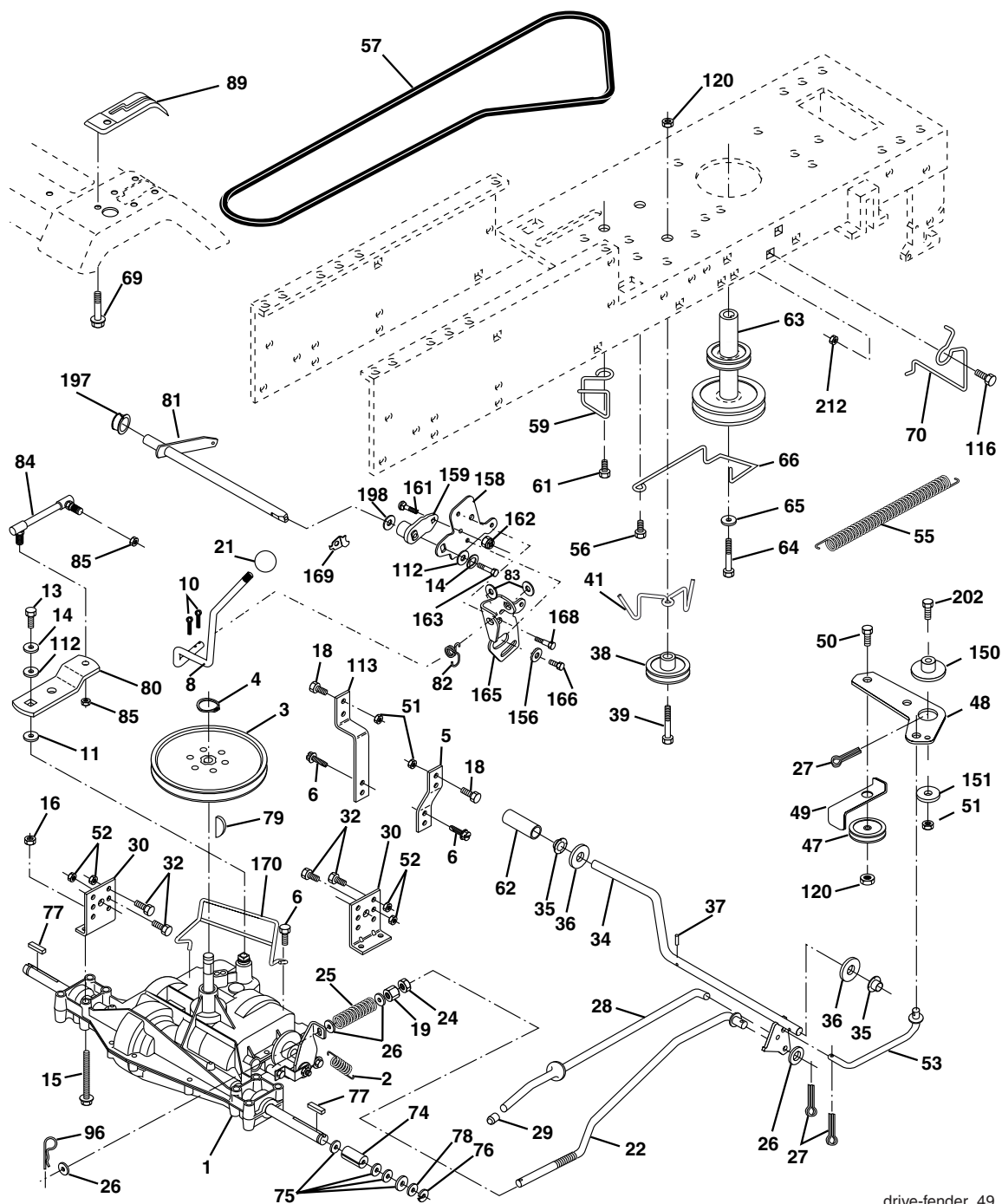
KEY NO.	PART NO.	DESCRIPTION
1	174619	Chassis
2	176554	Drawbar
5	155272	Bumper Hood/Dash
9	168337X012	Dash
10	72140608	Bolt Carriage 3/8-16 x 1
11	174996	Panel Dash Lh
13	179174X010	Panel Dash Rh
17	183394X428	Hood
18	126938X	Bumper Hood
24	74780616	Bolt Fin Hex 3/8-16 x 1 Gr. 5
25	19131312	Washer 13/32 x 13/16 x 12 Ga.
26	73800600	Nut Lock Hex W/Ins 3/8-16 unc
28	183826	Grille
29	183824X599	Lens
30	169468X428	Fender Footrest STLT Pnt
31	136619	Bracket Support Fender
33	179716X428	Footrest Pnt Lh
34	179717X428	Footrest Pnt Rh
35	72110606	Bolt Rdhd Sht Sqnk 3/8-16 x 3/4
37	17490508	Screw Thdrol 6/16-18 x 1/2 TYT
38	175710	Bracket Asm. Pivot Mower Rear
39	174714	Bracket Pivot
64	154798	Dash Lower STLT
142	175702	Plate Reinforcement STLT
145	156524	Rod Pivot Chassis/Hood
166	171875	Screw HWHD Hi-Lo #13-16 x 5/8
205	17490608	Screw Thdrol 3/8-16 x 1-1/4
206	170165	Bolt Shoulder 5/16-18
207	17670508	Screw Thdrol 5/16-18 x 1/2
208	17670608	Screw Thdrol 3/8-16 x 1/2
209	17000612	Screw Hex Wsh Thdr. 3/8-16 x 3/4
212	183823	Insert Lens Reflect
- -	5479J	Plug Btn Blk .359

NOTE: All component dimensions given in U.S. inches
1 inch = 25.4 mm

REPAIR PARTS

TRACTOR - - MODEL NUMBER PO17542ST (PO17542STB)

DRIVE



drive-fender_49

REPAIR PARTS

TRACTOR - - MODEL NUMBER PO17542ST (PO17542STB)

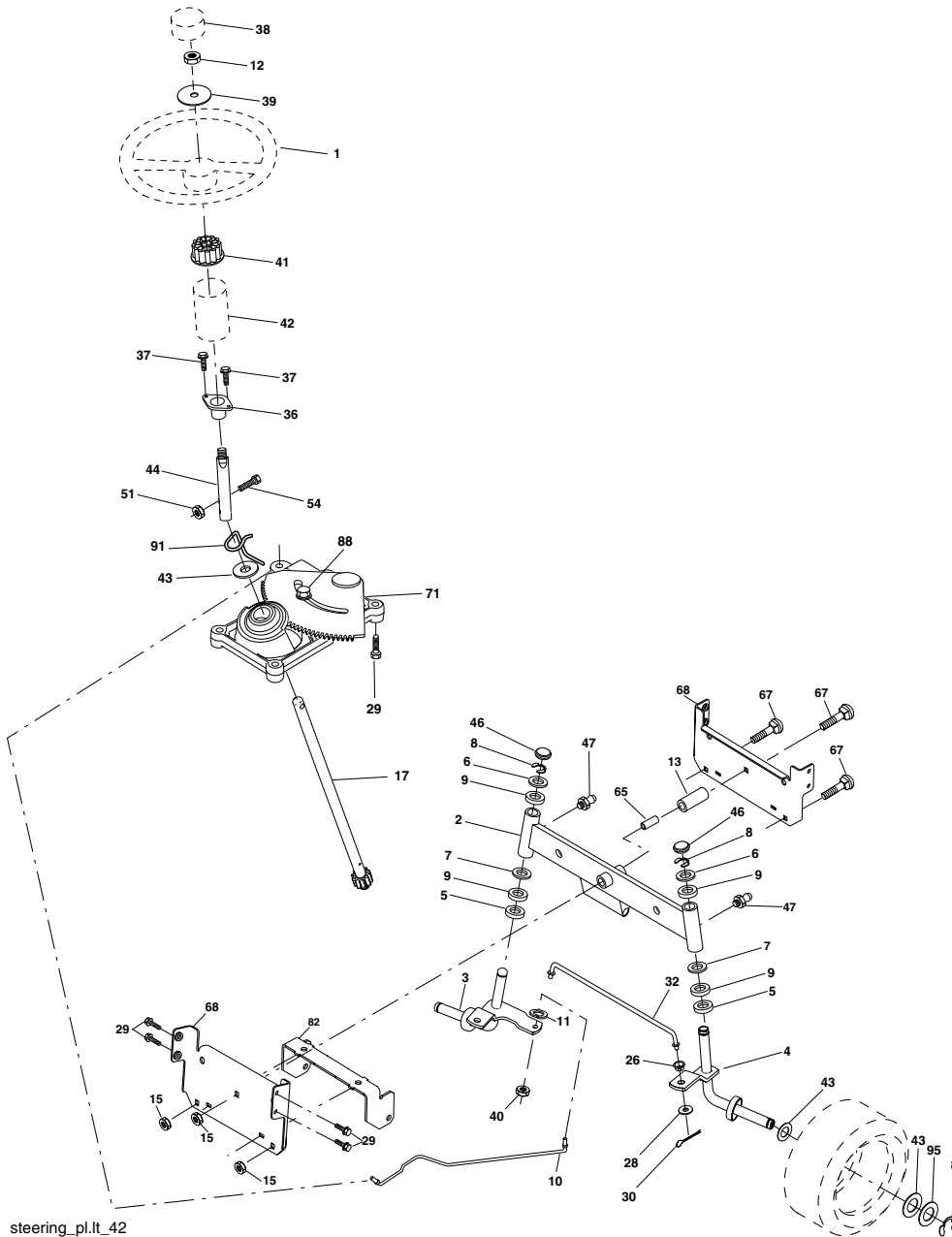
DRIVE

KEY NO.	PART NO.	DESCRIPTION	KEY NO.	PART NO.	DESCRIPTION
1	-----	Transaxle Dana (D4360-140) (Order parts from transaxle manufacturer)	62	8883R	Cover Pedal Blk Round
2	146682	Spring Return Brake T/a Zinc	63	175410	Engine Pulley
3	123666X	Pulley Transaxle 18" tires	64	173937	Bolt Hex
4	12000028	Ring Retainer # 5100-62	65	10040700	Washer Lock Hvy Hlcl Spr 7/16
5	121520X	Strap Torque 30 Degrees	66	154778	Keeper Belt Engine Foolproof
6	17000512	Screw 5/16-18 X 3/4	69	142432	Screw Hex wsh HiLo 1/4 x 1/2 unc
8	165619	Rod Shift Fender Adjust Lt	70	134683	Guide Belt Mower Drive RH
10	76020416	Pin Cotter 1/8 X 1 Cad	74	109502X	Spacer Axle
11	105701X	Washer Plate Shf 388 Sq Hole	75	121749X	Washer 25/32 x 1 1/4 x 16 Ga.
13	74550412	Bolt 1/4-28 Unf Gr. 8 W/Patch	76	12000001	E-ring #5133-75
14	10040400	Washer Lock Hvy Helical	77	123583X	Key Square 2 0 x 1845/ 1865
15	74490544	Bolt Hex FLGHD 5/16-18 Gr. 5	78	121748X	Washer 25/32 x 1-5/8 x 16 Ga.
16	73800500	Nut Lock Hex w/ins 5/16-18	79	2228M	Key Woodruff #9 3/16 x 3/4
18	74780616	Bolt, Fin Hex 3/8-16 unc x 1 Gr. 5	80	131488	Arm Shift
19	73800600	Nut Lock 3/8-16 Unc	81	165594	Shaft Asm Cross Tapered PMST/20
21	106933X	Knob	82	123782X	Spring Torsion T/a
22	130804	Rod Brake Blk Zinc 26 840	83	19171216	Washer 17/32 x 3/4 x 16 Ga.
24	73350600	Nut Hex Jam 3/8-16 unc	84	166229	Link Transaxle Dana /18" Zinc
25	106888X	Spring Rod Brake 2 00 Zinc	85	150360	Nut Lock Center 1/4 - 28 FNTHD
26	19131316	Washer 13/32 x 13/16 x 16 Ga.	89	169372X428	Console Shift STLT
27	76020412	Pin Cotter 1/8 x 3/4 Cad	96	4497H	Retainer Spring 1"
28	175765	Rod Brake Parking LT/YT	112	19091210	Washer 9/32 x 3/4 x 10 Ga.
29	71673	Cap Brake Parking	113	127285X	Strap Torque LT
30	174973	Bracket Mtg Transaxle	116	72140608	Bolt Rdhd Sq Neck 3/8-16 x 1
32	74760512	Bolt Hex Hd 5/16-18 unc x 3/4	120	73900600	Nut Lock Fig. 3/8-16 unc
34	175578	Shaft Asm Pedal Foot	150	175456	Spacer Retainer
35	120183X	Bearing Nylon Blk 629 Id	151	19133210	Washer 13/32 x 2 x 10
36	19211616	Washer 21/32 x 1 x 16 Ga.	156	166002	Washer Srrted 5/16ID x 1.125
37	1572H	Pin Roll 3/16 X 1"	158	165589	Bracket Shift Mount
38	179114	Pulley Composite Flat	159	183900	Hub Tapered Flange Shift Lt
39	72110622	Bolt RDHD 3/8-16 unc x 2-3/4 Gr. 5	161	72140406	Bolt Rdhd Sqnk 1/4-20 x 3/4
41	175556	Keeper Belt Flat Idler	162	73680400	Nut Crownlock 1/4-20 unc
47	127783	Pulley Idler V Groove Plastic	163	74780416	Bolt Hex Fin 1/4-20 unc x 1 Gr. 5
48	154407	Bellcrank Asm	165	165623	Bracket Pivot Lever
49	123205X	Retainer Belt Style Spring	166	17490510	Screw 5/16-18 x 5/8
50	72110612	Bolt Carr. Sh. 3/8-16 x 1-1/2 Gr. 5	168	165492	Bolt Shoulder 5/16-18 x .561
51	73680600	Nut Crownlock 3/8-16 unc	169	165580	Plate Fastening
52	73680500	Nut Crownlock 5/16-18 unc	170	187414	Keeper Belt Transaxle Gear
53	105710X	Link Clutch	197	169613	Nyliner Snap-In
55	105709X	Spring Return Clutch 6 75	198	169593	Washer Nyliner
56	17060620	Screw 3/8-16 x 1-1/4	202	72110614	Bolt RdHd 3/8-16 unc x 1-3/4 Gr. 5
57	160855	V-Belt Ground Drive 95 30	212	145212	Nut Hexflange Lock
59	169691	Keeper Belt Span Ctr			
61	17120614	Screw 3/8-16 x .875			

NOTE: All component dimensions given in U.S. inches
1 inch = 25.4 mm

REPAIR PARTS

TRACTOR - - MODEL NUMBER PO17542ST (PO17542STB) STEERING ASSEMBLY



REPAIR PARTS

TRACTOR - - MODEL NUMBER PO17542ST (PO17542STB)

STEERING ASSEMBLY

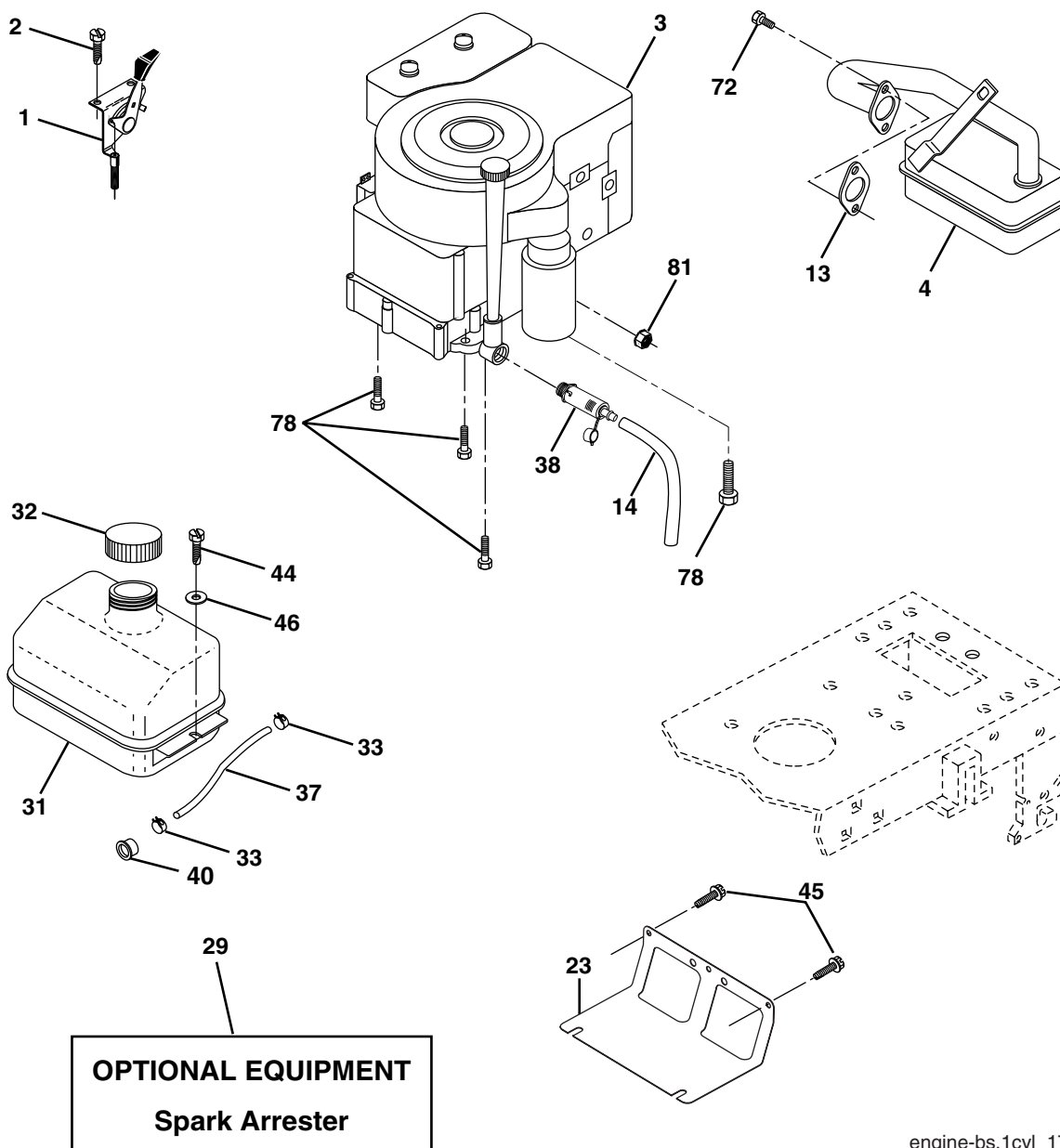
KEY NO.	PART NO.	DESCRIPTION
1	140044X428	Wheel Steering Auto Black
2	175131	Axle Asm Front
3	169840	Spindle Asm Lh
4	169839	Spindle Asm Rh
5	6266H	Bearing Race Thrust Harden
6	121748X	Washer 25/32 x 1 5/8 x 16 Ga.
7	19272016	Washer 27/32 x 1 1/4 x 16 Ga.
8	12000029	Ring Klip #t5304-75
9	3366R	Bearing Col Strg Blk
10	175121	Link Drag Extended
11	10040600	Lockwasher
12	73940800	Nut Hex Jam Toplock 1/2-20 unf
13	136518	Spacer Bearing Axle Front
15	145212	Hex Flange Lock
17	180641	Shaft Asm Strg
26	126847X	Bushing Rod Tie Blk Lt
28	19131416	Washer 13/32 x 7/8 x 16 Ga.
29	17000612	Screw 3/8-16 x 3/4
30	76020412	Pin
32	130465	Rod Tie Wire Form 19 75 Mech
36	155099	Bushing Strg 5/8 Id Dash
37	152927	Screw TT #10-32 x 5 x 3/8 Flange
38	140045X428	Insert Cap Strg
39	19183812	Washer 9/16 ID x 2-3/8 OD 12 Gr.
40	73540600	Nut Crownlock
41	186737	Adaptor Wheel Strg .760
42	145054X428	Boot Dash Steering
43	121749X	Washer 25/32 x 1 1/4 x 16 Ga.
44	180640	Extension Steering
46	121232X	Cap Spindle Fr Top Blk
47	183226	Fitting Grease
51	73540400	Nut Crownlock 1/4-28
54	71130420	Bolt Hex 1/4-28 unf x 1-1/4 Gr. 8
65	160367	Spacer Brace Axle
67	72110618	Bolt Rdhd Sq 3/8-16 unc x 2-1/4
68	169827	Brace Axle
71	175146	Steering Asm
82	169835	Bracket Susp Chassis Front
88	175118	Bolt Shoulder 7/16-20
91	175553	Clip Steering
95	188967	Washer Hardened

NOTE: All component dimensions given in U.S. inches
1 inch = 25.4 mm

REPAIR PARTS

TRACTOR - - MODEL NUMBER PO17542ST (PO17542STB)

ENGINE



engine-bs.1cyl_17

KEY NO.	PART NO.	DESCRIPTION
1	170551	Control Throttle /Choke Flag
2	17720408	Screw Hex Thd Cut 1/4-20 x 1/2
3	-----	Engine Briggs Model 31C707 (Order Parts From Engine Manufacturer)
4	137352	Muffler Exhaust B&S Lt
13	165291	Gasket 1 313 Id Tin Plated
14	148456	Tube Drain Oil Easy
23	169837	Shield Browning/Debris Guard
29	137180	Arrestor Spark
31	184900	Tank Fuel 1 25 Fr
32	140527	Cap Asm Fuel W/sym Vented
33	123487X	Clamp Hose Blk

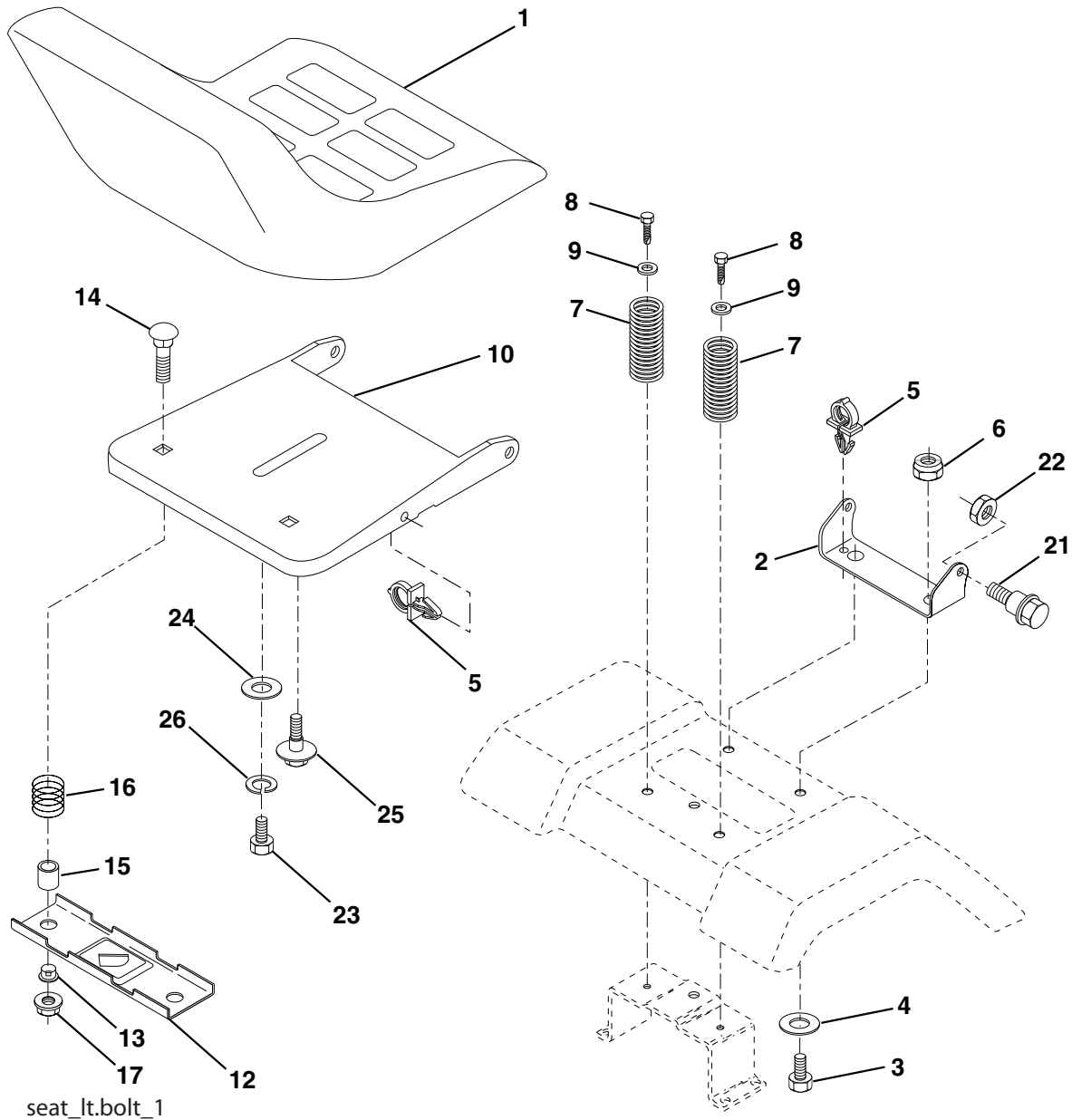
KEY NO.	PART NO.	DESCRIPTION
37	137040	Line Fuel 20"
38	181654	Plug Drain Oil Easy
40	124028X	Bushing Snap Nyl Blk Fuel Line
44	17670412	Screw Hexwsh Thdrol 1/4-20 x 3/4
45	17000612	Screw Hex Wsh Thdrol 3/8-16
46	19091416	Washer 9/32 X 7/8 X 16 Ga.
72	183906	Screw Socket Head 5/16-18 x 1
78	17060620	Screw Thdrol 3/8-16 x 1-1/4
81	73510400	Nut Keps Hex 1/4-20 unc

NOTE: All component dimensions given in U.S. inches
1 inch = 25.4 mm

REPAIR PARTS

TRACTOR -- MODEL NUMBER PO17542ST (PO17542STB)

SEAT ASSEMBLY



seat_lt.bolt_1

KEY NO.	PART NO.	DESCRIPTION
1	175389	Seat
2	140551	Bracket Pnt Pivot Seat (blk)
3	71110616	Bolt
4	19131610	Washer 13/32 x 1 x 10 Ga.
5	145006	Clip Push-In Hinged
6	73800600	Nut
7	124181X	Spring Seat Cprsn 2 250 Blk Zi
8	17000616	Screw 3/8-16 x 1.5
9	19131614	Washer 13/32 x 1 x 14 Ga.
10	182493	Pan Pnt Seat (blk)
12	121246X	Bracket Pnt Mounting Switch
13	121248X	Bushing Snap Blk Nyl 50 Id

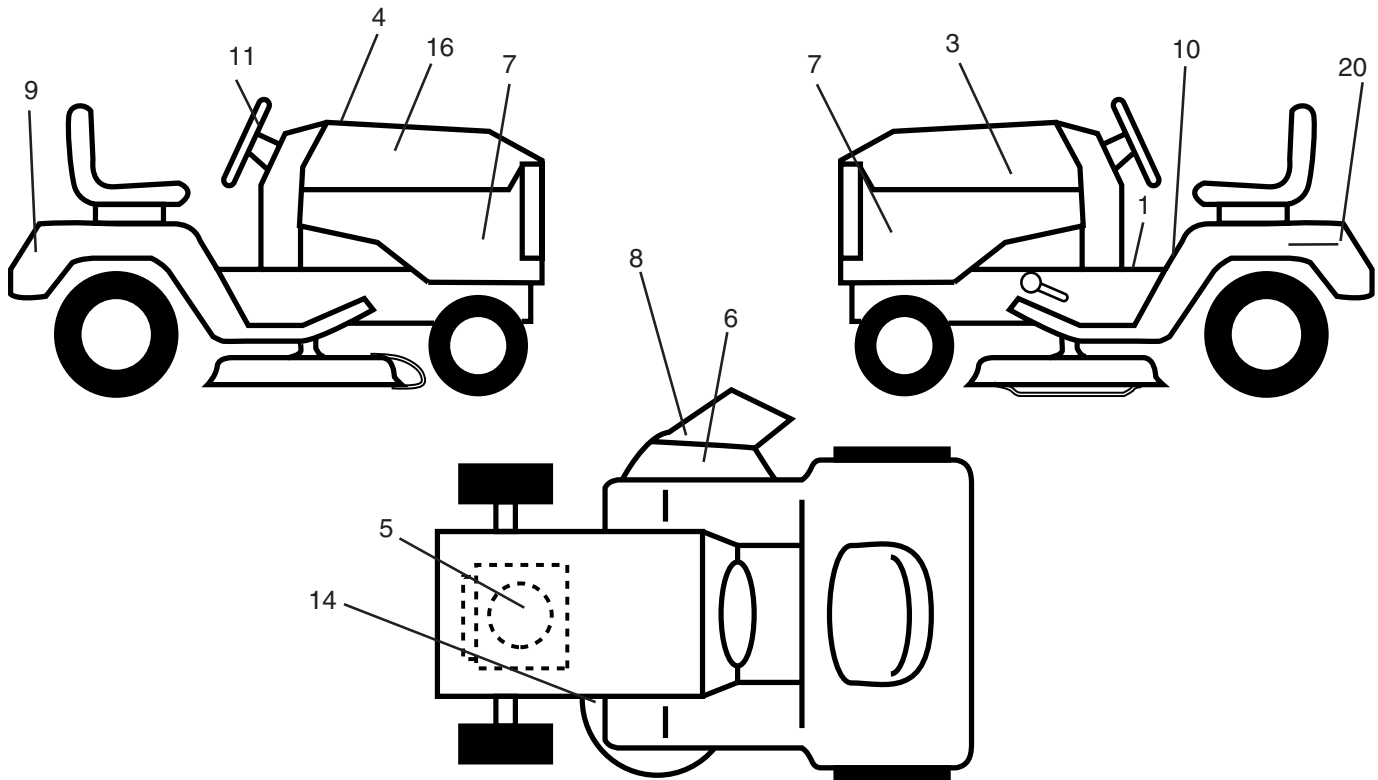
KEY NO.	PART NO.	DESCRIPTION
14	72050412	Bolt Rdhd Sht Nk 1/4-20 x 1-1/2
15	134300	Spacer Split 28 x 96 Yel Zinc
16	121250X	Spring Cprsn 1 27 Blk Pnt
17	123976X	Nut Lock 1/4 Lge Flg Gr. 5 Zinc
21	171852	Bolt Shoulder 5/16-18 unc Blkz-2A
22	73800500	Nut
23	71110814	Bolt Hex Black
24	19171912	Washer 17/32 x 1-3/16 x 12 Ga.
25	127018X	Bolt Shoulder 5/16-18 x 62
26	10040800	Lockwasher

NOTE: All component dimensions given in U.S. inches
1 inch = 25.4 mm

REPAIR PARTS

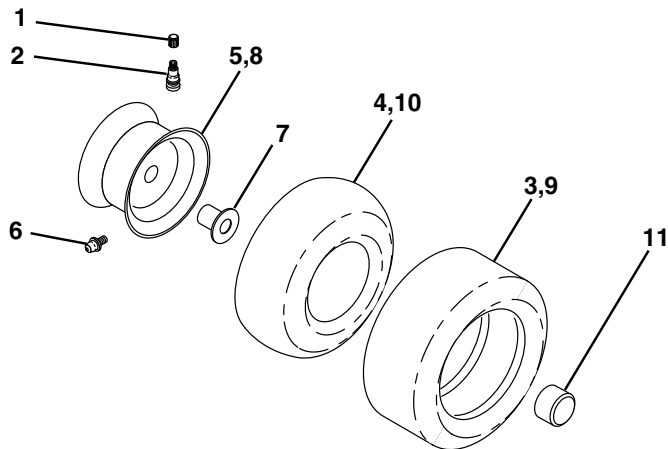
TRACTOR -- MODEL NUMBER PO17542ST (PO17542STB)

DECALS



KEY NO.	PART NO.	DESCRIPTION	KEY NO.	PART NO.	DESCRIPTION
1	156369	Decal Oper	10	157140	Decal Fender Danger E/F
3	188978	Decal Hood LH	11	158168	Decal Ins Strg Whl
4	190780	Decal Replace	14	160396	Decal V-Belt Schematic
5	184774	Decal HP Engine	16	188977	Decal Hood Rh
6	179128	Decal Deck "B" 42"	20	145005	Decal Bat Dan/Psn
7	188980	Decal Side Panel	--	138311	Decal Handle Lft Height Adjust
8	170563	Decal Warning Multi-Language	--	190781	Manual Owner's (English)
9	158166	Decal Fender Logo	--	190782	Manual Owner's (French)

WHEELS & TIRES



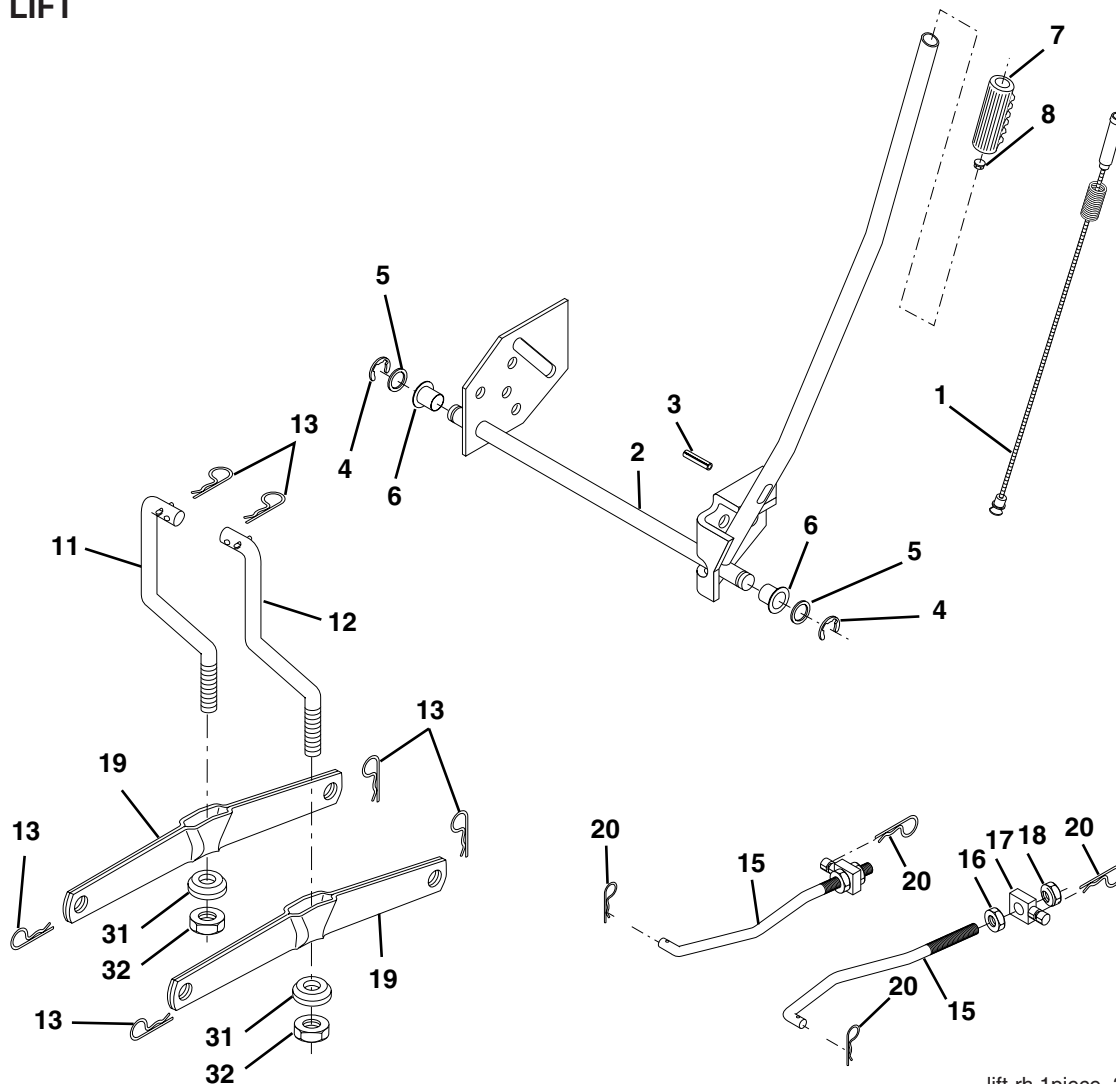
KEY NO.	PART NO.	DESCRIPTION
1	59192	Cap Valve Tire
2	65139	Stem Valve
3	106222X	Tire F Ts 15 X 6 0 - 6 Service
4	59904	Tube Front (Service Item Only)
5	106732X624	Rim Asm 6" front Service
6	278H	Fitting Grease (Front Wheel Only)
7	9040H	Bearing Flange (Front Wheel Only)
8	106108X624	Rim Asm 8" rear Service
9	106268X	Tire R Ts 18x9.5-8 Service
10	7152J	Tube Rear (Service Item Only)
11	104757X428	Cap Axle 1 50 X 1 00
--	144334	Sealant, Tire (10 oz. Tube)

NOTE: All component dimensions given in U.S. inches
1 inch = 25.4 mm

REPAIR PARTS

TRACTOR -- MODEL NUMBER PO17542ST (PO17542STB)

MOWER LIFT



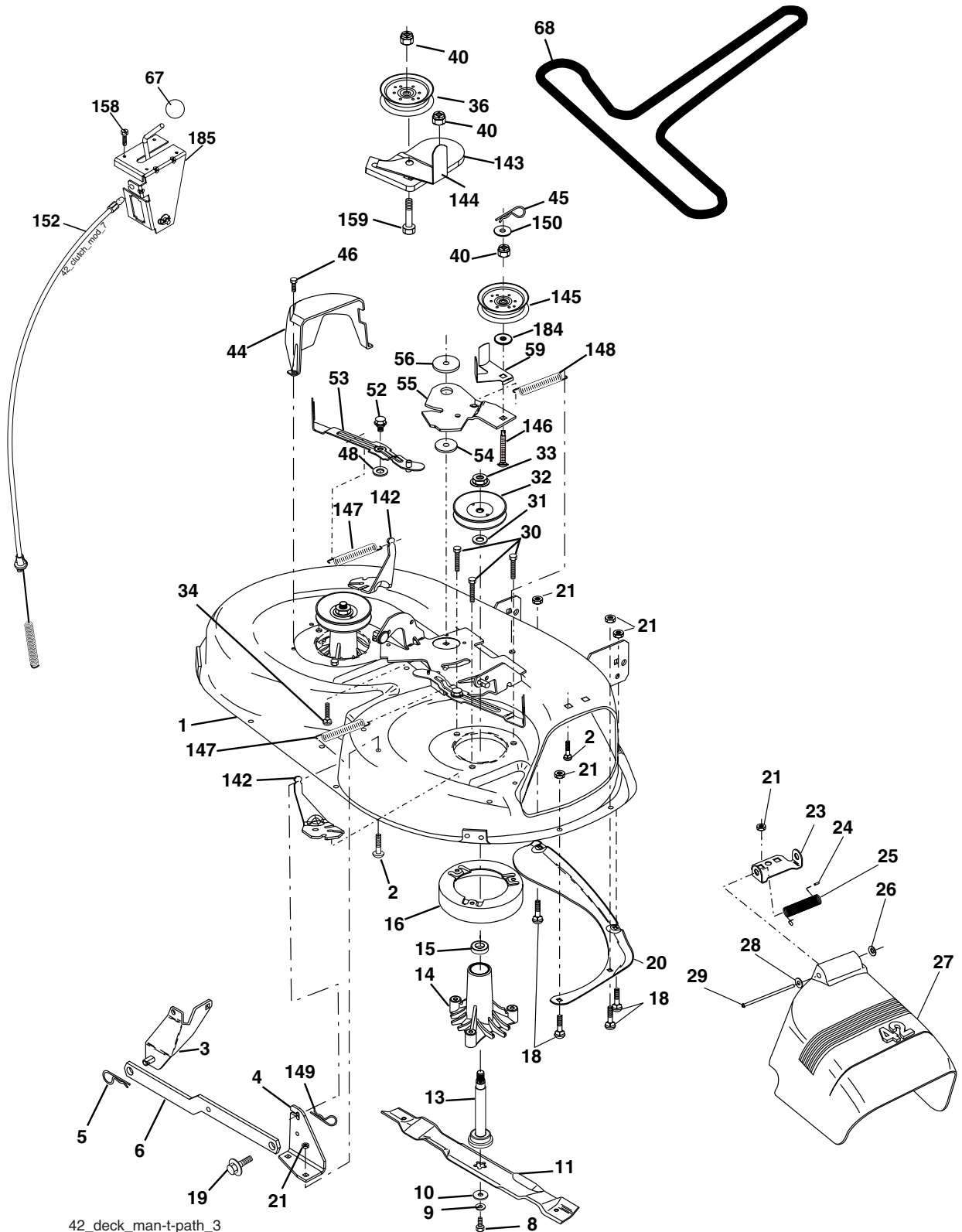
lift-rh.1piece_3

KEY NO.	PART NO.	DESCRIPTION
1	159461	Wire Asm Inner/Sprg w/Plunger
2	159476	Shaft Asm Lift
3	188822	Pin Groove
4	12000002	E Ring #5133-62
5	19211621	Washer 21/32 x 1 x 21 Ga.
6	120183X	Bearing Nylon
7	109413X	Grip Handle
8	124526X	Button Plunger
11	139865	Link Lift Lh
12	139866	Link Lift Rh
13	4939M	Retainer Spring
15	173288	Link Front
16	73350800	Nut Jam Hex 1/2-13 unc
17	175689	Trunnion Blk Zinc
18	73800800	Nut Lock w/Wsh 1/2-13 unc
19	139868	Arm Suspension Rear
20	163552	Retainer Spring
31	169865	Bearing Pvt Lift
32	73540600	Nut Crownlock 3/8-24

NOTE: All component dimensions given in U.S. inches
1 inch = 25.4 mm

REPAIR PARTS

TRACTOR -- MODEL NUMBER PO17542ST (PO17542STB) MOWER DECK



REPAIR PARTS

TRACTOR - - MODEL NUMBER PO17542ST (PO17542STB)

MOWER DECK

KEY NO.	PART NO.	DESCRIPTION	KEY NO.	PART NO.	DESCRIPTION
1	165892	Mower Deck Assembly, 42"	36	131494	Pulley, Idler, Flat
2	72140506	Bolt	37	19131316	Washer 13/32 x 13/16 x 16 Ga.
3	138017	Bracket Asm Fr. Sway Bar 3/42	40	73900600	Nut
4	165460	Bracket Asm Deck 42" Sway Bar	44	140088	Guard, Mandrel, LH
5	4939M	Retainer Spring	45	4497H	Retainer
6	178024	Bar Sway Deck	46	137729	Screw, Thdrol 1/4-20 x 5/8 T
8	850857	Bolt 3/8-24 x 25 Gr. 8 patched	48	133944	Washer, Hardened
9	10030600	Washer, Lock	52	139888	Bolt, Shoulder 5/16-18 unc
10	140296	Washer, Hardened	53	184907	Arm Assembly, Pad, Brake
		(The following blades are available)	54	178515	Washer, Hardened
11	134149	Blade, 42" Mulching Std	55	155046	Arm, Idler
		(For mulching mowers only)	56	165723	Spacer, Retainer
--	139775	Blade, 42" Mulching Premium	59	141043	Guard TUV Idler
		(For better wear when mulching)	67	106932X	Knob
--	138971	Blade, 42" Hi-Lift	68	144959	V-Belt, 42" Mower
		(For bagging or discharging)	142	165890	Arm Spring Brake Mower
13	137645	Shaft Assembly, Mandrel, Vented	143	157109	Bracket Arm Idler 42"
14	128774	Housing, Mandrel, Vented	144	158634	Keeper Belt 42" Clutch Cable
15	110485X	Bearing, Ball, Mandrel	145	165888	Pulley Idler Flat
16	174493	Stripper, Mandrel Deck	146	171977	Bolt Carriage Idler
18	72140505	Bolt, Carriage 5/16-18 x 5/8	147	131335	Spring Extension
19	132827	Bolt, Shoulder	148	169022	Spring Return Idler
20	159770	Baffle, Vortex	149	165898	Retainer Spring Yellow
21	73680500	Nut	150	19091210	Washer 9/32 x 3/4 x 10 Ga.
23	177563	Bracket, Deflector Mower 42"	152	169676	Clutch Cable 42"
24	105304X	Cap, Sleeve 80 x 112 Blk Mower	158	17720408	Screw Hex Thd Cut 1/4-20 x 1/2
25	123713X	Spring, Torsion, Deflector 2 52	159	72140614	Bolt Rdhd Sqd 3/8-16 unc x 1-3/4
26	110452X	Nut, Push Phos & Oil	184	19131410	Washer 13/32 x 7/8 x 10 Ga.
27	130968X428	Shield, Deflector 42" Blk	185	188234	Head Asm Cable Clutch
28	19111016	Washer 11/32 x 5/8 x 16 Ga.	--	130794	Mandrel Assembly (Includes Housing, Shaft and Shaft Hardware Only-Pulley Not Included)
29	131491	Rod, Hinge 42" 6 75 W/G			Replacement Mower, Complete
30	173984	Screw Thdrol Washer Head	--	171639	
31	187690	Washer, Spacer Mower Vented			
32	153535	Pulley, Mandrel			
33	178342	Nut, Toplock 9/16 Flange			
34	72110612	Bolt			

NOTE: All component dimensions given in U.S. inches
1 inch = 25.4 mm