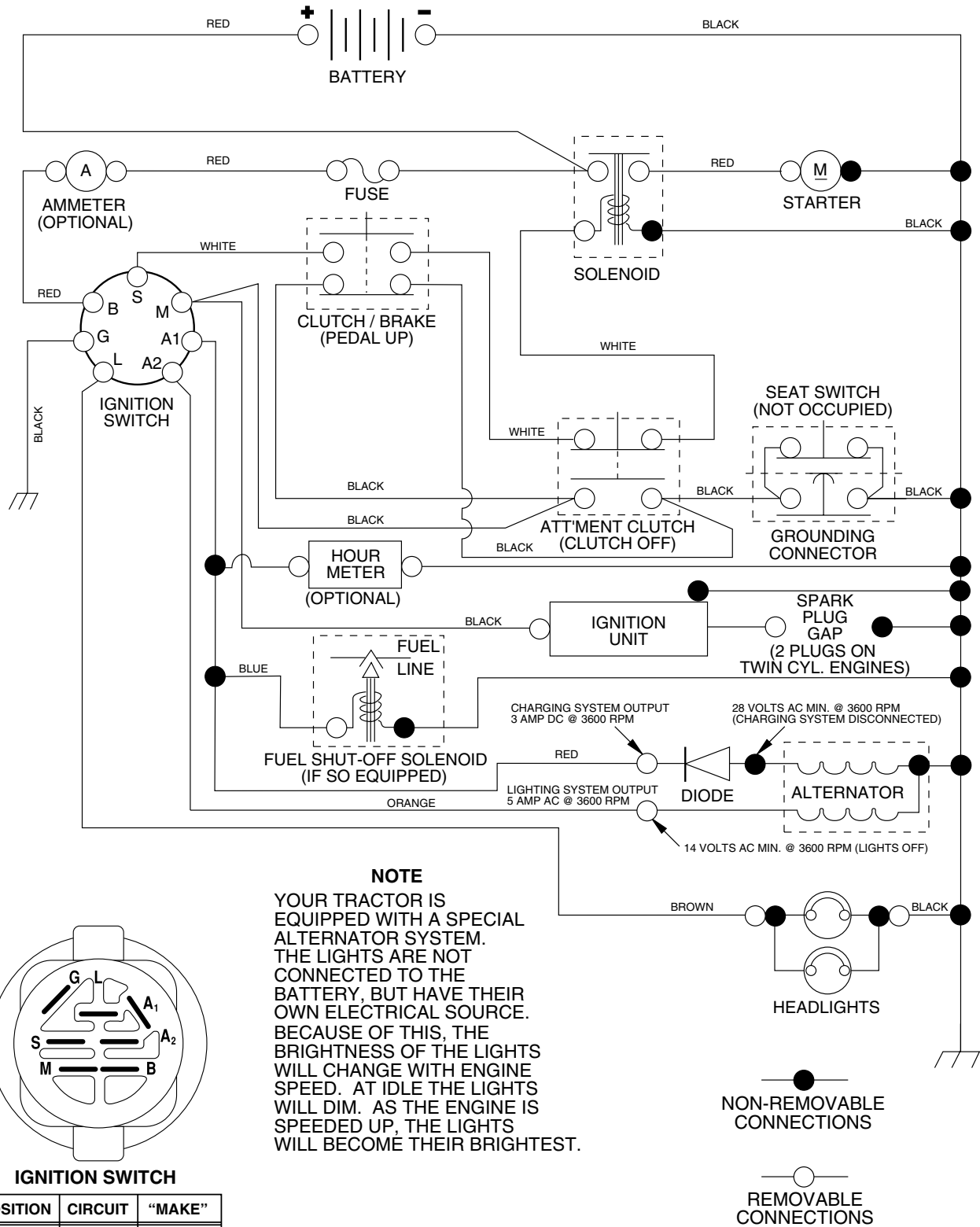


TRACTOR - - MODEL NUMBER PR1742STD

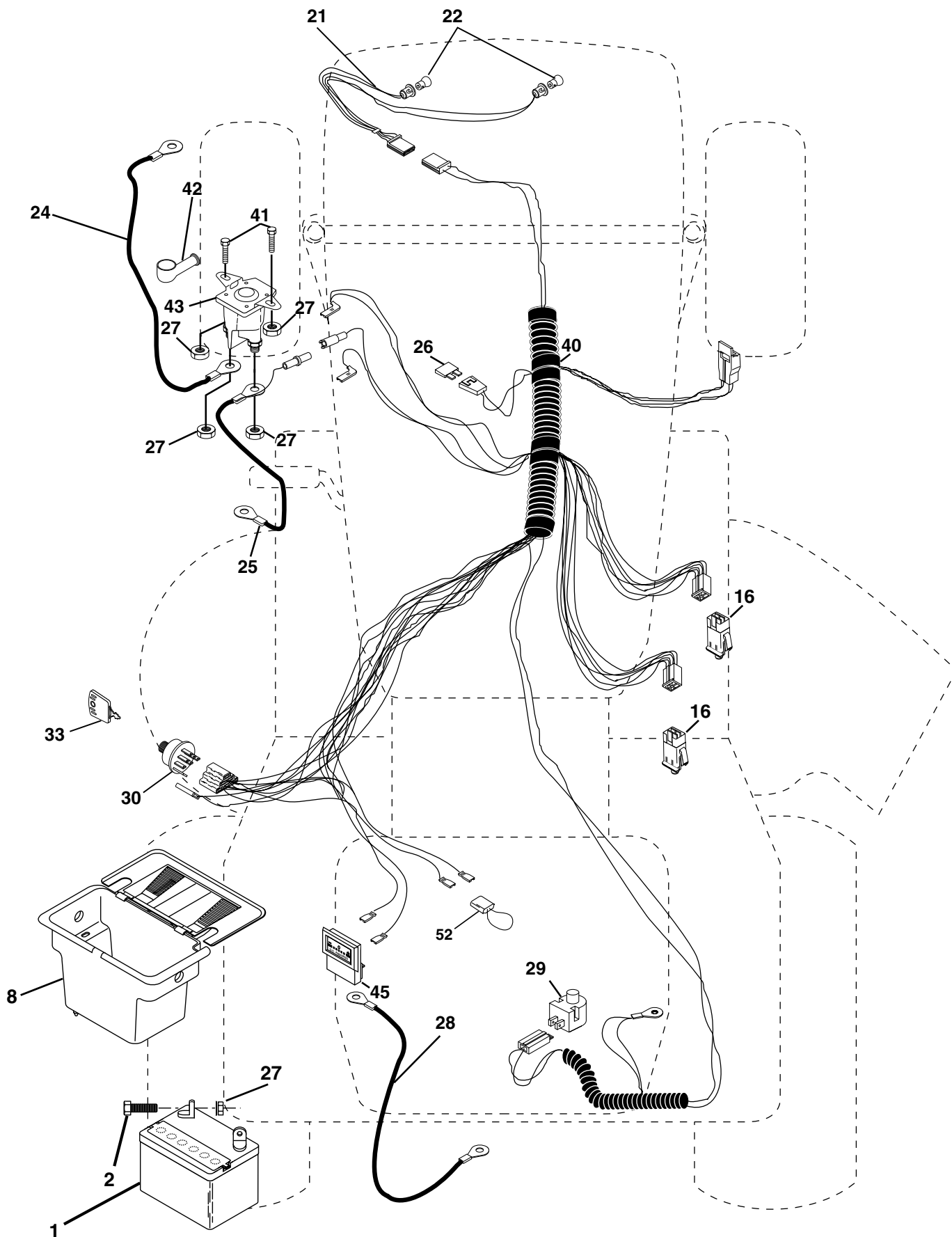
SCHEMATIC



REPAIR PARTS

TRACTOR - - MODEL NUMBER PR1742STD

ELECTRICAL



REPAIR PARTS

TRACTOR - - MODEL NUMBER PR1742STD

ELECTRICAL

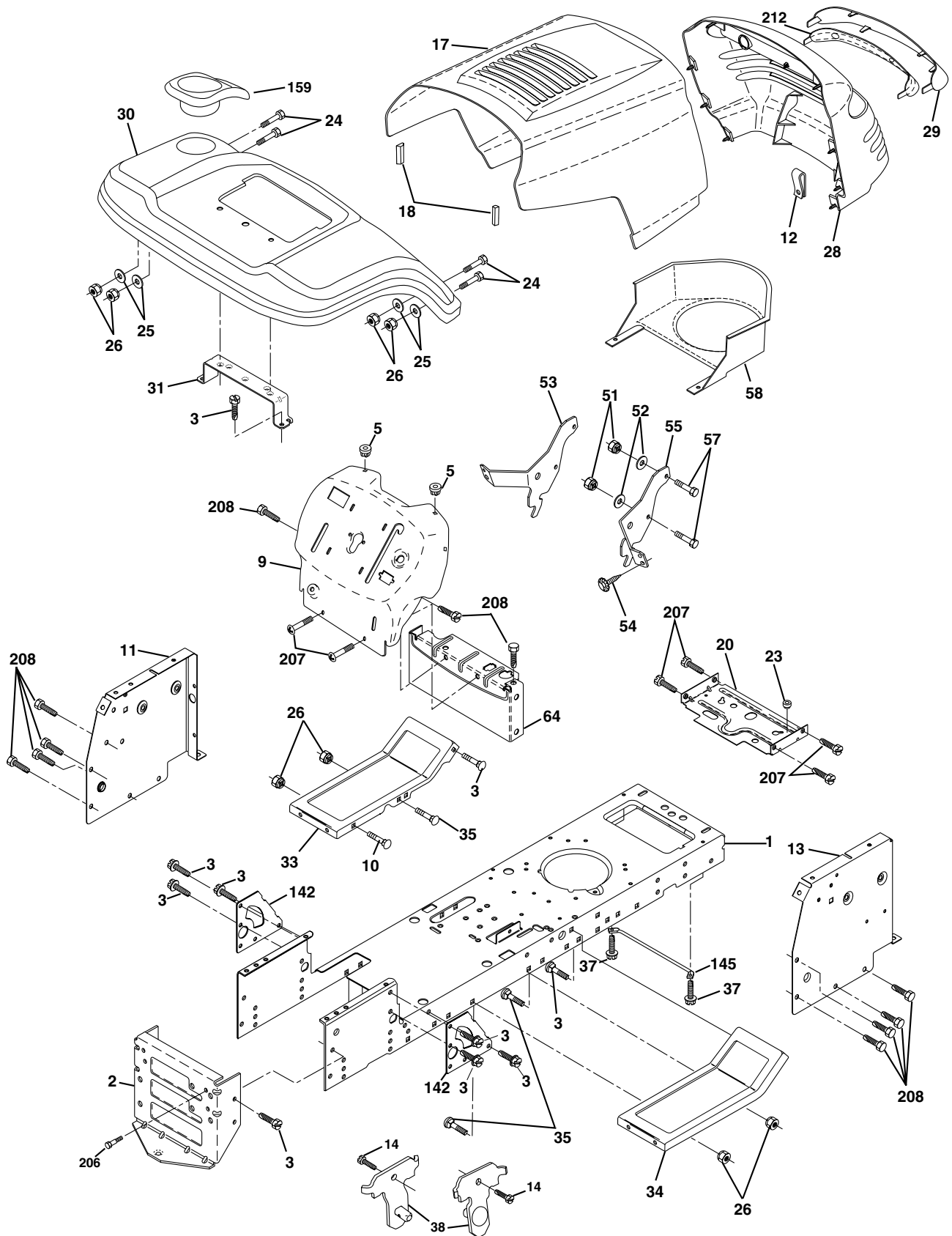
| KEY NO. | PART NO. | DESCRIPTION |
|---------|----------|----------------------------------|
| 1 | 144925 | Battery 12 Volt 25 Amp |
| 2 | 74760412 | Bolt Hex Hd 1/4-20unc X 3/4 |
| 8 | 156417 | Case Battery Mech Hinge |
| 16 | 153664 | Switch Interlock Push-In |
| 21 | 166181 | Harness Socket Light |
| 22 | 4152J | Bulb, Light # 1156 |
| 24 | 4799J | Cable Battery |
| 25 | 146147 | Cable Battery 6 Ga Red w/16 wire |
| 26 | 175158 | Fuse |
| 27 | 73510400 | Nut Keps Hex 1/4-20 Unc |
| 28 | 4207J | Cable Ground 6ga 12 black |
| 29 | 121305X | Switch Plunger Nc Gray |
| 30 | 175566 | Switch Ign |
| 33 | 140401 | Key Ign Molded Generic |
| 40 | 170217 | Harness Ign |
| 41 | 71110408 | Bolt Fin Hex 1/4-20uncx 1/2 |
| 42 | 131563 | Cover Terminal Red |
| 43 | 175141 | Solenoid |
| 45 | 121433X | Ammeter Rectangular |
| 52 | 141940 | Protection Loop |

NOTE: All component dimensions given in U.S. inches
1 inch = 25.4 mm

REPAIR PARTS

TRACTOR - - MODEL NUMBER PR1742STD

CHASSIS AND ENCLOSURES



REPAIR PARTS

TRACTOR - - MODEL NUMBER PR1742STD

CHASSIS AND ENCLOSURES

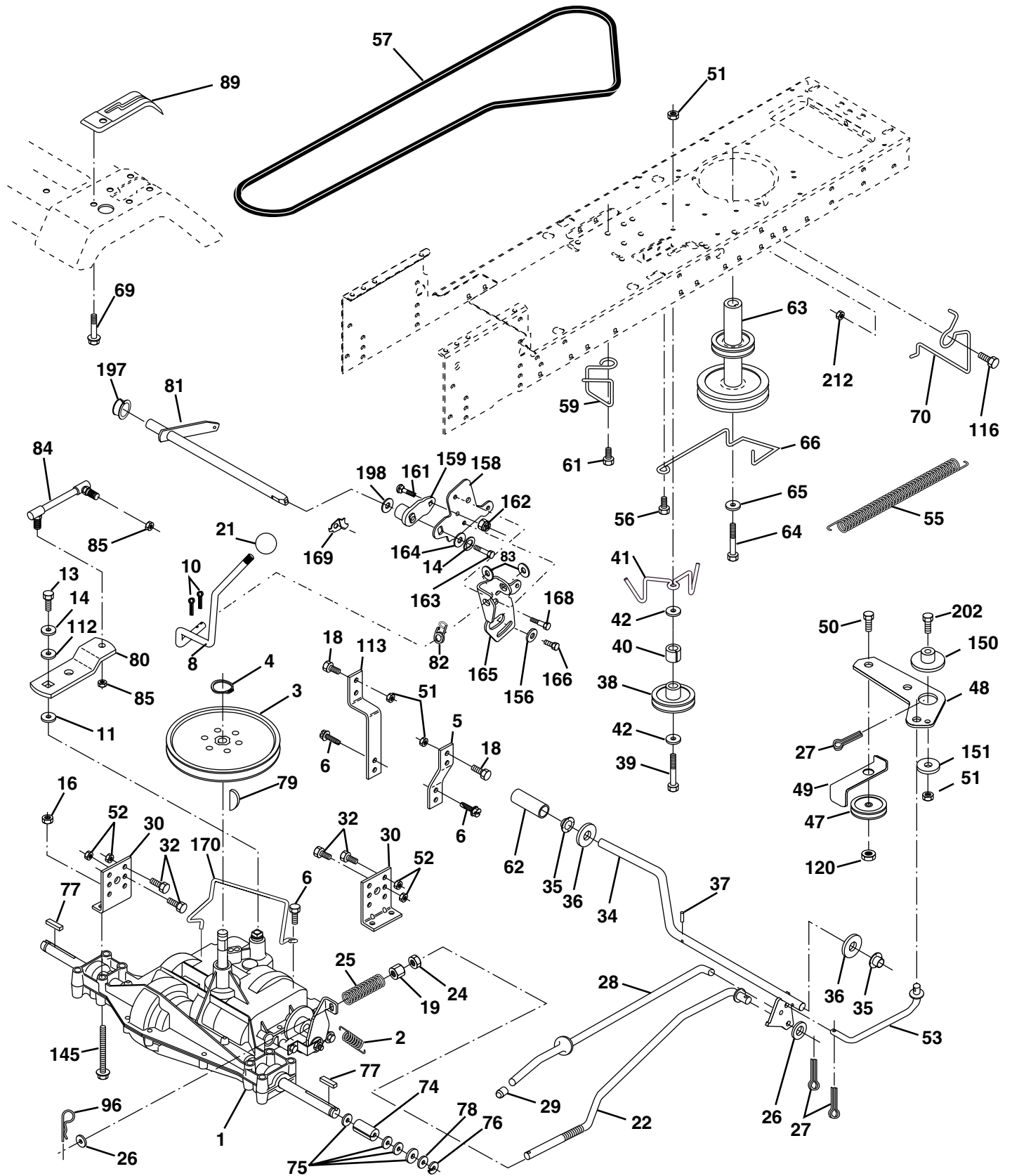
| KEY NO. | PART NO. | DESCRIPTION |
|---------|------------|---------------------------------|
| 1 | 174619 | Chassis |
| 2 | 176554 | Drawbar |
| 3 | 17060612 | Screw 3/8-16x.75 |
| 5 | 155272 | Bumper Hood/Dash |
| 9 | 168337X012 | Dash P/L |
| 10 | 72140608 | Bolt Carriage 3/8-16 x 1 |
| 11 | 155927 | Panel Dash Lh |
| 12 | 145660 | Clip Tinnerman |
| 13 | 172108 | Panel Dash Rh |
| 14 | 17490608 | Screw Thdrol 3/8-16 x 1-1/4 |
| 17 | 159639X428 | Hood LT/PL |
| 18 | 126938X | Bumper Hood |
| 20 | 156437 | Plate Mtg Battery Fuel Tank Fr |
| 23 | 124028X | Bushing |
| 24 | 74780616 | Bolt Fin Hex 3/8-16 x 1 Gr 5 |
| 25 | 19131312 | Washer 13/32 X 13/16 X 12 Ga |
| 26 | 73800600 | Nut Lock Hex W/Ins 3/8-16 Unc |
| 28 | 170474 | Grille LT/PL |
| 29 | 170472X599 | Lens LT/PL |
| 30 | 169470X428 | Fender Footrest STLT Pnt |
| 31 | 136619 | Bracket Support Fender |
| 33 | 145244X428 | Footrest Pnt Lh |
| 34 | 145243X428 | Footrest Pnt Rh |
| 35 | 72110606 | Bolt Rdhd Sht Sqnk 3/8-16 x 3/4 |
| 37 | 17490508 | Screw Thdrol 6/16-18 x 1/2 TYT |
| 38 | 169834 | Bracket Asm. Pivot Mower Rear |
| 51 | 73800400 | Nut Lock Hex W/Ins 1/4-20 |
| 52 | 19091416 | Washer 9/32 x 7/8 x 16 Ga. |
| 53 | 144697 | Bracjet Grukke Lh |
| 54 | 161464 | Screw Hex Wshd 8-18 x 7/8 |
| 55 | 144696 | Bracket Grille Rh |
| 57 | 74780412 | Bolt Hex 1/4-20 x 3/4 |
| 58 | 150127 | Duct Air |
| 64 | 154798 | Dash Lower STLT |
| 114 | 158112 | Keeper Belt Rear Lh |
| 115 | 17060620 | Screw 3/8-16 x 1-1/4 |
| 142 | 165867 | Plate Reinforcement STLT |
| 145 | 156524 | Rod Pivot Chassis/Hood |
| 159 | 169473X428 | Cupholder |
| 206 | 170165 | Bolt Shoulder 5/16-18 |
| 207 | 17670508 | Screw Thdrol 5/16-18 x 1/2 |
| 208 | 17670608 | Screw Thdrol 3/8-16 x 1/2 |
| 211 | 145212 | Nut Hex Flange Lock |
| 212 | 156229 | Insert Lens Reflect P/L LT |
| -- | 5479J | Plug Button |

NOTE: All component dimensions given in U.S. inches
1 inch = 25.4 mm

REPAIR PARTS

TRACTOR - - MODEL NUMBER PR1742STD

DRIVE



REPAIR PARTS

TRACTOR - - MODEL NUMBER PR1742STD

DRIVE

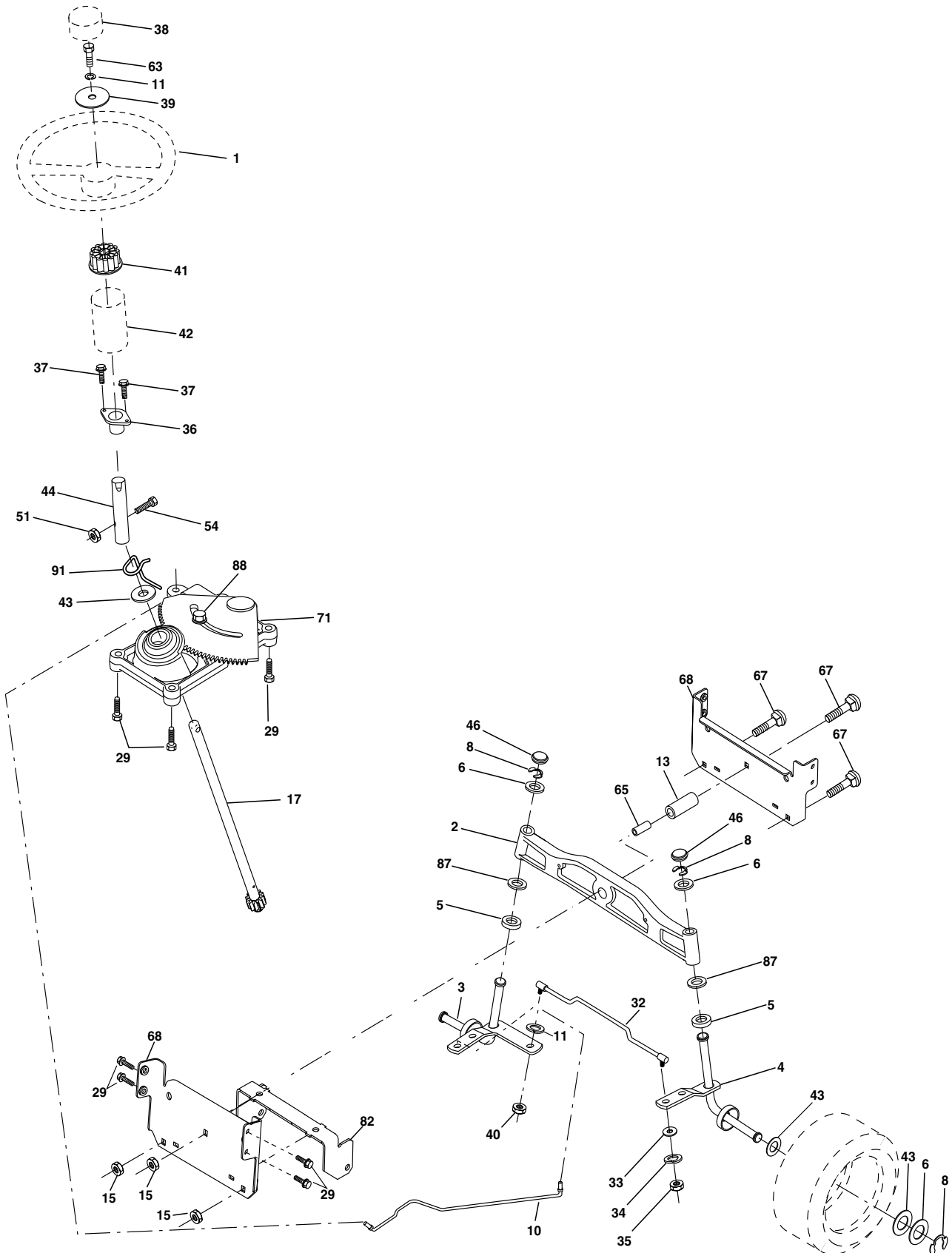
| KEY NO. | PART NO. | DESCRIPTION | KEY NO. | PART NO. | DESCRIPTION |
|---------|----------|--|---------|------------|-----------------------------------|
| 1 | ----- | Transaxle Peerless (206-545C) (Order parts from transaxle manufacturer) | 61 | 17060612 | Screw 3/8-16x.75 |
| 2 | 146682 | Spring Return Brake T/a Zinc | 62 | 8883R | Cover Pedal Blk Round |
| 3 | 123666X | Pulley Transaxle 18" tires | 63 | 175410 | Engine Pulley |
| 4 | 12000028 | Ring Retainer #5100-62 | 64 | 71170764 | Bolt Hex |
| 5 | 121520X | Strap Torque 30 Degrees | 65 | 10040700 | Washer Lock Hvy Hlcl Spr 7/16 |
| 6 | 17060512 | Screw 5/16-18 X 3/4 | 66 | 154778 | Keeper Belt Engine Foolproof |
| 8 | 165619 | Rod Shift Fender Adjust Lt | 69 | 142432 | Screw Hex wsh HiLo 1/4 x 1/2 unc |
| 10 | 76020416 | Pin Cotter 1/8 X 1 Cad | 70 | 134683 | Guide Belt Mower Drive RH |
| 11 | 105701X | Washer Plate Shf 388 Sq Hole | 74 | 137057 | Spacer Axle |
| 13 | 74550412 | Bolt 1/4-28 Unf Gr 8 W/Patch | 75 | 121749X | Washer 25/32 X 1 1/4 X 16 Ga |
| 14 | 10040400 | Washer Lock Hvy Helical | 76 | 12000001 | E-ring #5133-75 |
| 16 | 73800500 | Nut Lock Hex w/ins 5/16-18 | 77 | 123583X | Key Square 2 0 X 1845/ 1865 |
| 18 | 74780616 | Bolt, Fin Hex 3/8-16 UNC x 1 Gr. 5 | 78 | 121748X | Washer 25/32 X 1-5/8 X 16 Ga |
| 19 | 73800600 | Nut Lock 3/8-16 Unc | 79 | 2228M | Key Woodruff #9 3/16 x 3/4 |
| 21 | 140845 | Knob | 80 | 145090 | Arm Shift |
| 22 | 130804 | Rod Brake Blk Zinc 26 840 | 81 | 165592 | Shaft Asm Cross Tapered PMST/20 |
| 24 | 73350600 | Nut Hex Jam 3/8-16 Unc | 82 | 123782X | Spring Torsion T/a |
| 25 | 106888X | Spring Rod Brake 2 00 Zinc | 83 | 19171216 | Washer 17/32 X 3/4 X 16 Ga |
| 26 | 19131316 | Washer 13/32 X 13/16 X 16 Ga | 84 | 166231 | Link Transaxle PMST/20" Zinc |
| 27 | 76020412 | Pin Cotter 1/8 X 3/4 Cad | 85 | 150360 | Nut Lock Center 1/4 - 28 FNTHD |
| 28 | 175765 | Rod Brake Parking LT/YT | 89 | 169372X428 | Console Shift STLT |
| 29 | 71673 | Cap Brake Parking | 96 | 4497H | Retainer Spring 1" |
| 30 | 169592 | Bracket Mtg Transaxle | 112 | 19091210 | Washer 9/32 x 3/4 x 10 Ga. |
| 32 | 74760512 | Bolt Hex Hd 5/16-18unc X 3/4 | 113 | 127285X | Strap Torque LT |
| 34 | 175578 | Shaft Asm Pedal Foot | 116 | 72140608 | Bolt Rdhd Sq Neck 3/8-16 x 1 |
| 35 | 120183X | Bearing Nylon Blk 629 Id | 120 | 73900600 | Nut Lock Flg. 3/8-16 Unc |
| 36 | 19211616 | Washer 21/32 X 1 X 16 Ga | 145 | 74490540 | Bolt Hex FLGHD 5/16-18 Gr. 5 |
| 37 | 1572H | Pin Roll 3/16 X 1" | 150 | 175456 | Spacer Retainer |
| 38 | 165936 | Pulley Composite Flat | 151 | 19133210 | Washer 13/32 x 2 x 10 |
| 39 | 74760648 | Bolt Fin Hex 3/8-16 unc X 3 | 156 | 166002 | Washer Srrted 5/16ID x 1.125 |
| 40 | 175461 | Spacer Split Steel | 158 | 165589 | Bracket Shift Mount |
| 41 | 175556 | Keeper Belt Flat Idler | 159 | 165494 | Hub Tapered Flange Shift Lt |
| 42 | 19131312 | Washer 13/32 X 13/16 X 12 Ga | 161 | 72140406 | Bolt Rdhd Sqnk 1/4-20 x 3/4 Gr |
| 47 | 127783 | Pulley Idler V Groove Plastic | 162 | 73680400 | Nut Crownlock 1/4-20 Unc |
| 48 | 154407 | Bellcrank Asm | 163 | 74780416 | Bolt Hex Fin 1/4-20 Unc x 1 Gr 5 |
| 49 | 123205X | Retainer Belt Style Spring | 164 | 19091010 | Washer 5/8 x .281 x 10 Ga |
| 50 | 74760624 | Bolt Hex Hd 3/8-16unc X 1-1/2 | 165 | 165623 | Bracket Pivot Lever |
| 51 | 73680600 | Nut Crownlock 3/8-16 Unc | 166 | 166880 | Screw 5/16-18 x 5/8 |
| 52 | 73680500 | Nut Crownlock 5/16-18 Unc | 168 | 165492 | Bolt Shoulder 5/16-18 x .561 |
| 53 | 105710X | Link Clutch | 169 | 165580 | Plate Fastening |
| 55 | 105709X | Spring Return Clutch 6 75 | 170 | 173898 | Keeper Belt Transaxle Gear |
| 56 | 17060616 | Screw 3/8-16 x 1 | 197 | 169613 | Nyliner Snap-In |
| 57 | 130801 | V-Belt Ground Drive 95 25 | 198 | 169593 | Washer Nyliner |
| 59 | 169691 | Keeper Belt Span Ctr | 202 | 72110612 | Bolt Carr Sh 3/8-16 x 1-1/2 Gr. 5 |
| | | | 212 | 145212 | Nut Hexflange Lock |

NOTE: All component dimensions given in U.S. inches
1 inch = 25.4 mm

REPAIR PARTS

TRACTOR - - MODEL NUMBER PR1742STD

STEERING ASSEMBLY



REPAIR PARTS

TRACTOR - - MODEL NUMBER PR1742STD

STEERING ASSEMBLY

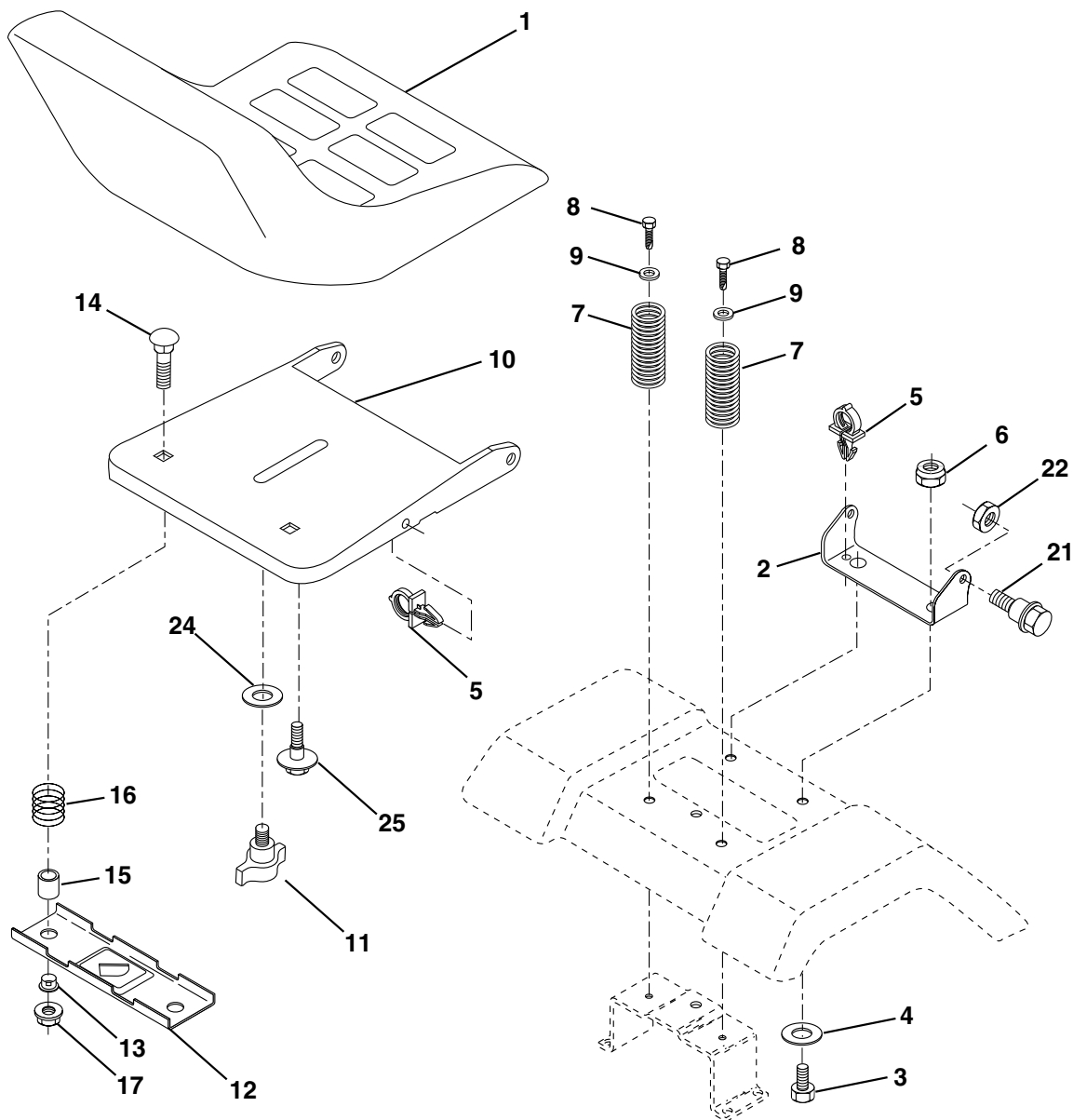
| KEY NO. | PART NO. | DESCRIPTION |
|---------|------------|----------------------------------|
| 1 | 159944X428 | Wheel Steering |
| 2 | 172393 | Axle Asm Cast Iron LT |
| 3 | 169840 | Spindle Asm LH |
| 4 | 169839 | Spindle Asm RH |
| 5 | 6266H | Bearing Race Thrust Harden |
| 6 | 121748X | Washer 25/32 X 1-5/8 X 16 Ga |
| 8 | 12000029 | Ring Klip #t5304-75 |
| 10 | 175121 | Link Drag |
| 11 | 10040600 | Washer Lock Hvy Hlcl Spr 3/8 |
| 13 | 136518 | Spacer Brg. Axle Front |
| 15 | 145212 | Nut Hex Flange Lock |
| 17 | 177876 | Shaft Asm. Steering |
| 29 | 17060612 | Screw 3/8-16x.75 |
| 32 | 171888 | Rod Tie |
| 33 | 19111216 | Washer 11/32 x 3/4 x 16 Ga. |
| 34 | 10040500 | Washer Lock Hvy Hlcl Spr 5/16 |
| 35 | 73540500 | Crownlock Nut 5/16-24 |
| 36 | 155099 | Bushing Strg |
| 37 | 152927 | Screw |
| 38 | 159946X428 | Insert Cap Strg Wh Au |
| 39 | 19132411 | Washer 13/32 X 2-3/8 X 12 Ga |
| 40 | 7810H | Lock nut |
| 41 | 159945 | Adaptor Wheel Strg |
| 42 | 145054X428 | Boot Steering Dash |
| 43 | 121749X | Washer 25/32 X 1 1/4 X 16 Ga |
| 44 | 153720 | Extension Steering Shaft LR/LT |
| 46 | 121232X | Cap Spindle Fr Top Blk |
| 51 | 73800500 | Nut Lock Hex w/Ins 5/16-18 |
| 54 | 74780520 | Bolt Fin Hex 5/16-18 Unc x 1-1/4 |
| 63 | 74780616 | Bolt Fin Hex 3/8-16unc x 1 Gr. 5 |
| 65 | 160367 | Brace Axle |
| 67 | 72140618 | Bolt Rdhd Sq 3/8-16 Unc x 2-1/4 |
| 68 | 169827 | Axle, Brace |
| 71 | 175146 | Steering Asm. |
| 82 | 169835 | Bracket Susp. Chassis Front |
| 87 | 173966 | Washer Flat .781 x 1-1/2 x .14 |
| 88 | 175118 | Bolt Shoulder 7/16-20 Unc |
| 91 | 175553 | Clip Steering |

NOTE: All component dimensions given in U.S. inches
1 inch = 25.4 mm

REPAIR PARTS

TRACTOR - - MODEL NUMBER PR1742STD

SEAT ASSEMBLY



| KEY NO. | PART NO. | DESCRIPTION |
|---------|----------|--------------------------------|
| 1 | 171683 | Seat |
| 2 | 140551 | Bracket Pivot Seat 8 720 |
| 3 | 71110616 | Bolt Fin Hex 3/8-16 Unc X 1 |
| 4 | 19131610 | Washer 13/32 X 1 X 10 Ga |
| 5 | 145006 | Clip Push-In |
| 6 | 73800600 | Nut Hex w/Ins. 3/8-16 Unc |
| 7 | 124181X | Spring Seat Cprsn 2 250 Blk Zi |
| 8 | 17000616 | Screw 3/8-16 X 1.5 |
| 9 | 19131614 | Washer 13/32 X 1 X 14 Ga. |
| 10 | 174894 | Pan Seat |
| 11 | 166369 | Knob Seat |

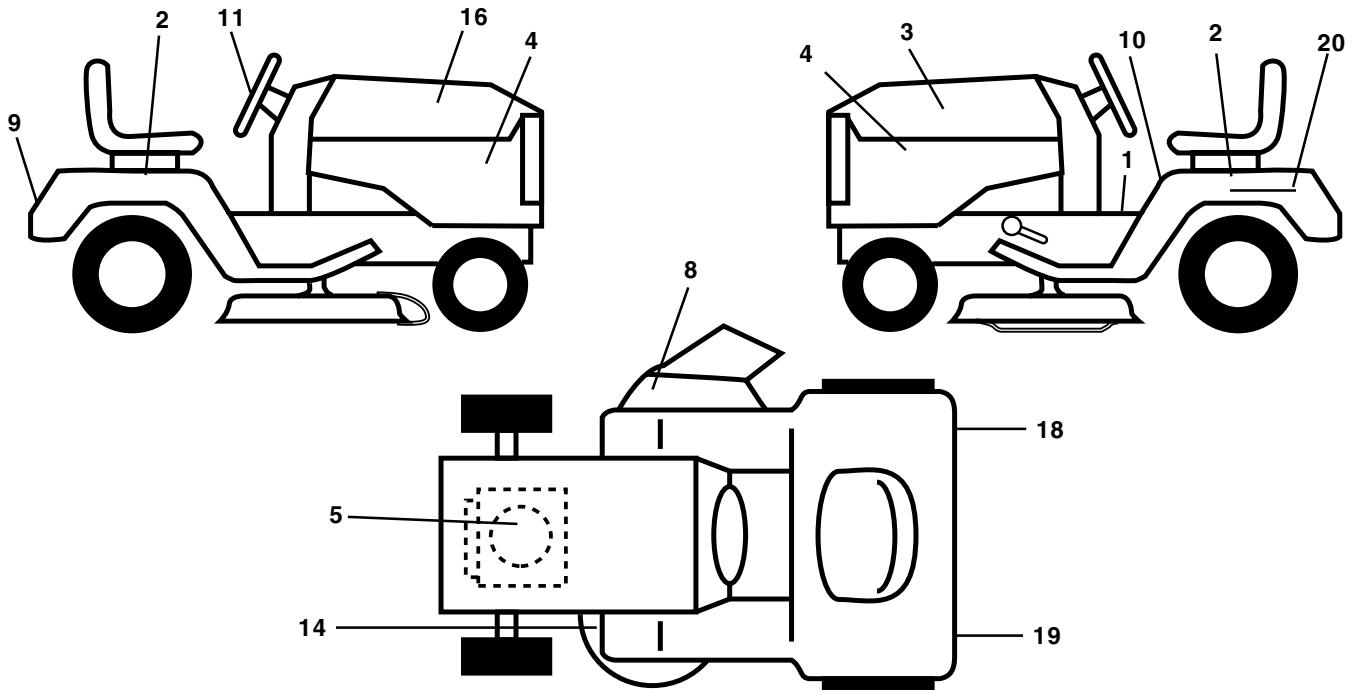
| KEY NO. | PART NO. | DESCRIPTION |
|---------|----------|--------------------------------|
| 12 | 121246X | Bracket Mounting Switch |
| 13 | 121248X | Bushing Snap Blk Nyl 50 Id |
| 14 | 72050412 | Bolt Rdhd Sqnk 1/4-20x1-1/2 |
| 15 | 134300 | Spacer Split 28x 88 |
| 16 | 121250X | Spring Cprsn |
| 17 | 123976X | Nut Lock 1/4 Lge Flg Gr 5 Zinc |
| 21 | 171852 | Bolt Shoulder 5/16-18 Unc |
| 22 | 73800500 | Nut Hex Lock W/Ins 5/16-18 |
| 24 | 19171912 | Washer 17/32 X 1-3/16 X 12 Ga. |
| 25 | 127018X | Bolt Shoulder 5/16-18 X 62 |

NOTE: All component dimensions given in U.S. inches
1 inch = 25.4 mm

REPAIR PARTS

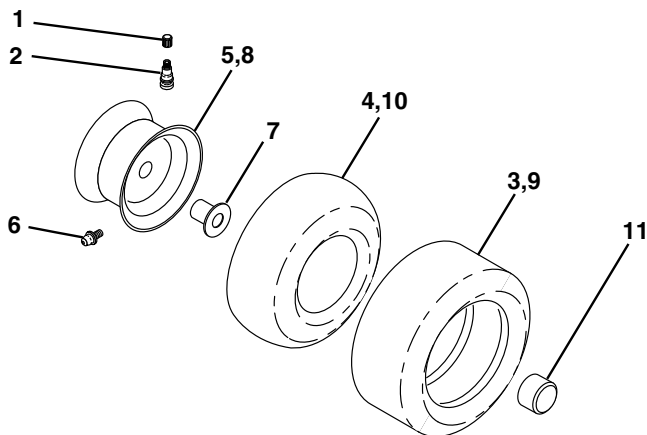
TRACTOR - - MODEL NUMBER PR1742STD

DECALS



| KEY NO. | PART NO. | DESCRIPTION | KEY NO. | PART NO. | DESCRIPTION |
|---------|---------------|------------------------------|---------|---------------|--------------------------------|
| 1 | 156369 | Decal Oper | 14 | 160396 | Decal V-Belt Schematic |
| 2 | 176305 | Decal Fender Side | 16 | 176307 | Decal Hood Rh |
| 3 | 176308 | Decal Hood LH | 18 | 173587 | Decal Fender Reflector RH |
| 4 | 176304 | Decal Side Panel Logo | 19 | 173589 | Decal Fender Reflector LH |
| 5 | 179392 | Decal HP Engine | 20 | 145005 | Decal Bat Dan/Psn |
| 8 | 170563 | Decal Warning Multi-Language | -- | 133671 | Pad Footrest |
| 9 | 172740 | Decal Fender Logo | -- | 138311 | Decal Handle Lft Height Adjust |
| 10 | 157140 | Decal Fender Danger E/F | -- | 180198 | Manual Owner's (English) |
| 11 | 172743 | Decal Ins Strg Whl | -- | 180199 | Manual Owner's (French) |

WHEELS AND TIRES



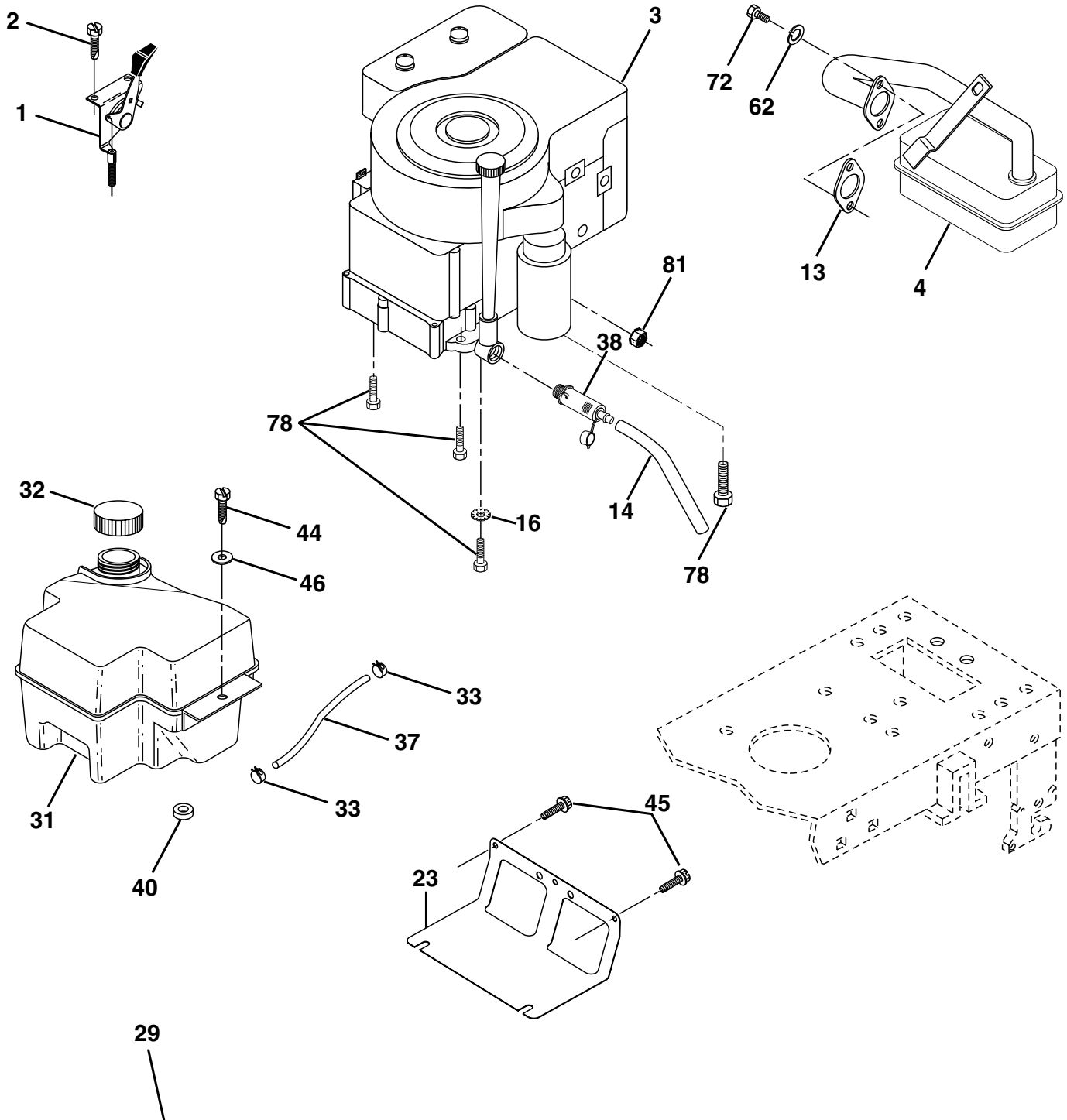
| KEY NO. | PART NO. | DESCRIPTION |
|---------|------------|-----------------------------------|
| 1 | 59192 | Cap Valve Tire |
| 2 | 65139 | Stem Valve |
| 3 | 170455 | Tire F Ts 15 X 6 0 - 6 Service |
| 4 | 59904 | Tube Front (Service Item Only) |
| 5 | 106732X421 | Rim Asm 6"front Service |
| 6 | 278H | Fitting Grease (Front Wheel Only) |
| 7 | 9040H | Bearing Flange (Front Wheel Only) |
| 8 | 106108X421 | Rim Asm 8"rear Service |
| 9 | 170456 | Tire R Ts 20x10-8 C Service |
| 10 | 7152J | Tube Rear (Service Item Only) |
| 11 | 104757X428 | Cap Axle Blk 1 50 X 1 00 |
| -- | 144334 | Sealant, Tire (10 oz. Tube) |

NOTE: All component dimensions given in U.S. inches
1 inch = 25.4 mm

REPAIR PARTS

TRACTOR - - MODEL NUMBER PR1742STD

ENGINE



OPTIONAL EQUIPMENT
Spark Arrester

REPAIR PARTS

TRACTOR - - MODEL NUMBER PR1742STD

ENGINE

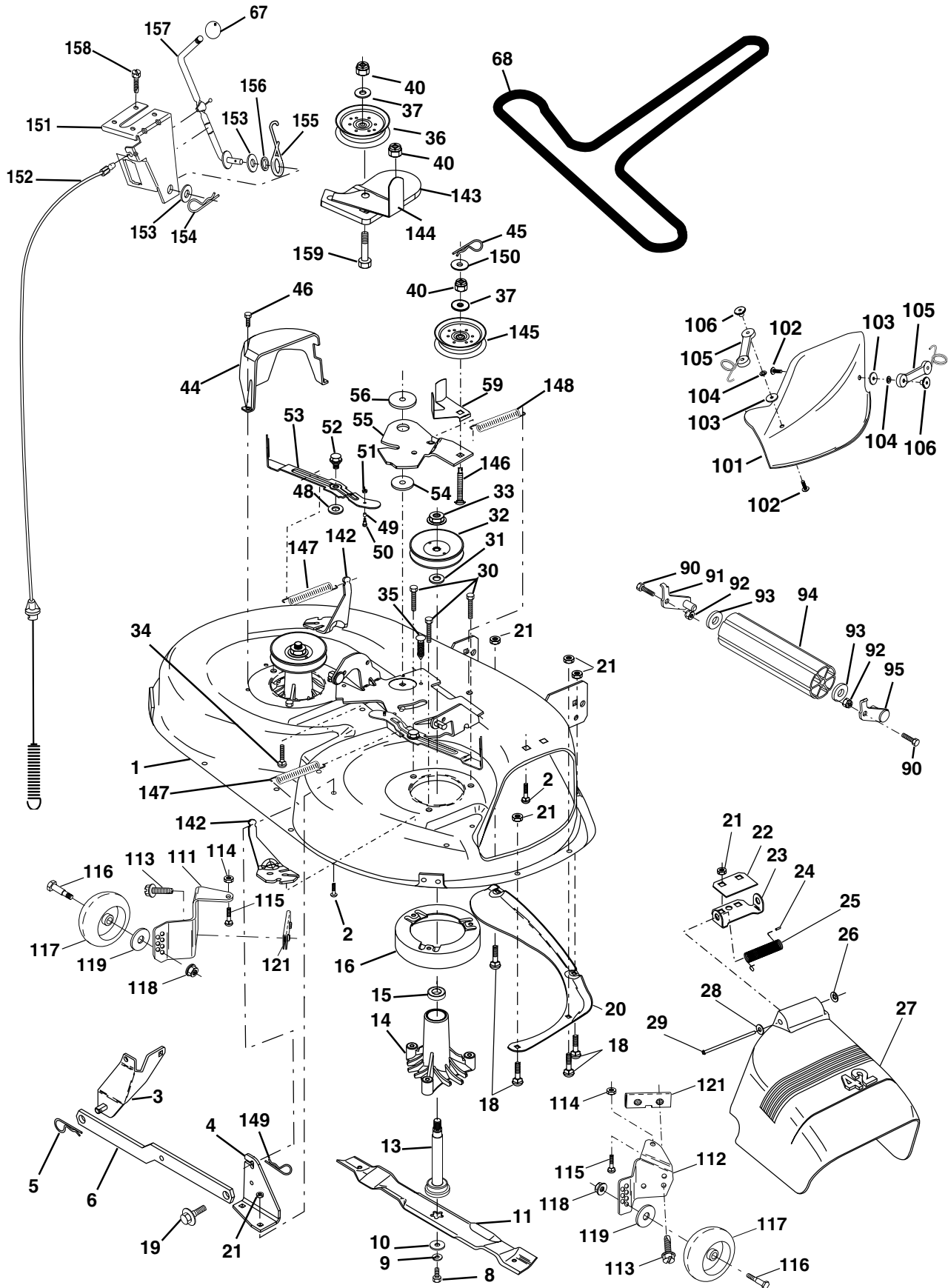
| KEY NO. | PART NO. | DESCRIPTION |
|---------|----------|---|
| 1 | 170551 | Control Th/ch Flag |
| 2 | 17720410 | Screw Hex Thd Cut 1/4-20x5/8 T |
| 3 | ----- | Engine, Briggs Model 311777 (Order Parts From Engine Manufacturer) |
| 4 | 137352 | Muffler Exhaust |
| 13 | 165291 | Gasket Muffler |
| 14 | 148456 | Tube Drain Oil Easy |
| 16 | 11050600 | Washer Lock Ext Tooth 3/8 |
| 23 | 169837 | Shield Brn/Dbr Guard |
| 29 | 137180 | Arrestor Spark |
| 31 | 174642 | Tank Fuel Front 2 00 |
| 32 | 140527 | Cap Fuel |
| 33 | 123487X | Clamp Hose Black |
| 37 | 137040 | Line Fuel 20" |
| 38 | 148315 | Plug Drain Oil Easy |
| 40 | 124028X | Bushing Snap Nyl Blk Fuel Line |
| 44 | 17670412 | Screw Hex wsh Thdrol 1/4-20x3/4 |
| 45 | 17000612 | Screw Hex Wsh Thdrol 3/8-16 x 3/4 |
| 46 | 19091416 | Washer 9/32 X 7/8 X 16 Ga |
| 62 | 10040500 | Washer Lock Hvy Hlcl Spr 5/16 |
| 72 | 71070512 | Screw Hex Hd Cap 5/16-18 x 3/4 |
| 78 | 17060620 | Screw 3/8-16 x 1-1/4 |
| 81 | 73510400 | Nut Keps Hex 1/4-20 Unc |

NOTE: All component dimensions given in U. S.
inches 1 inch = 25.4 mm

REPAIR PARTS

TRACTOR - - MODEL NUMBER PR1742STD

MOWER DECK



REPAIR PARTS

TRACTOR - - MODEL NUMBER PR1742STD

MOWER DECK

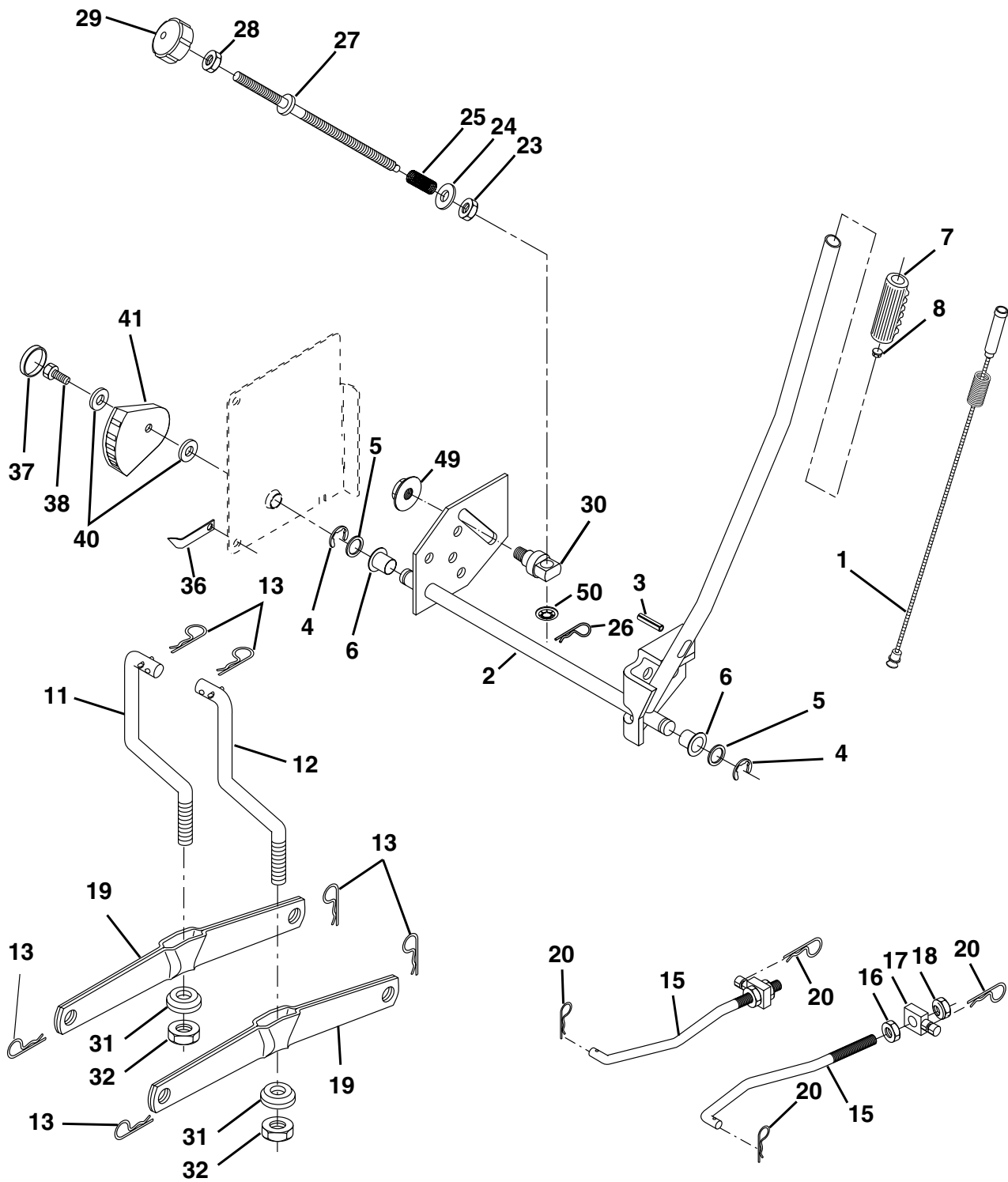
| KEY NO. | PART NO. | DESCRIPTION | KEY NO. | PART NO. | DESCRIPTION |
|---------|------------|----------------------------------|---------|------------|--|
| 1 | 165892X421 | Mower Deck Assembly, 42" | 68 | 144959 | V-Belt, 42" Mower |
| 2 | 72140506 | Bolt | 90 | 74760616 | Bolt Fin Hex 3/8-16 Unc x 1 |
| 3 | 138017 | Bracket Asm Fr. Sway Bar 3/42 | 91 | 132274 | Bracket Asm. Noseroller LH |
| 4 | 165460X421 | Bracket Asm Deck 42" Sway Bar | 92 | 73800600 | Nut, Lock, Hex W/Ins 3/8-16 UNC |
| 5 | 4939M | Retainer Spring | 93 | 19171416 | Washer 17/32 x 7/8 x 16 Ga. |
| 6 | 130832 | Arm, Suspension, Rear | 94 | 132264 | Roller, Nose |
| 8 | 850857 | Bolt 3/8-24 x 25 Grade 8 patched | 95 | 132273 | Bracket Asm. Noseroller RH |
| 9 | 10030600 | Washer, Lock | 101 | 136420 | Mulcher Cover |
| 10 | 140296 | Washer, Hardened | 102 | 71081010 | Screw |
| 11 | 134149 | Blade, Mulching 42" | 103 | 19061216 | Washer, Flat |
| | 138498 | Blade Mower 42" Hi-Lift | 104 | 10071000 | Washer, Lock |
| 13 | 137645 | Shaft Assembly, Mandrel, Vented | 105 | 160793 | Latch Assembly |
| 14 | 128774 | Housing, Mandrel, Vented | 106 | 2029J | Nut, Weld |
| 15 | 110485X | Bearing, Ball, Mandrel | 111 | 155197X421 | Bracket, Gauge, Wheel LH |
| 16 | 174493 | Stripper, Mandrel Deck | 112 | 155198X421 | Bracket, Gauge, Wheel RH |
| 18 | 72140505 | Bolt, Carriage 5/16-18 x 5/8 | 113 | 17060514 | Screw Tapping 5/16-18 Unc |
| 19 | 132827 | Bolt, Shoulder | 114 | 73510500 | Nut, Keps 5/16 - 18 UNC |
| 20 | 159770 | Baffle, Vortex | 115 | 72110504 | Bolt, Carriage 5/16-18 x 1/2 |
| 21 | 73680500 | Nut | 116 | 4898H | Bolt, Shoulder |
| 22 | 134753X421 | Stiffener Bracket | 117 | 165746 | Wheel, Gauge |
| 23 | 131267X421 | Bracket, Deflector Mower 42" | 118 | 73930600 | Nut Centerlock 3/8-16 |
| 24 | 105304X | Cap, Sleeve 80 x 112 Blk Mower | 119 | 19121414 | Washer 3/8 x 7/8 x 14 Ga. |
| 25 | 123713X | Spring, Torsion, Deflector 2 52 | 121 | 173986 | Bracket, Extruded |
| 26 | 110452X | Nut, Push Phos & Oil | 142 | 165890X421 | Arm Spring Brake Mower |
| 27 | 130968X428 | Shield, Deflector 42" Blk | 143 | 157109X421 | Bracket Arm Idler 42" |
| 28 | 19111016 | Washer 11/32 x 5/8 x 16 Gauge | 144 | 173441 | Keeper Belt 42" Clutch Cable |
| 29 | 131491 | Rod, Hinge 42" 6 75 W/G | 145 | 173437 | Pulley Idler Flat |
| 30 | 157722 | Screw Thdrol Washer Head | 146 | 173443 | Bolt Carriage Idler |
| 31 | 129963 | Washer, Spacer Mower Vented | 147 | 131335 | Spring Extension |
| 32 | 173436 | Pulley, Mandrel | 148 | 169022 | Spring Return Idler |
| 33 | 137266 | Nut, Toplock 9/16 | 149 | 165898 | Retainer Spring Yellow |
| 34 | 72110614 | Bolt | 150 | 19091216 | Washer 9/32 x 3/4 x 16 Ga. |
| 35 | 133835 | Fastener, Christmas Tree | 151 | 169670 | Bracket Clutch Cable |
| 36 | 173438 | Pulley, Idler, Flat | 152 | 169676 | Clutch Cable 42" |
| 37 | 19131316 | Washer 13/32 x 13/16 x 16 Gauge | 153 | 169674 | Washer Flat 3/8" Type B |
| 40 | 73680600 | Nut | 154 | 169675 | Spring Retainer |
| 44 | 140088 | Guard, Mandrel, LH | 155 | 169671 | Spring Retention LVR CLTCH CAB |
| 45 | 4497H | Retainer | 156 | 169672 | Spacer Clutch Cable |
| 46 | 137729 | Screw, Thdrol 1/4-20 x 5/8 T | 157 | 169669 | Rod Clutch Cable 3/8" |
| 48 | 133944 | Washer, Hardened | 158 | 17720410 | Screw Hex Thd Cut 1/4-20 x 5/8 |
| 49 | 174284 | Roller Assembly, Cam Follower | 159 | 72140614 | Bolt Rdhd Sqn 3/8-16 UNC x 1-3/4 |
| 50 | 131340 | Bolt, Shoulder #10-24 Grade 5 | -- | 130794 | Mandrel Assembly (Includes Key Numbers 8-10, 13-15, 31 and 33) |
| 51 | 69180 | Locknut | -- | 172559 | Replacement Mower, Complete |
| 52 | 139888 | Bolt, Shoulder 5/16-18 UNC | | | |
| 53 | 131845 | Arm Assembly, Pad, Brake | | | |
| 54 | 133943 | Washer, Hardened | | | |
| 55 | 155046X421 | Arm, Idler | | | |
| 56 | 122052X | Spacer, Retainer | | | |
| 59 | 173442 | Guard TUV Idler | | | |
| 67 | 106932X | Knob | | | |

NOTE: All component dimensions given in U.S. inches
1 inch = 25.4 mm

REPAIR PARTS

TRACTOR - MODEL NUMBER PR1742STD

MOWER LIFT



REPAIR PARTS

TRACTOR - MODEL NUMBER PR1742STD

MOWER LIFT

| KEY NO. | PART NO. | DESCRIPTION |
|---------|----------|----------------------------------|
| 1 | 159460 | Wire Asm Inner/Sprg W/plunger LT |
| 2 | 159471 | Shaft Asm Lift RH w/Inf |
| 3 | 105767X | Pin Groove 1 500 Zinc |
| 4 | 12000002 | E Ring #5133-62 |
| 5 | 19211621 | Washer 21/32 X 1 X 21 Ga |
| 6 | 120183X | Bearing Nylon Blk 629 Id |
| 7 | 125631X | Grip Handle |
| 8 | 170770 | Button Plunger Yellow |
| 11 | 139865 | Link Lift LH Fixed Length |
| 12 | 139866 | Link Lift RH Fixed Length |
| 13 | 4939M | Retainer Spring |
| 15 | 173288 | Link Front |
| 16 | 73350800 | Nut Jam Hex 1/2-13 Unc |
| 17 | 130171 | Trunnion Blk Zinc |
| 18 | 73800800 | Nut Lock w/Wsh 1/2-13 Unc |
| 19 | 139868 | Arm Suspension Rear |
| 20 | 163552 | Retainer Spring |
| 23 | 110807X | Nut Special |
| 24 | 19131016 | Washer 13/32 X 5/8 X 16 Ga |
| 25 | 2876H | Spring 2-1/8" |
| 26 | 169484 | Retainer Clip |
| 27 | 126971X | Rod Adj Lift Zinc 7.49 Wrk Lg |
| 28 | 73350600 | Nut Hex Jam 3/8-16 Unc |
| 29 | 138057 | Knob Inf 3/8-16 Unc Blk W/sym |
| 30 | 150233 | Trunnion Infin Height |
| 31 | 169865 | Bearing Pvt Lift |
| 32 | 73540600 | Nut Crownlock 3/8 - 24 |
| 36 | 155097 | Pointer Height Indicator |
| 37 | 123935X | Plug Hole Blk 1.485/1.515 Dia. |
| 38 | 17060516 | Screw Thdrol 5/16-18 x 1 |
| 40 | 19112410 | Washer 11/32 x 1-1/2 10 Ga. |
| 41 | 155098 | Indicator Height STLT |
| 49 | 145212 | Nut Hex Flange Lock |
| 50 | 110452X | Nut PUsh Phos & Oil |

NOTE: All component dimensions given in U.S. inches
1 inch = 25.4 mm