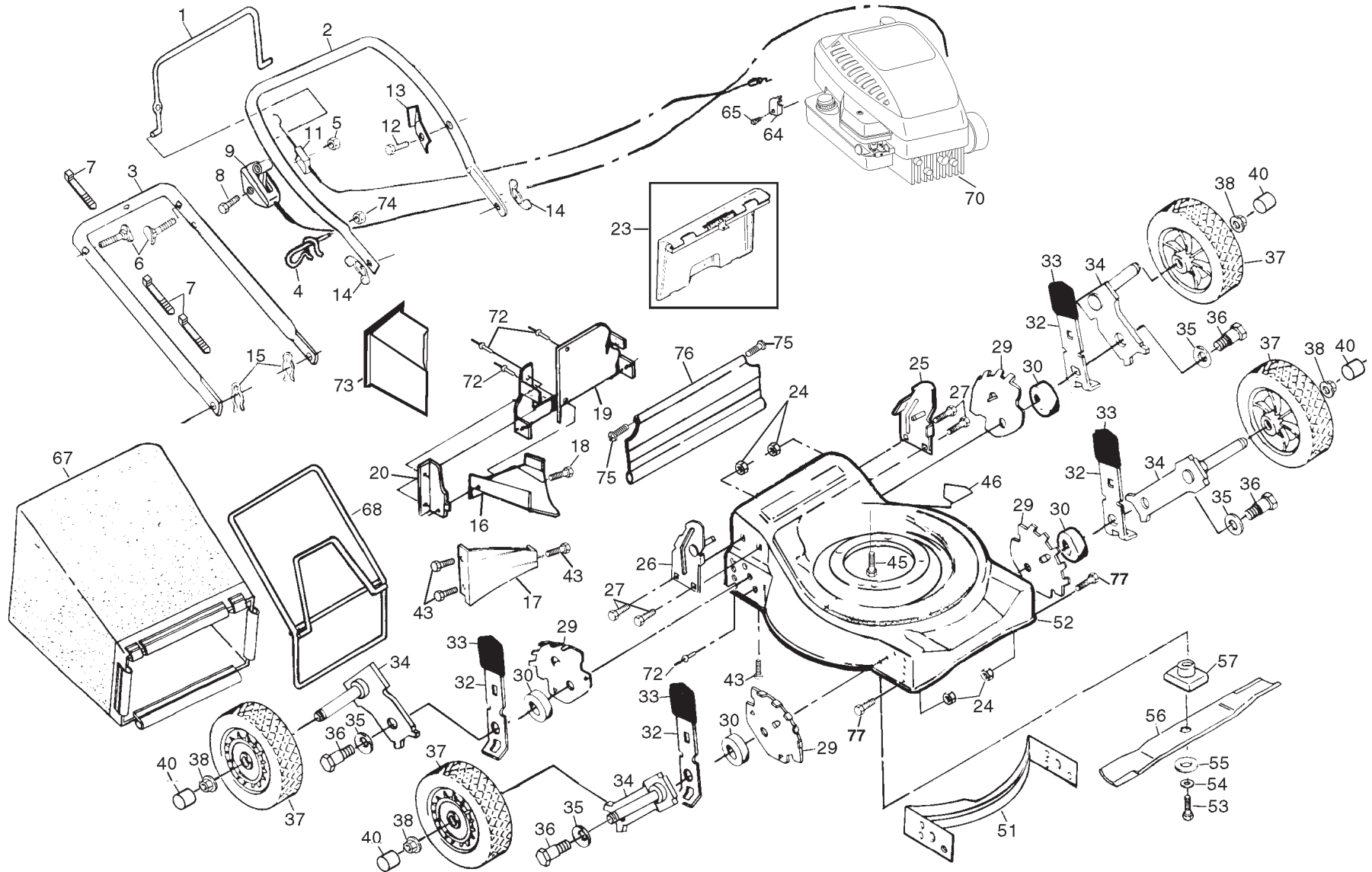


# ROTARY LAWN MOWER - - MODEL NUMBER W4QN20RD



## ROTARY LAWN MOWER - - MODEL NUMBER W4QN20RD

KEY NO.	PART NO.	DESCRIPTION
1	131696	Control Bar
2	166860X479	Upper Handle
3	151590X479	Lower Handle
4	179585	Rope Guide
5	132004	Locknut 1/4-20
6	131959	Handle Bolt
7	66426	Wire Tie
8	<b>183365</b>	Hex Washer Head Screw 1/4-20 x 2-1/8
9	700417	Throttle Control
11	130861	Engine Zone Control Cable
12	<b>750634</b>	Hex Washer Head Screw #10-24 x 1/2
13	850733X004	Up-Stop Bracket
14	128638	Wing Nut
15	51793	Hairpin Cotter
16	133188X479	Disc, Baffle
17	169207X479	Rear Baffle
18	150050	Screw
19	156445X479	Back Plate
20	700363X479	Side Baffle
23	147613	Kit, Rear Door Assembly
24	751592	Locknut 3/8-16
25	151589X479	Handle Bracket Assembly (Left)
26	151588X479	Handle Bracket Assembly (Right)
27	150078	Screw 5/16-18 x 3/4
29	750085X007	Wheel Adjusting Bracket
30	146630	Spacer
32	700331X004	Selector Spring
33	87877	Selector Knob
34	145935X004	Axle Arm Assembly
35	62335	Belleville Washer
36	142748	Shoulder Bolt 3/8-16
37	800220	Wheel Assembly
38	83923	Washer

KEY NO.	PART NO.	DESCRIPTION
40	800090	Hubcap
43	54583	Hex Tapping Screw 1/4-20 x 1/2
45	150406	Hex Head Thread Rolling Screw 3/8-16 x 1
46	107339X	Danger Decal
51	170540	Front Baffle
52	170631	Housing Assembly (Includes Key Number 46)
53	851084	Hex Head Screw 3/8-24 x 1-3/8 Grade 8
54	850263	Helical Lock Washer
55	851074	Hardened Washer
56	145106	20" Blade
57	850977	Blade Adapter
64	<b>111190X</b>	Cable Clamp
65	83816	Screw #10 x 5/8
67	158830	Grass Bag
68	149555	Frame, Grass Bag
70	---	Engine, Briggs & Stratton, Model No. 10A902 (Order parts from engine manufacturer)
72	128415	Pop Rivet
73	166650	Mulching Plug
74	<b>73800400</b>	Locknut
75	88652	Hinge Screw
76	140657	Rear Skirt
77	17600406	Screw 1/4 x 20
--	162300	Warning Decal (Not Shown)
--	172782	Operator's Manual, English
--	172783	Operator's Manual, French
--	<b>188550</b>	Replacement Parts Manual

Available accessories not included with mower:  
 -- MA36 Chute Deflector

**NOTE:** All component dimensions given in U.S. inches.  
 1 inch = 25.4 mm