

REPAIR PARTS MANUAL
MODEL NO. PO15538LT (96018000500)
Lawn Tractor

Poulan

HOW TO USE THIS MANUAL

This manual is designed to provide the customer with a means to identify the parts on his/her tractor when ordering repair parts. The illustrations may or may not represent the actual assemblies; therefore, it is not recommended to use this manual as a guide to assemble or disassemble the tractor. Some hardware and parts are drawn larger in order to more readily identify them.

Each tractor has its own model number.

The model number for your tractor can be found on the fender under the seat.

When ordering parts, always give the following information:

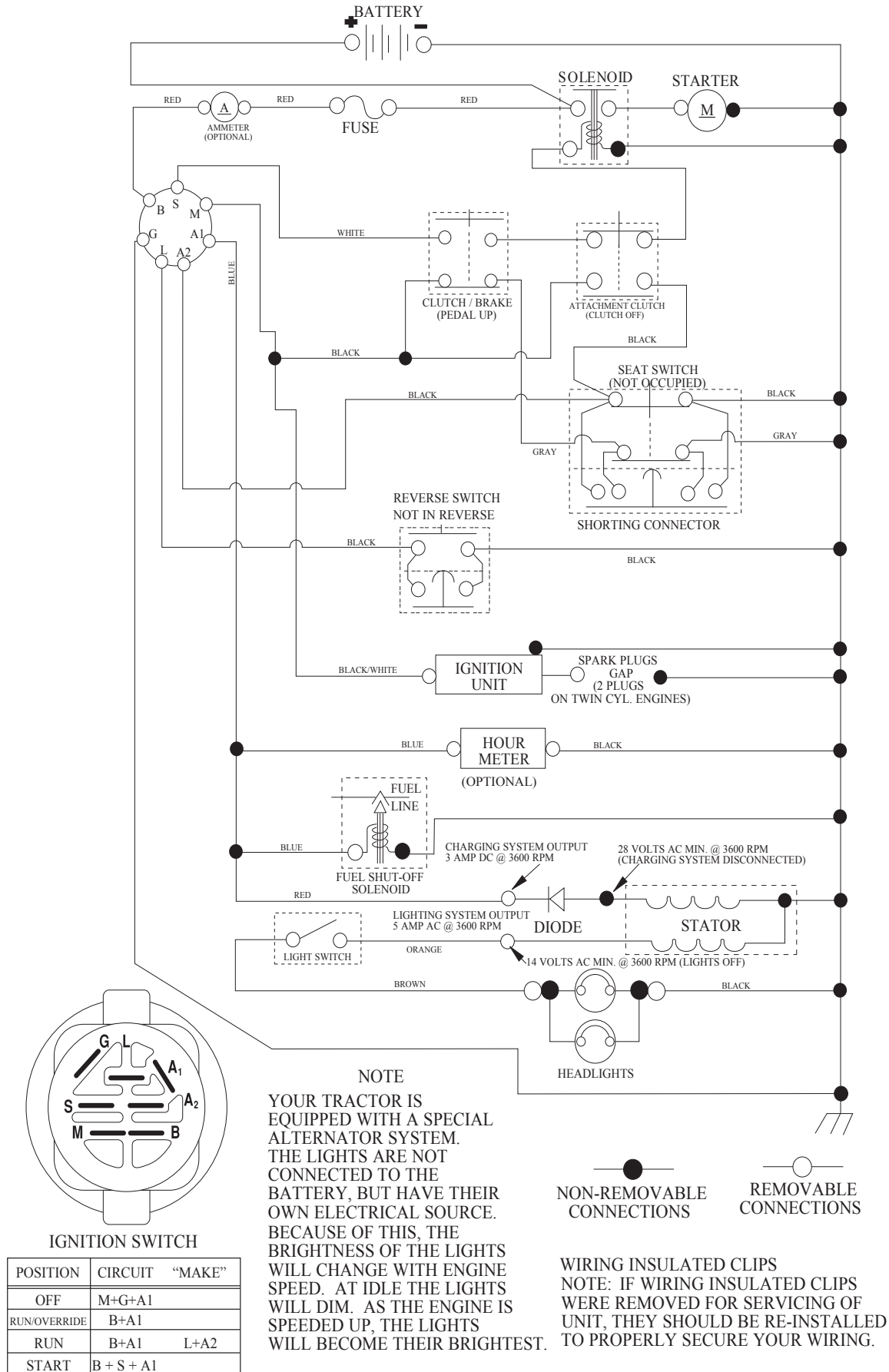
- Product - "Tractor"
- Model Number - "PO15538LT (96018000500)"
- Part Number
- Part Description

TABLE OF CONTENTS

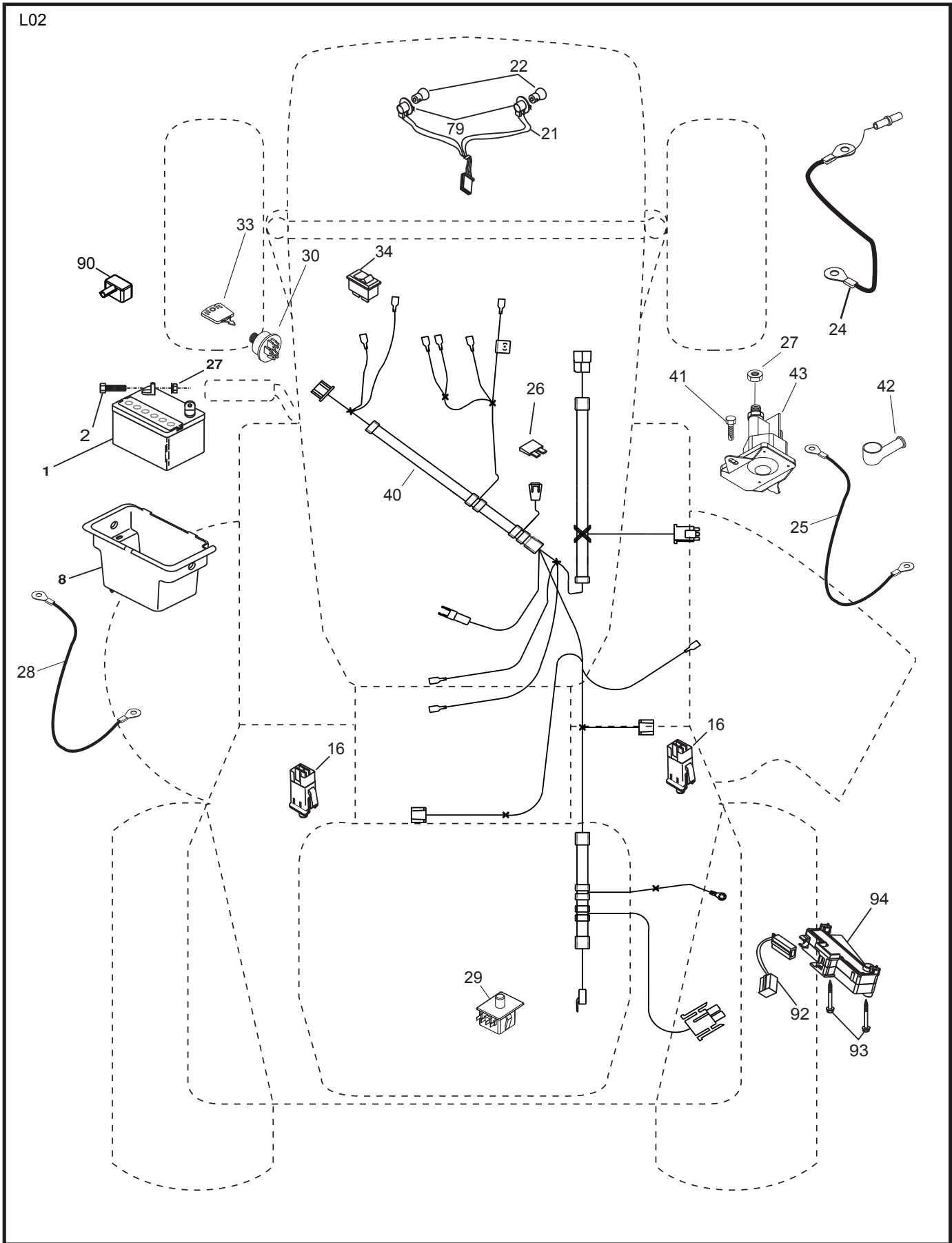
SCHEMATIC	3
ELECTRICAL.....	4-5
CHASSIS	6-7
DRIVE.....	8-9
STEERING	10-11
ENGINE.....	12-13
MOWER DECK	14-15
MOWER LIFT.....	16
SEAT	17
DECALS.....	18

TRACTOR - - MODEL NUMBER PO15538LT (96018000500), PRODUCT NO. 960 18 00-05 SCHEMATIC

SCH03



TRACTOR - - MODEL NUMBER PO15538LT (96018000500), PRODUCT NO. 960 18 00-05
ELECTRICAL

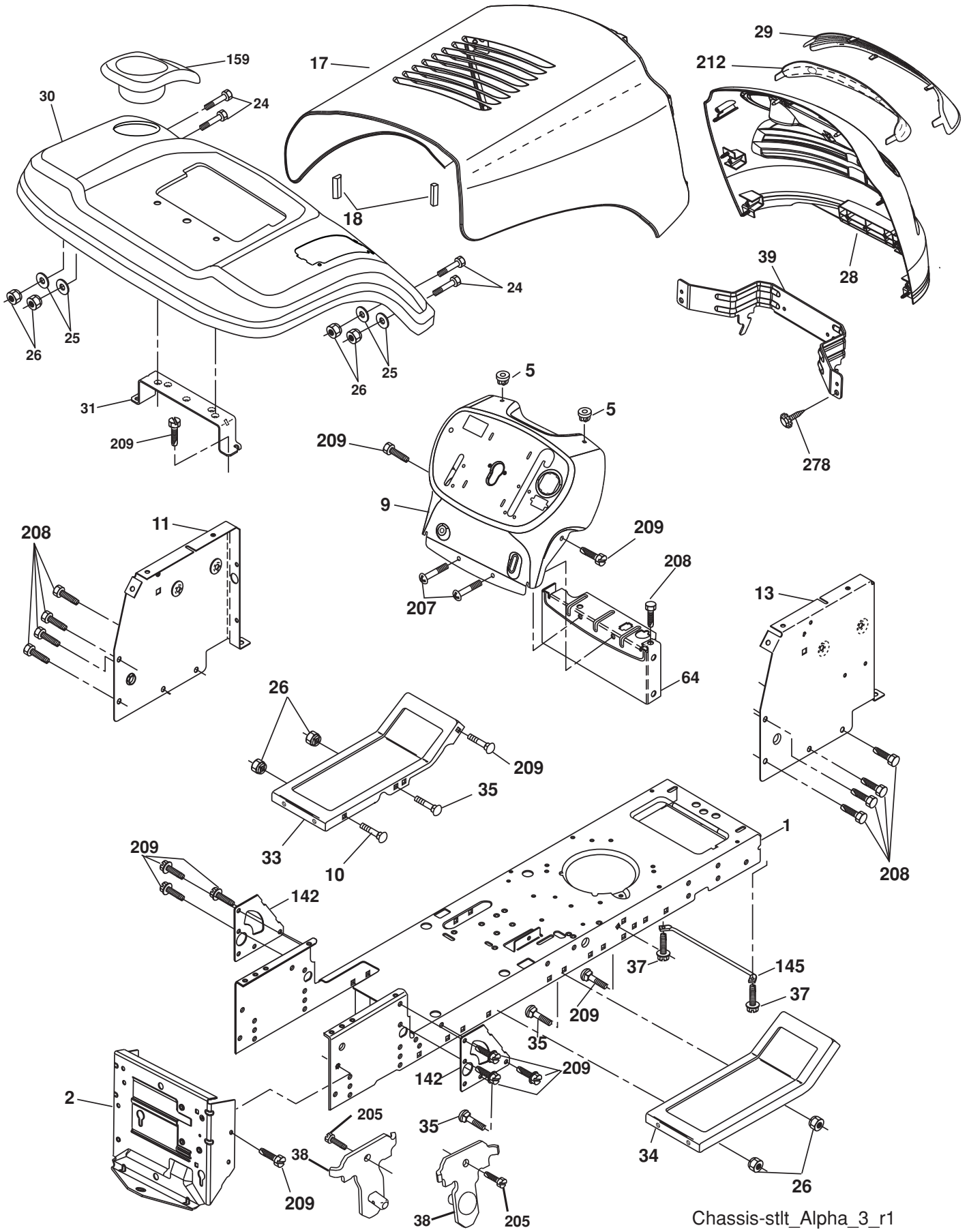


**TRACTOR - - MODEL NUMBER PO15538LT (96018000500), PRODUCT NO. 960 18 00-05
ELECTRICAL**

KEY NO.	PART NO.	DESCRIPTION
1	532 16 34-65	Battery 12 Volt 25 Amp
2	874 76 04-12	Bolt Hex Hd 1/4-20 unc x 3/4
8	532 17 66-89	Battery Box
16	532 17 61-38	Switch Interlock Push-In
21	532 17 56-88	Harness Asm. Light
22	532 00 41-52	Bulb Light
24	532 42 12-99	Cable Battery 6 Ga. 11" Red
25	532 42 12-97	Ground Rear Btry
26	532 17 51-58	Fuse
27	873 51 04-00	Nut Keps Hex 1/4-20 unc
28	532 42 12-98	Cable Ground 6 Ga. 12" Black
29	532 19 27-49	Switch Seat
30	532 19 33-50	Switch Ign
33	532 41 19-35	Key/Chain
34	532 11 07-12	Switch Light
40	532 19 74-28	Harness Ign
41	871 11 04-08	Bolt Blk Fin Hex 1/4-20
42	532 13 15-63	Cover Terminal Red
43	532 19 25-07	Solenoid
79	532 17 52-42	Socket Asm Bulb
90	532 43 53-95	Cover Terminal Battery
92	532 19 66-15	Harness Pigtail ROS
93	532 19 25-40	Screw Plastite 10-14 x 2.0
94	532 19 18-34	Module Reverse ROS

NOTE: All component dimensions given in U.S. inches
1 inch = 25.4 mm.

**TRACTOR - - MODEL NUMBER PO15538LT (96018000500), PRODUCT NO. 960 18 00-05
CHASSIS AND ENCLOSURES**



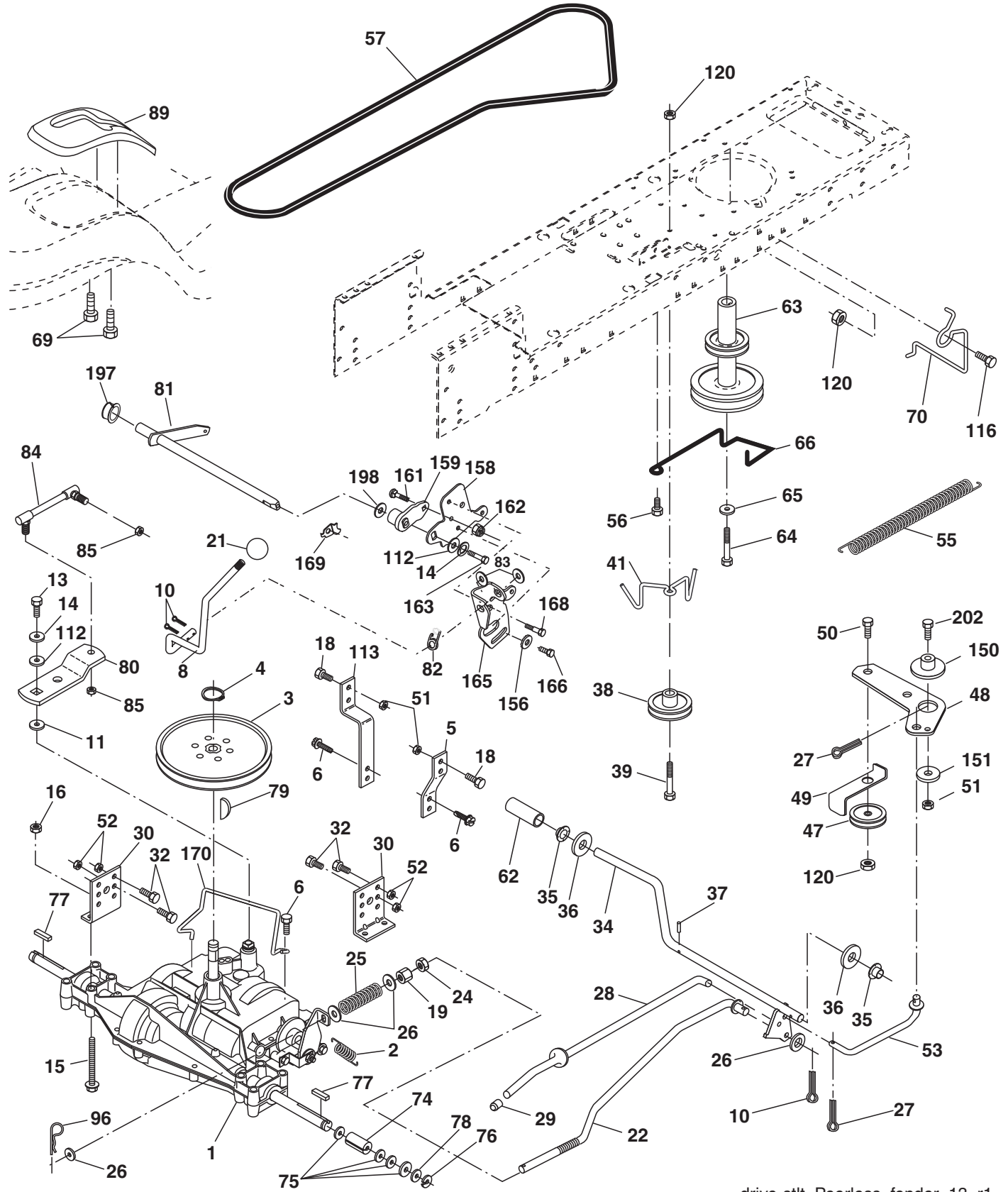
Chassis-stlt_Alpha_3_r1

**TRACTOR - - MODEL NUMBER PO15538LT (96018000500), PRODUCT NO. 960 18 00-05
CHASSIS AND ENCLOSURES**

KEY NO.	PART NO.	DESCRIPTION
1	532 17 46-19	Chassis
2	532 17 65-54	Drawbar
5	532 15 52-72	Bumper, Hood/Dash
9	532 43 33-53	Dash
10	872 14 06-08	Bolt, Carriage 3/8-16 x 1
11	532 17 49-96	Panel Dash LH
13	532 18 17-19	Panel Silkscr Dash RH
17	532 40 61-79	Hood
18	532 18 49-21	Bumper Hood
24	874 78 06-16	Bolt Fin Hex 3/8-16 unc x 1 Gr. 5
25	819 13 13-12	Washer 13/32 x 13/16 x 12 Ga.
26	873 80 06-00	Nut Lock Hex w/Ins 3/8-16 unc
28	532 42 67-41	Grille
29	532 19 54-02	Lens Bar
30	532 19 45-89	Fender
31	532 13 66-19	Bracket Fender Repl 109873x
33	532 18 25-07	Footrest Pnt LH
34	532 18 25-08	Footrest Pnt RH
35	872 11 06-06	Bolt Rdhd Sht Sqnk 3/8-16 x 3/4
37	817 49 05-08	Screw Thdrol 5/16-18 x 1/2 TYT
38	532 17 57-10	Bracket Asm. Pivot Mower Rear
39	532 18 75-68	Bracket Pivot
64	532 15 47-98	Dash Lower
142	532 17 57-02	Plate Reinforcement
145	532 40 91-67	Rod Pivot Chassis/Hood
159	532 18 56-35	Cupholder
205	817 49 06-08	Screw Thdrol 3/8-16 x 1/2
207	817 67 05-08	Screw Thdrol 5/16-18 x 1/2
208	817 67 06-08	Screw Thdrol 3/8-16 x 1/2
209	817 00 06-12	Screw Hex Wsh Thdrol 3/8-16
212	532 18 75-69	Insert Reflective
278	532 41 63-58	Screw #10 x 0.750 BOS Thread
--	532 00 54-79	Plug Button Blk 359 Dia Choke
--	532 18 78-01	Plug Dome Plasic (Choke Hole)

NOTE: All component dimensions given in U.S. inches
1 inch = 25.4 mm.

TRACTOR -- MODEL NUMBER PO15538LT (96018000500), PRODUCT NO. 960 18 00-05
DRIVE



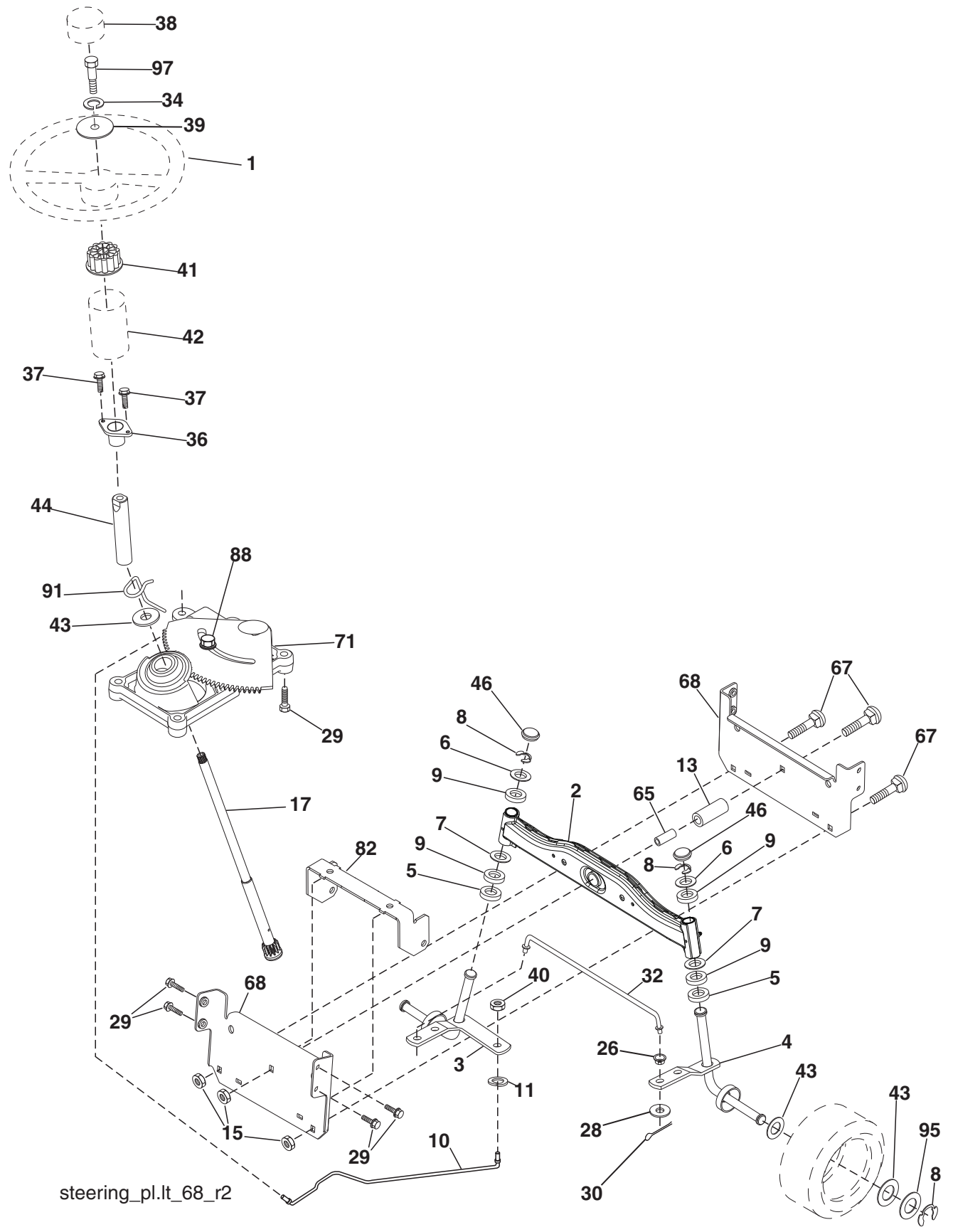
drive-stlt_Peerless_fender_13_r1

**TRACTOR - - MODEL NUMBER PO15538LT (96018000500), PRODUCT NO. 960 18 00-05
DRIVE**

KEY NO.	PART NO.	DESCRIPTION	KEY NO.	PART NO.	DESCRIPTION
1	-----	Transaxle Peerless 205-545C	64	532 17 39-37	Bolt Hex
2	532 14 66-82	Spring Return Brake T/a Zinc	65	810 04 07-00	Washer Lock Hvy Hlcl Spr 7/16
3	532 12 36-66	Pulley Transaxle 18" Tires	66	532 15 47-78	Keeper Belt Engine Foolproof
4	812 00 00-28	Ring Retainer # 5100-62	69	532 14 24-32	Screw Hex 1/4-1/2 unc
5	532 12 15-20	Strap Torque 30 Degrees	70	532 13 46-83	Guide Belt Mower Drive RH
6	817 06 05-12	Screw Thdrol 5/16-18 x 3/4	74	532 13 70-57	Spacer Axle
8	532 19 27-06	Rod Shift Fender Adjust Lt	75	532 12 17-49	Washer 25/32 x 1 1/4 x 16 Ga.
10	876 02 04-16	Pin Cotter 1/8 x 1 Cad	76	812 00 00-01	E-ring #5133-75
11	532 10 57-01	Washer Plate Shf 388 Sq Hole	77	532 12 35-83	Key Square 2 0 x 1845/1865
13	874 55 04-12	Bolt 1/4-28 unf Gr. 8 w/Patch	78	532 12 17-48	Washer 25/32 x 1-5/8 x 16 Ga.
14	810 04 04-00	Washer Lock Hvy Helical	79	532 12 50-96	Key Woodruff #9 3/16 x 3/4
15	874 49 05-40	Bolt 5/16-18 x 2-1/2 Gr. 5	80	532 13 14-86	Arm Shift
16	873 80 05-00	Nut Lock Hex w/Ins 5/16-18	81	532 16 55-94	Shaft Asm Cross 18" T
18	874 78 06-16	Bolt, Fin Hex 3/8-16 unc x 1 Gr. 5	82	532 16 57-11	Spring Torsion T/a
19	873 80 06-00	Nut Lock 3/8-16 unc	83	819 17 12-16	Washer 17/32 x 3/4 x 16 Ga.
21	532 10 69-33	Knob	84	532 16 62-28	Link Transaxle
22	532 13 08-04	Rod Brake Blk Zinc 26 840	85	532 15 03-60	Nut Lock Center 1/4-28 FNTHD
24	873 35 06-00	Nut Hex Jam 3/8-16 unc	89	532 19 49-71	Console Shift STLT
25	532 10 68-88	Spring Rod Brake 2 00 Zinc	96	532 12 47-88	Retainer Spring 1"
26	819 13 13-16	Washer 13/32 x 13/16 x 16 Ga.	112	819 09 12-10	Washer 9/32 x 3/4 x 10 Ga.
27	876 02 04-12	Pin Cotter 1/8 x 3/4 Cad	113	532 12 72-85	Strap Torque LT
28	532 17 57-65	Rod Brake Parking LT/YT	116	872 14 06-08	Bolt Rdhd Sq Neck 3/8-16 x 1.0
29	532 07 16-73	Cap Brake Parking Black	120	873 90 06-00	Nut Lock Flg. 3/8-16 unc
30	532 17 49-73	Bracket Mtg Transaxle	150	532 17 54-56	Spacer
32	874 76 05-12	Bolt Hex Hd 5/16-18 unc x 3/4	151	819 13 32-10	Washer 13/32 x 2 x 10 Ga.
34	532 17 55-78	Shaft Asm Pedal Foot	156	532 16 60-02	Washer Srrted 5/16 ID x 1.125
35	532 12 01-83	Bearing Nylon Blk 629 Id	158	532 16 55-89	Bracket Shift Mount
36	819 21 16-16	Washer 21/32 x 1 x 16 Ga.	159	532 18 39-00	Hub Shift
37	532 12 49-63	Pin Roll 3/16 x 1"	161	872 14 04-06	Bolt Rdhd Sqnk 1/4-20 x 3/4 Gr. 5
38	532 17 91-14	Pulley Idler Composite	162	873 68 04-00	Nut Crownlock 1/4-20 unc
39	872 11 06-22	Bolt Fin Hex 3/8-16 unc x 2-3/4 Gr. 5	163	874 78 04-16	Bolt Hex Fin 1/4-20 unc x 1 Gr. 5
41	532 17 55-56	Keeper Belt Idler Flat	165	532 16 56-23	Bracket Pivot Lever
47	532 12 77-83	Pulley Idler V Groove Plastic	166	817 49 05-10	Screw 5/16-18 x 5/8
48	532 15 44-07	Bellcrank Clutch Grnd Driv	168	532 16 54-92	Bolt Shoulder 5/16-18 x .561
49	532 12 32-05	Retainer Belt Style Spring	169	532 16 55-80	Plate Fastening Lt
50	872 11 06-12	Bolt 3/8-16 x 1-1/2 Gr. 5	170	532 18 74-14	Keeper, Belt T/A
51	873 68 06-00	Nut Crownlock 3/8-16 unc	197	532 16 96-13	Nyliner Snap-In
52	873 68 05-00	Nut Crownlock 5/16-18 unc	198	532 16 95-93	Washer Nyl
53	532 19 96-52	Link Clutch	202	872 11 06-14	Bolt Carr. SH 3/8-16 x 1-3/4 Gr. 5
55	532 10 57-09	Spring Return Clutch 6 75			
56	817 06 06-20	Screw 3/8-16 x 3/4			
57	532 13 82-55	V-Belt Ground Drive			
62	532 12 48-72	Cover Pedal Round			
63	532 17 54-10	Engine Pulley			

NOTE: All component dimensions given in U.S. inches
1 inch = 25.4 mm.

**TRACTOR - - MODEL NUMBER PO15538LT (96018000500), PRODUCT NO. 960 18 00-05
STEERING**

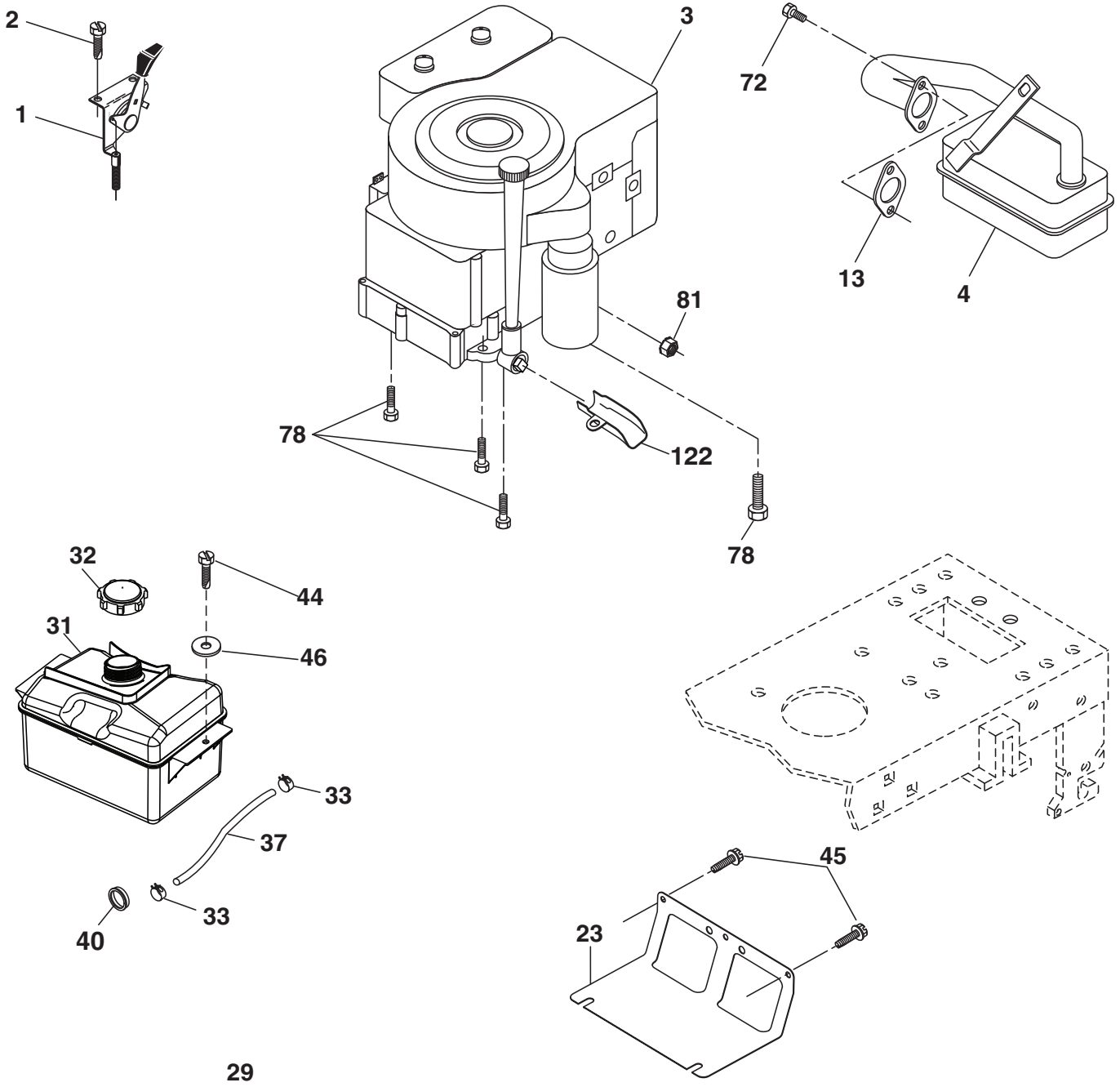


**TRACTOR - - MODEL NUMBER PO15538LT (96018000500), PRODUCT NO. 960 18 00-05
STEERING**

KEY NO.	PART NO.	DESCRIPTION
1	532 42 45-43	Wheel Steering
2	532 41 81-68	Axle Asm
3	532 16 98-40	Spindle Asm LH
4	532 16 98-39	Spindle Asm RH
5	532 12 49-31	Bearing Race Thrust Harden
6	532 12 17-48	Washer 25/32 x 1-5/8 x 16 Ga.
7	819 27 20-16	Washer 27/32 x 1-1/4 x 16 Ga.
8	812 00 00-29	Ring Klip #5304-75
9	532 12 49-37	Bearing Col Strg Blk
10	532 17 51-21	Link Drag
11	810 04 06-00	Washer Lock Hvy Hlcl Spr 3/8
13	532 13 65-18	Spacer earing Axle Front
15	873 90 06-00	Nut Lock 3/8-16 unc
17	532 41 13-86	Shaft Asm Strg
26	532 12 68-47	Bushing Link Drag Blk LR
28	819 13 14-16	Washer 13/32 x 7/8 x 16 Ga.
29	817 00 06-12	Screw 3/8-16 x 3/4
30	876 02 04-12	Pin Cotter 1/8 x 3/4 Cad
32	532 19 27-57	Rod Tie
34	810 04 05-00	Washer Lock Hvy Hlcl Spr. 5/16
36	532 15 50-99	Bushing Strg 5/8 Id Dash
37	532 15 29-27	Screw
38	532 42 46-91	Cap Wheel Steering
39	819 11 38-12	Washer 11/32 ID x 2-3/8OD 12 Ga.
40	873 54 06-00	Nut Crownlock 3/8-24
41	532 18 67-37	Adaptor Wheel Strg
42	532 16 96-33	Boot Steering
43	532 12 17-49	Washer 25/32 x 1 1/4 x 16 Ga.
44	532 19 07-52	Extension Steering
46	532 12 12-32	Cap Spindle Fr Top Blk
65	532 41 47-36	Spacer Brace Axle
67	872 11 06-18	Bolt RdHd Sqnk 3/8-16 x 2-1/4
68	532 16 98-27	Brace Axle
71	532 17 51-46	Steering Asm
82	532 19 99-78	Bracket Susp Chassis Front
88	532 17 51-18	Bolt shoulder 7/16-20
91	532 17 55-53	Clip Steering
95	532 18 89-67	Washer Hardened
97	532 42 89-82	Bolt Fin Hex 5/16-18 x 4 w/Patch

NOTE: All component dimensions given in U.S. inches
1 inch = 25.4 mm.

**TRACTOR - - MODEL NUMBER PO15538LT (96018000500), PRODUCT NO. 960 18 00-05
ENGINE**



OPTIONAL EQUIPMENT
Spark Arrester

engine-stlt_bs_16

**TRACTOR - - MODEL NUMBER PO15538LT (96018000500), PRODUCT NO. 960 18 00-05
ENGINE**

KEY NO.	PART NO.	DESCRIPTION
1	532 17 05-51	Control Throttle /Choke
2	817 72 04-08	Screw Hex Thd Cut 1/4-20 x 5/8 T
3	-----	Engine Briggs & Stratton Model 31A607-3496-G1
4	532 13 73-52	Muffler Exhaust
13	532 16 52-91	Gasket
23	532 16 98-37	Shield Browning/Debris Guard
29	532 13 71-80	Arrestor Spark
31	532 40 75-45	Tank Fuel
32	532 43 02-20	Cap Asm Fuel
33	532 12 34-87	Clamp Hose Blk
37	532 40 11-37	Line Fuel
40	532 12 40-28	Bushing Snap
44	817 67 04-12	Screw Hexwsh Thdrol 3/8-16 x 3/4
45	817 00 06-12	Screw 3/8-16 x 3/4
46	819 09 14-16	Washer 9/32 x 7/8 x 16 Ga.
72	532 19 23-34	Screw Socket HD 5/16-18 x .75
78	817 06 06-20	Screw 3/8-16 x 1-1/4
81	873 51 04-00	Nut Keps Hex 1/4-20 unc
122	532 42 19-22	Extension Drain Oil

NOTE: All component dimensions given in U.S. inches
1 inch = 25.4 mm.

Engine Power Rating Information

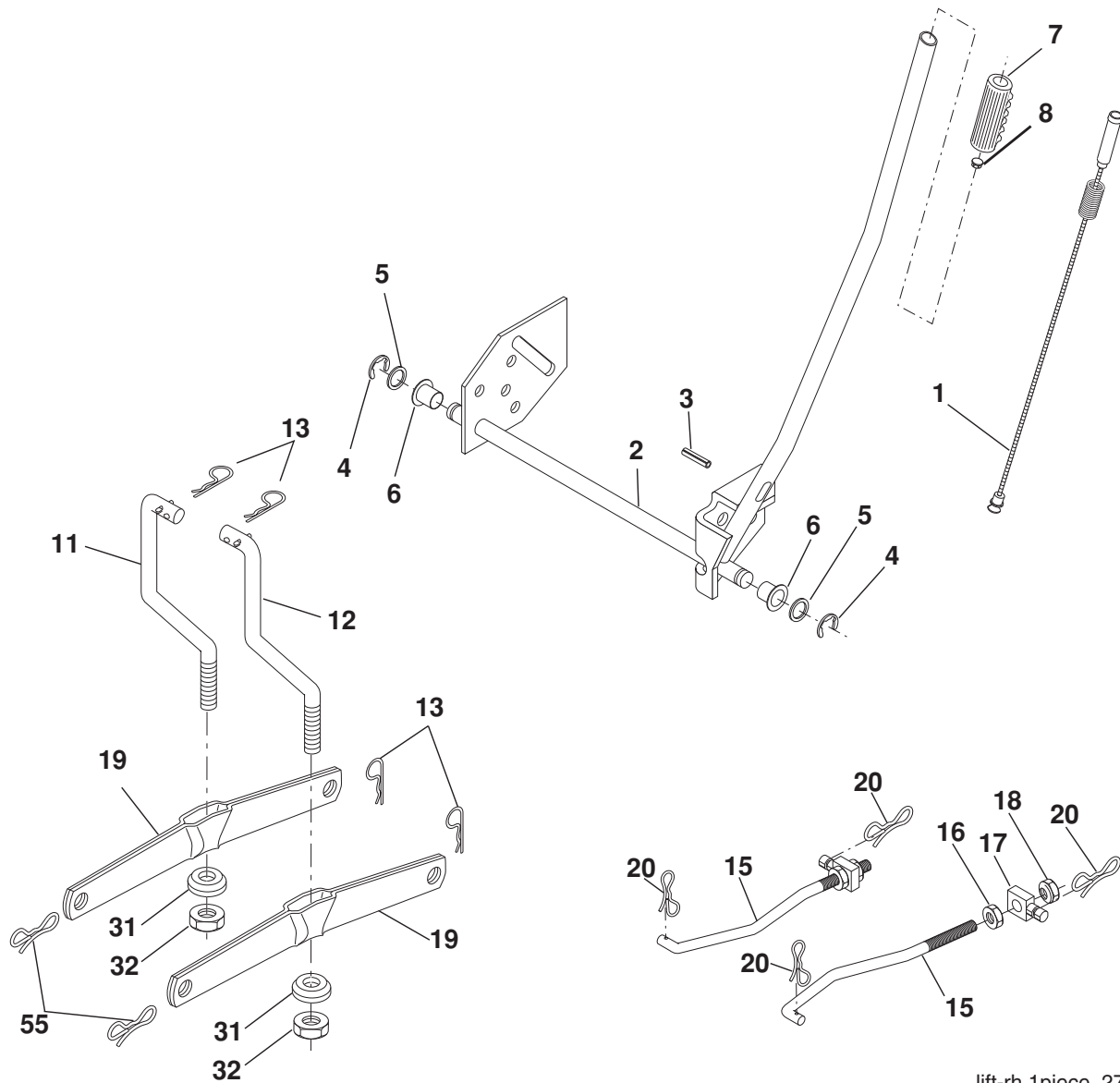
The gross power rating for individual gas engine models is labeled in accordance with SAE (Society of Automotive Engineers) code J1940 (Small Engine Power & Torque Rating Procedure), and rating performance has been obtained and corrected in accordance with SAE J1995 (Revision 2002-05). Torque values are derived at 3060 RPM; horsepower values are derived at 3600 RPM. Actual gross engine power will be lower and is affected by, among other things, ambient operating conditions and engine-to-engine variability. Given both the wide array of products on which engines are placed and the variety of environmental issues applicable to operating the equipment, the gas engine will not develop the rated gross power when used in a given piece of power equipment (actual “on-site” or net power). This difference is due to a variety of factors including, but not limited to, accessories (air cleaner, exhaust, charging, cooling, carburetor, fuel pump, etc.), application limitations, ambient operating conditions (temperature, humidity, altitude), and engine-to-engine variability. Due to manufacturing and capacity limitations, Briggs & Stratton may substitute an engine of higher rated power for this Series engine.

**TRACTOR - - MODEL NUMBER PO15538LT (96018000500), PRODUCT NO. 960 18 00-05
MOWER DECK**

KEY NO.	PART NO.	DESCRIPTION	KEY NO.	PART NO.	DESCRIPTION
1	532 19 25-56	Mower Housing Assembly	72	532 19 32-16	Spring Brake Return
2	872 14 05-06	Bolt Carriage 5/16-18 x 3/4	89	819 13 13-11	Washer 13/32 x 13/16 x 11 Ga.
3	532 13 80-17	Bracket Asm Fr. Sway Bar	107	532 13 35-02	Spacer Retainer
4	532 19 25-68	Bracket Deck Sway Bar 38"/42"	108	532 13 35-03	Stiffener, Idler Arm
5	532 12 46-70	Retainer Spring	122	532 41 01-89	Rod, Brake LH Link
6	532 17 80-24	Bar Sway Deck	123	532 41 01-90	Rod, Brake RH Link
7	873 80 05-00	Nut Lock Hex w/Ins 5/16-18 unc	144	532 19 34-14	Keeper Belt Idler Tension
8	532 19 30-03	Bolt 3/8-24 x 1.25 Gr. 8	148	532 16 90-22	Spring Return Idler
11	532 19 39-57	Blade Mower	149	532 16 58-98	Retainer Spring Yellow
13	532 19 28-72	Shaft Assembly, Mandrel, Vented	150	819 09 12-10	Washer 9/32 x 3/4 x 10 Ga.
14	532 18 72-81	Housing, Mandrel, Vented	152	532 19 32-35	Clutch Cable 38"/46"
15	532 11 04-85	Bearing, Ball, Mandrel	158	817 72 04-08	Screw Hex Thd Cut 1/4-20 x 1/2
18	872 14 05-05	Bolt Rdhd Sqnk 5/16-18 x 5/8	185	532 18 82-34	Head Asm Cable Clutch
19	532 13 28-27	Bolt, Shoulder	186	817 49 06-44	Screw Hex Wsh Thdrol 3/8-16x2-3/4
20	532 40 00-95	Baffle Vortex Front	187	532 19 34-12	Keeper Belt
21	873 68 05-00	Nut	188	532 16 58-91	Bolt Carriage Idler
23	532 19 25-57	Bracket, Mower Deflector	189	532 19 25-59	Stand, Brake
24	532 10 53-04	Cap, Sleeve	190	532 19 25-60	Arm, Brake
25	532 19 70-26	Spring, Torsion, Deflector	191	532 19 25-61	Spacer, Brake
26	532 11 04-52	Nut, Push	193	532 19 34-13	Keeper Belt RH Mandrel
27	532 19 39-68	Shield, Deflector	194	532 19 41-05	Guard Brake
29	532 13 14-91	Rod, Hinge	195	819 13 32-10	Washer
30	532 17 39-84	Screw Thdrol.	208	817 67 06-08	Screw 3/8-16 x 1/2
31	532 18 76-90	Washer, Spacer	214	532 19 37-82	Bolt/Washer Asm 5/16-18
32	532 15 35-32	Pulley, Mandrel	--	532 19 25-58	Brake Assembly (Includes Stand, Arm and Guard Components)
33	532 40 02-34	Nut, Toplock	--	532 19 28-70	Mandrel Assembly (Includes housing, shaft assembly, and bearing only - pulley/nut/washer and blade bolt/washers not included)
36	532 13 14-94	Pulley, Idler, Flat	--	532 43 26-48	Replacement Mower, Complete
37	532 19 31-98	Pulley Idler Flat			
40	873 68 06-00	Nut, Crownlock 3/8-16 unc			
45	532 12 47-88	Retainer			
55	532 13 38-40	Idler Arm Assembly			
56	532 16 57-23	Spacer, Retainer			
67	532 10 69-32	Knob			
68	532 19 32-14	V-Belt			

NOTE: All component dimensions given in U.S. inches
1 inch = 25.4 mm.

**TRACTOR - - MODEL NUMBER PO15538LT (96018000500), PRODUCT NO. 960 18 00-05
MOWER LIFT**



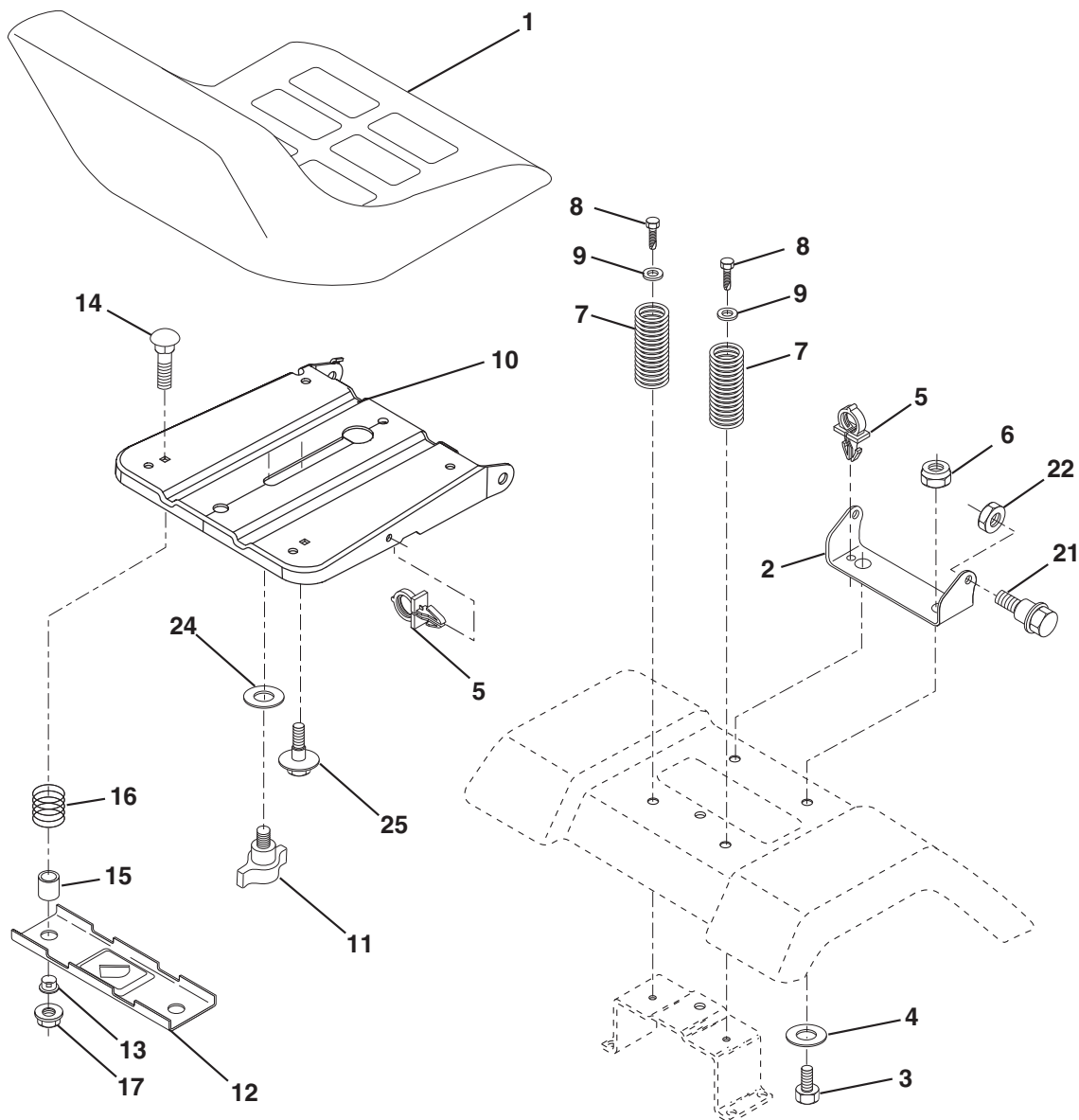
lift-rh.1piece_27

KEY NO.	PART NO.	DESCRIPTION
1	532 40 49-81	Plunger Asm. Lift Lever
2	532 15 94-71	Shaft Asm Lift RH
3	532 10 57-67	Pin Groove
4	812 00 00-02	E Ring #5133-62
5	819 21 16-21	Washer 21/32 x 1 x 21 Ga.
6	532 12 01-83	Bearing Nylon Blk 629 Id
7	532 10 94-13	Grip Handle
8	532 12 45-26	Button Plunger Black
11	532 13 98-65	Link Lift LH Fixed Length
12	532 13 98-66	Link Lift RH Fixed Length
13	532 12 46-70	Retainer Spring

KEY NO.	PART NO.	DESCRIPTION
15	532 17 32-88	Link Front
16	873 35 08-00	Nut Jam Hex 1/2-13 unc
17	532 17 56-89	Trunnion
18	873 80 08-00	Nut Lock w/Wsh 1/2-13 unc
19	532 13 98-68	Arm Suspension Rear
20	532 19 42-09	Pin Cotter 7/16 Bow Tie Lock
31	532 16 98-65	Bearing Pvt Lift
32	873 54 06-00	Nut Crownlock 3/8-24
55	532 19 42 08	Pin Cotter 5/16 Bowtie Lock

NOTE: All component dimensions given in U.S. inches
1 inch = 25.4 mm.

TRACTOR - - MODEL NUMBER PO15538LT (96018000500), PRODUCT NO. 960 18 00-05 SEAT



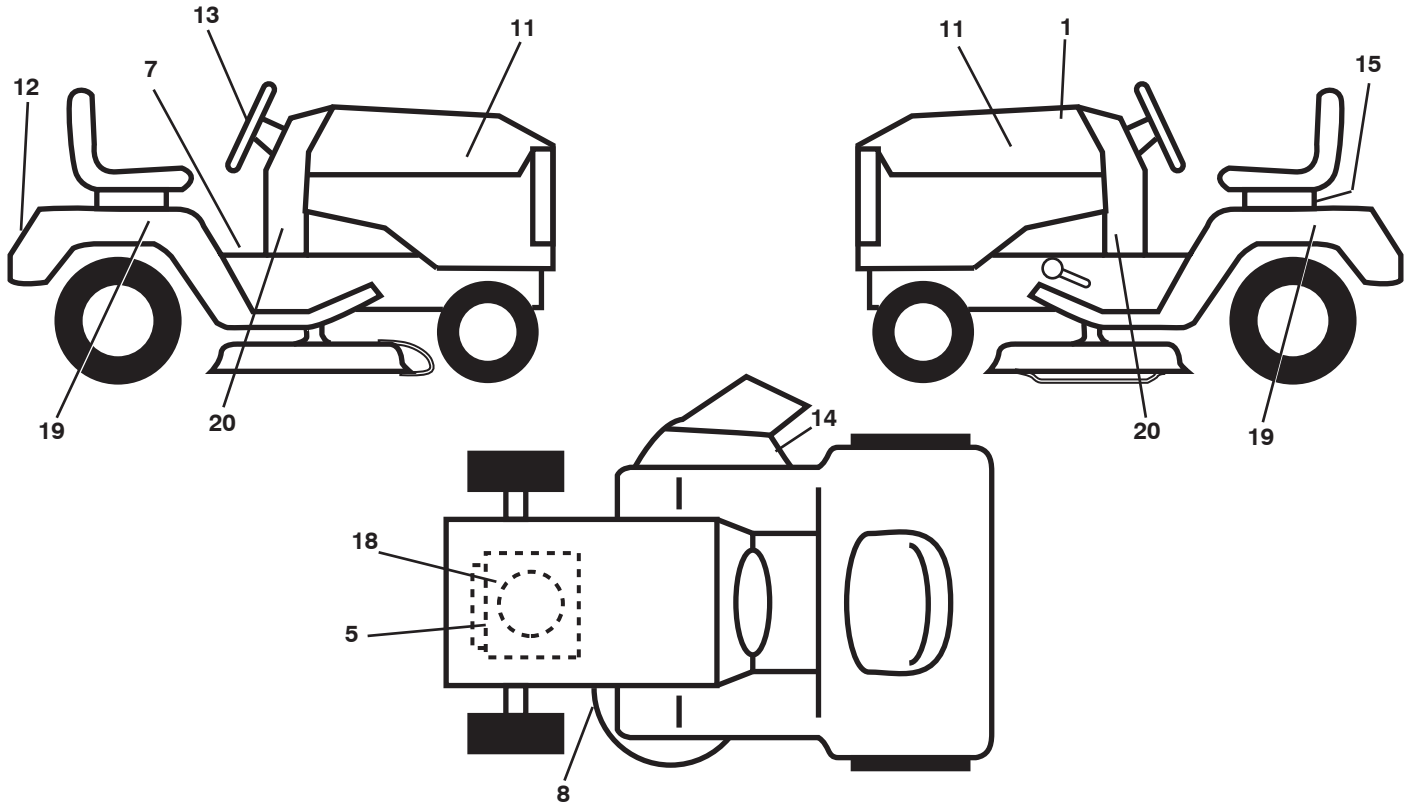
seat-stlt_knob_1

KEY NO.	PART NO.	DESCRIPTION
1	532 18 87-13	Seat
2	532 14 05-51	Bracket Seat Pivot
3	871 11 06-16	Bolt Hex 3/8 - 16 x 1
4	819 13 16-10	Washer 13/32 x 1 x 10 Ga.
5	532 14 50-06	Clip Push-In Hinged
6	873 80 06-00	Nut Lock Hex w/Ins 3/8 - 16
7	532 12 41-81	Spring Seat Cprsn 2 250 Blk Zi
8	817 00 06-16	Screw 3/8-16 x 1.5
9	819 13 16-14	Washer 13/32 x 1 x 14 Ga.
10	532 19 55-30	Pan Pnt Seat (Blk)
11	532 16 63-69	Knob Seat
12	532 17 46-48	Bracket Pnt Mounting Switch

KEY NO.	PART NO.	DESCRIPTION
13	532 12 12-48	Bushing Snap Blk Nyl
14	872 05 04-12	Bolt Rdhd Sht Nk 1/4 - 20 x 1 -1/2
15	532 13 43-00	Spacer Split .28 x .96
16	532 12 12-50	Spring Cprsn
17	532 12 39-76	Nut Lock 1/4 Lge Flg
21	532 17 18-52	Bolt Shoulder 5/16-18 unc-2A
22	873 80 05-00	Nut Lock Hex w/Ins 5/16 - 18
24	819 17 19-12	Washer 17/32 x 1-3/16 x 12 Ga.
25	532 12 70-18	Bolt Shoulder 5/16-18 x .62

NOTE: All component dimensions given in U.S. inches
1 inch = 25.4 mm.

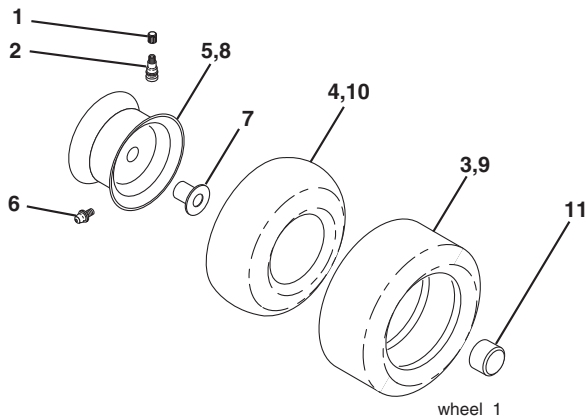
**TRACTOR - - MODEL NUMBER PO15538LT (96018000500), PRODUCT NO. 960 18 00-05
DECALS**



KEY NO.	PART NO.	DESCRIPTION
1	532 43 88-03	Decal Replacement
5	532 43 10-90	Decal, Eng. HP
7	532 41 16-58	Decal, Warning
8	532 19 43-02	Decal, V-Belt Sch.
11	532 43 19-83	Decal, Hood RH/LH
12	532 43 19-86	Decal, Fender
13	532 43 19-82	Decal, Wheel Strg.
14	532 17 05-63	Decal, Defl. Warning
15	532 14 50-05	Decal, Caution, Battery

KEY NO.	PART NO.	DESCRIPTION
18	532 43 52-86	Decal, Engine
19	532 43 19-85	Decal, Fender
20	532 43 38-10	Decal, Dash Lower
--	532 13 83-11	Decal, Handle Lft Height Adj.
--	532 18 10-90	Pad Footrest RH
--	532 18 10-91	Pad Footrest LH
--	532 43 88-96	Manual, Operator's, English/French
--	532 43 88-97	Manual, Parts

WHEELS & TIRES



KEY NO.	PART NO.	DESCRIPTION
1	532 05 91-92	Cap, Tire Valve
2	532 06 51-39	Stem, Valve
3	532 10 62-22	Tire, Front
4	532 05 99-04	Tube, Front (Service item only)
5	532 18 33-37	Rim Assembly, 6" Front
6	532 12 49-57	Fitting, Grease (Front wheel only)
7	532 12 49-59	Bearing, Flange (Front wheel only)
8	532 18 33-38	Rim Assembly, 8" Rear
9	532 12 46-35	Tire, Rear
10	532 12 49-26	Tube, Rear (Service item only)
11	532 17 50-39	Cap, Hub Axle
--	532 14 43-34	Sealant, Tire (10 oz. Tube)

NOTE: All component dimensions given in U.S. inches
1 inch = 25.4 mm.

SERVICE NOTES
