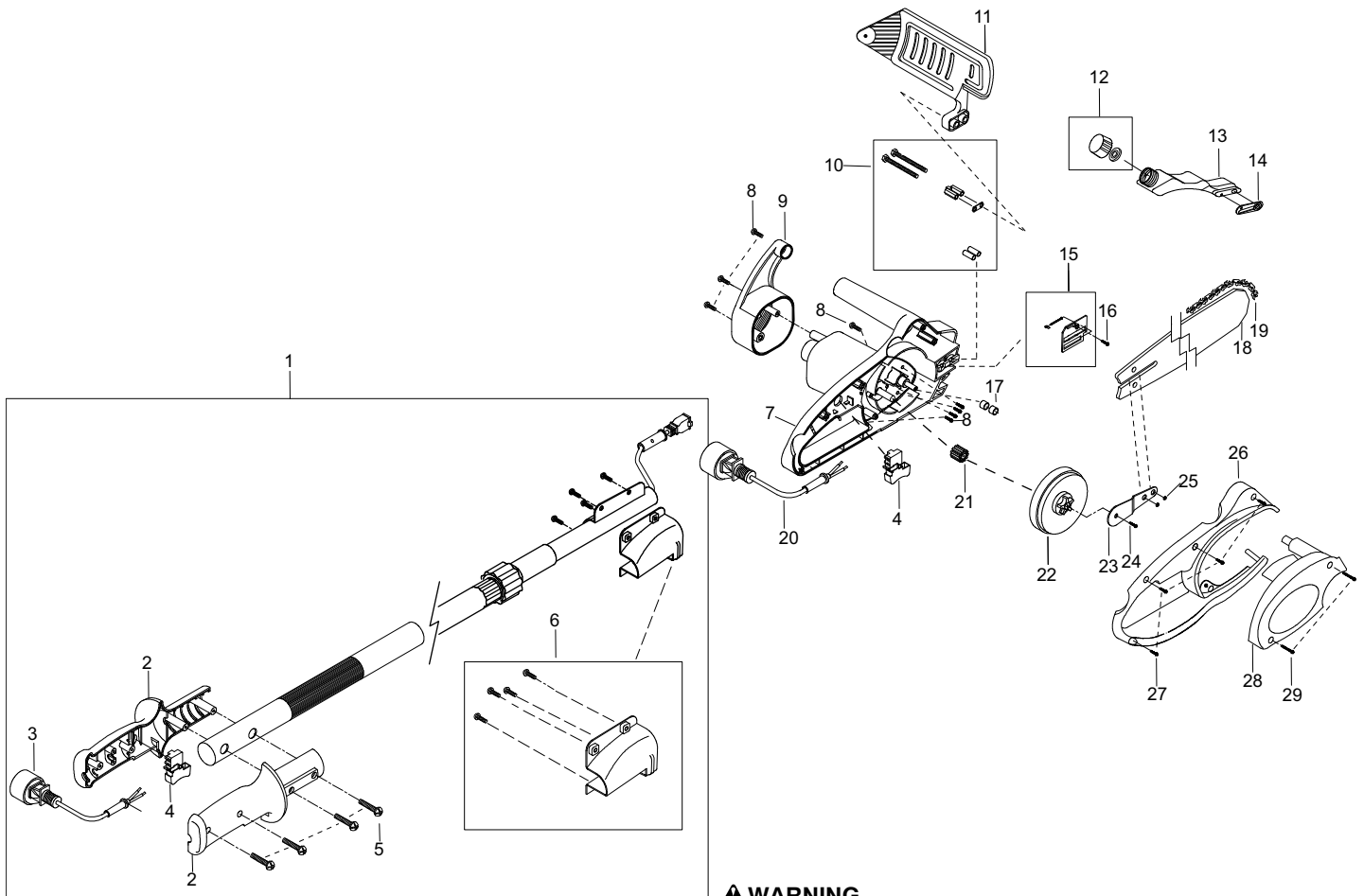


<b>Parts List No.</b> 952802360		<b>Poulan® PARTS LIST</b>	<b>MODEL</b> PLN 1510
<b>Date</b> 06/01/10	<b>REPLACEMENT OF</b> 4/27/10		<b>NOTE :</b> Illustration may differ from actual model due to design changes.



**⚠ WARNING**

All repairs, adjustments and maintenance not described in the Operator's Manual must be performed by Qualified Service Personnel.

Ref.	Part No.	Description	Ref.	Part No.	Description
1.	576187001	Kit - Pole / Handle (Incl. 2,3,4,5,6)	19.	966051401	Accy. - Chain - 10"
2.	576896101	Kit - Handle Assembly	20.	574401501	Cord - Power
3.	574401501	Cord - Power	21.	574399301	Gear - Motor
4.	574401401	Lockout Switch	22.	576896901	Gear - Sprocket
5.	576896201	Screw	23.	574399101	Support - Sprocket
6.	576187201	Kit - Clamp Assembly	24.	574399001	Screw
7.	576896401	Assy. - Motor/Housing	25.	574398901	Nut
8.	574399401	Screw	26.	574398801	Housing - Right
9.	574402101	Cover - Rear	27.	576897101	Screw
10.	576187401	Kit - Bar Bolt Hardware	28.	576897201	Assy. - Left Case
11.	576187501	Handguard - Front	29.	574398701	Screw
12.	574404101	Kit - Oil Cap	<b>Not Shown</b>		
13.	576896501	Tank - Oil	115367626	Manual	
14.	576896601	Pad - Anti-Spillage			
15.	574409801	Kit - Bar Adjusting			
16.	574401001	Screw			
17.	576896801	Roller Bearing			
18.	966051101	Accy. - Bar - 10"			

✓ = New Part Number For This IPL

★ = Refer to the Service Reference Indicated for more information.(Located at the END of the IPL)