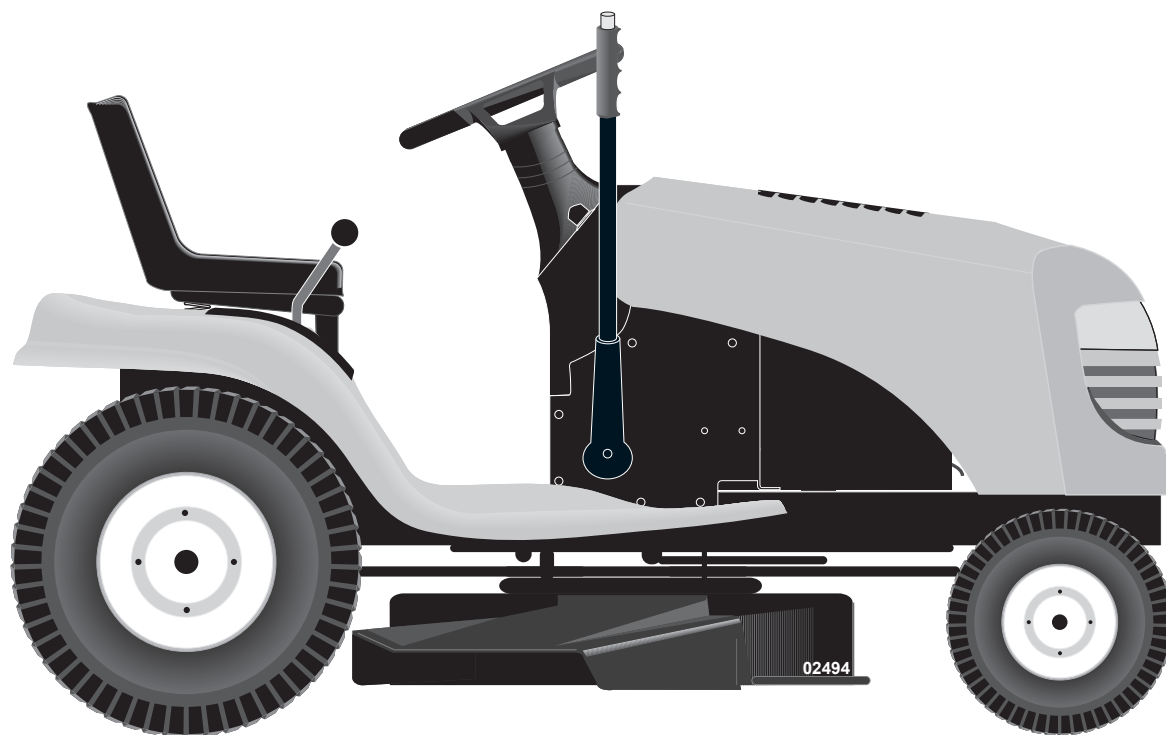


IMPORTANT MANUAL

DO NOT THROW AWAY

Poulan



REPAIR PARTS MANUAL

MODEL:

PO12538LT

LAWN TRACTOR

ALWAYS WEAR EYE PROTECTION DURING OPERATION

Visit our website: www.poulan.com



WARNING:

Read this Manual and follow all Warnings and Safety Instructions. Failure to do so can result in serious injury.

532 44 66-60

11.23.11 BD
Printed in the U.S.A.

HOW TO USE THIS MANUAL

This manual is designed to provide the customer with a means to identify the parts on his/her tractor when ordering repair parts. The illustrations may or may not represent the actual assemblies; therefore, it is not recommended to use this manual as a guide to assemble or disassemble the tractor. Some hardware and parts are drawn larger in order to more readily identify them.

Each tractor has its own model number.

The model number for your tractor can be found on the fender under the seat.

When ordering parts, always give the following information:

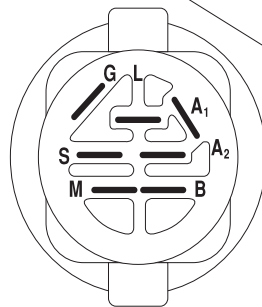
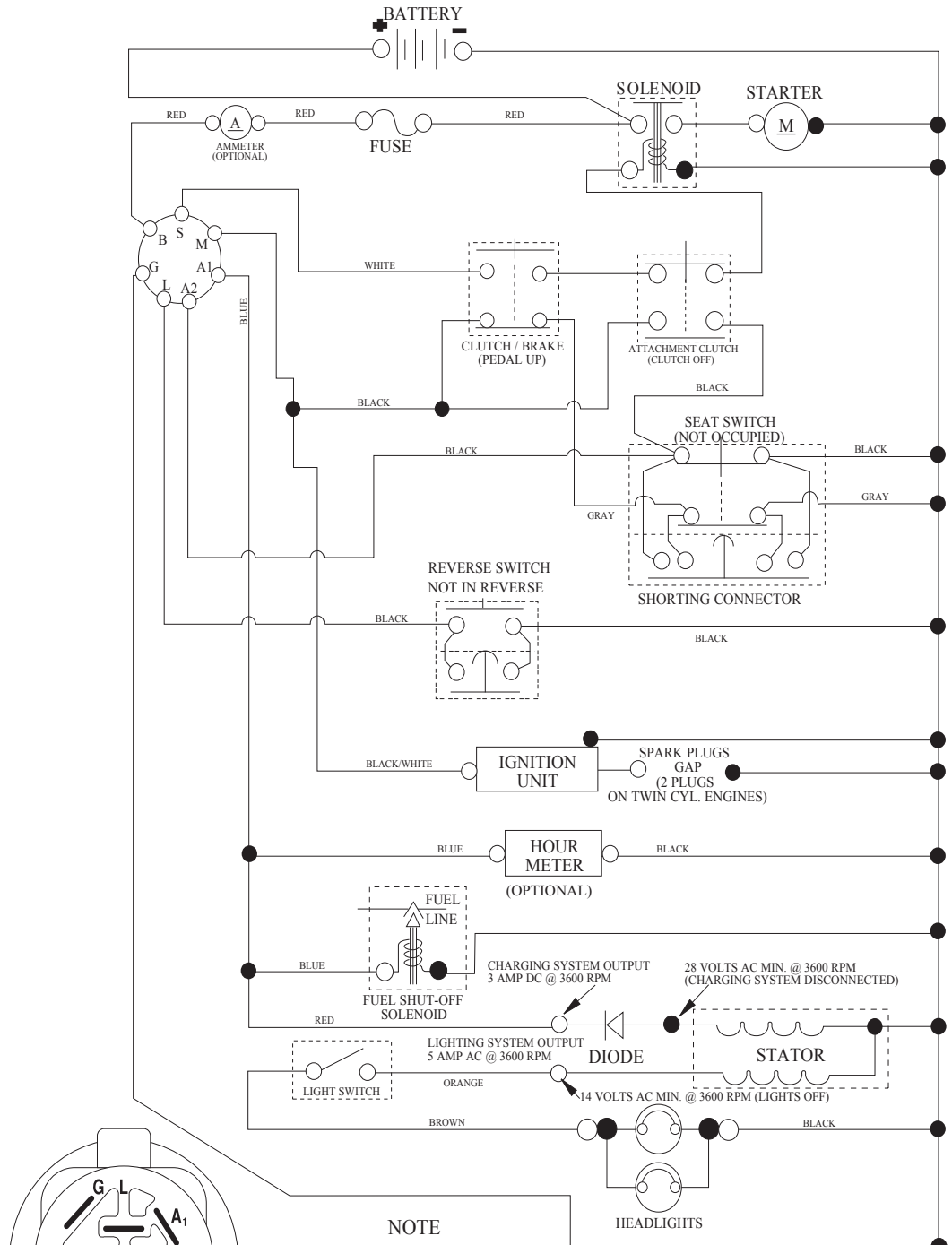
- Product - "TRACTOR"
- MODEL NUMBER - "PO12538LT (96018000600)"
- Part Number
- Part Description

TABLE OF CONTENTS

SCHEMATIC	3
ELECTRICAL.....	4-5
CHASSIS	6-7
DRIVE.....	8-9
ENGINE.....	10-11
STEERING	12-13
SEAT	14
MOWER LIFT.....	15
MOWER DECK	16-17
DECALS.....	18
WARRANTY.....	19
PARTS AND SERVICE	20

TRACTOR - MODEL NUMBER PO12538LT (96018000600), PRODUCT NO. 960 18 00-06 SCHEMATIC

SCH03



IGNITION SWITCH

POSITION	CIRCUIT "MAKE"
OFF	M+G+A1
RUN/OVERRIDE	B+A1
RUN	B+A1 L+A2
START	B + S + A1

NOTE

YOUR TRACTOR IS EQUIPPED WITH A SPECIAL ALTERNATOR SYSTEM. THE LIGHTS ARE NOT CONNECTED TO THE BATTERY, BUT HAVE THEIR OWN ELECTRICAL SOURCE. BECAUSE OF THIS, THE BRIGHTNESS OF THE LIGHTS WILL CHANGE WITH ENGINE SPEED. AT IDLE THE LIGHTS WILL DIM. AS THE ENGINE IS SPEEDED UP, THE LIGHTS WILL BECOME THEIR BRIGHTEST.

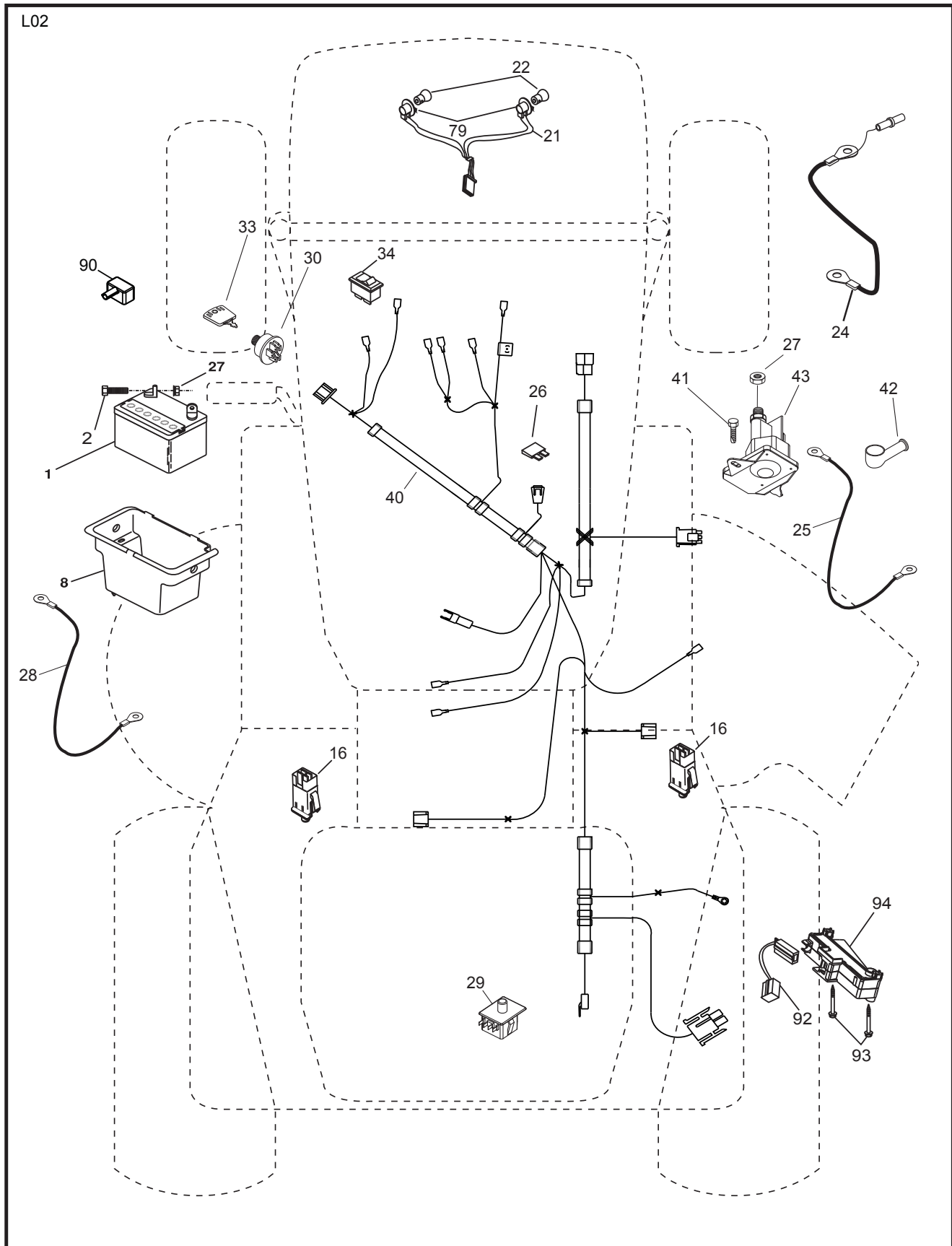


WIRING INSULATED CLIPS
NOTE: IF WIRING INSULATED CLIPS WERE REMOVED FOR SERVICING OF UNIT, THEY SHOULD BE RE-INSTALLED TO PROPERLY SECURE YOUR WIRING.

REPAIR PARTS

TRACTOR - MODEL NUMBER PO12538LT (96018000600), PRODUCT NO. 960 18 00-06

ELECTRICAL



REPAIR PARTS

TRACTOR - MODEL NUMBER PO12538LT (96018000600), PRODUCT NO. 960 18 00-06
ELECTRICAL

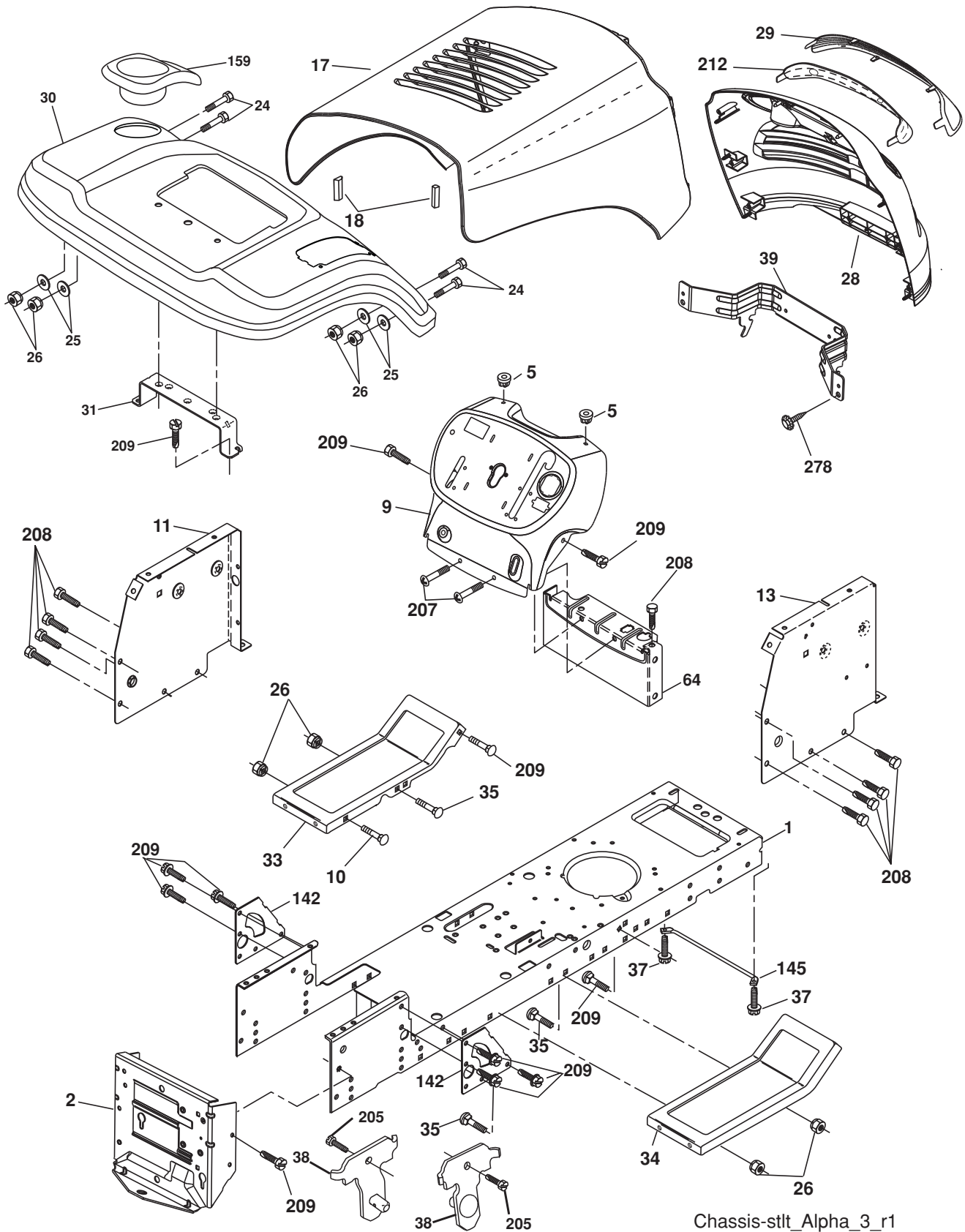
KEY NO.	PART NO.	DESCRIPTION
1	532 16 34-65	Battery
2	874 76 04-12	Bolt Hex Hd 1/4-20 unc x 3/4
8	532 17 66-89	Box Battery
16	532 17 61-38	Switch Interlock
21	532 17 56-88	Harness Asm Light w/4152j
22	532 00 41-52	Bulb Light #1156
24	532 42 12-97	Cable Battery
25	532 42 12-99	Cable Battery 6 Ga. 11" Red
26	532 17 51-58	Fuse 20 AMP
27	873 51 04-00	Nut Keps Hex 1/4-20 unc
28	532 42 12-98	Cable Ground 6 Ga. 12" Black
29	532 19 27-49	Switch Seat
30	532 19 33-50	Switch Ign
33	532 41 19-35	Key/Chain
34	532 11 07-12	Switch Light/Reset
40	532 19 74-28	Harness Ign
41	871 11 04-08	Bolt Blk Fin Hex 1/4-20
42	532 13 15-63	Cover Terminal Red
43	532 19 25-07	Solenoid
79	532 17 52-42	Socket Asm. Bulb Twistlock
90	532 43 53-95	Cover Terminal Battery
92	532 19 66-15	Harness Pigtail
93	532 19 25-40	Screw Plastite 10-14 x 2.0
94	532 19 18-34	Module Reverse ROS

NOTE: All component dimensions given in U.S. inches
1 inch = 25.4 mm.

REPAIR PARTS

TRACTOR - MODEL NUMBER PO12538LT (96018000600), PRODUCT NO. 960 18 00-06

CHASSIS



Chassis-stlt_Alpha_3_r1

REPAIR PARTS

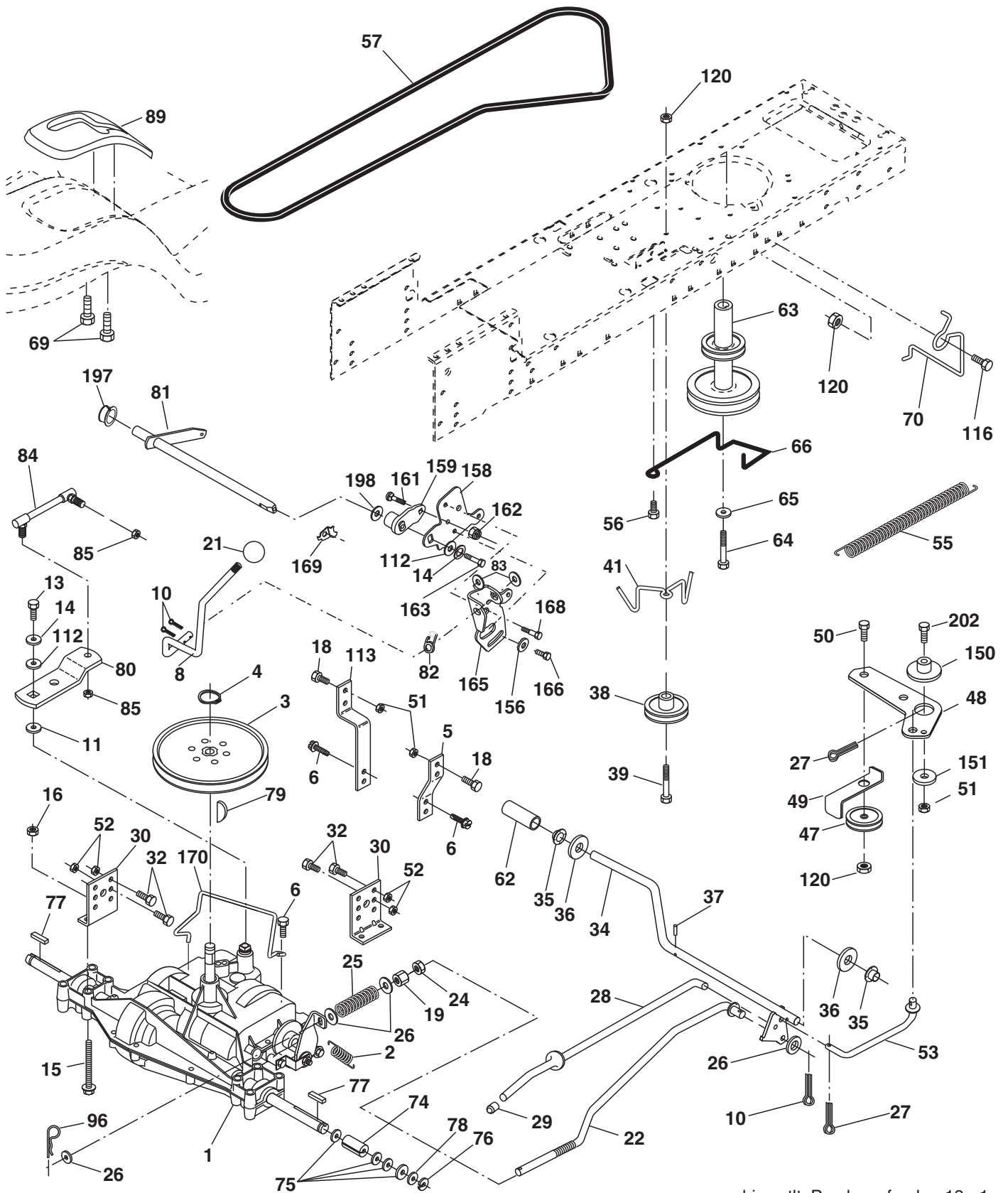
TRACTOR - MODEL NUMBER PO12538LT (96018000600), PRODUCT NO. 960 18 00-06
CHASSIS

KEY NO.	PART NO.	DESCRIPTION
1	532 17 46-19	Chassis
2	532 17 65-54	Drawbar, Stretch
5	532 15 52-72	Bumper, Hood/Dash
9	532 42 83-94	Dash
10	872 14 06-08	Bolt, Carriage 3/8-16 x 1
11	532 17 49-96	Panel Dash LH
13	532 17 21-05	Panel Silkscr Dash RH
17	532 40 61-79	Hood
18	532 18 49-21	Bumper Hood
24	874 78 06-16	Bolt Fin Hex 3/8-16 unc x 1 Gr. 5
25	819 13 13-12	Washer 13/32 x 13/16 x 12 Ga.
26	873 80 06-00	Nut Lock Hex w/Ins 3/8-16 unc
28	532 42 67-41	Grille
29	532 19 54-02	Lens Grille Bar
30	532 19 45-89	Fender
31	532 13 66-19	Bracket Fender
33	532 18 25-07	Footrest Pnt LH
34	532 18 25-08	Footrest Pnt RH
35	872 11 06-06	Bolt Rdhd Sht Sqnk 3/8-16 x 3/4
37	817 49 05-08	Screw Thdrol 5/16-18 x 1/2 TYT
38	532 17 57-10	Bracket Asm. Pivot Mower
39	532 18 75-68	Bracket Pivot
64	532 15 47-98	Dash Lower
142	532 17 57-02	Plate Reinforcement
145	532 40 91-67	Rod Pivot Chassis/Hood
159	532 18 56-35	Cupholder
205	817 49 06-08	Screw Thdrol 3/8-16 x 1/2
207	817 67 05-08	Screw 5/16-18 x 1/2
208	817 67 06-08	Screw Thdrol 3/8-16 x 1/2
209	817 00 06-12	Screw Hex Wsh Thdrol 3/8-16
212	532 18 75-69	Insert Lens Reflect
278	532 41 63-58	Screw #10 x 0.750 BOS Thread
--	532 00 54-79	Plug Button Blk 359 Dia Choke
--	532 18 78-01	Plug Dome Plastic

NOTE: All component dimensions given in U.S. inches
1 inch = 25.4 mm.

REPAIR PARTS

TRACTOR - MODEL NUMBER PO12538LT (96018000600), PRODUCT NO. 960 18 00-06
DRIVE



drive-stlt_Peerless_fender_13_r1

REPAIR PARTS

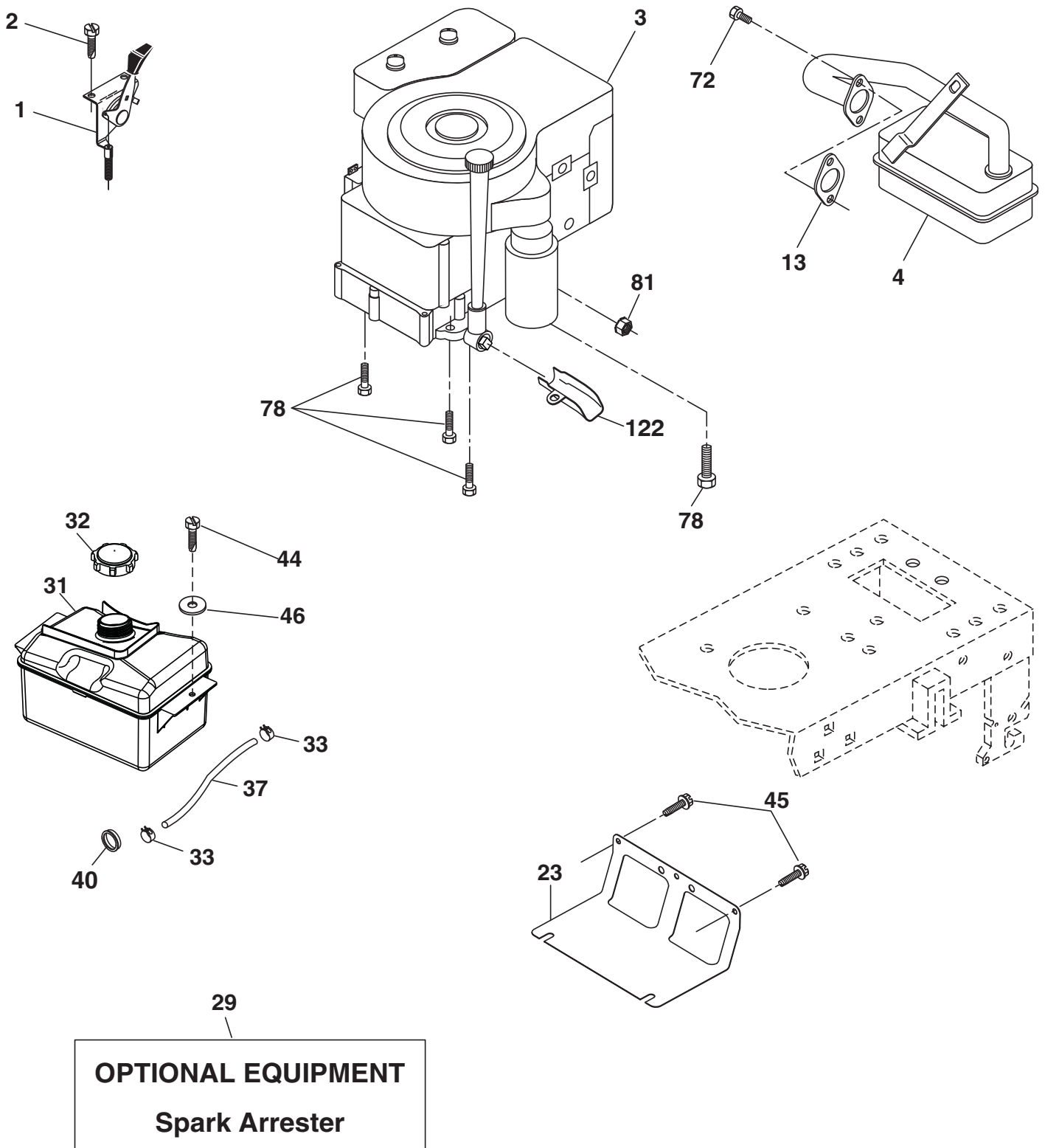
TRACTOR - MODEL NUMBER PO12538LT (96018000600), PRODUCT NO. 960 18 00-06
DRIVE

KEY NO.	PART NO.	DESCRIPTION	KEY NO.	PART NO.	DESCRIPTION
1	---	Transaxle Peerless 206-545C (165670) (Order parts from transaxle manufacturer)	63	532 17 54-10	Engine Pulley
2	532 14 66-82	Spring Return Brake T/a Zinc	64	532 17 39-37	Bolt Hex
3	532 12 36-66	Pulley Transaxle 18" Tires	65	810 04 07-00	Washer Lock Hvy Hlcl Spr 7/16
4	812 00 00-28	Ring Retainer # 5100-62	66	532 15 47-78	Keeper Belt Engine Foolproof
5	532 12 15-20	Strap Torque 30 Degrees	69	532 14 24-32	Screw Hex wsh HiLo 1/4 x 1/2 unc
6	817 06 05-12	Screw 5/16-18 x 3/4	70	532 13 46-83	Guide Belt Mower Drive RH
8	532 19 27-06	Rod Shift Fender Adjust Lt	74	532 13 70-57	Spacer Axle
10	876 02 04-16	Pin Cotter 1/8 x 1 Cad	75	532 12 17-49	Washer 25/32 x 1 1/4 x 16 Ga.
11	532 10 57-01	Washer Plate Shf 388 Sq Hole	76	812 00 00-01	E-ring #5133-75
13	874 55 04-12	Bolt 1/4-28 unF Gr. 8 w/Patch	77	532 12 35-83	Key Square 2 0 x 1845/ 1865
14	810 04 04-00	Washer Lock Hvy Helical	78	532 12 17-48	Washer 25/32 x 1-5/8 x 16 Ga.
15	874 49 05-40	Bolt Hex FLGHD 5/16-18 Gr. 5	79	532 12 50-96	Key Woodruff #9 3/16 x 3/4
16	873 80 05-00	Nut Lock Hex w/ins 5/16-18	80	532 13 14-86	Arm Shift
18	874 78 06-16	Bolt, Fin Hex 3/8-16 unc x 1 Gr. 5	81	532 16 55-94	Shaft Asm Cross Tapered PMST/20
19	873 80 06-00	Nut Lock 3/8-16 unc	82	532 16 57-11	Spring Torsion T/a
21	532 10 69-33	Knob	83	819 17 12-16	Washer 17/32 x 3/4 x 16 Ga.
22	532 13 08-04	Rod Brake Blk Zinc 26 840	84	532 16 62-28	Link Transaxle
24	873 35 06-00	Nut Hex Jam 3/8-16 unc	85	532 15 03-60	Nut Lock Center 1/4 - 28 FNTHD
25	532 10 68-88	Spring Rod Brake 2 00 Zinc	89	532 19 49-71	Console Shift STLT
26	819 13 13-16	Washer 13/32 x 13/16 x 16 Ga.	96	532 12 47-88	Retainer Spring 1"
27	876 02 04-12	Pin Cotter 1/8 x 3/4 Cad	112	819 09 12-10	Washer 9/32 x 3/4 x 10 Ga.
28	532 17 57-65	Rod Brake Parking LT/YT	113	532 12 72-85	Strap Torque LT
29	532 07 16-73	Cap Brake Parking	116	872 14 06-08	Bolt Rdhd Sq Neck 3/8-16 x 1
30	532 17 49-73	Bracket Mtg Transaxle	120	873 90 06-00	Nut Lock Flg. 3/8-16 unc
32	874 76 05-12	Bolt Hex Hd 5/16-18 unc x 3/4	150	532 17 54-56	Spacer Retainer
34	532 17 55-78	Shaft Asm Pedal Foot	151	819 13 32-10	Washer 13/32 x 2 x 10
35	532 12 01-83	Bearing Nylon Blk 629 Id	156	532 16 60-02	Washer Srrted 5/16ID x 1.125
36	819 21 16-16	Washer 21/32 x 1 x 16 Ga.	158	532 43 74-58	Bracket Shift Mount
37	532 12 49-63	Pin Roll 3/16 x 1"	159	532 18 39-00	Hub Tapered Flange Shift Lt
38	532 17 91-14	Pulley Composite Flat	161	872 14 04-06	Bolt Rdhd Sqnk 1/4-20 x 3/4
39	872 11 06-22	Bolt RDHD 3/8-16 unc x 2-3/4 Gr. 5	162	873 68 04-00	Nut Crownlock 1/4-20 unc
41	532 17 55-56	Keeper Belt Flat Idler	163	874 78 04-16	Bolt Hex Fin 1/4-20 unc x 1 Gr. 5
47	532 12 77-83	Pulley Idler V Groove Plastic	165	532 43 82-50	Bracket Pivot Lever
48	532 15 44-07	Bellcrank Asm	166	817 49 05-10	Screw 5/16-18 x 5/8
49	532 12 32-05	Retainer Belt Style Spring	168	532 16 54-92	Bolt Shoulder 5/16-18 x .561
50	872 11 06-12	Bolt Carr. Sh. 3/8-16 x 1-1/2 Gr. 5	169	532 16 55-80	Plate Fastening
51	873 68 06-00	Nut Crownlock 3/8-16 unc	170	532 18 74-14	Keeper Belt Transaxle Gear
52	873 68 05-00	Nut Crownlock 5/16-18 unc	197	532 16 96-13	Nyliner Snap-In
53	532 19 96-52	Link Clutch	198	532 16 95-93	Washer Nyliner
55	532 10 57-09	Spring Return Clutch 6 75	202	872 11 06-14	Bolt RdHd 3/8-16 unc x 1-3/4 Gr. 5
56	817 06 06-20	Screw 3/8-16 x 1-1/4			
57	532 13 82-55	V-Belt Ground Drive			
62	532 12 48-72	Cover Pedal Blk Round			

NOTE: All component dimensions given in U.S. inches
1 inch = 25.4 mm

REPAIR PARTS

TRACTOR - MODEL NUMBER PO12538LT (96018000600), PRODUCT NO. 960 18 00-06
ENGINE



engine-stlt_bs_16

REPAIR PARTS

TRACTOR - MODEL NUMBER PO12538LT (96018000600), PRODUCT NO. 960 18 00-06
ENGINE

KEY NO.	PART NO.	DESCRIPTION
1	532 17 05-51	Control Th/ch Flag
2	817 72 04-08	Screw Hex Thd Cut 1/4-20 x 1/2
3	---	Engine, B&S 219807-1515-G5 (438747) (Order parts from engine manufacturer)
4	532 17 97-58	Muffler Exhaust B&S
13	532 16 52-91	Gasket Eng 1 313 Id Tin Plated
23	532 16 98-37	Shield BRN/DBR Guard
29	532 13 71-80	Kit Spark Arrestor (Flat Scrn)
31	532 40 75-45	Tank Fuel Front
32	532 43 02-20	Cap Asm Fuel
33	532 12 34-87	Clamp Hose
37	532 40 11-37	Line Fuel
40	532 12 40-28	Bushing Snap Nyl Blk Fuel Line
44	817 67 04-12	Screw Thdrol 1/4-20 x 3/4
45	817 00 06-12	Screw Hex Wsh Thdrol 3/8-16
46	819 09 14-16	Washer 9/32 x 7/8 x 16 Ga.
72	532 19 23-34	Screw Socket Head 5/16-18 x 3/4
78	817 06 06-20	Screw 3/8-16 x 1-1/4
81	873 51 04-00	Nut Keps Hex 1/4-20 unc
122	532 42 19-22	Extension Drain Oil

NOTE: All component dimensions given in U.S. inches
1 inch = 25.4 mm

For engine service and replacement parts, call the toll free number for your engine manufacturer listed below:

Briggs & Stratton 1-800-233-3723

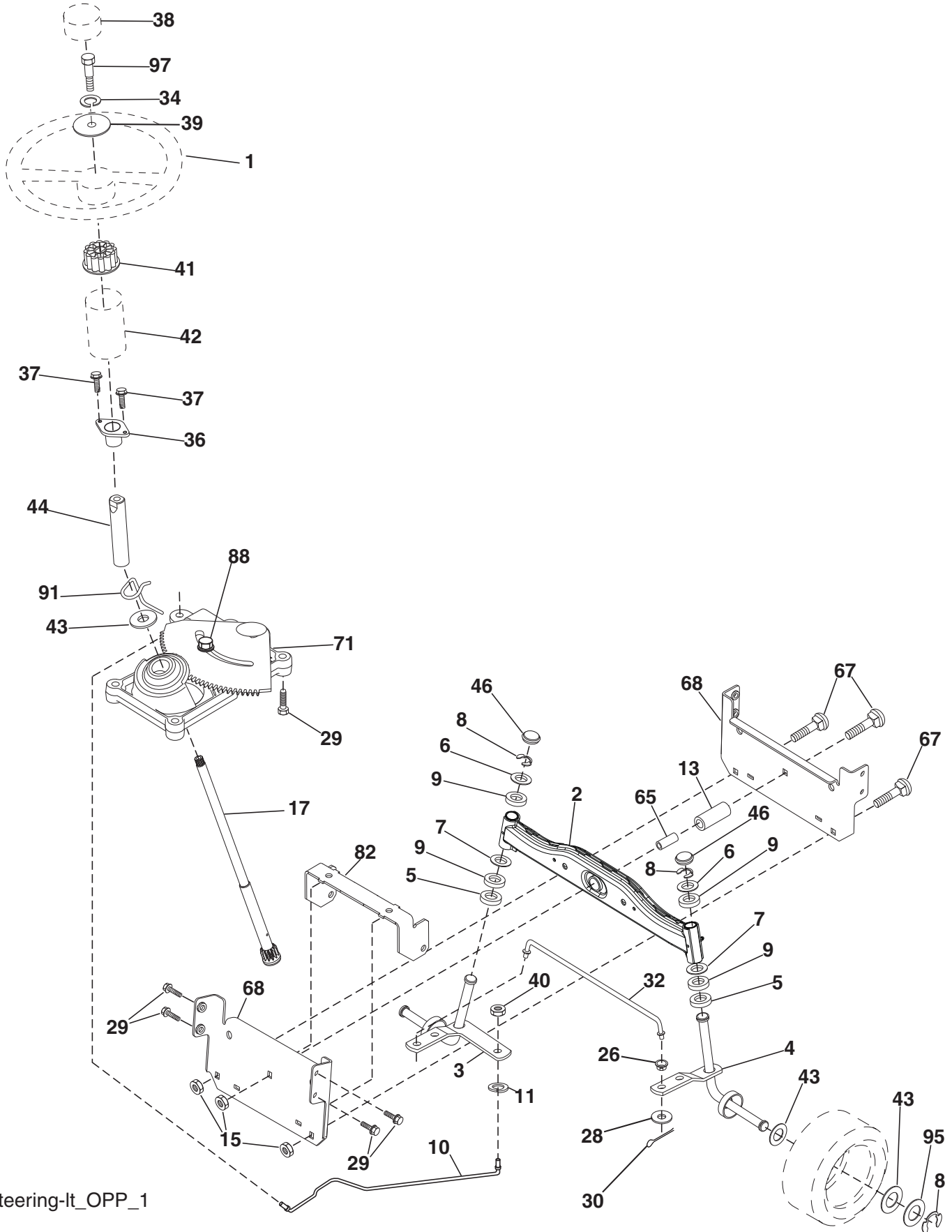
Engine Power Rating Information

The gross power rating for individual gas engine models is labeled in accordance with SAE (Society of Automotive Engineers) code J1940 (Small Engine Power & Torque Rating Procedure), and rating performance has been obtained and corrected in accordance with SAE J1995 (Revision 2002-05). Torque values are derived at 3060 RPM; horsepower values are derived at 3600 RPM. Actual gross engine power will be lower and is affected by, among other things, ambient operating conditions and engine-to-engine variability. Given both the wide array of products on which engines are placed and the variety of environmental issues applicable to operating the equipment, the gas engine will not develop the rated gross power when used in a given piece of power equipment (actual "on-site" or net power). This difference is due to a variety of factors including, but not limited to, accessories (air cleaner, exhaust, charging, cooling, carburetor, fuel pump, etc.), application limitations, ambient operating conditions (temperature, humidity, altitude), and engine-to-engine variability. Due to manufacturing and capacity limitations, Briggs & Stratton may substitute an engine of higher rated power for this Series engine.

REPAIR PARTS

TRACTOR - MODEL NUMBER PO12538LT (96018000600), PRODUCT NO. 960 18 00-06

STEERING



Steering-It_OPP_1

REPAIR PARTS

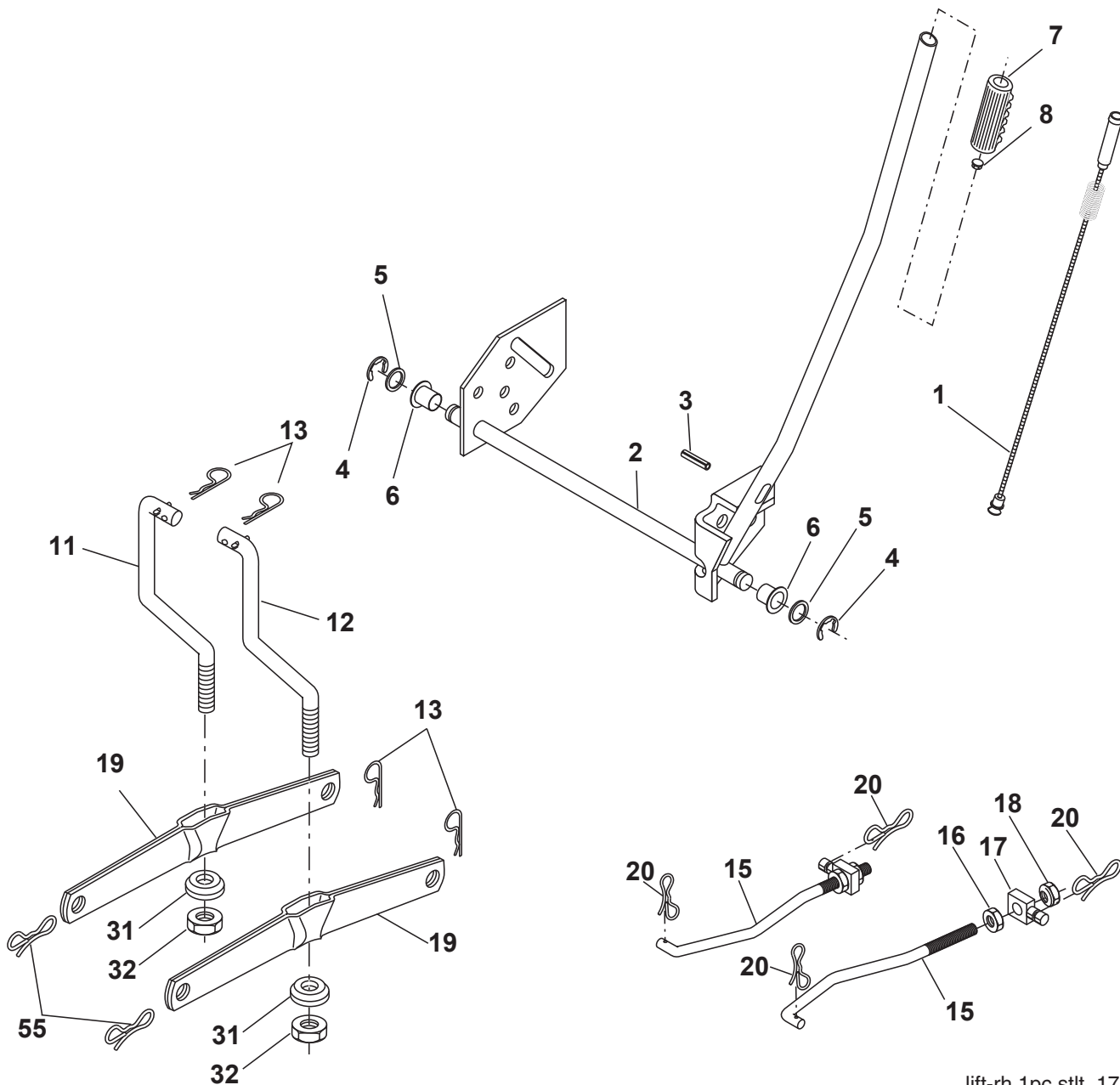
TRACTOR - MODEL NUMBER PO12538LT (96018000600), PRODUCT NO. 960 18 00-06
STEERING

KEY NO.	PART NO.	DESCRIPTION
1	532 42 45-43	Wheel Steering
2	532 41 81-68	Axle Asm
3	532 16 98-40	Spindle Asm LH
4	532 16 98-39	Spindle Asm RH
5	532 12 49-31	Bearing Race Thrust Harden
6	532 12 17-48	Washer 25/32 x 1-5/8 x 16 Ga.
7	819 27 20-16	Washer 27/32 x 1-1/4 x 16 Ga.
8	812 00 00-29	Ring Klip #t5304-75
9	532 12 49-37	Bearing Col Strg Blk
10	532 17 51-21	Link Drag
11	810 04 06-00	Washer Lock Hvy Hlcl Spr 3/8
13	532 13 65-18	Spacer Brace Axle
15	873 90 06-00	Lock Nut
17	532 41 13-86	Shaft Asm Strg
26	532 12 68-47	Bushing Link Drag Blk LR
28	819 13 14-16	Washer 13/32 x 7/8 x 16 Ga.
29	817 00 06-12	Screw 3/8-16 x 3/4
30	876 02 04-12	Pin Cotter 11/32 ID x 2 3/8 OD x 12 Ga.
32	532 19 27-57	Rod Tie Wire Form 19 75 Mech
34	810 04 05-00	Washer Lock 5/16
36	532 15 50-99	Bushing Strg 5/8 Id Dash
37	532 15 29-27	Screw
38	532 42 46-91	Cap Wheel Steer
39	819 11 38-12	Washer 11/32 x 2 3/8 OD x 12 Ga.
40	873 54 06-00	Nut Crownlock 3/8-24
41	532 18 67-37	Adaptor Wheel Strg
42	532 16 96-33	Boot Dash Mtl Steering Blk
43	532 12 17-49	Washer 25/32 x 1 1/4 x 16 Ga.
44	532 19 07-52	Extension Steering
46	532 12 12-32	Cap Spindle Fr Top Blk
65	532 41 47-36	Spacer Brace Axle
67	872 11 06-18	Bolt RDHD SQNK 3/8-16 x 2-1/4
68	532 16 98-27	Brace Axle
71	532 17 51-46	Steering Asm.
82	532 19 99-78	Bracket Susp Chassis Front
88	532 17 51-18	Bolt Shoulder 7/16-20
91	532 17 55-53	Clip Steering
95	532 18 89-67	Washer Harden .793 x 1.637 x 060
97	532 42 89-82	Bolt 5/16-18 x 4 w/patch

NOTE: All component dimensions given in U.S. inches
1 inch = 25.4 mm.

REPAIR PARTS

TRACTOR - MODEL NUMBER PO12538LT (96018000600), PRODUCT NO. 960 18 00-06
MOWER LIFT



lift-rh.1pc.stlt_17

KEY NO.	PART NO.	DESCRIPTION
1	532 40 49-81	Plunger Asm Lift Lever
2	532 15 94-71	Shaft Asm Lift RH
3	532 10 57-67	Pin Groove 1 500 Zinc
4	812 00 00-02	E Ring #5133-62
5	819 21 16-21	Washer 21/32 x 1 x 21 Ga.
6	532 12 01-83	Bearing Nylon Blk 629 Id
7	532 10 94-13	Grip Handle
8	532 12 45-26	Button Plunger Black
11	532 13 98-65	Link Lift LH Fixed Length
12	532 13 98-66	Link Lift RH Fixed Length
13	532 12 46-70	Retainer Spring
15	532 17 32-88	Link Front

KEY NO.	PART NO.	DESCRIPTION
16	873 35 08-00	Nut Jam Hex 1/2-13 unc
17	532 17 56-89	Trunnion
18	873 80 08-00	Nut Lock w/Wsh 1/2-13 unc
19	532 13 98-68	Arm Suspension Rear
20	532 19 42-09	Pin Cotter 7/16 Bow Tie Lock
31	532 16 98-65	Bearing Pvt Lift
32	873 54 06-00	Nut Crownlock 3/8-24
55	532 19 42-08	Pin Cotter 5/16 Bowtie Lock

NOTE: All component dimensions given in U.S. inches
1 inch = 25.4 mm.

REPAIR PARTS

TRACTOR - MODEL NUMBER PO12538LT (96018000600), PRODUCT NO. 960 18 00-06
MOWER DECK

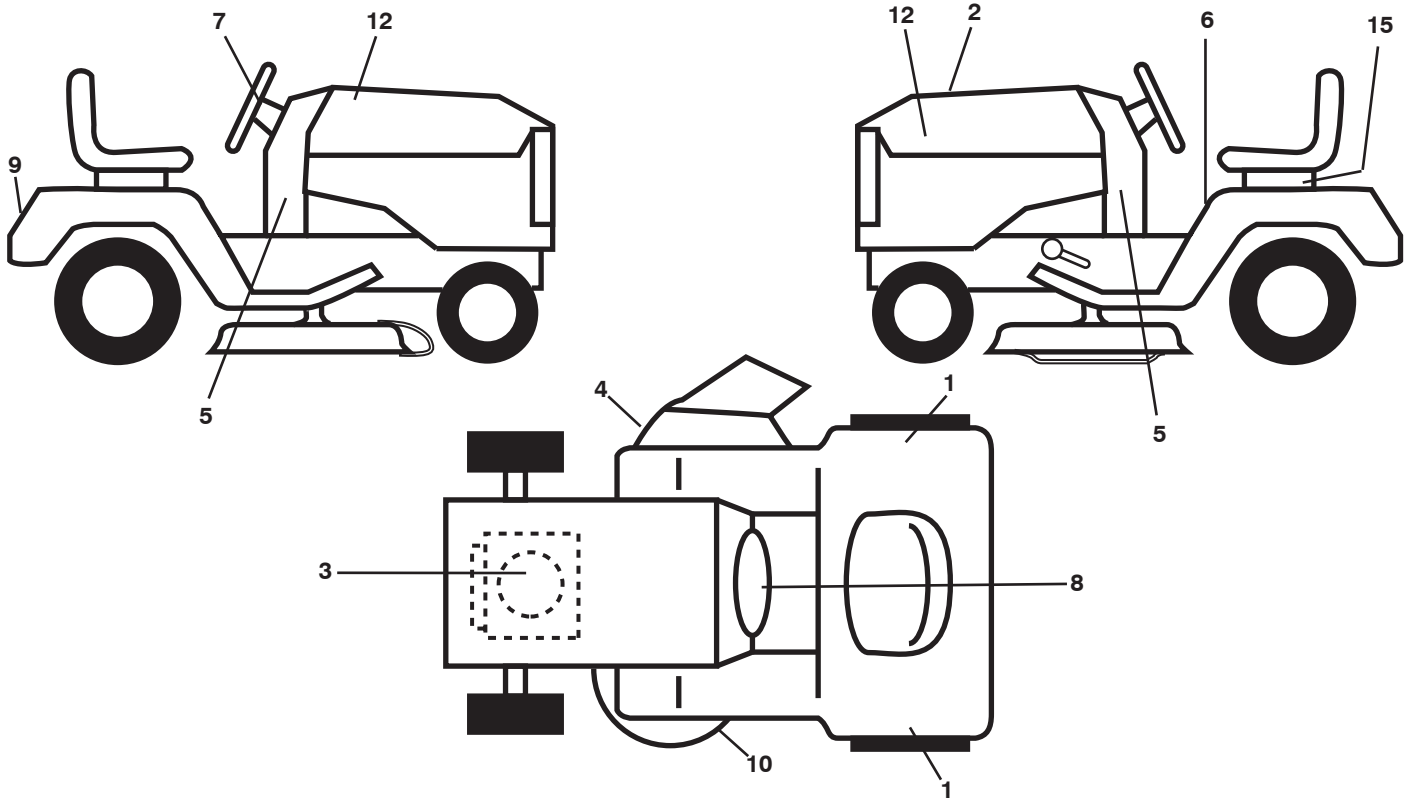
KEY NO.	PART NO.	DESCRIPTION
1	532 19 25-56	Mower Housing Assembly
2	872 14 05-06	Bolt Carriage 5/16-18 x 3/4
3	532 13 80-17	Bracket Asm Fr. Sway Bar
4	532 19 25-68	Bracket Deck Sway Bar 38"/42"
5	532 12 46-70	Retainer Spring
6	532 17 80-24	Bar Sway Deck
7	873 80 05-00	Nut Lock 5/16-18 unc
8	532 19 30-03	Bolt 3/8-24 x 1.25 Gr. 8
11	532 19 39-57	Blade, 38", Mulching (For mulching or discharge)
13	532 19 28-72	Shaft Assembly, Mandrel, Vented (Includes Key Number 6)
14	532 18 72-81	Housing, Mandrel, Vented
15	532 11 04-85	Bearing, Ball, Mandrel
18	872 14 05-05	Blade Rdhd Sqnk 5/16-18 x 5/8
19	532 13 28-27	Bolt, Shoulder
20	532 40 00-95	Baffle Vortex Front
21	873 68 05-00	Nut
23	532 19 25-57	Bracket, Mower Deflector
24	532 10 53-04	Cap, Sleeve
25	532 19 70-26	Spring, Torsion, Deflector
26	532 11 04-52	Nut, Push
27	532 19 39-68	Shield, Deflector
29	532 13 14-91	Rod, Hinge
30	532 17 39-84	Screw Thdrol.
31	532 18 76-90	Washer, Spacer
32	532 15 35-32	Pulley, Mandrel
33	532 40 02-34	Nut, Toplock
36	532 13 14-94	Pulley, Idler, Flat
37	532 19 31-98	Pulley, Idler Flat
40	873 68 06-00	Nut, Crownlock 3/8-16 unc
45	532 12 47-88	Retainer
55	532 13 38-40	Idler Arm Assembly
56	532 16 57-23	Spacer, Retainer
67	532 10 69-32	Knob
68	532 19 32-14	Belt, Drive

KEY NO.	PART NO.	DESCRIPTION
72	532 19 32-16	Spring Brake Return
89	819 13 13-11	Washer 13/32 x 13/16 x 11 Ga.
107	532 13 35-02	Spacer Retainer
108	532 13 35-03	Stiffener, Idler Arm
122	532 41 01-89	Rod, Brake LH
123	532 41 01-90	Rod, Brake RH
144	532 19 34-14	Keeper Belt Idler Tension
148	532 16 90-22	Spring Return Idler
149	532 16 58-98	Retainer Spring Yellow
150	819 09 12-10	Washer 9/32 x 3/4 x 10 Ga.
152	532 19 39-13	Clutch Cable 38"
158	817 72 04-08	Screw Hex Thd Cut 1/4-20 x 1/2
185	532 18 82-34	Head Asm Cable Clutch
186	817 49 06-44	Screw Hex Wsh Thdrol 3/8-16 x 2-3/4
187	532 19 34-12	Keeper Belt M Shape
188	532 16 58-91	Bolt Carriage Idler
189	532 19 25-59	Brake Stand
190	532 19 25-60	Brake Arm
191	532 19 25-61	Brake Spacer
193	532 19 34-13	Keeper Belt Rh Mandrel
194	532 19 41-05	Brake Guard
195	819 13 32-10	Washer 13/32 x 2 x 10 Ga.
208	817 67 06-08	Screw Thdrol 3/8-16 x 1/2
214	532 19 37-82	Bolt/Washer Asm. 5/16-18
--	532 19 25-58	Brake Assembly
--	532 19 28-70	Mandrel Assembly (Includes housing, shaft assembly, and bearing only - pulley/nut/washer and blade bolt/washers not included)
--	532 43 26-48	Replacement Mower, Complete

NOTE: All component dimensions given in U.S. inches
1 inch = 25.4 mm

REPAIR PARTS

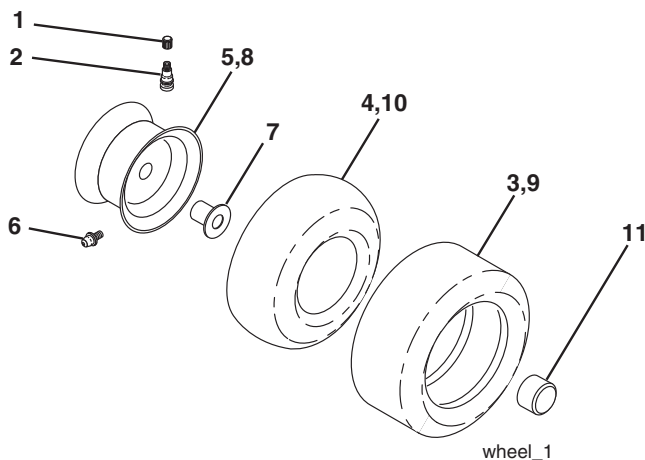
TRACTOR - MODEL NUMBER PO12538LT (96018000600), PRODUCT NO. 960 18 00-06
DECALS



KEY NO.	PART NO.	DESCRIPTION
1	532 43 19-85	Decal, Fender RH/LH Set
2	532 44 66-04	Decal, Replacement
3	532 40 88-08	Decal, Engine HP
4	532 17 05-63	Decal, Warning
5	532 44 68-33	Decal, Dash Lower
6	532 41 16-58	Decal, Fender Warning (E&F)
7	532 43 19-82	Decal, Ins Str Wh
8	532 43 52-86	Decal, Warn. Spark

KEY NO.	PART NO.	DESCRIPTION
9	532 43 19-86	Decal, Fender
10	532 19 43-02	Decal, V-Belt Sch.
12	532 43 19-83	Decal, Hood RH/LH
15	532 14 50-05	Decal, Caution, Battery
--	532 13 83-11	Decal, Handle Lft Height Adj.
--	532 44 66-59	Manual, Operator's (Eng./French)
--	532 44 66-60	Manual, Parts (Eng./French)

WHEELS & TIRES



KEY NO.	PART NO.	DESCRIPTION
1	532 05 91-92	Cap, Tire Valve
2	532 06 51-39	Stem, Valve
3	532 10 62-22	Tire, Front
4	532 05 99-04	Tube, Front (Service item only)
5	532 18 33-37	Rim Assembly, 6" Front
6	532 12 49-57	Fitting, Grease (Front wheel only)
7	532 12 49-59	Bearing, Flange (Front wheel only)
8	532 18 33-38	Rim Assembly, 8" Rear
9	532 12 46-35	Tire, Rear
10	532 12 49-26	Tube, Rear (Service item only)
11	532 17 50-39	Cap, Hub Axle
--	532 14 43-34	Sealant, Tire (10 oz. Tube)

NOTE: All component dimensions given in U.S. inches
1 inch = 25.4 mm

LIMITED WARRANTY

The Manufacturer warrants to the original consumer purchaser that this product as manufactured is free from defects in materials and workmanship. For a period of two (2) years from date of purchase by the original consumer purchaser, we will repair or replace, at our option, without charge for parts or labor incurred in replacing parts, any part which we find to be defective due to materials or workmanship. This Warranty is subject to the following limitations and exclusions.

1. This warranty does not apply to the engine, transaxle/transmission components, battery (except as noted below) or components parts thereof. Please refer to the applicable manufacturer's warranty on these items.
2. Transportation charges for the movement of any power equipment unit or attachment are the responsibility of the purchaser. Transportation charges for any parts submitted for replacement under this warranty must be paid by the purchaser unless such return is requested by the manufacturer.
3. Battery Warranty: On products equipped with a Battery, we will replace, without charge to you, any battery which we find to be defective in manufacture, during the first ninety (90) days of ownership. After ninety (90) days, we will exchange the Battery, charging you 1/12 of the price of a new Battery for each full month from the date of the original sale. Battery must be maintained in accordance with the instructions furnished.
4. The Warranty period for any products used for rental or commercial purposes is limited to 90 days from the date of original purchase.
5. This Warranty applies only to products which have been properly assembled, adjusted, operated, and maintained in accordance with the instructions furnished. This Warranty does not apply to any product which has been subjected to alteration, misuse, abuse, improper assembly or installation, delivery damage, or to normal wear of the product.
6. Exclusions: Excluded from this Warranty are belts, blades, blade adapters, normal wear, normal adjustments, standard hardware and normal maintenance.
7. In the event you have a claim under this Warranty, you must return the product to an authorized service dealer.

Should you have any unanswered questions concerning this Warranty, please contact:

HOP
Outdoor Products Customer Service Dept.
9335 Harris Corners Parkway
Charlotte, NC 28269 USA

In Canada contact:
HOP
5855 Terry Fox Way
Mississauga, Ontario
L5V 3E4

giving the model number, serial number and date of purchase of your product and the name and address of the authorized dealer from whom it was purchased.

THIS WARRANTY DOES NOT APPLY TO INCIDENTAL OR CONSEQUENTIAL DAMAGES AND ANY IMPLIED WARRANTIES ARE LIMITED TO THE SAME TIME PERIODS STATED HEREIN FOR OUR EXPRESSED WARRANTIES. Some areas do not allow the limitation of consequential damages or limitations of how long an implied Warranty may last, so the above limitations or exclusions may not apply to you. This Warranty gives you specific legal rights, and you may have other rights which vary from locale to locale.

This is a limited Warranty within the meaning of that term as defined in the Magnuson-Moss Act of 1975.

Poulan

This product has been expertly engineered and carefully manufactured to rigid quality standards. As with all mechanical products, some adjustments or part replacement may be necessary during the life of your unit.

For Parts and service, contact our authorized distributor: call 1-800-849-1297

- For replacement parts, have available the following information:
 - a. Model Number/Manufacturer's I.D. Number
 - b. Description of part.

For Technical Assistance: call 1-800-829-5886

For a Parts Manual, go to our website: www.poulan.com

NOTE: HOP provides parts and service through its authorized distributors and dealers; therefore, all requests for parts and service should be directed to your local dealer(s). The philosophy of HOP is to continually improve all of its products. If the operating characteristics or the appearance of your product differs from those described in this Manual, please contact your local dealer for updated information and assistance.