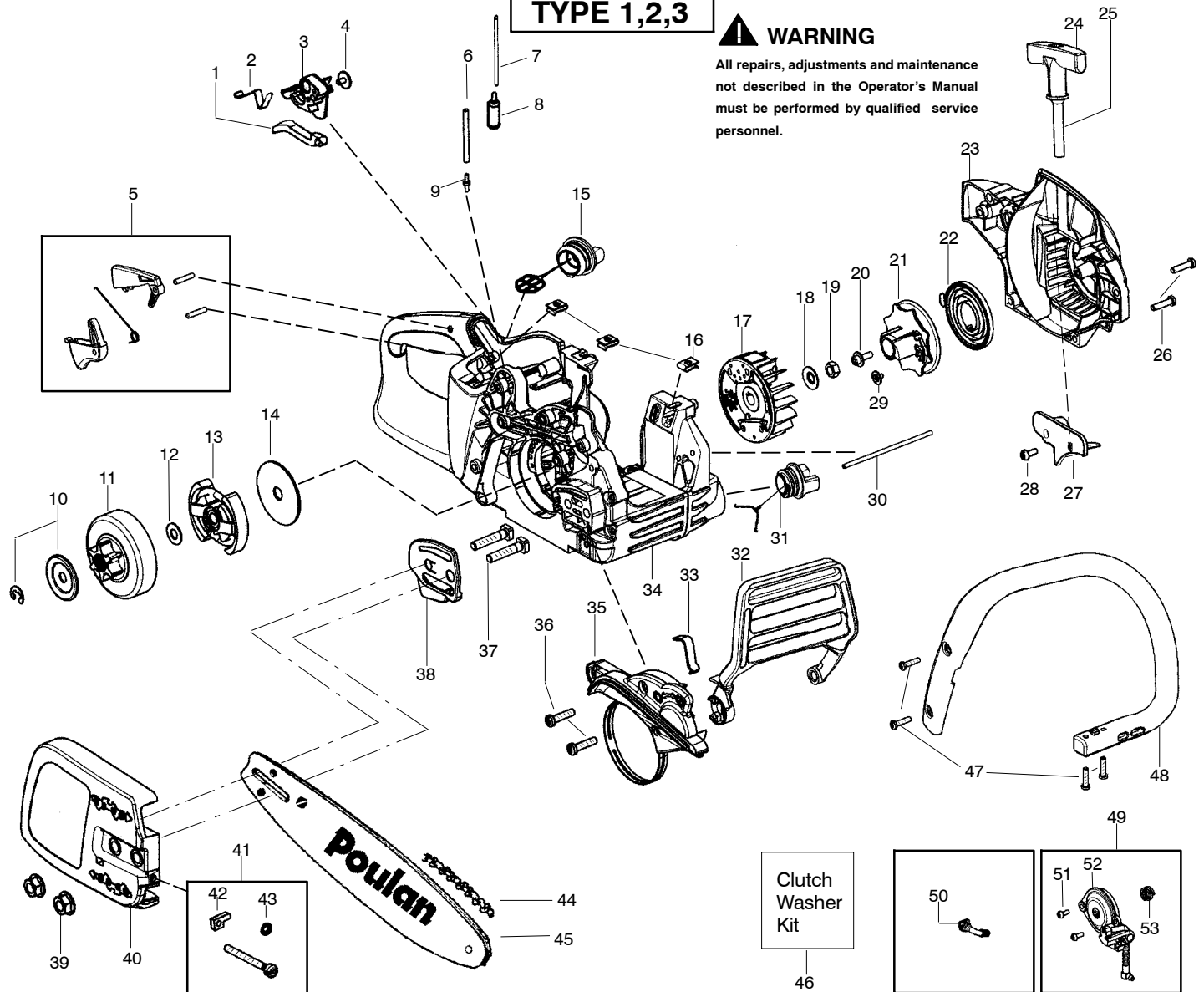


TYPE 1,2,3

⚠ WARNING

All repairs, adjustments and maintenance not described in the Operator's Manual must be performed by qualified service personnel.

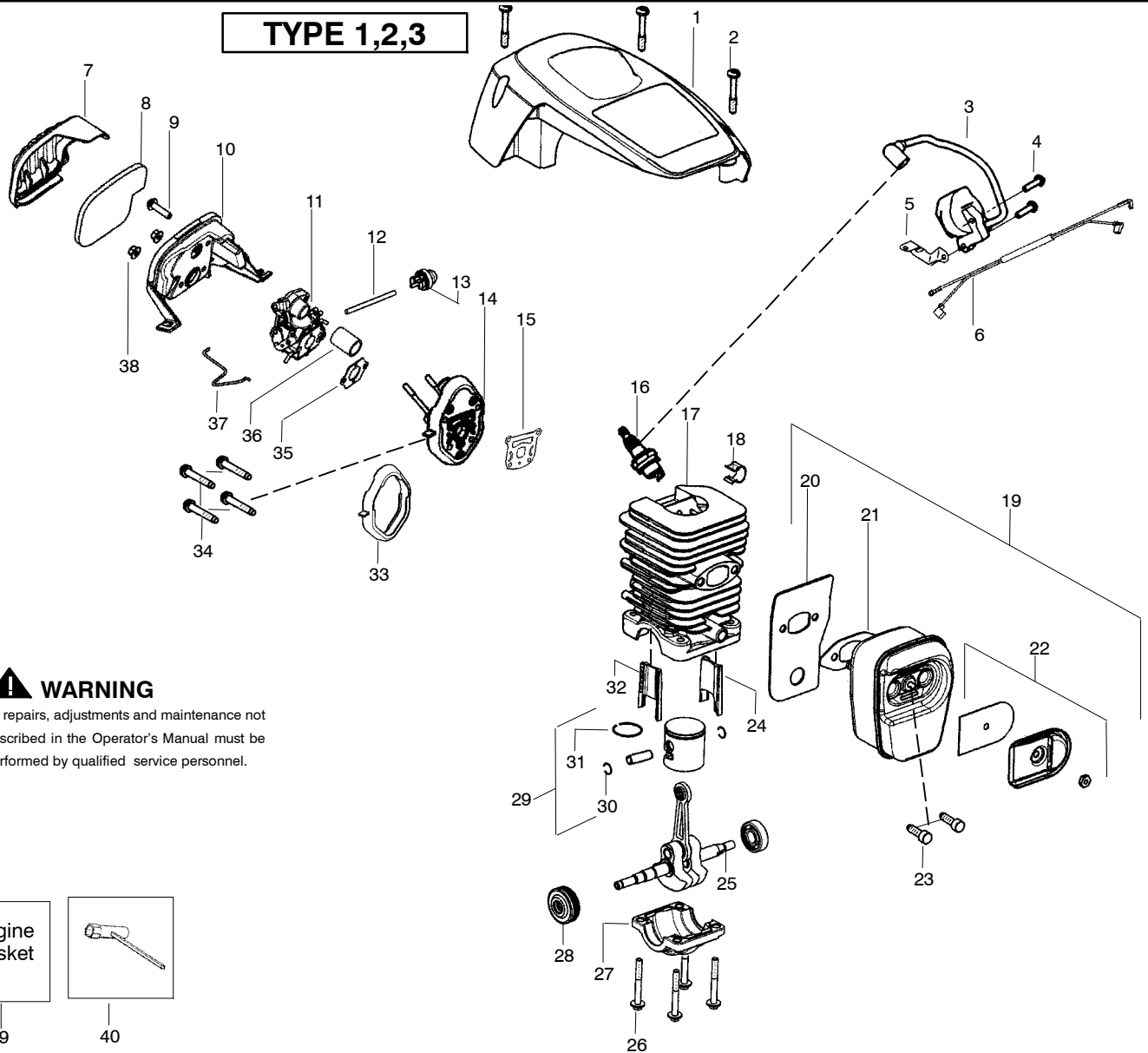


Ref.	Part No.	Description	Ref.	Part No.	Description	Ref.	Part No.	Description
1.	530057893	Knob-Choke	21.	530057890	Pulley-Starter	38.	530057910	Plate-Bar
2.	530057908	Spring-Ign. Switch	22.	576657801	Spring-Starter	39.	530015917	Nut-Bar
3.	530057891	Lever-Ign. Switch	23.	579372001	Kit - Fan Housing (Incl. 27, 28)	40.	----	Clutch Cover (TYPE 1,2)
4.	530016080	Screw	24.	530056402	Handle-Starter	41.	530058914	Kit-Bar Adjust (Incl. 42,43)
5.	530071888	Kit-Trigger/Lockout	25.	530069232	Kit-Rope	42.	530058933	(TYPE 3)(Incl. 41)
6.	----	Kit-Fuel Line (Large)	26.	530016432	Screw	43.	530069611	Kit-Bar Adjust (Incl. 42,43)
7.	530069216 580727101	(TYPE 1,2) (TYPE 3)	27.	578152201	Guide - Rope	44.	530015826	Pin-Bar Adjust
7.	----	Kit-Fuel Line (Small)	28.	545227101	Screw	43.	530038593	Ret.-Bar-Adjust
8.	530069247 580727101	(TYPE 1,2) (TYPE 3)	29.	530016080	Screw	44.	952051211	Accy-16" Chain Bar -16"
8.	530095649	Assy-Fuel Pick Up	30.	530058786	Assy-Oil Vent	45.	----	(TYPE 1,2)
9.	530023877	Fitting-Fuel line	31.	530057236	Assy-Oil Cap w/ret.	45.	952044942	(TYPE 3)
10.	----	Washer (Ref.#46)	32.	530057897	Handguard	46.	952044370	Kit-Clutch Washer (Incl. 10,12)
11.	530057905	Assy-Clutch Drum 3/8"	33.	530016416	Spring-Handguard	47.	530071945	Screw
12.	----	Washer (Ref.#46)	34.	----	Assy-Chassis (TYPE 1,2)	48.	530016432	Handle-Front
13.	530057907	Assy-Clutch	35.	579062601	(Incl. 5,6,7,9,15,16, 30,31,33,37)	49.	530057888	Kit-Oil Pump (Incl. 51,52,53)
14.	576379901	Washer-Large Clutch	36.	530016432	(TYPE 3)	50.	530071891	Assy-Oil Pick Up
15.	577858501	Assy-Fuel Cap w/ret	37.	530016133	(Incl. 5,6,7,9,15,16, 30,31,33,37)	51.	530057924	Screw
16.	530015922	Nut-"U" type speed	38.	530071893	Kit-Chainbrake	52.	545227101	Assy-Oil Pump
17.	545016305	Assy.-Flywheel	39.	530016134	Screw	53.	530037820	Gear-Worm
18.	530015127	Washer-Flywheel	40.	530015920	Bolt-Bar			

↙ = NEW PART NUMBER FOR THIS IPL

* = REFER TO THE SERVICE REFERENCE INDICATED FOR MORE INFORMATION. (LOCATED AT END OF IPL)

PARTS LIST NO. 576754701		Poulan® PARTS LIST	CHAIN SAW MODEL(S) P3816
DATE 8/15/12	Replaces 576-754701 - 1/12/12		Note: Illustration may differ from actual model due to design changes



Ref.	Part No.	Description	Ref.	Part No.	Description	Ref.	Part No.	Description
1.	530058837	Shield-Cylinder (incl. #2)	16.	952030150	Accy-Spark Plug (RCJ-7Y)	34.	530016426	Screw
2.	530016153	Screw	17.	530071884	Kit-Cylinder (Incl. 24,32)	35.	----	Gasket-(Ref.#39)
3.	545090601	Module-Ignition	18.	530016136	Clip-High Tension Lead	36.	530057926	Tube-Intake
4.	530016432	Screw	19.	545006007	Kit-Muffler (Incl .20,21,22,23)	37.	530057909	Wire-Throttle
5.	530047442	Strap-Ground	20.	530057942	Backplate-Muffler	38.	530016101	Nut-Carb.
6.	530057943	Assy-Wire Harness	21.	----	Gasket-(Ref.#19,39)	39.	530071894	Kit-Gasket (Incl . 15,21,33,35)
7.	530058687	Cover-Air Filter	22.	545006056	Kit-Spark Arrestor	40.	530031163	Wrench-bar
8.	530057925	Filter-Air	23.	530016338	Bolt-Muffler			Not Shown
9.	530016425	Screw	24.	545015301	Insert-Left (black) Cyl.	----	115480927	Manual
10.	530057892	Housing-Air Filter	25.	545112901	Assy-Crankshaft/Rod	----	115516426	Operator Operator (Walmart only)
11.	---	Carburetor	26.	530016417	Bolt	----	530059107	Decal-Warning
	545070601	Zama W-26	27.	530057941	Cap-Crankcase	----	577961401	Body-Carrying Case
12.	---	Kit-Fuel Line (small)	28.	530056363	Assy-Bearing/Seal	----	577960701	LH/RH-Carrying Case
	530069247	(TYPE 1,2)	29.	530071883	Kit-Piston (Incl. 30,31)	----	530164050	Latch-Carrying Case
	580727101	(TYPE 3)	30.	530015697	Retainer-Piston Pin	----	577961001	Scabbard-Carrying Case
13.	530047721	Bulb-Purge "snap-in"	31.	545160401	Ring-Piston			
14.	530071889	Kit-Carb. Adaptor (Incl. # 15,33,36)	32.	545015401	Insert-Right (gray) Cyl.			
15.	----	Gasket (Ref.#14,39)	33.	----	Seal-(Ref.#14,39)			

↗ = NEW PART NUMBER FOR THIS IPL

★ = REFER TO THE SERVICE REFERENCE INDICATED FOR MORE INFORMATION. (LOCATED AT END OF IPL)