

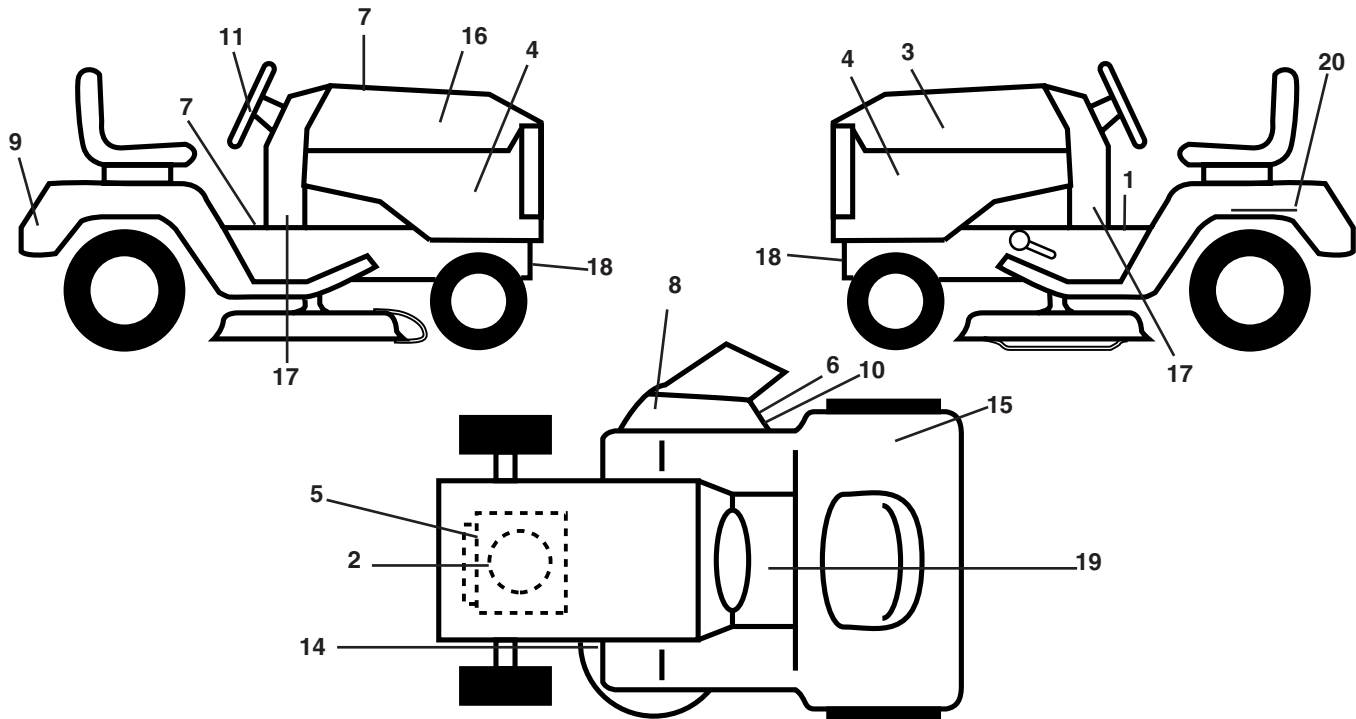
ILLUSTRATED PARTS LIST

MFG ID NO. 96011021700

CUSTOMER CATALOG NO. PP185H42

PRODUCT NO. 960 11 02-17

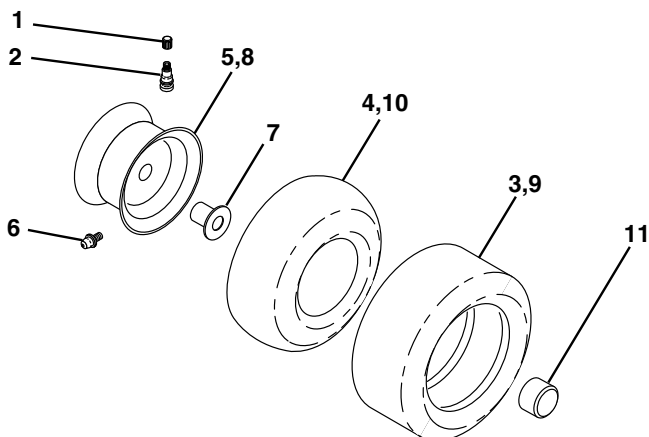
**TRACTOR - - MODEL NUMBER PP185H42 (96011021700), PRODUCT NO. 960 11 02-17
DECALS**



KEY NO.	PART NO.	DESCRIPTION
1	532 14 08-37	Decal, Saddle Parking Brake
2	532 18 92-88	Decal, Engine RP
3	532 18 61-64	Decal, Hood LH
4	532 18 92-89	Decal, Side Panel Logo
5	532 19 68-41	Decal, Warning Eng Lym.
6	532 18 21-66	Decal, Cutfinger CE
7	532 40 03-89	Decal, Warning Sym CE
8	532 17 91-28	Decal, Deck "B" 42"
9	532 17 27-40	Decal, Fender Logo
10	532 19 63-57	Deflector Cutfinger Sym
11	532 17 27-43	Decal, Ins Strg Whl
14	532 16 03-96	Decal, V-Belt Schematic
15	532 16 88-69	Decal Tick Mark

KEY NO.	PART NO.	DESCRIPTION
16	532 18 61-63	Decal, Hood Rh
17	532 40 24-36	Decal, Lower Dash
18	532 15 97-36	Decal, Hot Muffler
19	532 15 97-37	Decal, Brake/Clutch symb
20	532 14 50-05	Decal, Bat Dan/Psn
--	532 16 25-98	Decal, Load Limit
--	532 13 83-11	Decal, Handle Lft Height Adjust
--	532 16 25-98	Decal, Load Limit
--	532 16 69-60	Decal, Bypass
--	532 18 82-52	Pad Footrest LH
--	532 18 82-53	Pad Footrest RH
--	532 40 36-66	Manual Operator's
--	532 40 36-67	Manual Parts

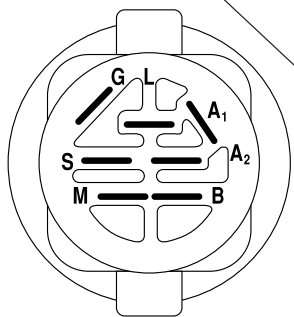
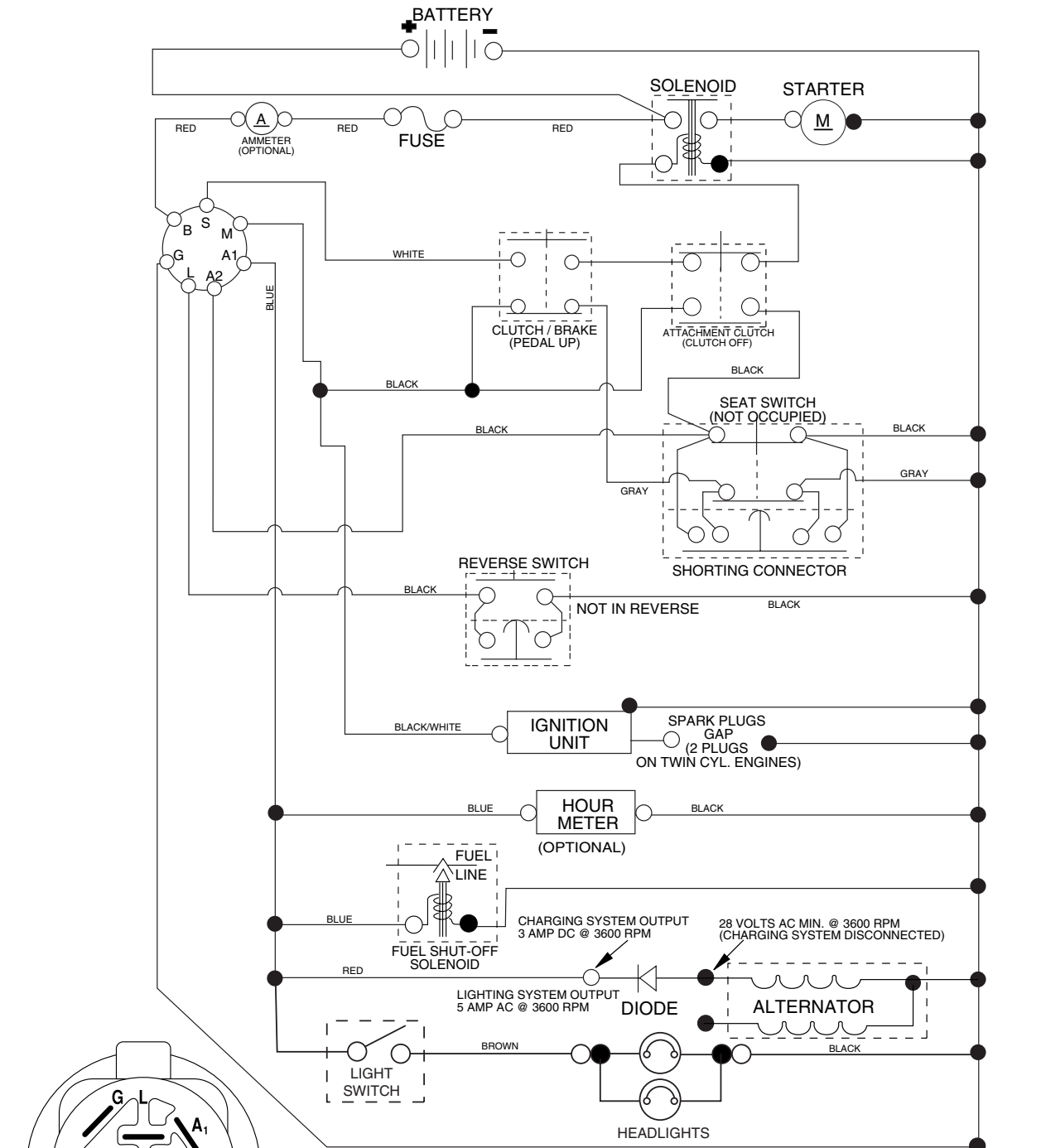
WHEELS AND TIRES



KEY NO.	PART NO.	DESCRIPTION
1	532 05 91-92	Cap Valve Tire
2	532 06 51-39	Stem Valve
3	532 10 62-22	Tire F T 15 x 6 0 - 6 Service
4	532 05 99-04	Tube Front (Service Item Only)
5	532 12 51-21	Rim Asm 6" front Service
6	532 12 49-57	Fitting Grease (Front Wheel Only)
7	532 12 49-59	Bearing Flange (Front Wheel nly)
8	532 12 51-22	Rim Asm 8" rear Service
9	532 13 84-68	Tire R T 20 x 8-8 Service
10	532 12 49-26	Tube Rear (Service Item Only)
11	532 19 32-68	Cap Axle Blk 1 50 x 1 00
--	532 14 43-34	Sealant, Tire (10 oz. Tube)

NOTE: All component dimensions given in U.S. inches
1 inch = 25.4 mm

TRACTOR - - MODEL NUMBER PP185H42 (96011021700), PRODUCT NO. 960 11 02-17 SCHEMATIC



IGNITION SWITCH

POSITION	CIRCUIT	"MAKE"
OFF	M+G+A1	
RUN/OVERRIDE	B+A1	
RUN	B+A1	L+A2
START	B + S + A1	

03059

NOTE

YOUR TRACTOR IS EQUIPPED WITH A SPECIAL ALTERNATOR SYSTEM. THE LIGHTS ARE NOT CONNECTED TO THE BATTERY, BUT HAVE THEIR OWN ELECTRICAL SOURCE. BECAUSE OF THIS, THE BRIGHTNESS OF THE LIGHTS WILL CHANGE WITH ENGINE SPEED. AT IDLE THE LIGHTS WILL DIM. AS THE ENGINE IS SPEEDED UP, THE LIGHTS WILL BECOME THEIR BRIGHTEST.

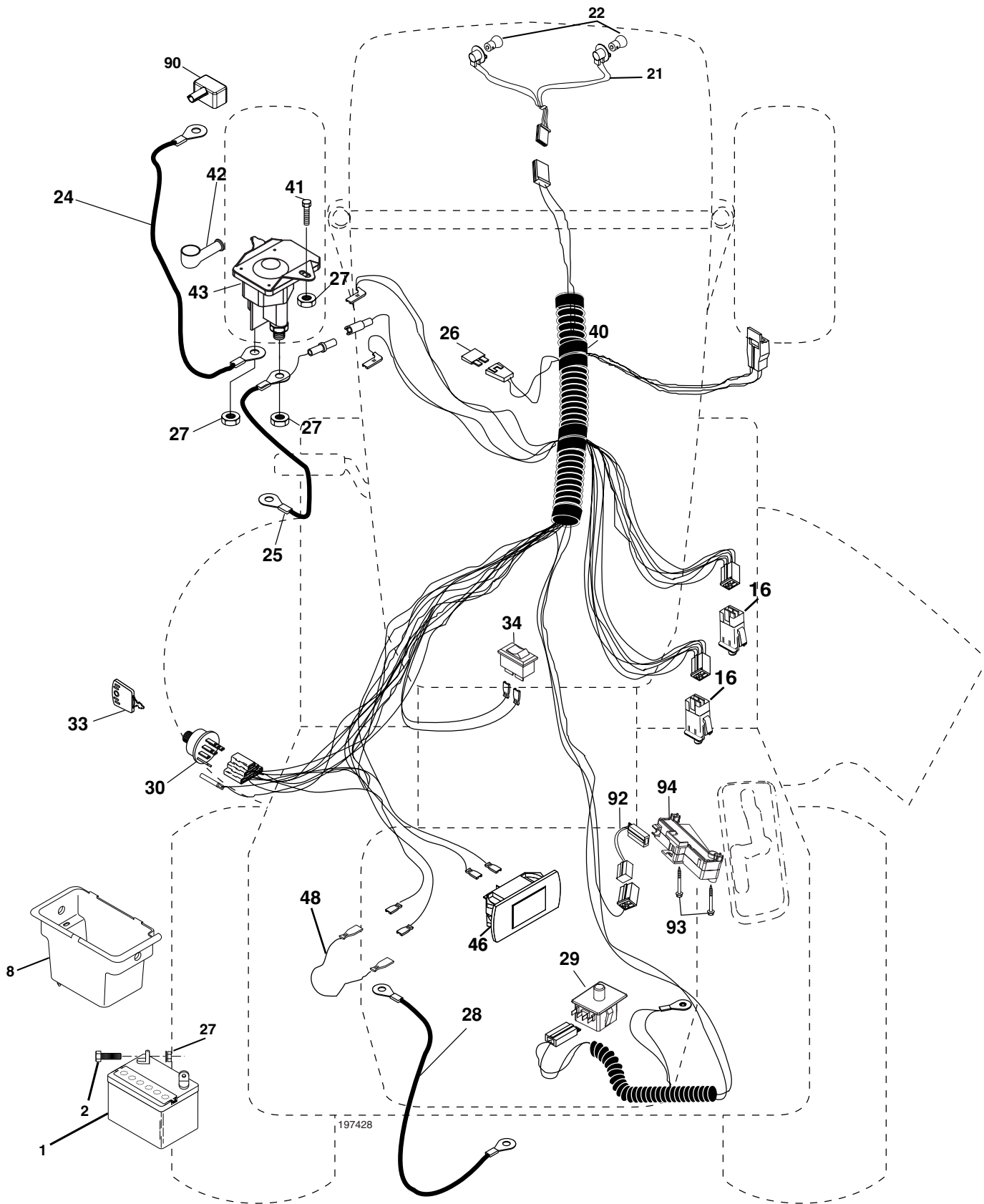
●
NON-REMOVABLE CONNECTIONS

○
REMOVABLE CONNECTIONS

WIRING INSULATED CLIPS

NOTE: IF WIRING INSULATED CLIPS WERE REMOVED FOR SERVICING OF UNIT, THEY SHOULD BE REPLACED TO PROPERLY SECURE YOUR WIRING.

**TRACTOR - - MODEL NUMBER PP185H42 (96011021700), PRODUCT NO. 960 11 02-17
ELECTRICAL**



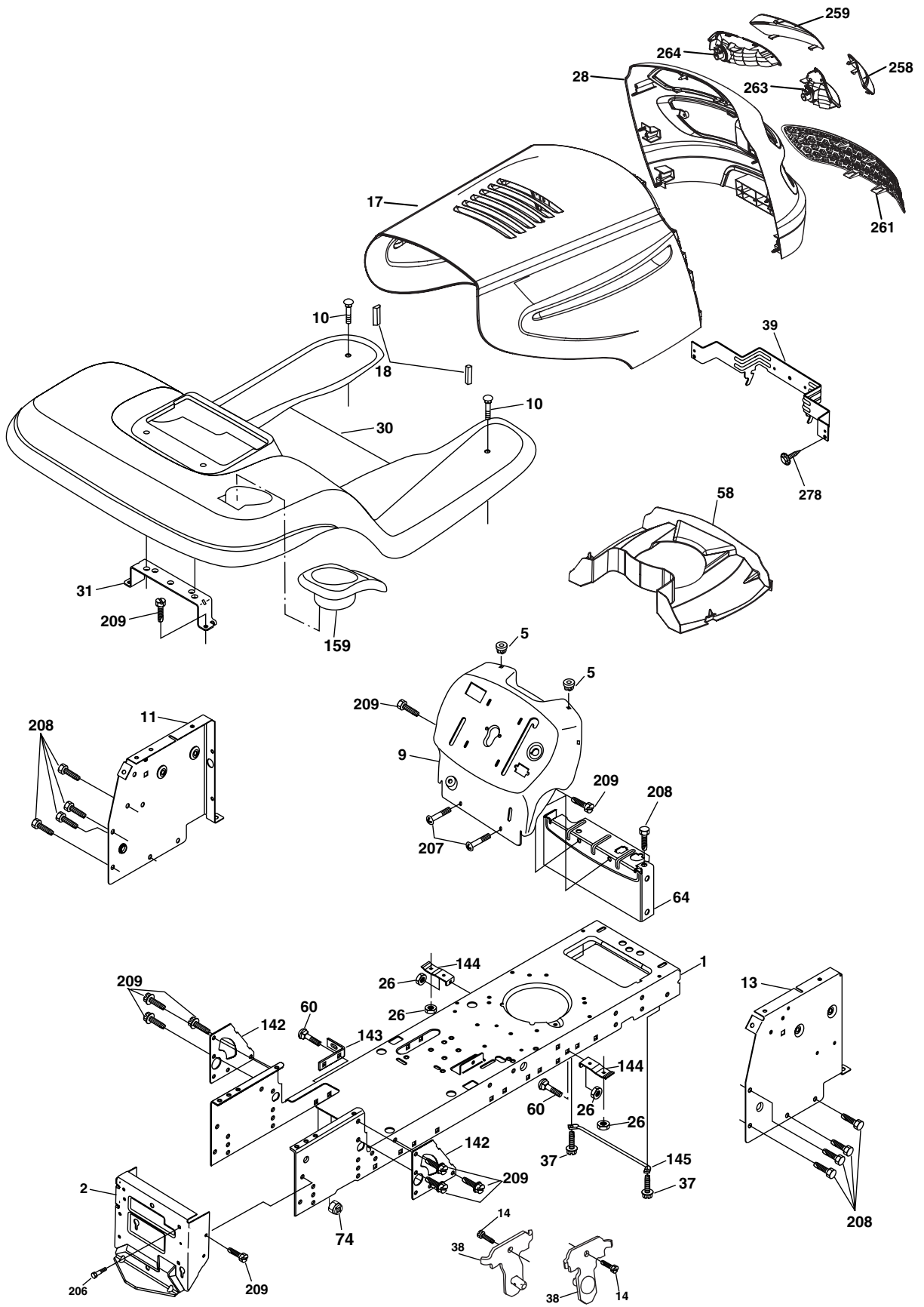
197428

**TRACTOR - - MODEL NUMBER PP185H42 (96011021700), PRODUCT NO. 960 11 02-17
ELECTRICAL**

KEY NO.	PART NO.	DESCRIPTION
1	532 16 34-65	Battery
2	874 76 04-12	Bolt Hex Hd 1/4-20 unc x 3/4
8	532 17 66-89	Box Battery
16	532 17 61-38	Switch Interlock
21	532 18 37-59	Harness Socket Light
22	532 00 41-52	Bulb, Light # 1156
24	532 12 47-80	Cable Battery
25	532 14 61-47	Cable Battery 6 Ga. Red w/16 wire 44"
26	532 17 51-58	Fuse
27	873 51 04-00	Nut Keps Hex 1/4-20 unc
28	532 00 42-07	Cable Ground 12" Blk 6 Ga.
29	532 19 27-49	Switch Seat
30	532 19 33-50	Switch Ign
33	532 14 04-01	Key Ign Molded Generic
34	532 11 07-12	Switch Light/Reset
40	532 19 74-28	Harness Ign
41	871 11 04-08	Bolt Fin Hex 1/4-20 unc x 1/2
42	532 13 15-63	Cover Terminal Red
43	532 19 25-07	Solenoid
46	532 19 81-38	Gauge Hourmeter
48	532 14 08-44	Adapter Ammeter
90	532 18 04-49	Cover Terminal
92	532 19 66-15	Harness Pigtail
93	532 19 25-40	Screw Plastite 10-14 x 2.0
94	532 19 18-34	Module Reverse ROS

NOTE: All component dimensions given in U.S. inches
1 inch = 25.4 mm

TRACTOR - - MODEL NUMBER PP185H42 (96011021700), PRODUCT NO. 960 11 02-17
CHASSIS



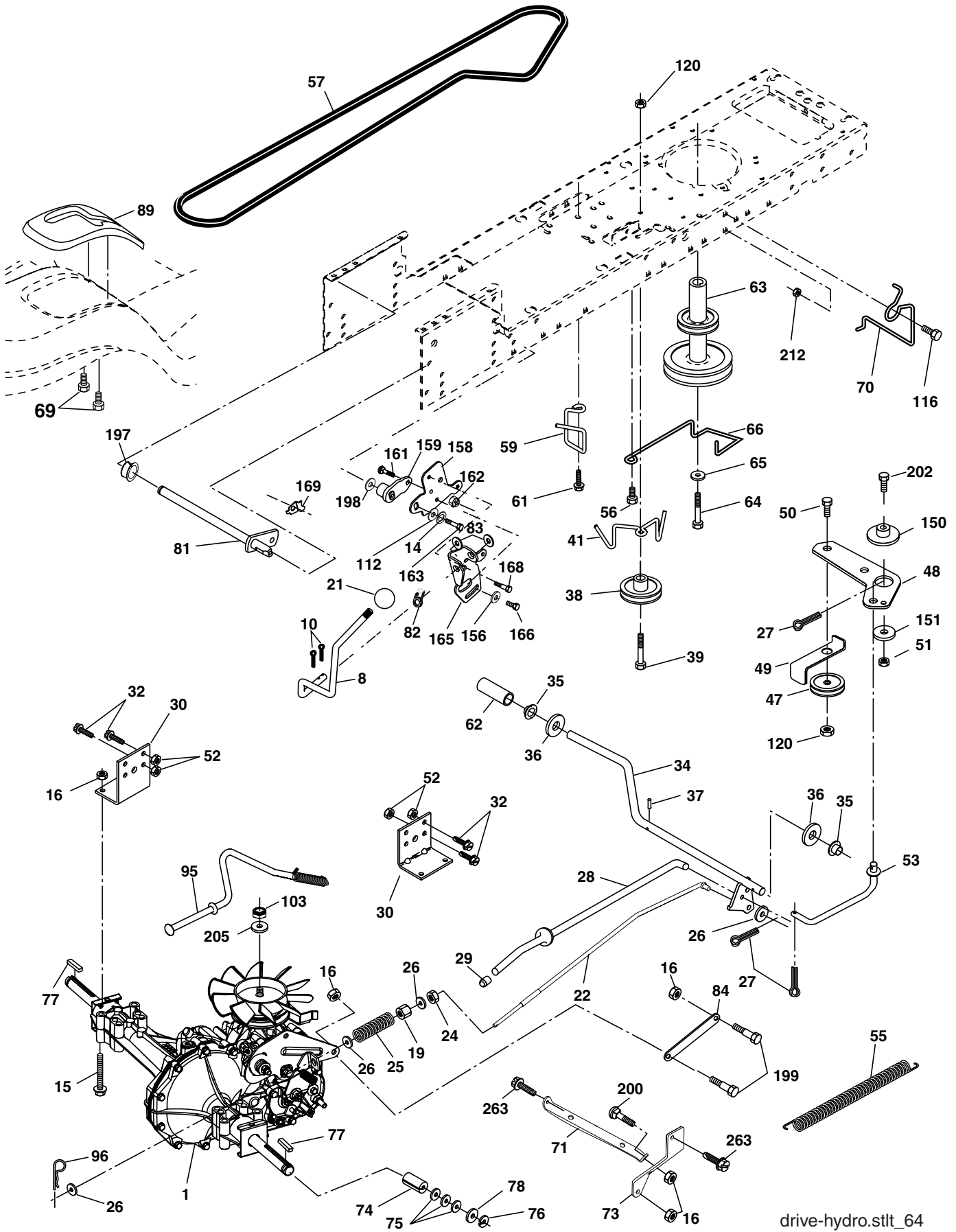
chassis_elite sv_pro_11

**TRACTOR - - MODEL NUMBER PP185H42 (96011021700), PRODUCT NO. 960 11 02-17
CHASSIS**

KEY NO.	PART NO.	DESCRIPTION
1	532 17 46-19	Chassis
2	532 17 65-54	Drawbar
5	532 15 52-72	Bumper Hood/Dash
9	532 40 51-14	Dash P/L
10	872 14 06-08	Bolt Carriage 3/8-16 x 1
11	532 17 49-96	Panel Dash Lh
13	532 18 69-52	Panel Dash Rh
14	817 49 06-08	Screw Thdrol 3/8-16 x 1/2
17	532 18 65-80	Hood
18	532 18 49-21	Bumper Hood
26	873 80 06-00	Nut Lock Hex W/Ins 3/8-16 unc
28	532 18 38-28	Grille/Lens Asm (Includes Nos. 258, 259, 261, 263, 264)
30	532 19 58-09	Fender/Footrest
31	532 13 99-76	Bracket Fender
37	817 49 05-08	Screw Thdrol 6/16-18 x 1/2 TYT
38	532 17 57-10	Bracket Asm Pivot Mower Rear
39	532 17 47-14	Bracket Pivot
58	532 15 01-27	Duct Air
60	872 14 06-06	Bolt 3/8-16 x 3/4
64	532 15 47-98	Dash Lower STLT
74	873 68 06-00	Nut 3/8-16
142	532 17 57-02	Plate Reinforcement STLT
143	532 18 66-89	Bracket Swaybar Chassis
144	532 17 55-82	Bracket Footrest
145	532 15 65-24	Rod Pivot Chassis/Hood
159	532 18 13-55	Cupholder
206	532 17 01-65	Bolt Shoulder 5/16-18
207	817 67 05-08	Screw Thdrol 5/16-18 x 1/2
208	817 67 06-08	Screw Thdrol 3/8-16 x 1/2
209	817 00 06-12	Screw Hexwsh Thdr 3/8-16 x 3/4
258	532 18 97-55	Lens Grille Pro RH
259	532 18 97-54	Lens Grille Pro LH
261	532 18 97-53	Insert Grille
263	532 18 38-33	Bezel Grille RH
264	532 18 38-32	Bezel Grille LH
278	532 19 16-11	Screw 10 x 3/4 Single Lead Hex
--	532 00 54-79	Plug BTN BIK
--	532 18 78-01	Plug Dome Plastic

NOTE: All component dimensions given in U.S. inches
1 inch = 25.4 mm

TRACTOR - - MODEL NUMBER PP185H42 (96011021700), PRODUCT NO. 960 11 02-17
DRIVE



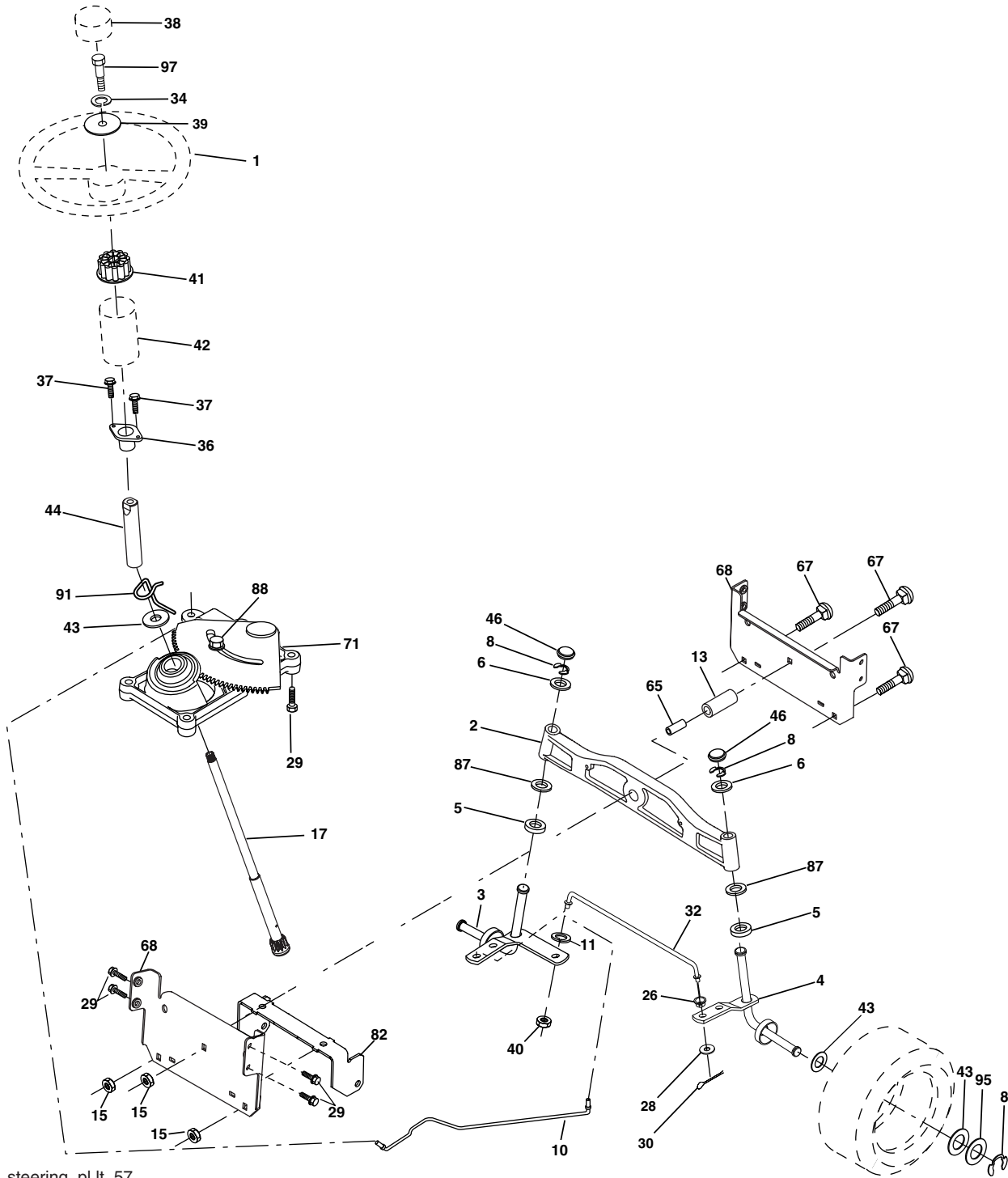
drive-hydro.stlt_64

**TRACTOR - - MODEL NUMBER PP185H42 (96011021700), PRODUCT NO. 960 11 02-17
DRIVE**

KEY NO.	PART NO.	DESCRIPTION	KEY NO.	PART NO.	DESCRIPTION
1	-----	Transaxle Hydro Gear 314-0510 (Order Parts From Transaxle Manufacturer)	66	532154778	Keeper Belt Engine
8	532192706	Rod Shift	69	532142432	Screw Hex Wsh Hi-Lo 1/4-1/2 unc
10	876020416	Pin Cotter 1/8 x 1 CAD	70	532134683	Guide Belt
14	810040400	Washer Lock Hvy Helical	71	532169183	Strap Torque LH
15	874490544	Bolt, Hex FLGHD 5/16-18 Gr. 5	73	532169182	Strap Torque RH
16	873800500	Nut Lock Hex W/Ins 5/16-18 unc	74	532137057	Spacer, Axle
19	873800600	Nut Lock Hex W/Wsh 3/8-16 unc	75	532121749	Washer 25/32 x 1-1/4 x 16 Ga.
21	532140845	Knob, Round 1/2-13	76	812000001	E-Ring
22	532169498	Rod, Brake Hydro	77	532123583	Key, Square
24	873350600	Nut	78	532121748	Washer 25/32 x 1-5/8 x 16 Ga.
25	532106888	Spring, Brake Rod	81	532165596	Shaft Asm. Cross Hydro
26	819131316	Washer	82	532165711	Spring Torsion T/A
27	876020412	Pin Cotter 1/8 x 3/4 CAD.	83	819171216	Washer 17/32 x 3/4 x 16 Ga.
28	532175765	Rod, Parking Brake	84	532169594	Link Trans.
29	532071673	Cap, Parking Brake	89	532195746	Console, Shift
30	532169592	Bracket, Transaxle	95	532170201	Disconnect Asm. Rod Bypass
32	874760512	Bolt Hex Hd 5/16-18 unc x 3/4	96	532004497	Retainer Spring 1" Zinc/Cad
34	532175578	Shaft, Foot Pedal	112	819091210	Washer 9/32 x 3/4 x 10 Ga.
35	532120183	Bearing, Nylon	116	872140608	Bolt RDHD SQNK 3/8-16 unc x 1
36	819211616	Washer	120	873900600	Nut Lock Flg 3/8-16 unc
37	532001572	Pin, Roll	150	532175456	Spacer Retainer
38	532179114	Pulley, Composite	151	819133210	Washer 13/32 x 2 x 10 Ga.
39	872110622	Bolt Rdhd 3/8-16 unc x 2-3/4 Gr. 5	156	532166002	Washer Srrted 5/16 ID x 1.125
41	532175556	Keeper, Belt Idler	158	532165589	Bracket Shift Mount
47	532127783	Pulley, Idler, V-Groove	159	532183900	Hub Shift
48	532154407	Bellcrank Clutch Grnd Drv STL	161	872140406	Bolt Rdhd Sqnk 1/4-20 x 3/4 Gr. 5
49	532123205	Retainer, Belt	162	873680400	Nut Crownlock 1/4-20 unc
50	872110612	Bolt Carr Sh 3/8-16 x 1-1/2 Gr. 5	163	874780416	Bolt Hex Fin 1/4-20 unc x 1 Gr. 5
51	873680600	Nut Crownlock 3/8-16 unc	165	532165623	Bracket Pivot Lever
52	873680500	Nut Crownlock 5/16-18 unc	166	817490510	Screw 5/16-18 x 5/8
53	532199652	Link, Clutch	168	532165492	Bolt Shoulder 5/16-18 x .561
55	532105709	Spring, Return, Clutch	169	532165580	Plate Fastening Lt
56	817060620	Screw 3/8-16 x 1-1/4	197	532169613	Nyliner Snap-In 5/8" ID
57	532140294	V-Belt, Ground Drive	198	532169593	Washer Nyl 7/8 ID x .105
59	532169691	Keeper, Center Span	199	532169612	Bolt Shoulder
61	817120614	Screw 3/8-16 x .875	200	872140508	Bolt Carr. 5/16-18 x 1
62	532124782	Cover, Pedal	202	872110614	Bolt Carr Sh 3/8-16 x 1-3/4 Gr. 5
63	532175410	Pulley, Engine	212	532145212	Nut Hex flange Lock
64	532173937	Bolt Hex 7/16-20 x 4 x Gr. 5-1.5 Thr	263	817000612	Screw Hex Wsh Thdr 3/8-16 x 3/4
65	810040700	Washer			

NOTE: All component dimensions given in U.S. inches
1 inch = 25.4 mm

**TRACTOR - - MODEL NUMBER PP185H42 (96011021700), PRODUCT NO. 960 11 02-17
STEERING ASSEMBLY**



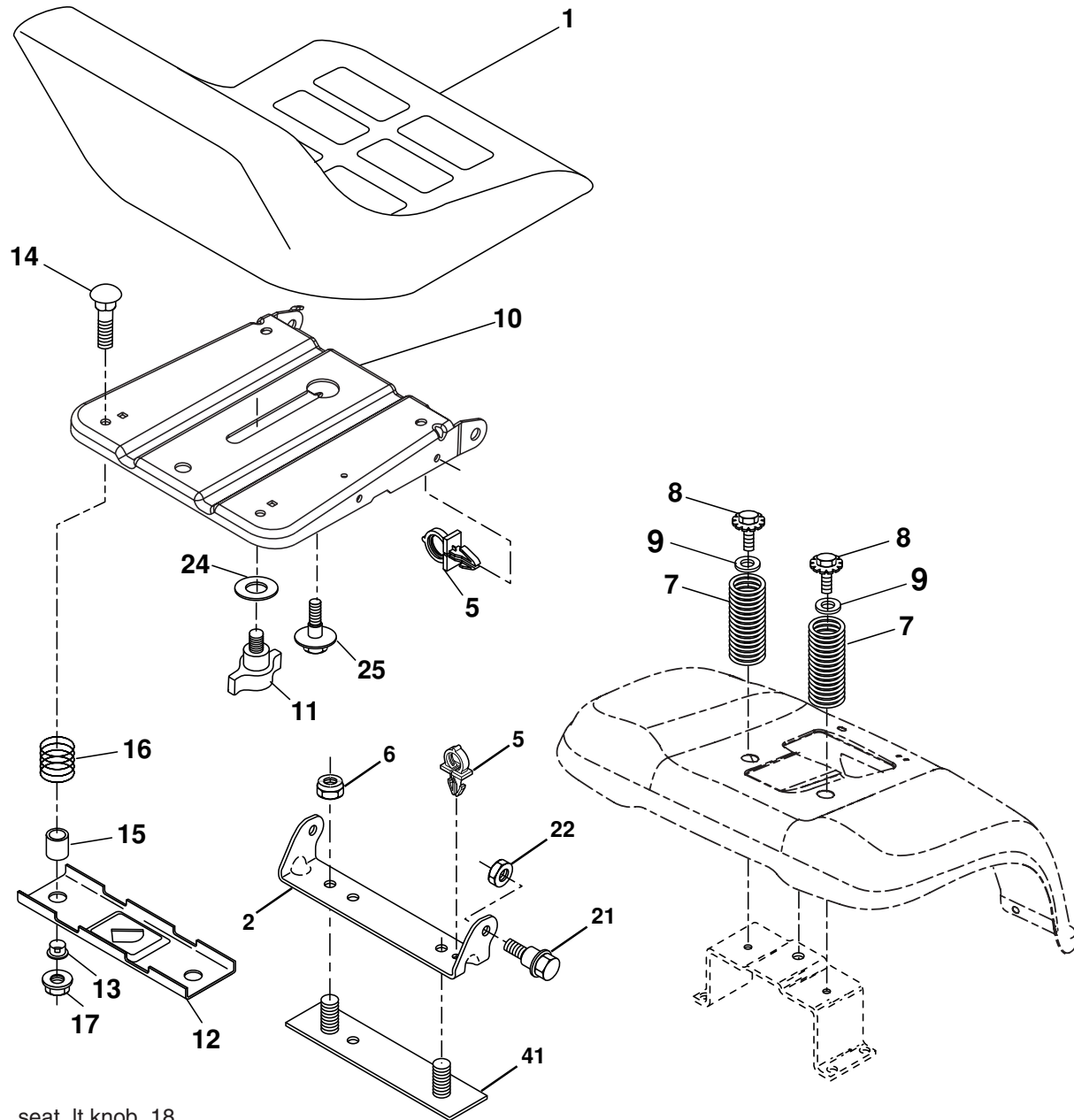
steering_pl.lt_57

**TRACTOR - - MODEL NUMBER PP185H42 (96011021700), PRODUCT NO. 960 11 02-17
STEERING ASSEMBLY**

KEY NO.	PART NO.	DESCRIPTION
1	532 19 45-95	Wheel Steering
2	532 18 47-06	Axle Asm
3	532 16 98-40	Spindle Asm LH
4	532 16 98-39	Spindle Asm RH
5	532 12 49-31	Bearing Race Thrust Harden
6	532 12 17-48	Washer 25/32 x 1-5/8 x 16 Ga.
8	812 00 00-29	Ring Klip #t5304-75
10	532 17 51-21	Link Drag
11	810 04 06-00	Washer Lock Hvy Hlcl Spr 3/8
13	532 13 65-18	Spacer Brg Axle Front
15	532 14 52-12	Nut Hex Flange Lock
17	532 19 07-53	Shaft Asm Steering
26	532 12 68-47	Bushing Link Drag
28	819 13 14-16	Washer 13/32 x 7/8 x 16 Ga.
29	817 00 06-12	Screw 3/8-16 x .75
30	876 02 04-12	Pin Cotter 1/8 x 3/4
32	532 19 27-57	Rod Tie
34	810 04 05-00	Washer Lock Hvy Hlcl Spr 5/16
36	532 15 50-99	Bushing Strg
37	532 15 29-27	Screw
38	532 19 46-03	Insert Cap Strg Wh
39	819 11 38-12	Washer 11/32 ID x 2-3/8 OD 12 Ga.
40	873 54 06-00	Crownlock nut
41	532 18 67-37	Adaptor Wheel Strg
42	532 16 96-33	Boot Steering Dash
43	532 12 17-49	Washer 25/32 x 1 1/4 x 16 Ga.
44	532 19 07-52	Extension Steering Shaft
46	532 12 12-32	Cap Spindle Fr Top Blk
65	532 16 03-67	Spacer Brace Axle
67	872 11 06-18	Bolt RDHD SQNK 3/8-16 x 2 1/4
71	532 17 51-46	Steering Asm
68	532 16 98-27	Axle, Brace
82	532 19 99-78	Bracket Susp Chassis Front
87	532 17 39-66	Washer Flat .781 x 1 1/2 x .14
88	532 17 51-18	Bolt Shoulder 7/16-20 unc
91	532 17 55-53	Clip Steering
95	532 18 89-67	Washer Harden .739 x 1.637 x .060
97	874 78 05-64	Bolt 5/16-18 unc x 4" L Gr. 5

NOTE: All component dimensions given in U.S. inches
1 inch = 25.4 mm

**TRACTOR - - MODEL NUMBER PP185H42 (96011021700), PRODUCT NO. 960 11 02-17
SEAT ASSEMBLY**



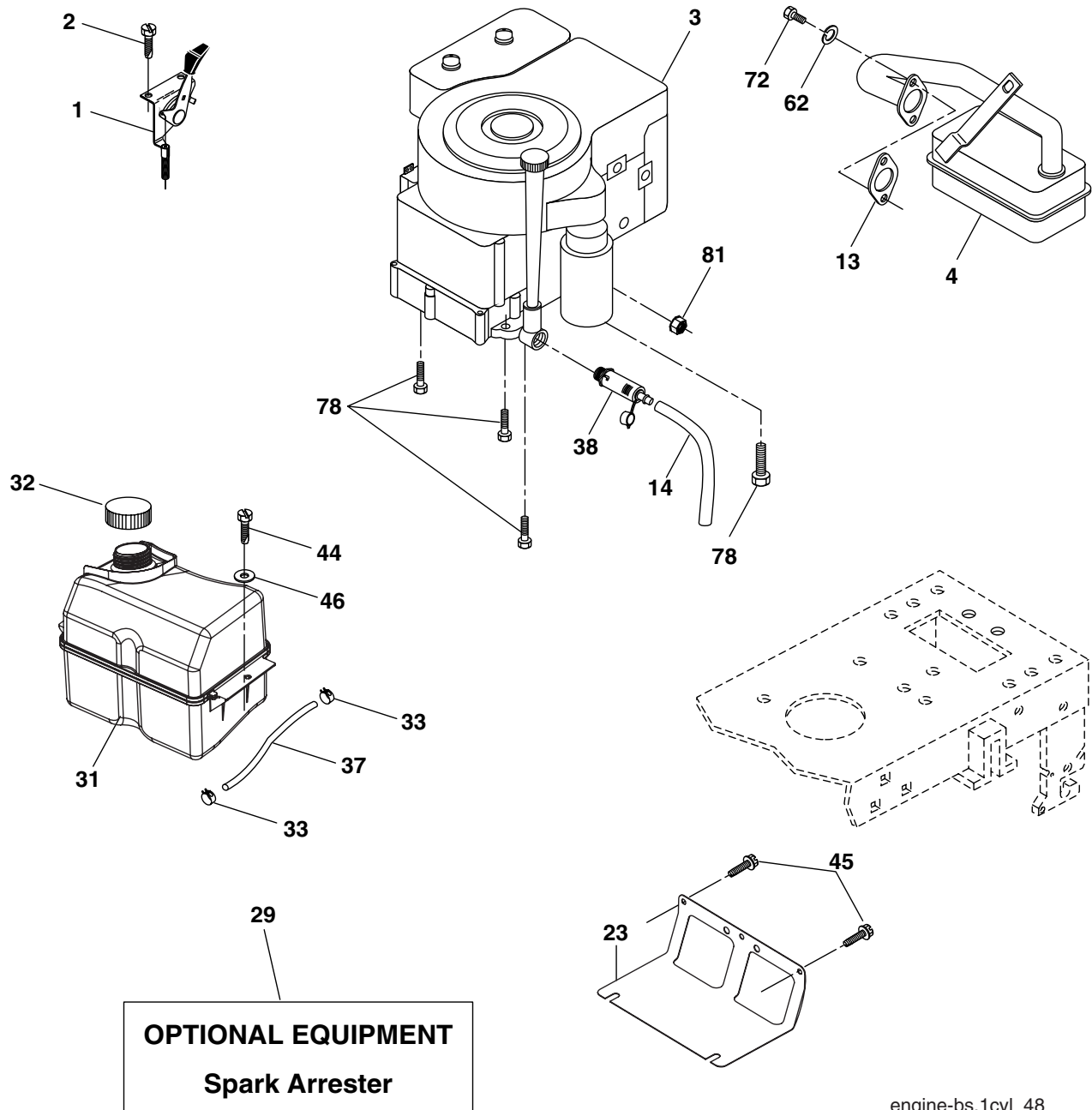
seat_lt.knob_18

KEY NO.	PART NO.	DESCRIPTION
1	532 18 87-12	Seat
2	532 14 05-51	Bracket Pivot Seat 8 720
5	532 14 50-06	Clip Push-In
6	873 80 06-00	Nut Hex w/Ins. 3/8-16 unc
7	532 12 41-81	Spring Seat Cprsn 2 250 Blk Zi
8	817 00 06-16	Screw 3/8-16 x 1.5 Smgml
9	819 13 16-14	Washer 13/32 x 1 x 14 Ga.
10	532 19 55-30	Pan Seat
11	532 16 63-69	Knob Seat
12	532 17 46-48	Bracket Mounting Switch
13	532 12 12-48	Bushing Snap Blk Nyl 50 Id
14	872 05 04-12	Bolt Rdhd Sqnk 1/4-20 x 1-1/2

KEY NO.	PART NO.	DESCRIPTION
15	532 13 43-00	Spacer Split 28x 88
16	532 12 12-50	Spring Cprsn
17	532 12 39-76	Nut Lock 1/4 Lge Flg Gr. 5 Zinc
21	532 17 18-52	Bolt Shoulder 5/16-18 unc
22	873 80 05-00	Nut Hex Lock W/Ins 5/16-18
24	819 17 19-12	Washer 17/32 x 1-3/16 x 12 Ga.
25	532 12 70-18	Bolt Shoulder 5/16-18 x 62
41	532 14 06-75	Strap Asm. Fender

NOTE: All component dimensions given in U.S. inches
1 inch = 25.4 mm

**TRACTOR - - MODEL NUMBER PP185H42 (96011021700), PRODUCT NO. 960 11 02-17
ENGINE**



OPTIONAL EQUIPMENT
Spark Arrester

engine-bs.1cyl_48

KEY NO.	PART NO.	DESCRIPTION
1	532 17 05-51	Control, Throttle
2	817 72 04-08	Screw Hex Thd Cut 1/4-20 x 1/2
3	-----	Engine Briggs Model 31P777 (Order Parts from Engine Mfg.)
4	532 13 73-52	Muffler
13	532 16 52-91	Muffler Gasket
14	532 14 84-56	Tube Oil Drain
23	532 16 98-37	Shield, Browning/Debris Guard
29	532 13 71-80	Arrester, Spark
31	532 18 55-34	Tank, Fuel
32	532 19 77-25	Cap, Fuel
33	532 12 34-87	Clamp, Hose Blk
37	532 13 70-40	Line, Fuel
38	532 18 16-54	Plug Drain Oil Easy
44	817 67 04-12	Screw Hex Wsh Thdrol 1/4-20 x 3/4
45	817 00 06-12	Screw Hex Wsh Thdrol 3/8-16 x 3/4

KEY NO.	PART NO.	DESCRIPTION
46	819 09 14-16	Washer 9/32 x 7/8 x 16 Ga.
62	810 01 05-00	Washer Split
72	532 19 23-34	Screw Socket Hd 5/16-18 x .75
78	817 06 06-20	Screw 3/8-16 x 1-1/4
81	873 51 04-00	Nut Keps Hex 1/4-20 unc

NOTE: All component dimensions given in U.S. inches
1 inch = 25.4 mm

For engine service and replacement parts, call the toll free number for your engine manufacturer listed below:

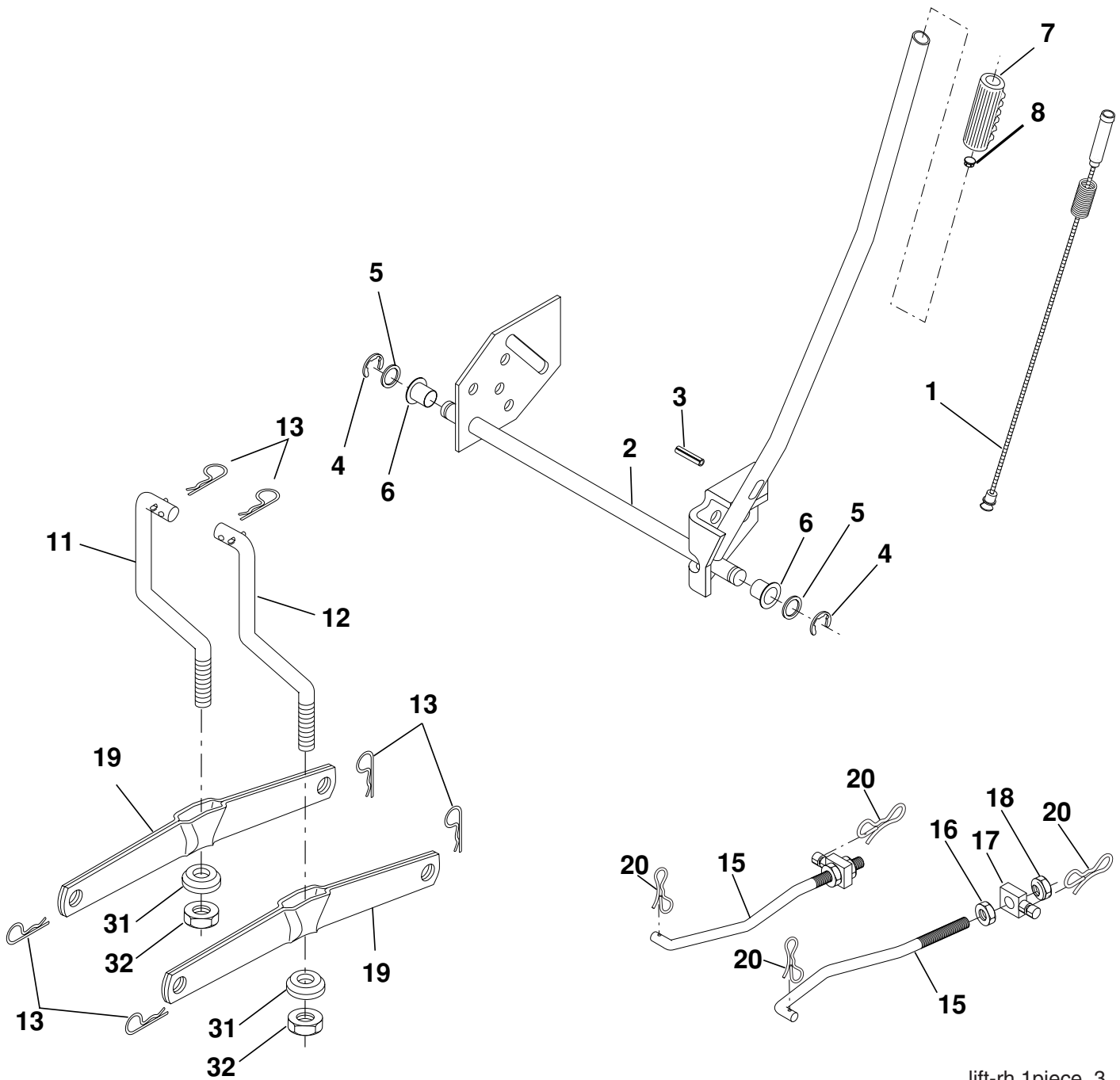
- Briggs & Stratton 1-800-233-3723
- Kohler Co. 1-800-544-2444
- Tecumseh Products 1-800-558-5402
- Honda Engines 1-800-426-7701
- Kawasaki 1-949-460-5688

**TRACTOR - - MODEL NUMBER PP185H42 (96011021700), PRODUCT NO. 960 11 02-17
MOWER DECK**

KEY NO.	PART NO.	DESCRIPTION	KEY NO.	PART NO.	DESCRIPTION
1	532 16 58-92	Mower Deck Assembly, 42"	53	532 18 49-07	Arm Assembly, Pad, Brake
2	872 14 05-06	Bolt	54	532 17 85-15	Washer, Hardened
3	532 13 80-17	Bracket Asm Fr. Sway Bar 3/42	55	532 15 50-46	Arm, Idler
4	532 16 54-60	Bracket Asm Deck 42" Sway Bar	56	532 12 20-52	Spacer, Retainer
5	532 12 46-70	Retainer Spring	59	532 14 10-43	Guard TUV Idler
6	532 17 80-24	Bar Sway Deck	67	532 17 15-98	Knob
8	532 85 08-57	Bolt 3/8-24 x 1.25 Gr. 8 patched	68	532 14 49-59	V-Belt, 42" Mower
9	810 03 06-00	Washer, Lock	92	873 80 06-00	Nut 3/8-16
10	532 14 02-96	Washer, Hardened	111	532 17 92-92	Bracket Asm. Whl Ga. LH
		(The following Blades are available)	112	532 17 92-93	Bracket Asm Whl Ga. RH
11	532 13 89-71	Blade Mower 42" Hi-Lift	113	817 00 05-10	Screw 5/16-18
		(for bagging and discharging)	116	532 12 48-42	Bolt, Shoulder
--	532 13 41-49	Blade, Mulching 42" Std	117	532 18 86-06	Wheel, Gauge
		(for mulching mowers only)	118	873 93 06-00	Nut Centerlock 3/8-16
--	532 13 97-75	Blade Mulching 42" Premium	119	819 12 14-14	Washer 3/8 x 7/8 x 14 Ga.
		(For better wear when mulching)	129	819 13 13-12	Washer 13/32 x 13/16 x 12 Ga.
13	532 13 76-45	Shaft Assembly, Mandrel, Vented	130	874 78 06-16	Bolt 3/8-16 x 1 Gr. 5
14	532 12 87-74	Housing, Mandrel, Vented	131	872 14 06-08	Bolt 3/8-16 unc x 1
15	532 11 04-85	Bearing, Ball, Mandrel	142	532 16 58-90	Arm Spring Brake Mower
16	532 17 44-93	Stripper, Mandrel Deck	143	532 15 71-09	Bracket Arm Idler 42"
18	872 14 05-05	Bolt, Carriage 5/16-18 x 5/8	144	532 17 34-41	Keeper Belt 42" Clutch Cable
19	532 13 28-27	Bolt, Shoulder	145	532 17 34-37	Pulley Idler Flat
20	532 15 97-70	Baffle, Vortex	146	532 17 34-43	Bolt Carriage Idler
21	873 68 05-00	Nut	147	532 13 13-35	Spring Extension
23	532 17 75-63	Bracket, Deflector Mower 42"	148	532 16 90-22	Spring Return Idler
24	532 10 53-04	Cap, Sleeve 80 x 112 Blk Mower	149	532 16 58-98	Retainer Spring Yellow
25	532 12 37-13	Spring, Torsion, Deflector 2 52	150	819 09 12-10	Washer 9/32 x 3/4 x 10 Ga.
26	532 11 04-52	Nut, Push Phos & Oil	152	532 16 96-76	Clutch Cable 42"
27	532 17 18-59	Shield, Deflector 42" Blk	158	817 72 04-08	Screw Hex Thd Cut 1/4-20 x 1/2
28	819 11 10-16	Washer 11/32 x 5/8 x 16 Ga.	159	872 14 06-14	Bolt Rdhd Sqn 3/8-16 unc x 1-3/4
29	532 13 14-91	Rod, Hinge 42" 6 75 W/G	184	819 13 14-10	Washer 13/32 x 7/8 x 10 Ga.
30	532 17 39-84	Screw Thdrol	185	532 18 82-34	Head Asm Cable Clutch
31	532 18 76-90	Washer, Spacer Mower Vented	--	532 13 07-94	Mandrel Assembly (Includes Housing Shaft and Shaft Hardware Only - Pulley Not Included)
32	532 17 34-36	Pulley, Mandrel	--	53217 25-59	Replacement Mower, Complete (Std. deck-Order seperately gauge wheel componants Key Nos. 116-119)
33	532 17 83-42	Nut, Toplock			
34	872 11 06-12	Bolt Carr SH 3/8-16 x 1-1/2 Gr.5			
36	532 17 34-38	Pulley, Idler, Flat			
40	873 90 06-00	Nut Lock 3/8-16			
44	532 14 00-88	Guard, Mandrel, LH			
45	532 00 44-97	Retainer			
46	532 13 77-29	Screw, Thdrol 1/4-20 x 5/8 T			
48	532 13 39-44	Washer, Hardened			
52	532 13 98-88	Bolt, Shoulder 5/16-18 unc			

NOTE: All component dimensions given in U.S. inches
1 inch = 25.4 mm

**TRACTOR - - MODEL NUMBER PP185H42 (96011021700), PRODUCT NO. 960 11 02-17
MOWER LIFT**



lift-rh.1piece_3

KEY NO.	PART NO.	DESCRIPTION
1	532 19 84-17	Wire Asm Inner/Sprg W/plunger
2	532 19 80-70	Shaft Asm Lift RH w/Inf
3	532 18 88-22	Pin Groove 5/16 Dia x 1.875
4	812 00 00-02	E Ring #5133-62
5	819 21 16-21	Washer 21/32 x 1 x 21 Ga.
6	532 12 01-83	Bearing Nylon Blk 629 Id
7	532 12 56-31	Grip Handle
8	532 17 07-70	Button Plunger
11	532 13 98-65	Link Lift LH Fixed Length
12	532 13 98-66	Link Lift RH Fixed Length
13	532 12 46-70	Retainer Spring

KEY NO.	PART NO.	DESCRIPTION
15	532 17 32-88	Link Front
16	873 35 08-00	Nut Jam Hex 1/2-13 unc
17	532 17 56-89	Trunnion
18	873 80 08-00	Nut Lock W/Wsh 1/2-13 unc
19	532 13 98-68	Arm Suspension Rear
20	532 19 42-09	Pin Cotter 7/16 Bow Tie Lock
31	532 16 98-65	Bearing Pvt Lift
32	873 54 06-00	Nut Crownlock 3/8 - 24

NOTE: All component dimensions given in U.S. inches
1 inch = 25.4 mm