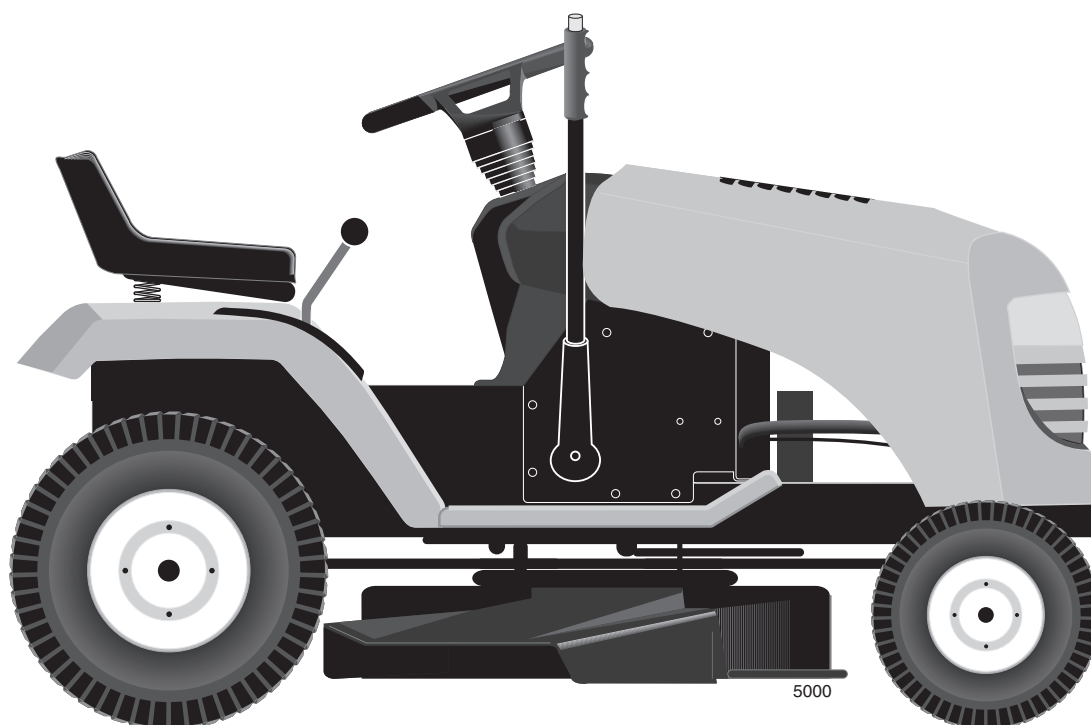


# PoulanXT<sup>®</sup>



**REPAIR PARTS MANUAL**

**MODEL:**

**PXT175G42**

**LAWN TRACTOR**

**ALWAYS WEAR EYE PROTECTION DURING OPERATION**

Visit our website: [www.poulan.com](http://www.poulan.com)



**WARNING:**

Read this Manual and follow all Warnings and Safety Instructions. Failure to do so can result in serious injury.

# HOW TO USE THIS MANUAL

This manual is designed to provide the customer with a means to identify the parts on his/her tractor when ordering repair parts. The illustrations may or may not represent the actual assemblies; therefore, it is not recommended to use this manual as a guide to assemble or disassemble the tractor. Some hardware and parts are drawn larger in order to more readily identify them.

Each tractor has its own model number.

The model number for your tractor can be found on the fender under the seat.

When ordering parts, always give the following information:

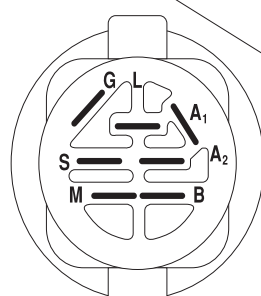
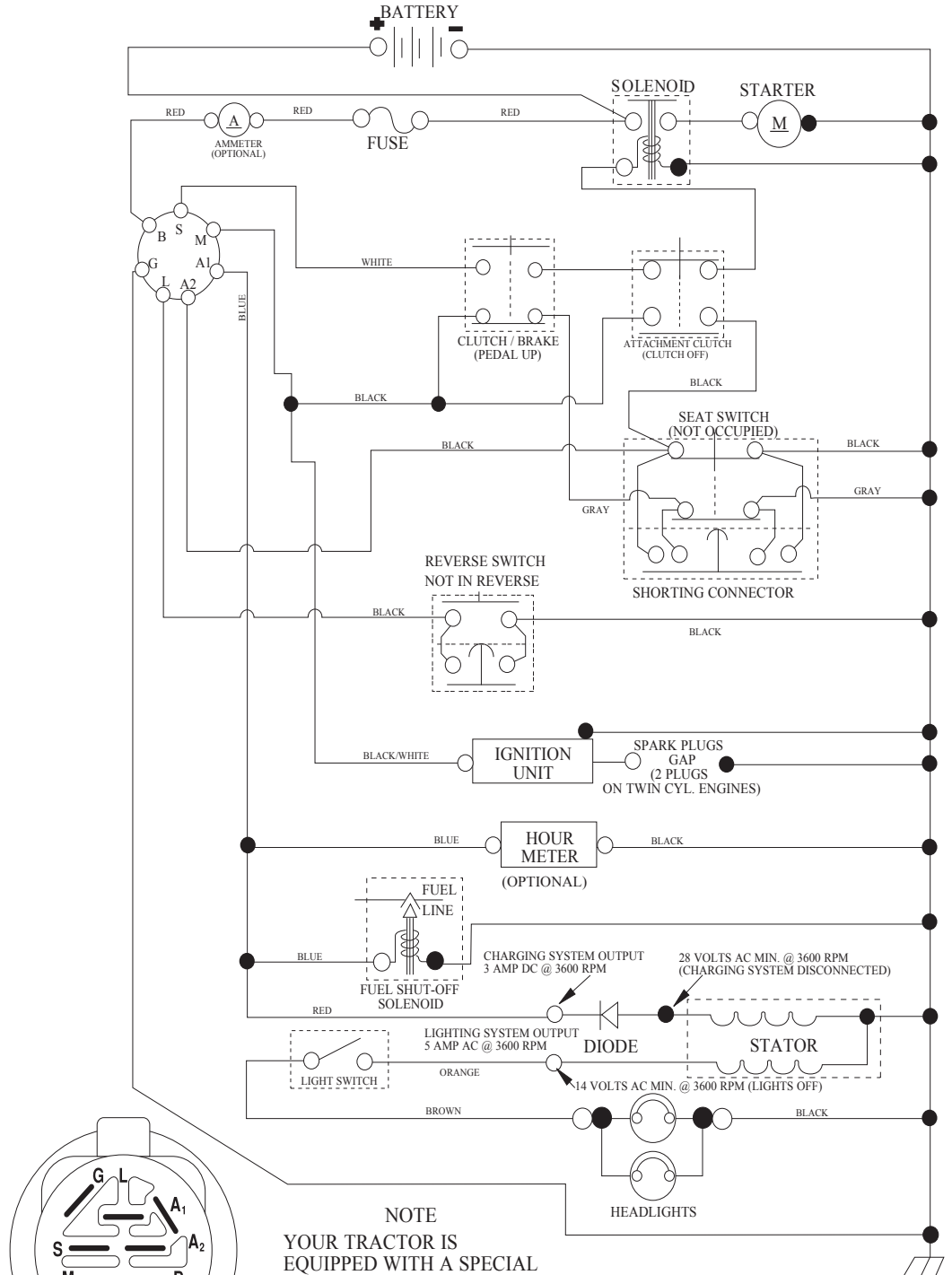
- Product - "Tractor"
- Model Number - "PXT175G42 (96016002600)"
- Part Number
- Part DESCRIPTION

## TABLE OF CONTENTS

SCHEMATIC .....	3
ELECTRICAL.....	4-5
CHASSIS .....	6-7
DRIVE.....	8-9
ENGINE.....	10-11
STEERING .....	12-13
DECALS.....	14
SEAT .....	15
MOWER DECK .....	16-17
MOWER LIFT.....	18
WARRANTY.....	BACK PAGE

# TRACTOR -- MODEL NUMBER PXT175G42 (96016002600), PRODUCT NO. 960 16 00-26 SCHEMATIC

SCH03



IGNITION SWITCH

POSITION	CIRCUIT	"MAKE"
OFF	M+G+A1	
RUN/OVERRIDE	B+A1	
RUN	B+A1	L+A2
START	B + S + A1	

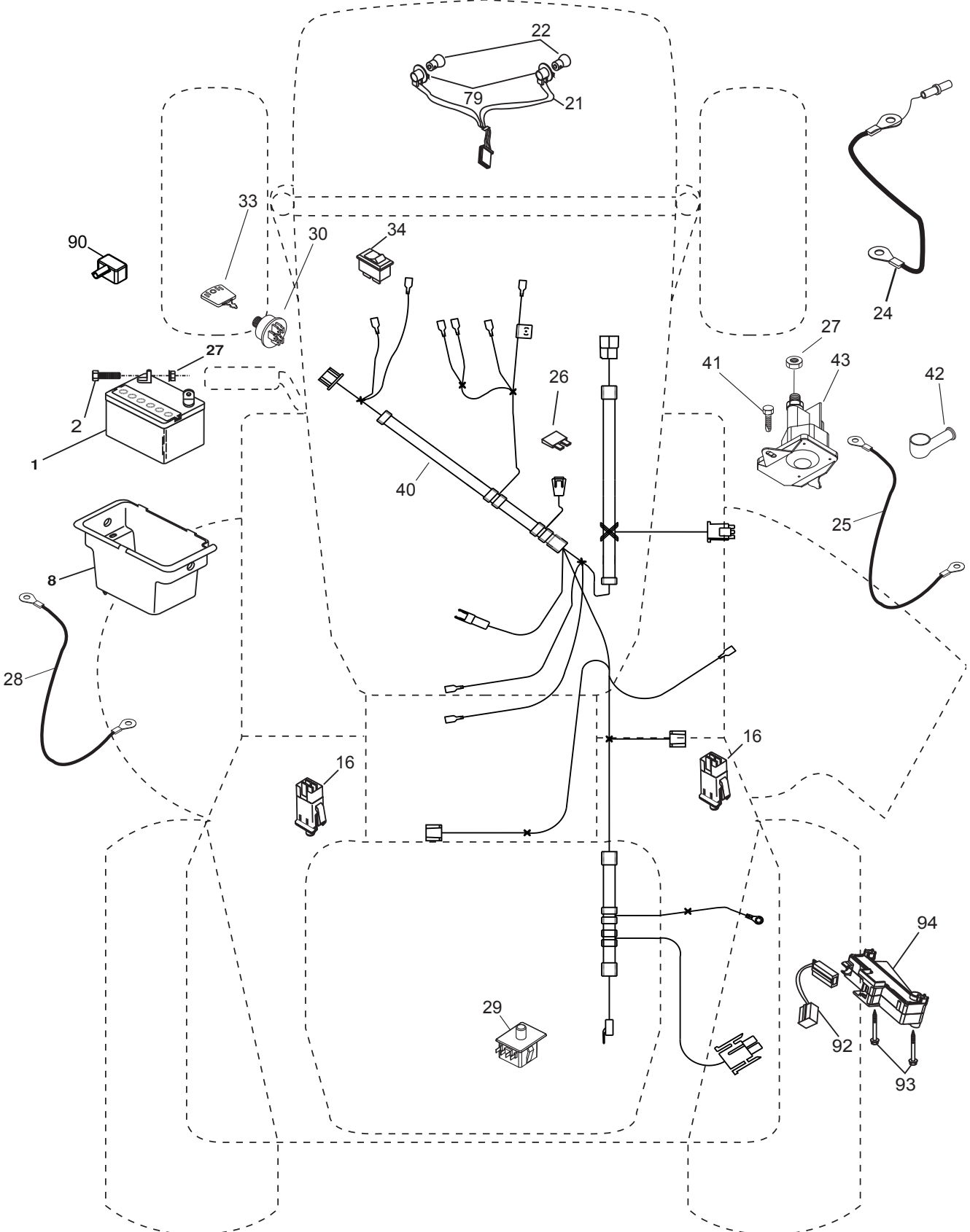
**NOTE**  
YOUR TRACTOR IS EQUIPPED WITH A SPECIAL ALTERNATOR SYSTEM. THE LIGHTS ARE NOT CONNECTED TO THE BATTERY, BUT HAVE THEIR OWN ELECTRICAL SOURCE. BECAUSE OF THIS, THE BRIGHTNESS OF THE LIGHTS WILL CHANGE WITH ENGINE SPEED. AT IDLE THE LIGHTS WILL DIM. AS THE ENGINE IS SPEEDED UP, THE LIGHTS WILL BECOME THEIR BRIGHTEST.



**WIRING INSULATED CLIPS**  
NOTE: IF WIRING INSULATED CLIPS WERE REMOVED FOR SERVICING OF UNIT, THEY SHOULD BE RE-INSTALLED TO PROPERLY SECURE YOUR WIRING.

TRACTOR-- MODEL NUMBER PXT175G42 (96016002600), PRODUCT NO. 960 16 00-26  
ELECTRICAL

L02

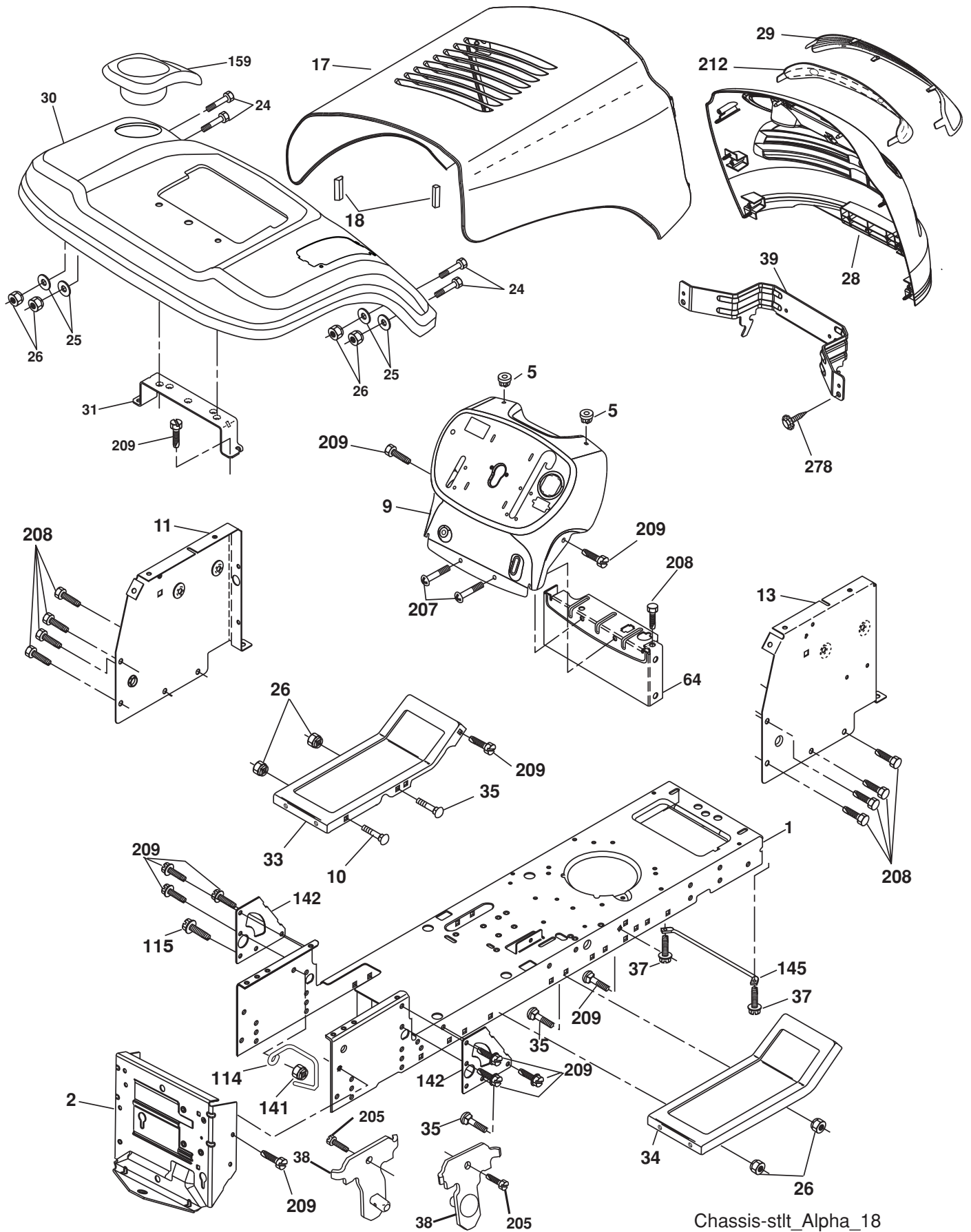


**TRACTOR -- MODEL NUMBER PXT175G42 (96016002600), PRODUCT NO. 960 16 00-26  
ELECTRICAL**

<b>KEY NO.</b>	<b>PART NO.</b>	<b>DESCRIPTION</b>
1	532 16 34-65	Battery 12 Volt 25 Amp
2	874 76 04-12	Bolt Hex Hd 1/4-20 Unc x 3/4
8	532 17 66-89	Battery Box
16	532 17 61-38	Switch Interlock Push-In
21	532 17 56-88	Harness Asm. Light
22	532 00 41-52	Bulb Light
24	532 42 12-99	Cable Battery 6 Ga. 11"red
25	532 42 12-97	Cable Battery
26	532 17 51-58	Fuse
27	873 51 04-00	Nut Keps Hex 1/4-20 unc
28	532 42 12-98	Cable Ground 6 Ga. 12"black
29	532 19 27-49	Switch Seat
30	532 19 33-50	Switch Ign
33	532 41 19-35	Key/Chain
34	532 11 07-12	Switch Light
40	532 19 74-28	Harness Ign
41	871 11 04-08	Bolt Blk Fin Hex 1/4-20
42	532 13 15-63	Cover Terminal Red
43	532 19 25-07	Solenoid
79	532 17 52-42	Socket Asm Bulb
90	532 43 53-95	Cover Terminal Battery
92	532 19 66-15	Harness Pigtail
93	532 19 25-40	Screw Plastic 10-14 x 2.0
94	532 19 18-34	Module Reverse

**NOTE:** All component dimensions given in U. S. inches  
1 inch = 25.4 mm.

**TRACTOR-- MODEL NUMBER PXT175G42 (96016002600), PRODUCT NO. 960 16 00-26  
CHASSIS AND ENCLOSURES**

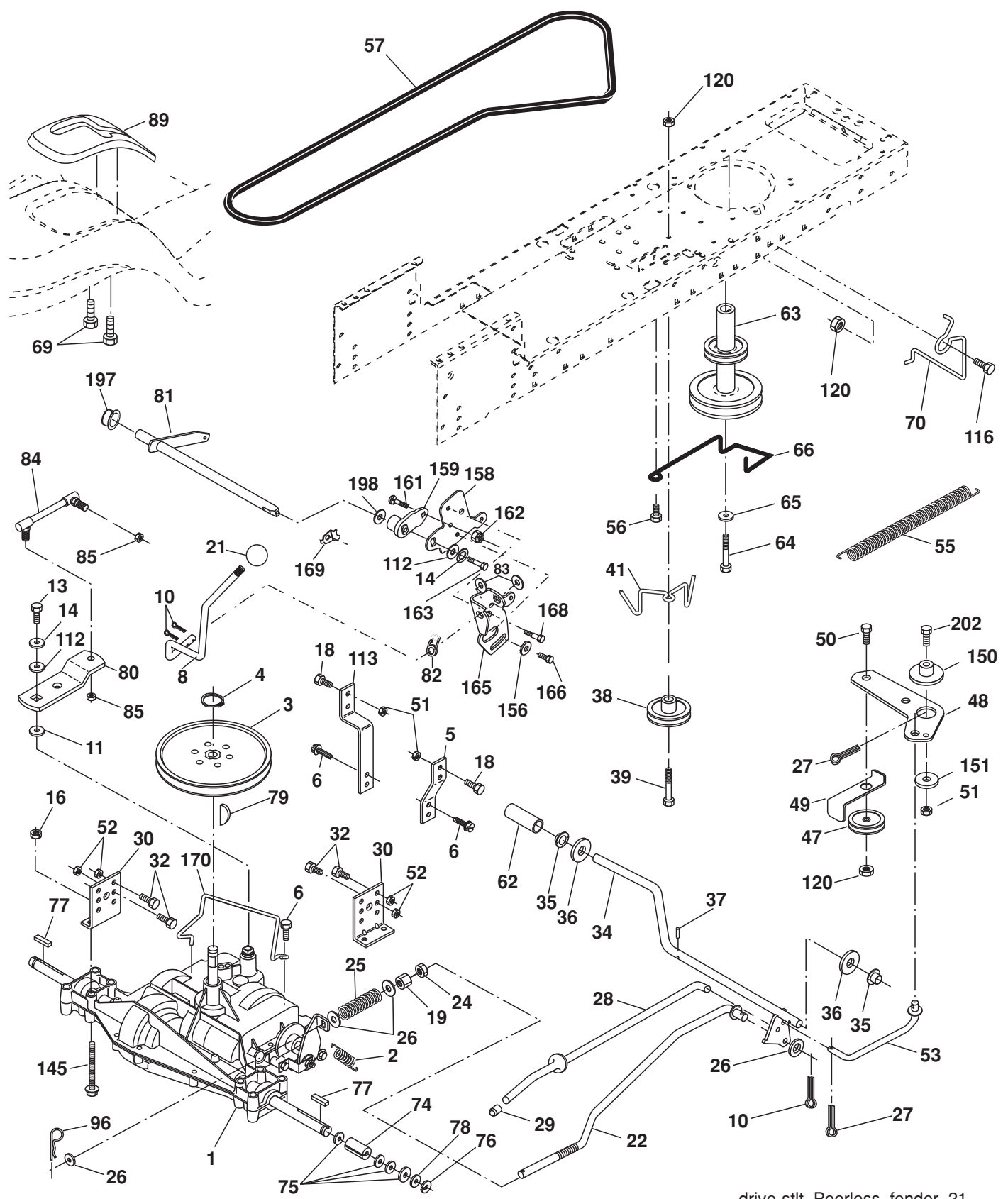


**TRACTOR -- MODEL NUMBER PXT175G42 (96016002600), PRODUCT NO. 960 16 00-26  
CHASSIS AND ENCLOSURES**

<b>KEY NO.</b>	<b>PART NO.</b>	<b>DESCRIPTION</b>
1	532 17 46-19	Chassis
2	532 17 65-54	Drawbar
5	532 15 52-72	Bumper, Hood/Dash
9	532 43 33-53	Dash
10	872 14 06-08	Bolt, Carriage 3/8-16 x 1
11	532 17 49-96	Panel Dash LH
13	532 18 17-19	Panel Slkscr Dash RH
17	532 44 15-09	Hood
18	532 18 49-21	Bumper Hood
24	874 78 06-16	Bolt Fin Hex 3/8-16 unc x 1 Gr. 5
25	819 13 13-12	Washer 13/32 x 13/16 x 12 Ga.
26	873 80 06-00	Nut Lock Hex w/lns 3/8-16 unc
28	532 42 67-41	Grille
29	532 19 54-02	Lens
30	532 44 22-13	Fender
31	532 13 66-19	Bracket Fender Repl 109873x
33	532 44 15-19	Footrest Pnt LH
34	532 44 15-18	Footrest Pnt RH
35	872 11 06-06	Bolt Rdhd Sht Sqnk 3/8-16 x 3/4
37	817 49 05-08	Screw Thdrol 5/16-18 x 1/2 TYT
38	532 17 57-10	Bracket Asm. Pivot Mower Rear
39	532 18 75-68	Bracket Pivot
64	532 15 47-98	Dash Lower
114	532 15 81-12	Keeper Belt LH Rear
115	817 06 06-20	Screw 3/8-16 x 1-1/4
141	873 90 06-00	Nut Lock 3/8-16
142	532 17 57-02	Plate Reinforcement
145	532 40 91-67	Rod Pivot Chassis/Hood
159	532 18 56-35	Cupholder
205	817 49 06-08	Screw Thdrol 3/8-16 x 1/2
207	817 67 05-08	Screw Thdrol 5/16-18 x 1/2
208	817 67 06-08	Screw Thdrol 3/8-16 x 1/2
209	817 00 06-12	Screw Hex Wsh Thdrol 3/8-16
212	532 18 75-69	Insert Reflective
278	532 41 63-58	Screw #10 x 0.750 BOS Thread
--	532 00 54-79	Plug Button Blk 359 Dia Choke
--	532 18 78-01	Plug Dome Plasitc (Choke Hole)

**NOTE:** All component dimensions given in U.S. inches  
1 inch = 25.4 mm.

TRACTOR -- MODEL NUMBER PXT175G42 (96016002600), PRODUCT NO. 960 16 00-26  
DRIVE



drive-stlt\_Peerless\_fender\_21

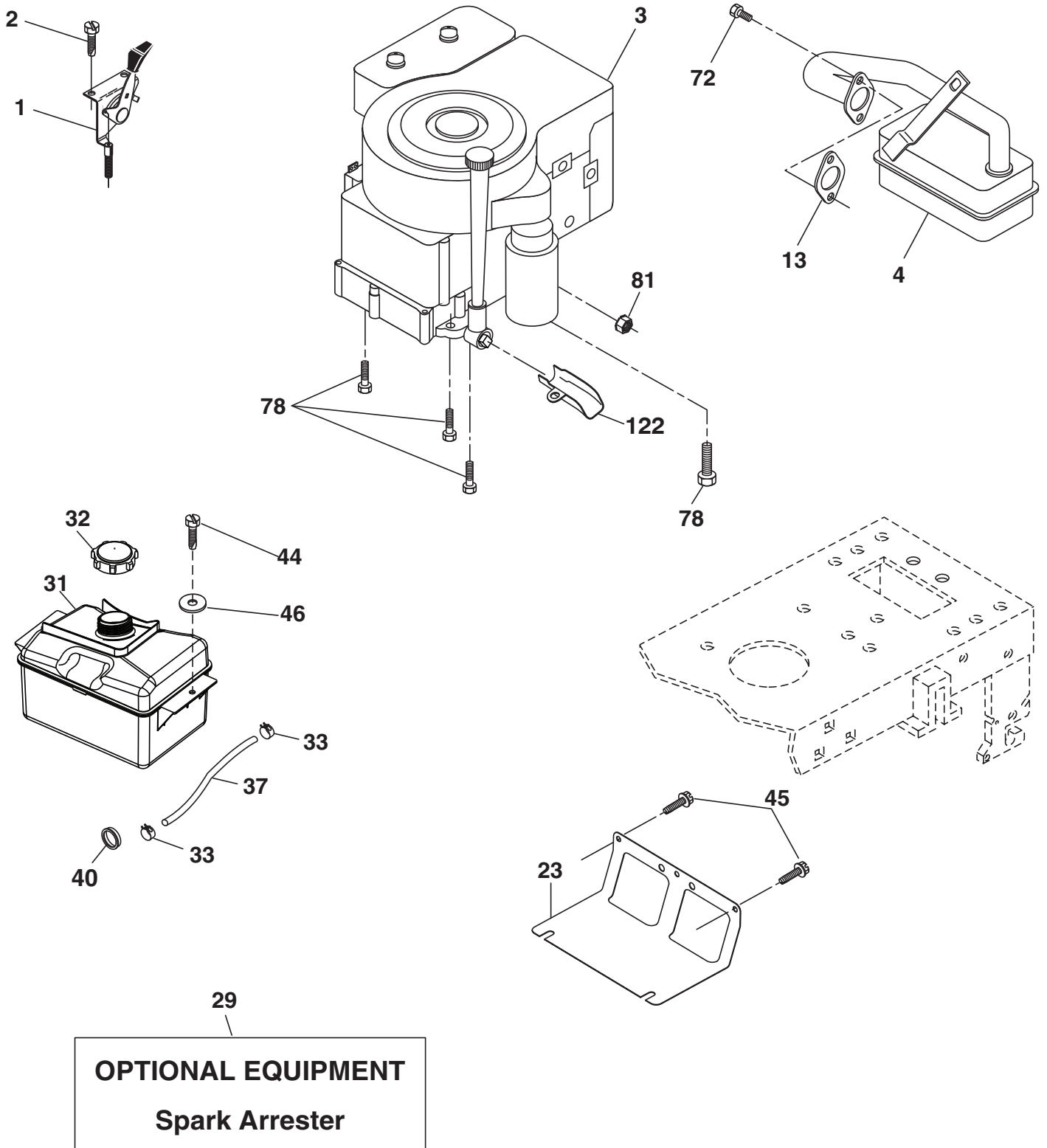


# TRACTOR -- MODEL NUMBER PXT175G42 (96016002600), PRODUCT NO. 960 16 00-26 DRIVE

KEY NO.	PART NO.	DESCRIPTION	KEY NO.	PART NO.	DESCRIPTION
1	-----	Transaxle Peerless 206-545C	65	810 04 07-00	Washer Lock Hvy Hlcl Spr 7/16
2	532 14 66-82	Spring Return Brake T/a Zinc	66	532 15 47-78	Keeper Belt Engine Foolproof
3	532 12 36-66	Pulley Transaxle 18" tires	69	532 14 24-32	Screw Hex 1/4-1/2 unc
4	812 00 00-28	Ring Retainer # 5100-62	70	532 13 46-83	Guide Belt Mower Drive RH
5	532 12 15-20	Strap Torque 30 Degrees	74	532 13 70-57	Spacer Axle
6	817 06 05-12	Screw 5/16-18 x 3/4	75	532 12 17-49	Washer 25/32 x 1 1/4 x 16 Ga.
8	532 19 27-06	Rod Shift Fender Adjust Lt	76	812 00 00-01	E-ring #5133-75
10	876 02 04-16	Pin Cotter 1/8 x 1 Cad	77	532 12 35-83	Key Square 2 0 x 1845/ 1865
11	532 10 57-01	Washer Plate Shf 388 Sq Hole	78	532 12 17-48	Washer 25/32 x 1-5/8 x 16 Ga.
13	874 55 04-12	Bolt 1/4-28 unF Gr. 8 W/Patch	79	532 12 50-96	Key Woodruff #9 3/16 x 3/4
14	810 04 04-00	Washer Lock Hvy Helical	80	532 14 50-90	Arm Shift
16	873 80 05-00	Nut Lock Hex w/Ins 5/16-18	81	532 16 55-92	Shaft Asm Cross
18	874 78 06-16	Bolt, Fin Hex 3/8-16 unc x 1 Gr. 5	82	532 16 57-11	Spring Torsion T/a
19	873 80 06-00	Nut Lock 3/8-16 unc	83	819 17 12-16	Washer 17/32 x 3/4 x 16 Ga.
21	532 10 69-33	Knob	84	532 16 62-31	Link Transaxle
22	532 13 08-04	Rod Brake Blk Zinc 26 840	85	532 15 03-60	Nut Lock Center 1/4 - 28 FNTHD
24	873 35 06-00	Nut Hex Jam 3/8-16 unc	89	532 19 49-71	Console Shift STLT
25	532 10 68-88	Spring Rod Brake 2 00 Zinc	96	532 12 47-88	Retainer Spring 1"
26	819 13 13-16	Washer 13/32 x 13/16 x 16 Ga.	112	819 09 12-10	Washer 9/32 x 3/4 x 10 Ga.
27	876 02 04-12	Pin Cotter 1/8 x 3/4 Cad	113	532 12 72-85	Strap Torque LT
28	532 17 57-65	Rod Brake Parking LT/YT	116	872 14 06-08	Bolt Rdhd Sq Neck 3/8-16 x 1.0
29	532 07 16-73	Cap Brake Parking Black	120	873 90 06-00	Nut Lock Flg. 3/8-16 unc
30	532 16 95-92	Bracket Mtg Transaxle	145	874 49 05-40	Bolt 5/16-18 x 2-1/2 Gr. 5
32	874 76 05-12	Bolt Hex Hd 5/16-18 unc x 3/4	150	532 17 54-56	Spacer
34	532 17 55-78	Shaft Asm Pedal Foot	151	819 13 32-10	Washer 13/32 x 2 x 10 Ga.
35	532 12 01-83	Bearing Nylon Blk 629 Id	156	532 16 60-02	Washer Srrted 5/16 ID x 1.125
36	819 21 16-16	Washer 21/32 x 1 x 16 Ga.	158	532 43 74-58	Bracket Shift Mount
37	532 12 49-63	Pin Roll 3/16 x 1"	159	532 18 39-00	Hub Shift
38	532 17 91-14	Pulley Idler Composite	161	872 14 04-06	Bolt Rdhd Sqnk 1/4-20 x 3/4 Gr. 5
39	872 11 06-22	Bolt Fin Hex 3/8-16 unc x 2-3/4 Gr. 5	162	873 68 04-00	Nut Crownlock 1/4-20 unc
41	532 17 55-56	Keeper Belt Idler Flat	163	874 78 04-16	Bolt Hex Fin 1/4-20 unc x 1 Gr. 5
47	532 12 77-83	Pulley Idler V Groove Plastic	165	532 43 82-50	Bracket Pivot Lever
48	532 15 44-07	Bellcrank Clutch Grnd Driv	166	817 49 05-10	Screw 5/16-18 x 5/8
49	532 12 32-05	Retainer Belt Style Spring	168	532 16 54-92	Bolt Shoulder 5/16-18 x .561
50	872 11 06-12	Bolt 3/8-16 x 1-1/2 Gr. 5	169	532 16 55-80	Plate Fastening
51	873 68 06-00	Nut Crownlock 3/8-16 unc	170	532 18 74-14	Keeper, Belt T/A
52	873 68 05-00	Nut Crownlock 5/16-18 unc	197	532 16 96-13	Nyliner Snap-In
53	532 19 96-52	Link Clutch	198	532 16 95-93	Washer Nyl
55	532 10 57-09	Spring Return Clutch 6 75	202	872 11 06-14	Bolt Carr. SH 3/8-16 x 1-3/4 Gr. 5
56	817 06 06-20	Screw 3/8-16 x 3/4			
57	532 13 82-55	V-Belt Ground Drive 95 25			
62	532 12 48-72	Cover Pedal Round			
63	532 17 54-10	Engine Pulley			
64	532 17 39-37	Bolt Hex			

**NOTE:** All component dimensions given in U.S. inches  
1 inch = 25.4 mm.

**TRACTOR -- MODEL NUMBER PXT175G42 (96016002600), PRODUCT NO. 960 16 00-26  
ENGINE**



engine-stlt\_bs\_16

**TRACTOR -- MODEL NUMBER PXT175G42 (96016002600), PRODUCT NO. 960 16 00-26  
ENGINE**

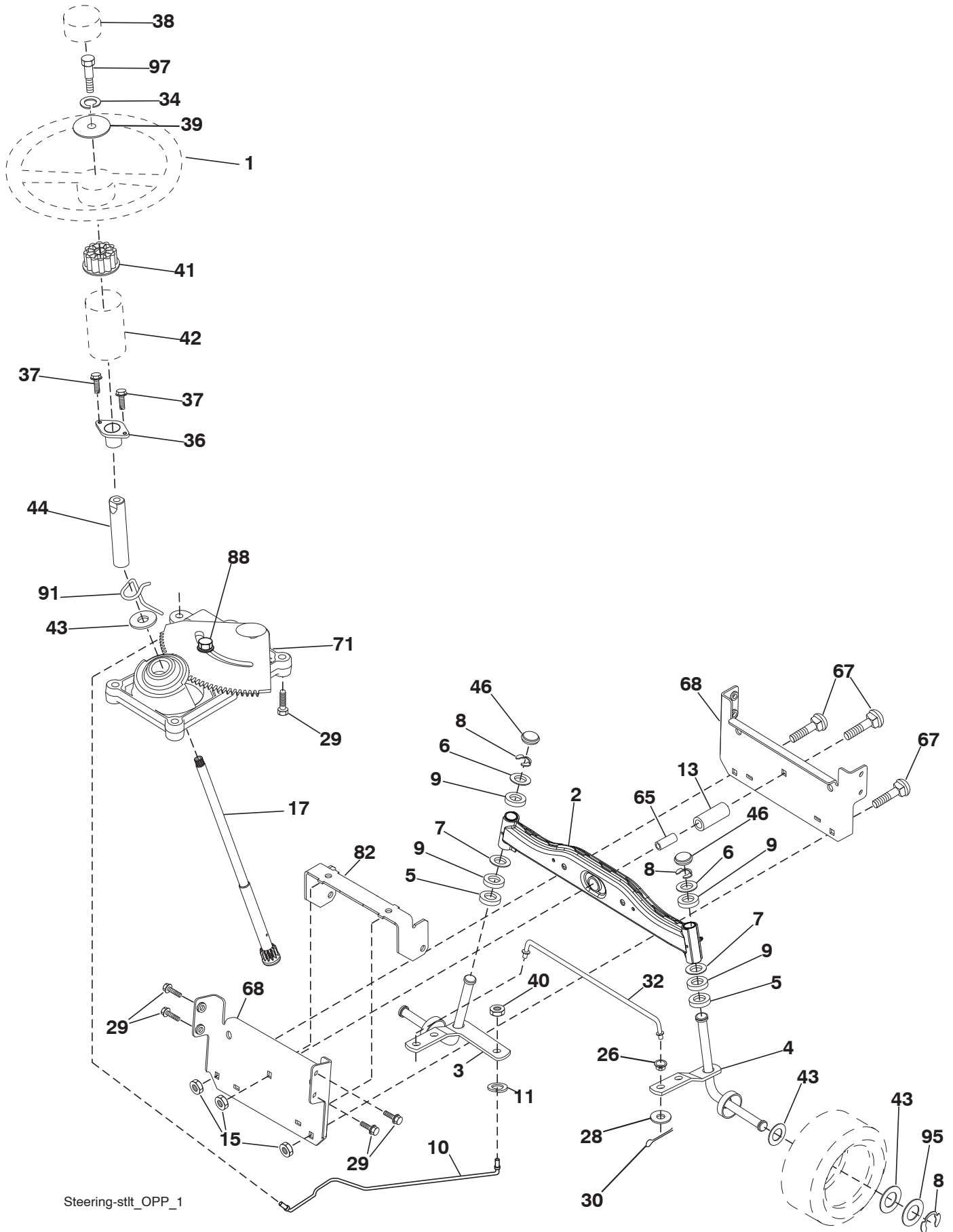
<b>KEY NO.</b>	<b>PART NO.</b>	<b>DESCRIPTION</b>
1	532 17 05-51	Control Throttle /Choke
2	817 72 04-08	Screw Hex Thd Cut 1/4-20 x 5/8 T
3	-----	Engine Briggs Model 31C707-3487-G1
4	532 13 73-52	Muffler Exhaust
13	532 16 52-91	Gasket
23	532 16 98-37	Shield Browning/Debris Guard
29	532 13 71-80	Arrestor Spark
31	532 40 75-45	Tank Fuel
32	532 43 02-20	Cap Asm Fuel
33	532 12 34-87	Clamp Hose Blk
37	532 13 70-40	Line Fuel
40	532 12 40-28	Bushing Snap
44	817 67 04-12	Screw Hexwsh Thdrol 3/8-16 x 3/4
45	817 00 06-12	Screw 3/8-16 x 3/4
46	819 09 14-16	Washer 9/32 x 7/8 x 16 Ga.
72	532 19 23-34	Screw Socket Hd 5/16-18 x .75
78	817 06 06-20	Screw 3/8-16 x 1-1/4
81	873 51 04-00	Nut Keps Hex 1/4-20 unc
122	532 42 19-22	Extension Drain Oil

**NOTE:** All component dimensions given in U.S. inches  
1 inch = 25.4 mm

**Engine Power Rating Information**

The gross power rating for individual gas engine models is labeled in accordance with SAE (Society of Automotive Engineers) code J1940 (Small Engine Power & Torque Rating Procedure), and rating performance has been obtained and corrected in accordance with SAE J1995 (Revision 2002-05). Torque values are derived at 3060 RPM; horsepower values are derived at 3600 RPM. Actual gross engine power will be lower and is affected by, among other things, ambient operating conditions and engine-to-engine variability. Given both the wide array of products on which engines are placed and the variety of environmental issues applicable to operating the equipment, the gas engine will not develop the rated gross power when used in a given piece of power equipment (actual “on-site” or net power). This difference is due to a variety of factors including, but not limited to, accessories (air cleaner, exhaust, charging, cooling, carburetor, fuel pump, etc.), application limitations, ambient operating conditions (temperature, humidity, altitude), and engine-to-engine variability. Due to manufacturing and capacity limitations, Briggs & Stratton may substitute an engine of higher rated power for this Series engine.

TRACTOR-- MODEL NUMBER PXT175G42 (96016002600), PRODUCT NO. 960 16 00-26  
STEERING



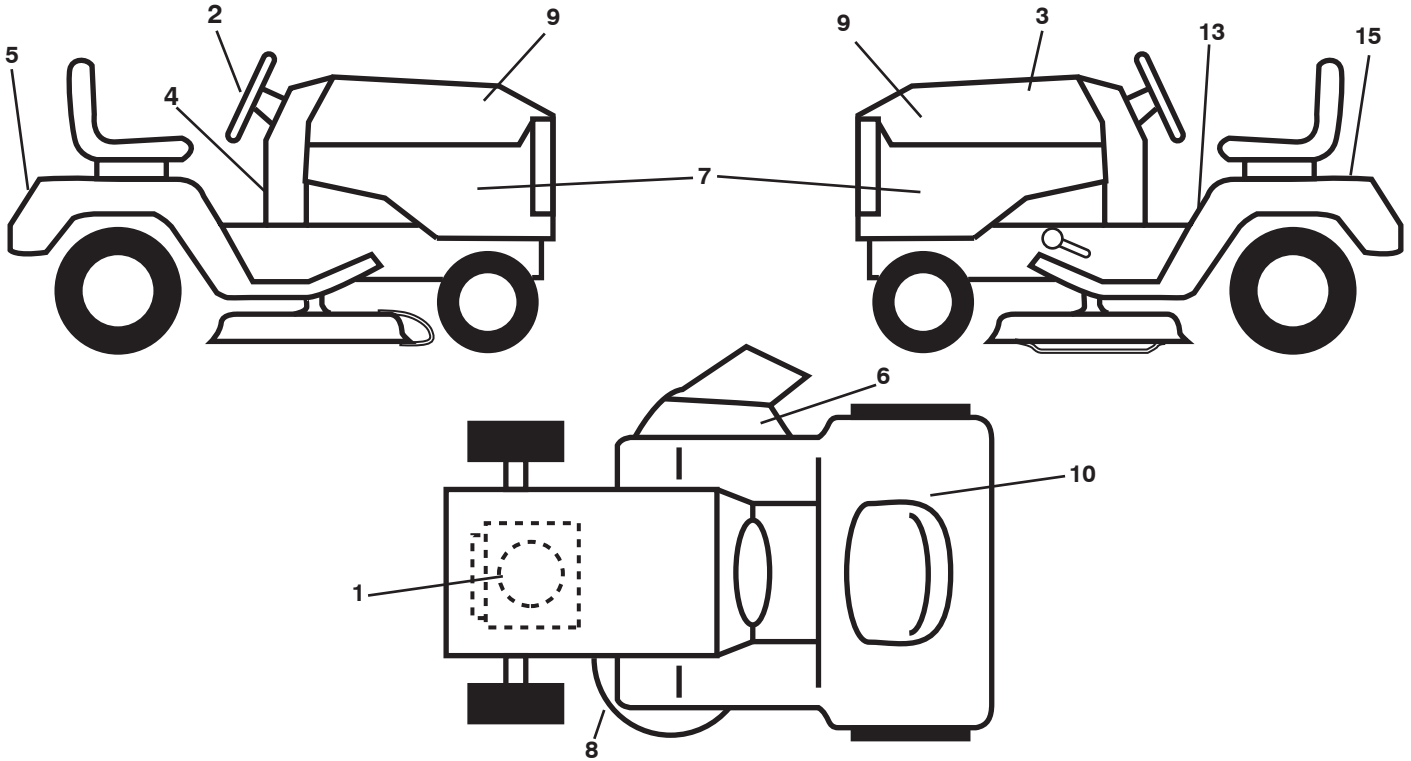
Steering-stlt OPP\_1

**TRACTOR -- MODEL NUMBER PXT175G42 (96016002600), PRODUCT NO. 960 16 00-26  
STEERING**

<b>KEY NO.</b>	<b>PART NO.</b>	<b>DESCRIPTION</b>
1	532 18 67-80	Wheel Steering
2	532 41 81-68	Axle Asm
3	532 16 98-40	Spindle Asm LH
4	532 16 98-39	Spindle Asm RH
5	532 12 49-31	Bearing Race Thrust Harden
6	532 12 17-48	Washer 25/32 x 1-5/8 x 16 Ga.
7	819 27 20-16	Washer 27/32 x 1-1/4 x 16 Ga.
8	812 00 00-29	Ring Klip #t5304-75
9	532 12 49-37	Bearing Col Strg Blk
10	532 17 51-21	Link Drag
11	810 04 06-00	Washer Lock Hvy Hlcl Spr 3/8
13	532 13 65-18	Spacer earing Axle Front
15	873 90 06-00	Nut Lock 3/8-16 unc
17	532 41 13-86	Shaft Asm Strg
26	532 12 68-47	Bushing Link Drag Blk LR
28	819 13 14-16	Washer 13/32 x 7/8 x 16 Ga.
29	817 00 06-12	Screw 3/8-16 x 3/4
30	876 02 04-12	Pin Cotter 1/8 x 3/4 Cad
32	532 19 27-57	Rod Tie Wire Form
34	810 04 05-00	Washer Lock Hvy HLCL Spr. 5/16
36	532 15 50-99	Bushing Strg 5/8 Id Dash
37	532 15 29-27	Screw
38	532 19 29-16	Cap Wheel Steer
39	819 11 38-12	Washer 11/32 ID x 2-3/8OD 12 Ga.
40	873 54 06-00	Nut Crownlock 3/8-24
41	532 18 67-37	Adaptor Wheel Strg
42	532 16 96-33	Boot Steering
43	532 12 17-49	Washer 25/32 x 1 1/4 x 16 Ga.
44	532 19 07-52	Extension Steering
46	532 12 12-32	Cap Spindle Fr Top Blk
65	532 41 47-36	Spacer Brace Axle
67	872 11 06-18	Bolt RdHd Sqnk 3/8-16 x 2-1/4
68	532 16 98-27	Brace Axle
71	532 17 51-46	Steering Asm
82	532 19 99-78	Bracket Susp Chassis Front
88	532 17 51-18	Bolt shoulder 7/16-20
91	532 17 55-53	Clip Steering
95	532 18 89-67	Washer Hardened
97	532 42 89-82	Bolt Fin Hex 5/16-18 x 4 w/Patch

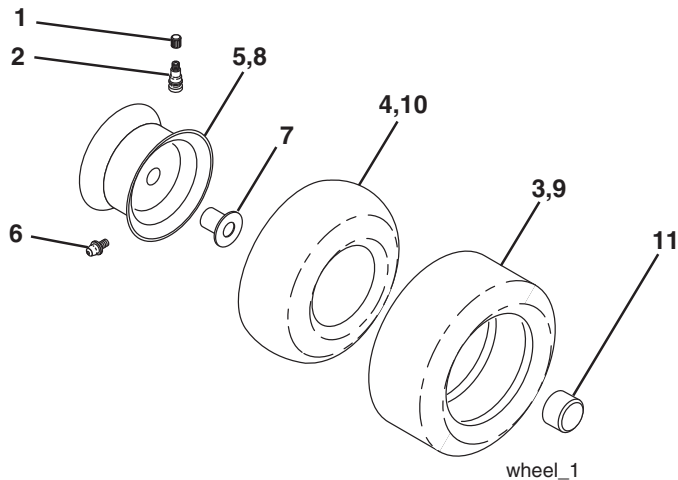
**NOTE:** All component dimensions given in U.S. inches  
1 inch = 25.4 mm.

**TRACTOR -- MODEL NUMBER PXT175G42 (96016002600), PRODUCT NO. 960 16 00-26  
DECALS**



KEY NO.	PART NO.	DESCRIPTION	KEY NO.	PART NO.	DESCRIPTION
1	532 43 10-92	Decal, Engine HP	10	532 43 13-75	Decal, Fender Service
2	532 43 88-35	Decal, Steering Wheel	13	532 41 16-58	Decal, Warning
3	532 43 88-09	Decal, Replacement	15	532 14 50-05	Decal, Caution, Battery
4	532 43 52-86	Decal, Warning	--	532 13 83-11	Decal, Handle Lft Height Adj.
5	532 43 88-31	Decal, Fender	--	532 18 10-90	Pad Footrest RH
6	532 17 05-63	Decal, Mower Warning	--	532 18 10-91	Pad Footrest LH
7	532 43 88-41	Decal, Side Panel	--	532 44 10-86	Manual Operator's Eng/French
8	532 16 03-96	Decal, V-Belt Sch.	--	532 44 10-87	Manual Parts
9	532 43 88-34	Decal, Hood RH/LH			

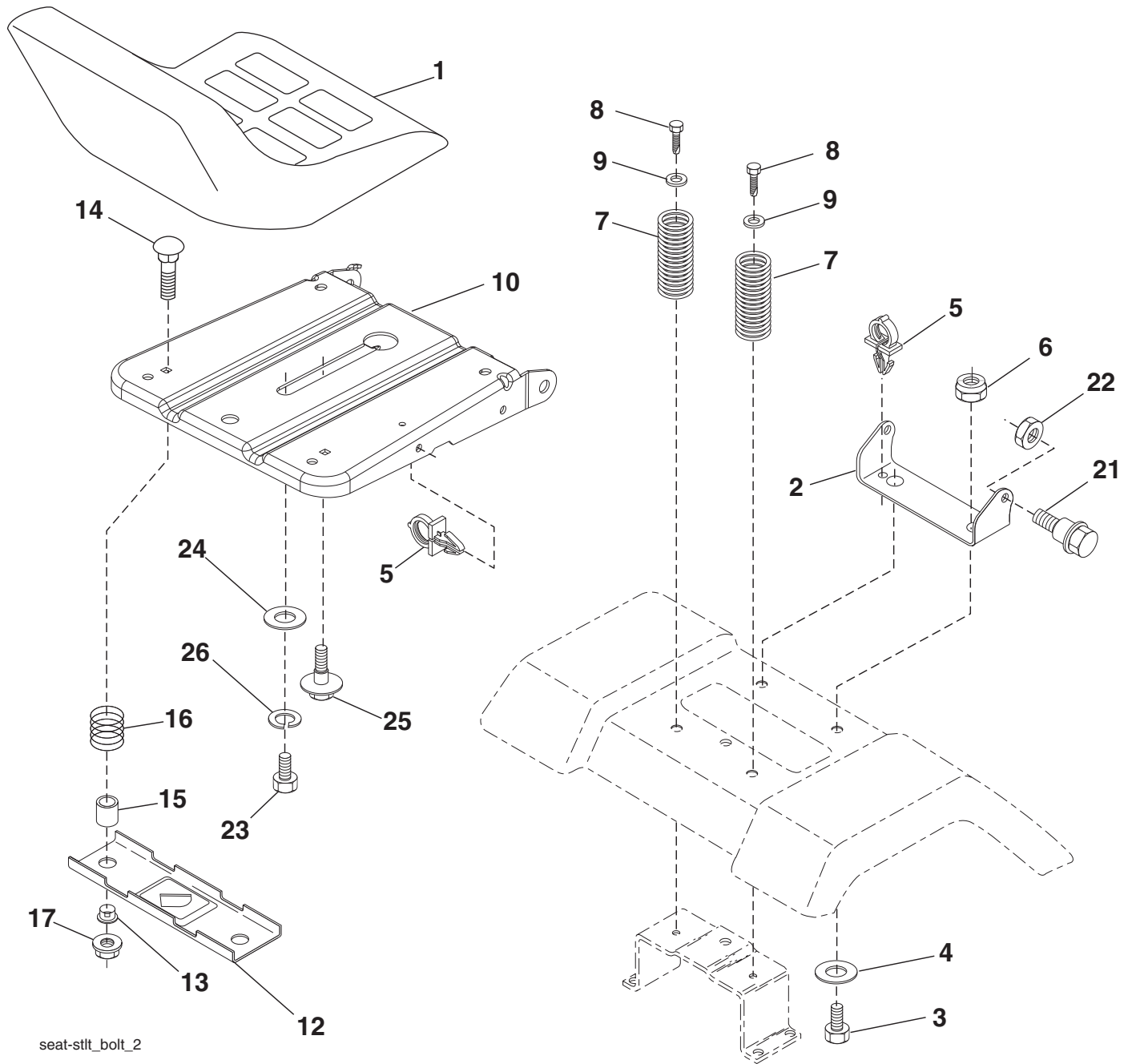
**WHEELS & TIRES**



KEY NO.	PART NO.	DESCRIPTION
1	532 05 91-92	Cap, Tire valve
2	532 06 51-39	Stem, Valve
3	532 10 62-22	Tire, Front
4	532 05 99-04	Tube, Front (Service item only)
5	532 43 93-33	Rim assembly, Front
6	532 12 49-57	Fitting, Grease (Front wheel only)
7	532 12 49-59	Bearing, Flange (Front wheel only)
8	532 43 93-34	Rim assembly, Rear
9	532 13 84-68	Tire, Rear
10	532 12 49-26	Tube, Rear (Service item only)
11	532 17 50-39	Cap, Hub Axle
--	532 14 43-34	Sealant, Tire (10 oz. Tube)

**NOTE:** All component dimensions given in U.S. inches  
1 inch = 25.4 mm

**TRACTOR -- MODEL NUMBER PXT175G42 (96016002600), PRODUCT NO. 960 16 00-26 SEAT**



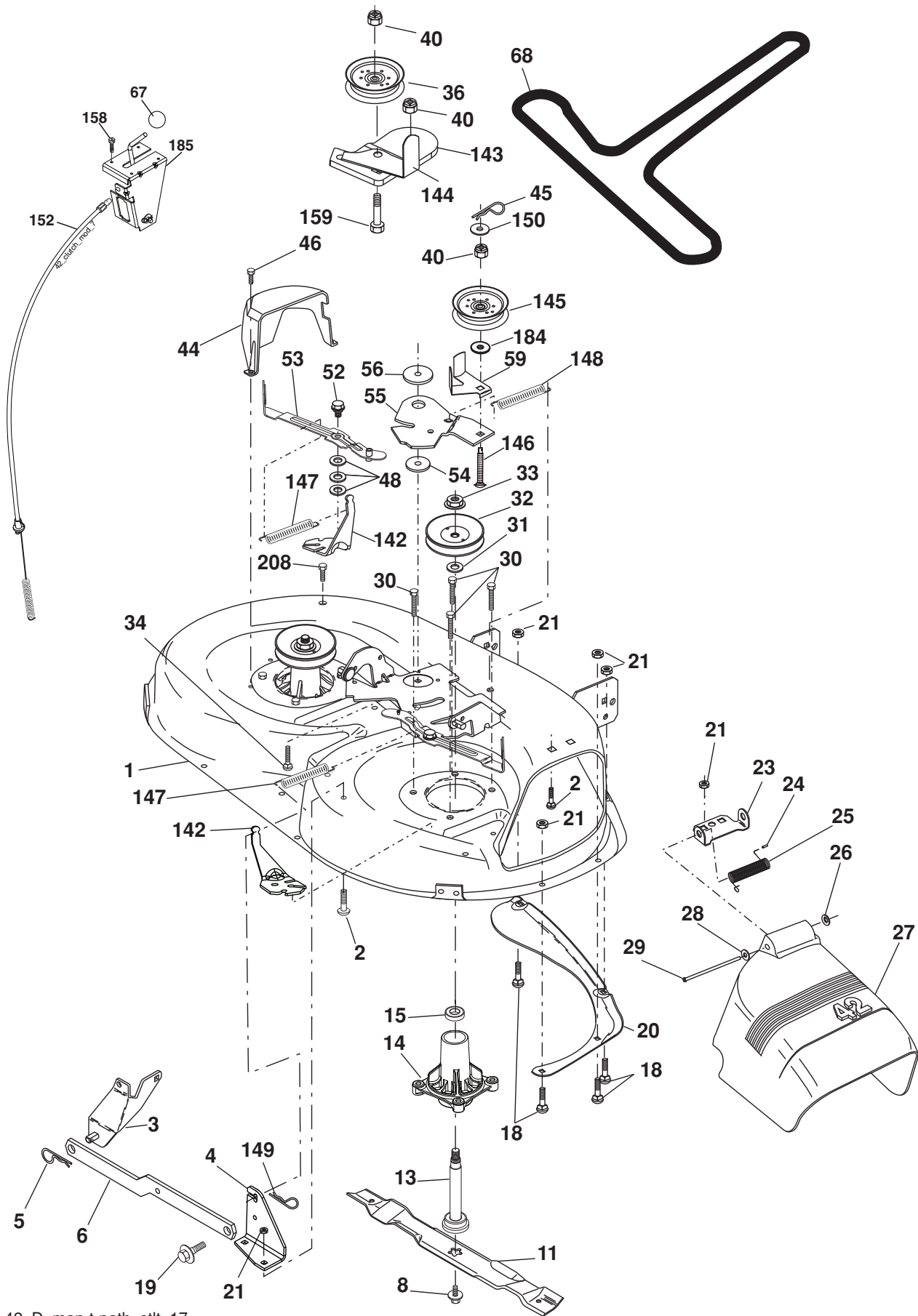
seat-stlt\_bolt\_2

KEY NO.	PART NO.	DESCRIPTION
1	532 40 10-42	Seat
2	532 14 05-51	Bracket Seat Pivot
3	871 11 06-16	Bolt Hex 3/8 - 16 x 1
4	819 13 16-10	Washer 13/32 x 1 x 10 Ga.
5	532 14 50-06	Clip Push-In Hinged
6	873 80 06-00	Nut Lock Hex w/Ins 3/8 - 16
7	532 12 41-81	Spring Seat Cprsn 2 250 Blk Zi
8	817 00 06-16	Screw 3/8-16 x 1.5
9	819 13 16-14	Washer 13/32 x 1 x 14 Ga.
10	532 19 55-30	Pan Asm. Seat
12	532 17 46-48	Bracket Pnt Mounting Switch
13	532 12 12-48	Bushing Snap Blk Nyl
14	872 05 04-12	Bolt Rdhd Sht Nk 1/4 - 20 x 1 -1/2

KEY NO.	PART NO.	DESCRIPTION
15	532 13 43-00	Spacer Split .28 x .96
16	532 12 12-50	Spring Cprsn
17	532 12 39-76	Nut Lock 1/4 Lge Flg
21	532 17 18-52	Bolt Shoulder 5/16-18 unc-2A
22	873 80 05-00	Nut Lock Hex w/Ins 5/16 - 18
23	871 11 08-14	Bolt Hex
24	819 17 19-12	Washer 17/32 x 1-3/16 x 12 Ga.
25	532 12 70-18	Bolt Shoulder 5/16-18 x .62
26	810 04 08-00	Washer Lock

**NOTE:** All component dimensions given in U.S. inches  
1 inch = 25.4 mm.

# TRACTOR-- MODEL NUMBER PXT175G42 (96016002600), PRODUCT NO. 960 16 00-26 MOWER DECK



42\_D\_man-t-path\_stft\_17

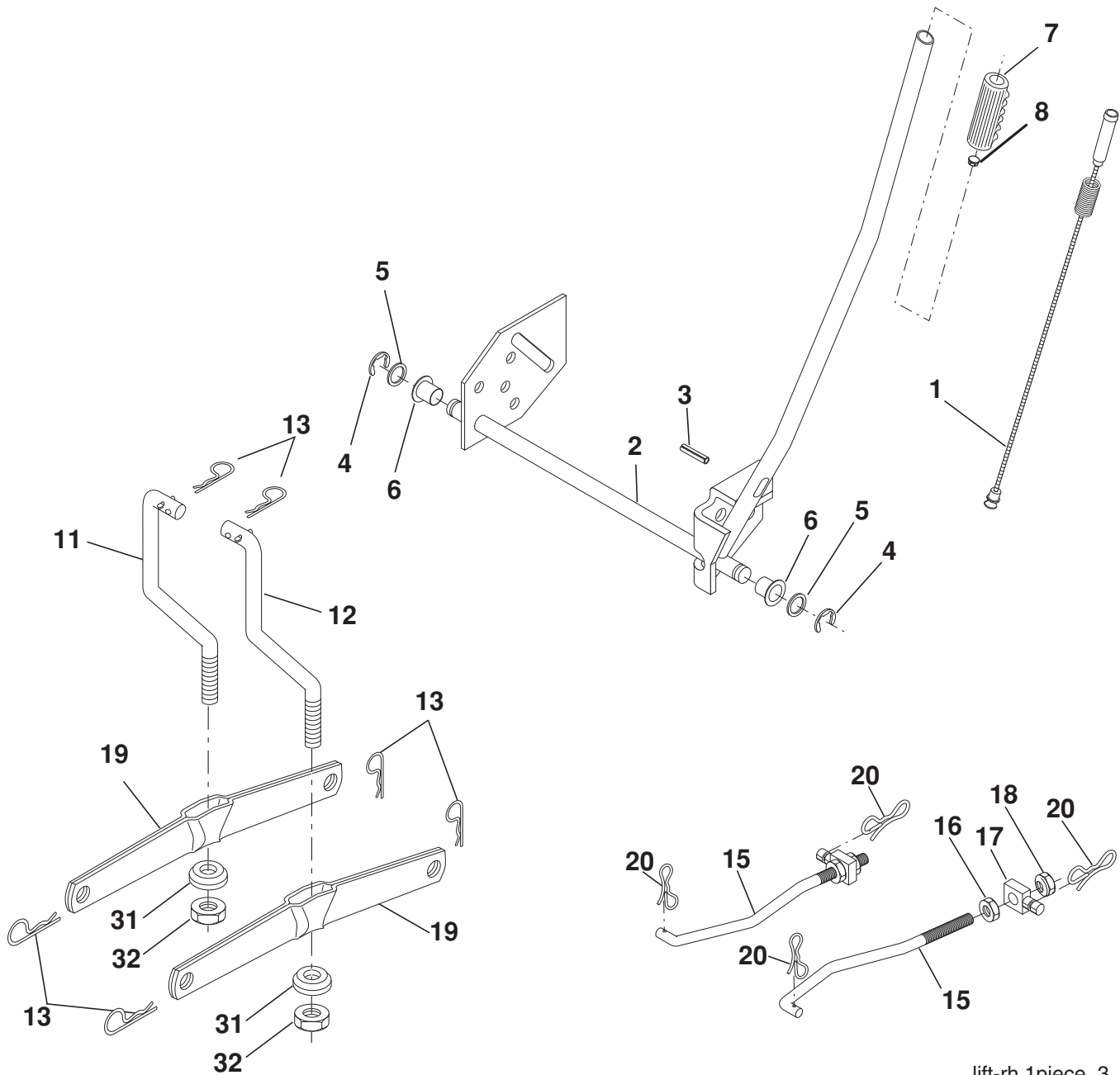


**TRACTOR -- MODEL NUMBER PXT175G42 (96016002600), PRODUCT NO. 960 16 00-26  
MOWER DECK**

KEY NO.	PART NO.	DESCRIPTION	KEY NO.	PART NO.	DESCRIPTION
1	532 16 58-92	Mower Deck Assembly, 42"	48	532 13 39-44	Washer, Hardened
2	872 14 05-06	Bolt	52	532 13 98-88	Bolt, Shoulder 5/16-18 unc
3	532 13 80-17	Bracket Asm Fr. Sway Bar 3/42	53	532 18 49-07	Arm Assembly, Pad, Brake
4	532 16 54-60	Bracket Asm Deck 42" Sway Bar	54	532 17 85-15	Washer, Hardened
5	532 12 46-70	Retainer Spring	55	532 15 50-46	Arm, Idler
6	532 17 80-24	Bar Sway Deck	56	532 16 57-23	Spacer, Retainer
8	532 19 30-03	Bolt/Washer Asm. 7/16-20 unf (The following Blades are available)	59	532 14 10-43	Guard TUV Idler
11	532 13 89-71	Blade Mower 42" Hi-Lift (for bag- ging and discharging)	67	532 10 69-32	Knob Round
13	532 19 28-72	Shaft Asm. Mandrel	68	532 14 49-59	V-Belt, 42" Mower
14	532 18 72-81	Housing, Mandrel	142	532 19 57-84	Anchor Spring Brake Mower
15	532 11 04-85	Bearing, Ball, Mandrel	143	532 15 71-09	Bracket Arm Idler 42"
18	872 14 05-05	Bolt, Carriage 5/16-18 x 5/8	144	532 15 86-34	Keeper Belt 42" Clutch Cable
19	532 13 28-27	Bolt, Shoulder	145	532 16 58-88	Pulley Idler Flat
20	532 15 97-70	Baffle, Vortex	146	532 17 19-77	Bolt Carriage Idler
21	873 68 05-00	Nut	147	532 13 13-35	Spring Extension
23	532 17 75-63	Bracket, Deflector Mower 42"	148	532 16 90-22	Spring Return Idler
24	532 10 53-04	Cap, Sleeve 80 x 112 Blk Mower	149	532 16 58-98	Retainer Spring Yellow
25	532 12 37-13	Spring, Torsion, Deflector 2 52	150	819 09 12-10	Washer 9/32 x 3/4 x 10 Ga.
26	532 11 04-52	Nut, Push Phos & Oil	152	532 16 96-76	Clutch Cable 42"
27	532 17 18-59	Shield, Deflector	158	817 72 04-08	Screw Hex Thd Cut 1/4-20 x 1/2
28	819 11 10-16	Washer 11/32 x 5/8 x 16 Ga.	159	872 14 06-14	Bolt Rdhd Sqn 3/8-16 unc x 1-3/4
29	532 13 14-91	Rod, Hinge 42" 6 75 W/G	184	819 13 14-10	Washer 13/32 x 7/8 x 10 Ga.
30	532 17 39-84	Screw Thdrol	185	532 18 82-34	Head Asm Cable Clutch
31	532 18 76-90	Washer, Spacer Mower Vented	208	817 67 06-08	Screw THDROL 3/8-16 x 1/2
32	532 15 35-35	Pulley, Mandrel	--	532 19 28-70	Mandrel Assembly (Includes hous- ing, shaft assembly, and bear- ing only - pulley/nut/washer and blade bolt/washers not included)
33	532 40 02-34	Nut, Toplock	--	532 41 80-31	Replacement Mower, Complete
34	872 11 06-12	Bolt Carr SH 3/8-16 x 1-1/2 Gr.5			
36	532 13 14-94	Pulley, Idler, Flat			
40	873 90 06-00	Nut Lock 3/8-16			
44	532 14 00-88	Guard, Mandrel, LH			
45	532 12 47-88	Retainer			
46	532 13 77-29	Screw, Thdrol 1/4-20 x 5/8 T			

**NOTE:** All component dimensions given in U.S. inches  
1 inch = 25.4 mm

**TRACTOR-- MODEL NUMBER PXT175G42 (96016002600), PRODUCT NO. 960 16 00-26  
MOWER LIFT**



lift-rh.1piece\_3

KEY NO.	PART NO.	DESCRIPTION
1	532 40 49-81	Plunger Asm Lift Lever
2	532 15 94-71	Shaft Asm Lift RH
3	532 10 57-67	Pin Groove
4	812 00 00-02	E Ring #5133-62
5	819 21 16-21	Washer 21/32 x 1 x 21 Ga
6	532 12 01-83	Bearing Nylon Blk 629 Id
7	532 10 94-13	Grip Handle
8	532 12 45-26	Button Plunger Black
11	532 13 98-65	Link Lift LH Fixed Length
12	532 13 98-66	Link Lift RH Fixed Length
13	532 12 46-70	Retainer Spring
15	532 17 32-88	Link Front

KEY NO.	PART NO.	DESCRIPTION
16	873 35 08-00	Nut Jam Hex 1/2-13 Unc
17	532 17 56-89	Trunnion
18	873 80 08-00	Nut Lockw/Wsh 1/2-13 Unc
19	532 13 98-68	Arm Suspension Rear
20	532 19 42-09	Pin Cotter 7/16 Bow Tie Lock
31	532 16 98-65	Bearing Pvt Lift
32	873 54 06-00	Nut Crownlock 3/8-24

**NOTE:** All component dimensions given in U.S. inches  
1 inch = 25.4 mm.

---

# SERVICE NOTES

---

## LIMITED WARRANTY

The Manufacturer warrants to the original consumer purchaser that this product as manufactured is free from defects in materials and workmanship. For a period of two (2) years from date of purchase by the original consumer purchaser, we will repair or replace, at our option, without charge for parts or labor incurred in replacing parts, any part which we find to be defective due to materials or workmanship. This Warranty is subject to the following limitations and exclusions.

1. This warranty does not apply to the engine, transaxle/transmission components, battery (except as noted below) or components parts thereof. Please refer to the applicable manufacturer's warranty on these items.
2. Transportation charges for the movement of any power equipment unit or attachment are the responsibility of the purchaser. Transportation charges for any parts submitted for replacement under this warranty must be paid by the purchaser unless such return is requested by the manufacturer.
3. Battery Warranty: On products equipped with a Battery, we will replace, without charge to you, any battery which we find to be defective in manufacture, during the first ninety (90) days of ownership. After ninety (90) days, we will exchange the Battery, charging you 1/12 of the price of a new Battery for each full month from the date of the original sale. Battery must be maintained in accordance with the instructions furnished.
4. The Warranty period for any products used for rental or commercial purposes is limited to 90 days from the date of original purchase.
5. This Warranty applies only to products which have been properly assembled, adjusted, operated, and maintained in accordance with the instructions furnished. This Warranty does not apply to any product which has been subjected to alteration, misuse, abuse, improper assembly or installation, delivery damage, or to normal wear of the product.
6. Exclusions: Excluded from this Warranty are belts, blades, blade adapters, normal wear, normal adjustments, standard hardware and normal maintenance.
7. In the event you have a claim under this Warranty, you must return the product to an authorized service dealer.

Should you have any unanswered questions concerning this Warranty, please contact:

HOP  
Outdoor Products Customer Service Dept.  
9335 Harris Corners Parkway  
Charlotte, NC 28269 USA

In Canada contact:  
HOP  
5855 Terry Fox Way  
Mississauga, Ontario  
L5V 3E4

giving the model number, serial number and date of purchase of your product and the name and address of the authorized dealer from whom it was purchased.

THIS WARRANTY DOES NOT APPLY TO INCIDENTAL OR CONSEQUENTIAL DAMAGES AND ANY IMPLIED WARRANTIES ARE LIMITED TO THE SAME TIME PERIODS STATED HEREIN FOR OUR EXPRESSED WARRANTIES. Some areas do not allow the limitation of consequential damages or limitations of how long an implied Warranty may last, so the above limitations or exclusions may not apply to you. This Warranty gives you specific legal rights, and you may have other rights which vary from locale to locale.

This is a limited Warranty within the meaning of that term as defined in the Magnuson-Moss Act of 1975.

