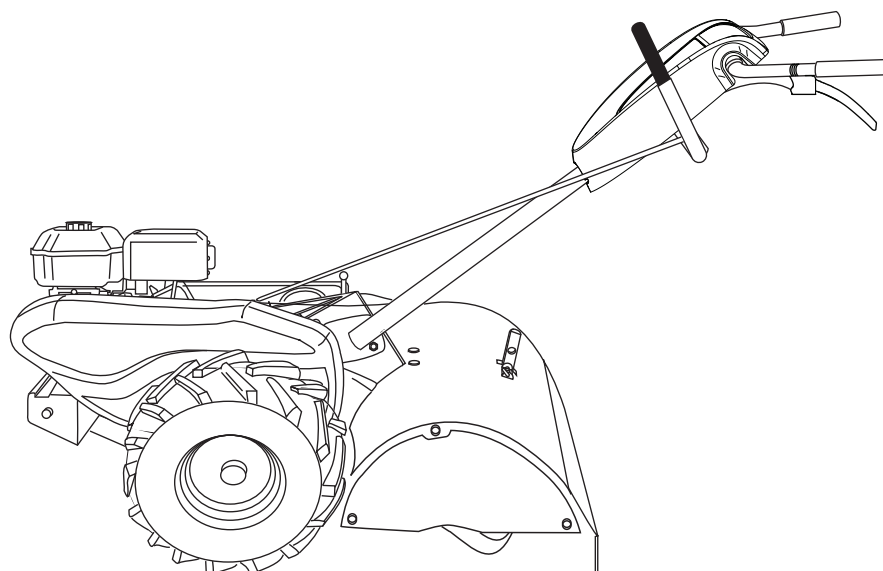


Poulan PRO



REPAIR PARTS MANUAL

MODEL:

RT900

REAR TINE TILLER

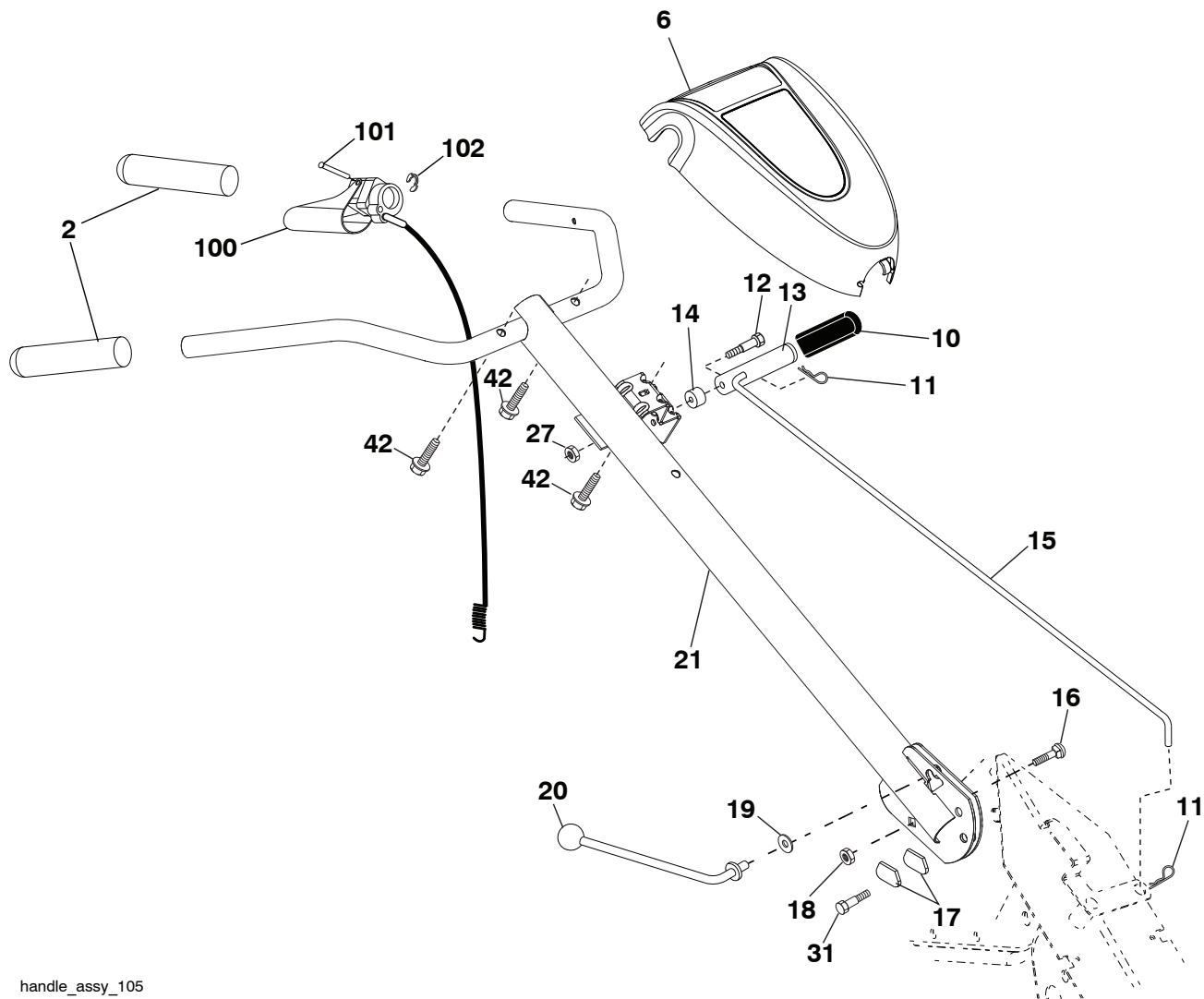
ALWAYS WEAR EYE PROTECTION DURING OPERATION

Visit our website: www.poulanpro.com

REPAIR PARTS

TILLER - - MODEL NUMBER RT900, (MFG. ID. NO. 96092002900)

HANDLE ASSEMBLY



handle_assy_105

KEY NO.	PART NO.	DESCRIPTION
2	532 42 76-43	Grip, Handle
6	532 44 64-65	Panel, Control
10	532 12 47-97	Grip, Handle
11	532 12 47-88	Clip, Hairpin
12	532 08 13-28	Bolt, Shoulder
13	532 18 74-97	Handle, Shift
14	532 10 93-13	Grommet, Rubber
15	532 10 93-37	Rod, Shift
16	872 11 06-08	Bolt, Carriage 3/8-16 x 1 Gr. 5
17	532 10 92-29	Lock, Handle
18	873 68 06-00	Nut, Crownlock 3/8-16 unc
19	819 13 16-11	Washer 13/32 x 1 x 11 Ga.
20	532 10 92-28	Lever, Lock, Handle

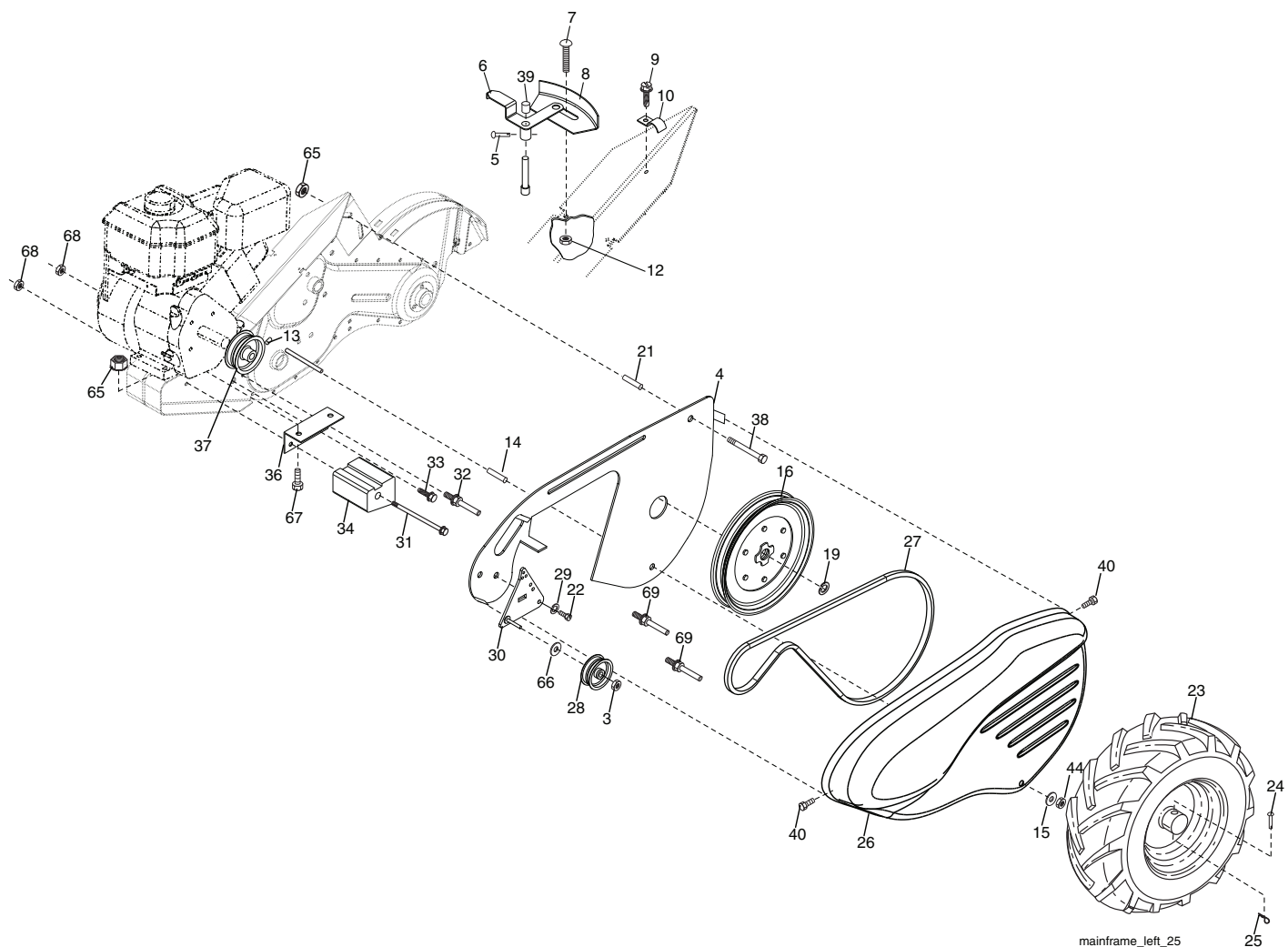
KEY NO.	PART NO.	DESCRIPTION
21	532 19 31-29	Handle
27	873 90 04-00	Nut, Hex Flange 1/4-20 unc
31	532 15 06-96	Bolt, Pivot
42	532 41 63-58	Screw #10 x .750
100	532 19 31-33	Lever
101	532 18 85-55	Pin, Pivot
102	812 00 00-59	Retaining Ring

NOTE: All component dimensions given in U.S. inches.
1 inch = 25.4 mm

REPAIR PARTS

TILLER - - MODEL NUMBER RT900, (MFG. ID. NO. 96092002900)

MAINFRAME, LEFT SIDE



KEY NO.	PART NO.	DESCRIPTION
3	873 22 06-00	Nut, Hex 3/8-16
4	532 43 24-20	Shield, Inner Belt Guard RT
5	532 16 43-29	Screw, Shift Lever
6	532 11 01-11	Lever, Shift
7	872 11 04-04	Bolt, Carriage 1/4-20 x 1/2 Gr. 5
8	532 00 87-00	Plate, Shift Indicator
9	532 08 67-77	Screw, Hex, Washer Head, Slotted #10-24 x 1/2
10	532 00 94-84	Clip
12	873 51 04-00	Nut, Keps Hex 1/4-20 unc
13	823 23 05-06	Screw, Set, Hex 5/16-18 x 3/8
14	532 15 61-17	Spacer, Split 0.327 x 0.42 x 1.220
15	819 11 11-16	Washer 11/32 x 11/16 x 16 Ga.
16	532 14 51-02	Sheave, Transmission
19	812 00 00-28	Retainer, Ring
21	532 11 06-52	Spacer, Split 0.327 x 0.42 x 2.09
22	874 77 05-08	Bolt, Fin Hex 5/16-24 un f x 1/2
23	532 10 21-90	Tire
	532 44 18-09	Rim
	532 12 47-18	Tire, Valve
24	532 12 68-75	Rivet, Drilled
25	532 12 47-88	Clip, Hairpin
26	532 16 77-78	Guard, Belt

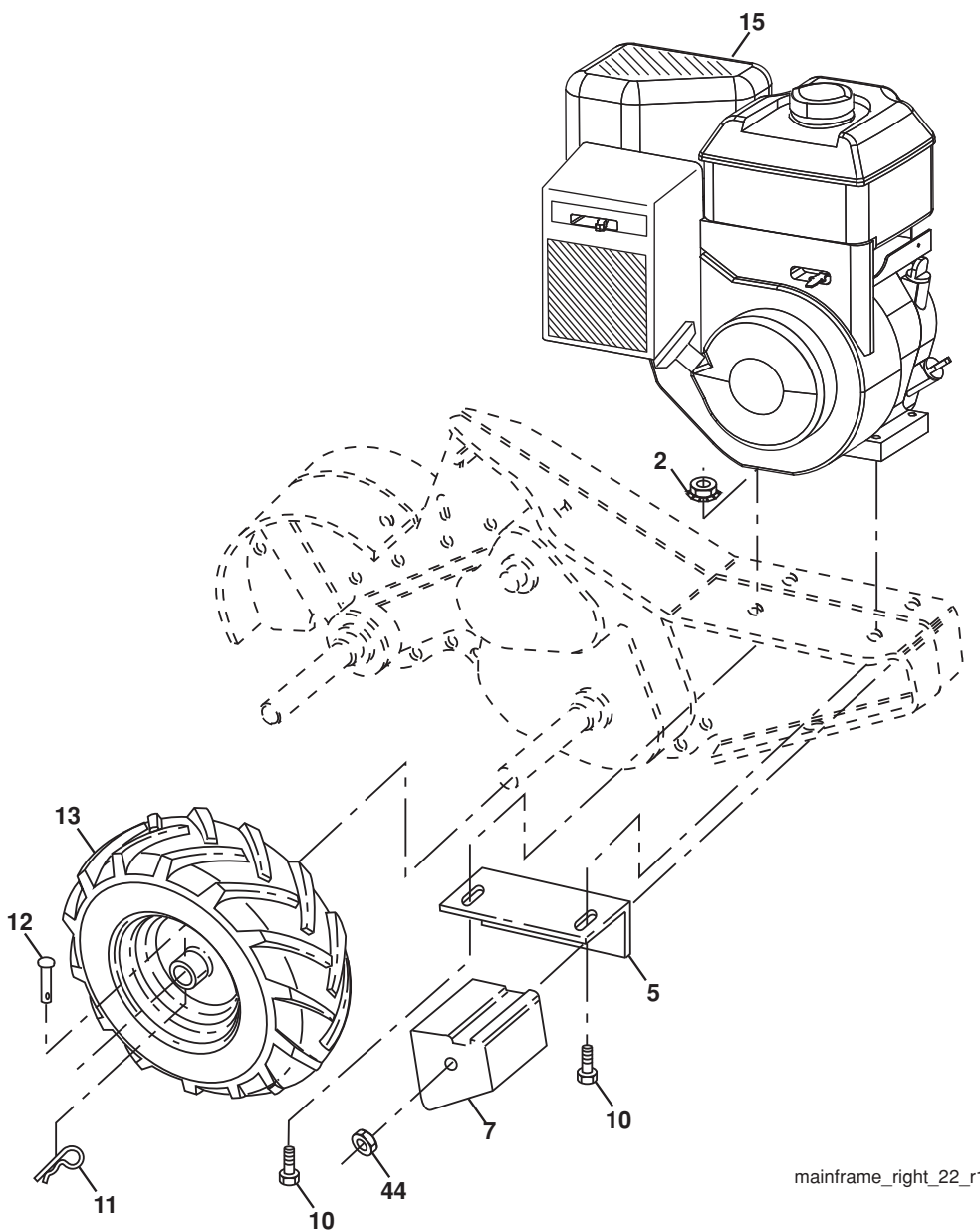
KEY NO.	PART NO.	DESCRIPTION
27	532 13 28-01	Belt, V
28	532 10 46-79	Pulley, Idler
29	812 00 00-32	Ring, Klip
30	532 15 92-29	Bracket, Idler
31	532 10 21-94	Bolt, Fin Hex 3/8-16 unc x 10
32	532 10 21-41	Shaft, Idler Arm
33	874 76 06-16	Bolt, Hex 3/8-16 x 1
34	532 10 21-73	Counterweight, L. H.
36	532 10 23-31	Bracket, Reinforcement, L. H.
37	532 13 08-12	Sheave, Engine
38	874 76 05-44	Bolt, Fin Hex 5/16-18 unc x 2-3/4
39	532 14 00-62	Cap, Plunger Blk
40	532 17 04-88	Screw, Hex Wsh Slt #10-24 x 1/2
44	873 80 05-00	Nut, Lock Hex w/Ins 5/16-18 unc PL
65	873 97 05-00	Nut, Lock Hex Flange
66	819 13 13-12	Washer 13/32 x 13/16 x 12 Ga.
67	874 76 05-24	Bolt, Fin Hex 5/16-18 unc x 1-1/2
68	873 51 06-00	Nut, Keps Hex 3/8-16 unc
69	532 16 41-73	Keeper, Belt

NOTE: All component dimensions given in U.S. inches.
1 inch = 25.4 mm

REPAIR PARTS

TILLER - - MODEL NUMBER RT900, (MFG. ID. NO. 96092002900)

MAINFRAME, RIGHT SIDE



mainframe_right_22_r1

KEY NO.	PART NO.	DESCRIPTION
2	873 97 05-00	Locknut, Hex, Flange 5/16-18
5	532 10 23-32	Bracket Reinforcement RH
7	532 10 21-73	Counter Weight,
10	874 76 05-24	Bolt, Hex 5/16-18 x 1-1/2
11	532 12 47-88	Clip, Hairpin
12	532 12 68-75	Rivet, Drilled
13	532 10 21-90	Tire
	532 44 18-09	Rim
	532 12 47-18	Tire Valve

KEY NO.	PART NO.	DESCRIPTION
15	-----	Engine, B&S 12T402-1613-F8 (446085)(Order parts from engine manufacturer.)
44	873 51 06-00	Nut, Keps, Hex 3/8-16 unc

NOTE: All component dimensions given in U.S. inches
1 inch = 25.4 mm

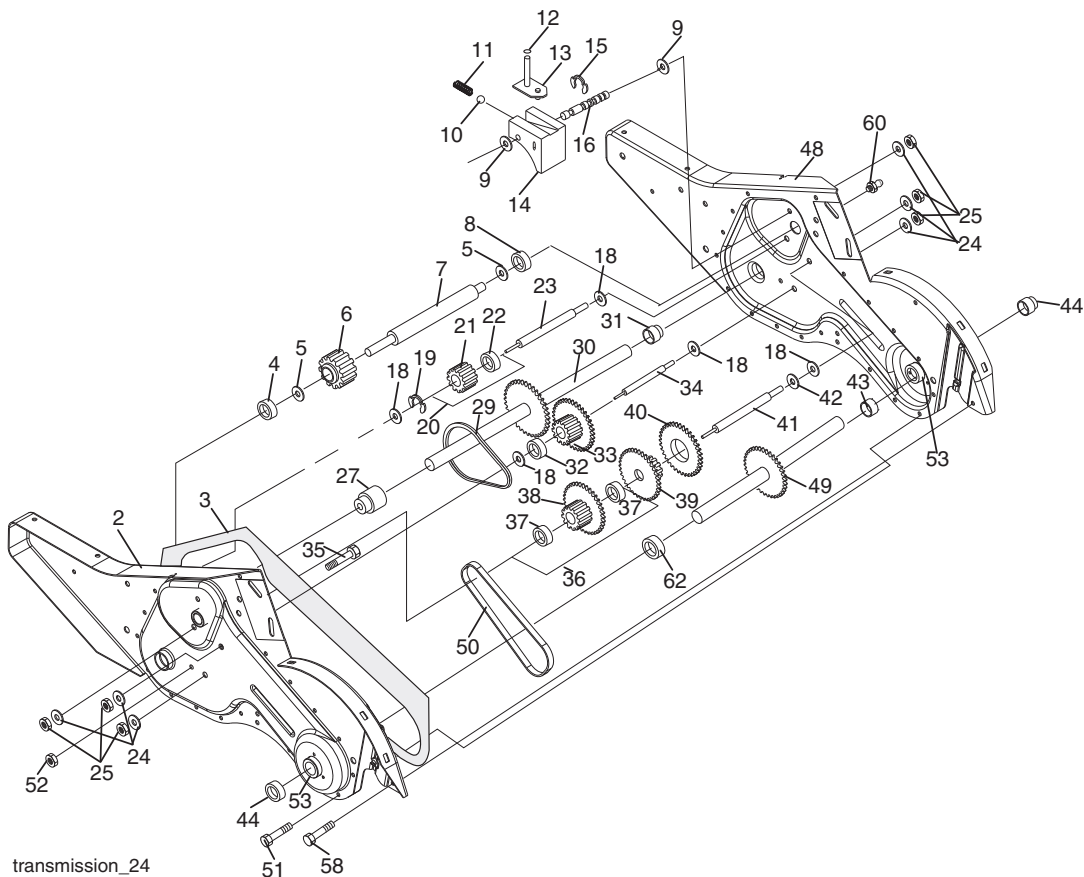
For engine service and replacement parts, call the toll free number for your engine manufacturer listed below:

Briggs & Stratton 1-800-233-3723

REPAIR PARTS

TILLER - - MODEL NUMBER RT900, (MFG. ID. NO. 96092002900)

TRANSMISSION



transmission_24

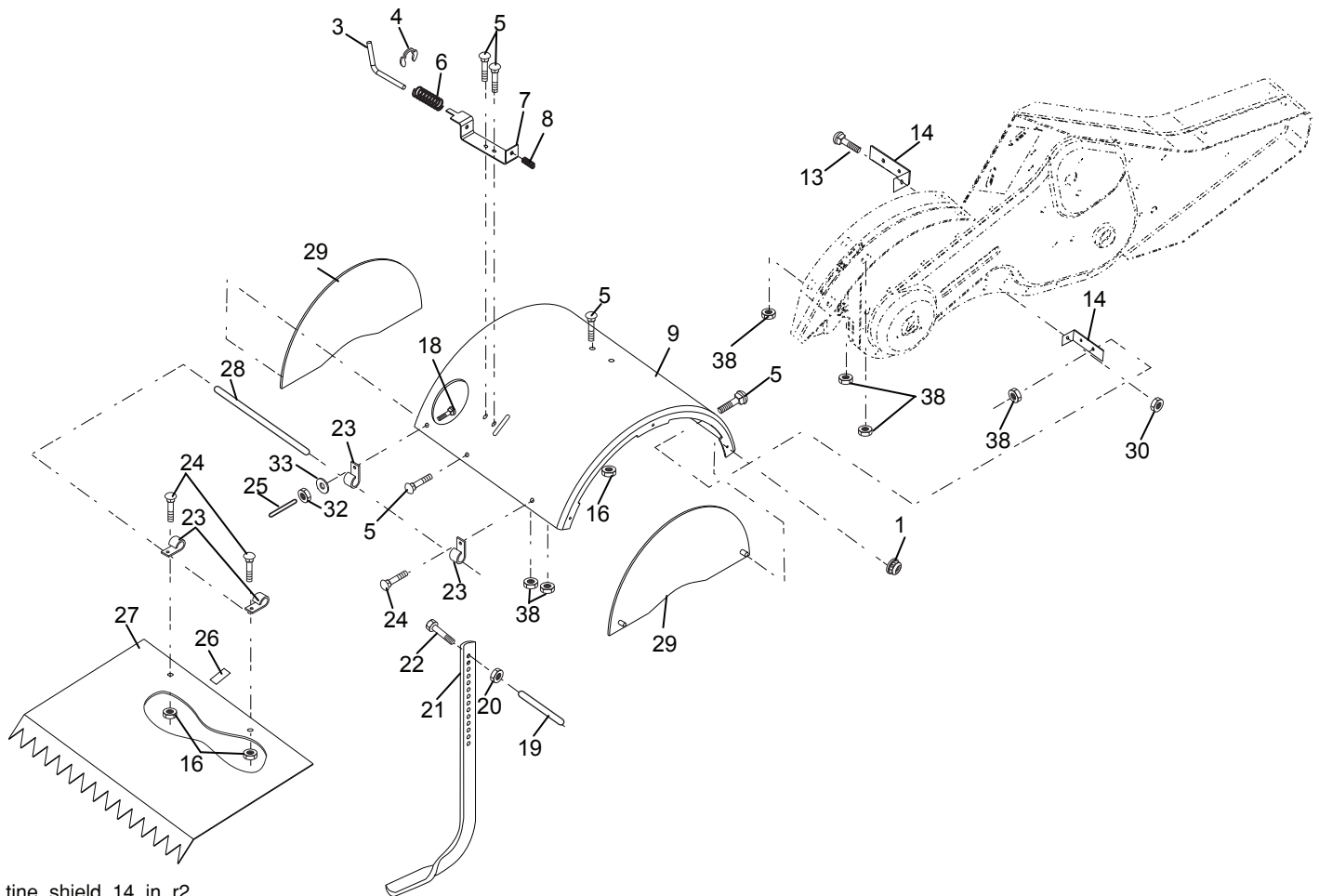
KEY NO.	PART NO.	DESCRIPTION	KEY NO.	PART NO.	DESCRIPTION
1	532 18 85-54	Transmission Assembly (Includes Key Nos. 2-53)	31	532 14 30-08	Bearing, Shaft, Ground Drive R.H.
2	532 18 84-82	Gearcase, L.H. w/Bearing (Includes Key No. 4)	32	532 10 63-88	Spacer 0.70 x 1.00 x 1.150
3	532 43 10-22	Gasket, Gearcase	33	532 10 21-21	Sprocket and Gear Assembly
4	532 00 50-20	Bearing, Needle	34	532 10 21-12	Shaft, Reduction (2nd)
5	532 00 13-70	Washer, 5/8 x 1.10 x 1/32	35	532 10 21-01	Screw, Whiz, Lock 5/16-18 x 3-1/2
6	532 13 73-35	Pinion, Input	36	532 15 43-55	Sprocket Assembly w/Bearing (Includes Key Nos. 37 and 38)
7	532 14 51-01	Shaft, Input	37	532 12 47-91	Bearing, Needle
8	532 12 47-92	Bearing, Needle	38	532 15 43-56	Sprocket, Tine
9	532 15 44-67	Washer, Seal	39	532 10 53-45	Gear, Cluster, Red 1st & 2nd
10	532 12 46-97	Ball, Steel	40	532 10 53-46	Gear, Reverse
11	532 10 03-71	Spring, Shift, Fork	41	532 00 83-58	Shaft, Reduction (1st)
12	532 10 61-60	O-Ring	42	532 00 42-20	Washer, Thrust
13	532 14 21-45	Asm. Bracket Shift	43	532 10 61-46	Spacer 1.01 x 1.75 x 0.760
14	532 00 83-53	Fork, Shift	44	532 15 52-36	Seal Asm, Oil
15	812 00 00-39	Ring, Klip	48	532 18 84-85	Gearcase, R.H. w/Bearing (Includes Key No. 8)
16	532 15 44-66	Shaft, Shift	49	532 43 14-85	Shaft, Tine
18	532 00 43-58	Washer	50	532 10 61-47	Chain, Roller #50-50 Pitch
19	812 00 00-40	Ring, Klip	51	817 72 04-08	Screw 1/4-20 x 1/2
20	532 10 21-14	Gear, Assembly, Reverse Idler (Includes Key Nos. 21 and 22)	52	873 22 05-00	Nut, Hex 5/16-18
21	532 10 21-15	Gear, Reverse Idler	53	532 16 51-40	Kit, Bearing
22	532 00 68-03	Bearing, Needle	58	532 17 95-20	Bolt Shoulder
23	532 10 21-11	Shaft, Reverse Idler	60	532 18 32-26	Fitting Grease
24	810 04 07-00	Washer, Lock 7/16	62	532 43 10-15	Spacer 1.015 x 1.50 x .650
25	873 61 07-00	Nut, Hex 7/16-20	--	532 00 60-66	Grease, Plastilube #1
27	532 43 12-19	Bearing, Ground Drive			
29	532 10 21-34	Chain #35-50 Pitch			
30	532 15 07-37	Ground Shaft Assembly			

NOTE: All component dimensions are given in U.S. inches.
1 inch = 25.4 mm

REPAIR PARTS

TILLER -- MODEL NUMBER RT900, (MFG. ID. NO. 96092002900)

TINE SHIELD



tine_shield_14_in_r2

KEY NO.	PART NO.	DESCRIPTION
1	873 90 05-00	Nut, Lock Hex Flange 5/16-18
3	532 00 83-93	Pin, Stake, Depth
4	812 00 00-35	Ring, Klip
5	532 18 08-47	Bolt, Rdhd Sqnk 5/16-18 x 3/4
6	532 00 83-94	Spring
7	532 00 83-92	Bracket, Latch
8	532 10 92-30	Spring, Depth Stake
9	532 44 18-41	Shield, Tine
13	872 11 05-10	Bolt, Carriage 5/16-18 x 1-1/4
14	532 12 43-43	Bracket, Shield Tine
16	873 90 04-00	Nut, Hex Flange 1/4-20 unc
18	872 04 04-10	Bolt, Carriage 1/4-20 x 1-1/4 Gr.
19	532 10 27-01	Grip
20	873 22 06-00	Nut, Hex 3/8-16
21	532 10 21-56	Stake, Depth
22	874 93 06-32	Bolt, Hex 3/8-16 x 2

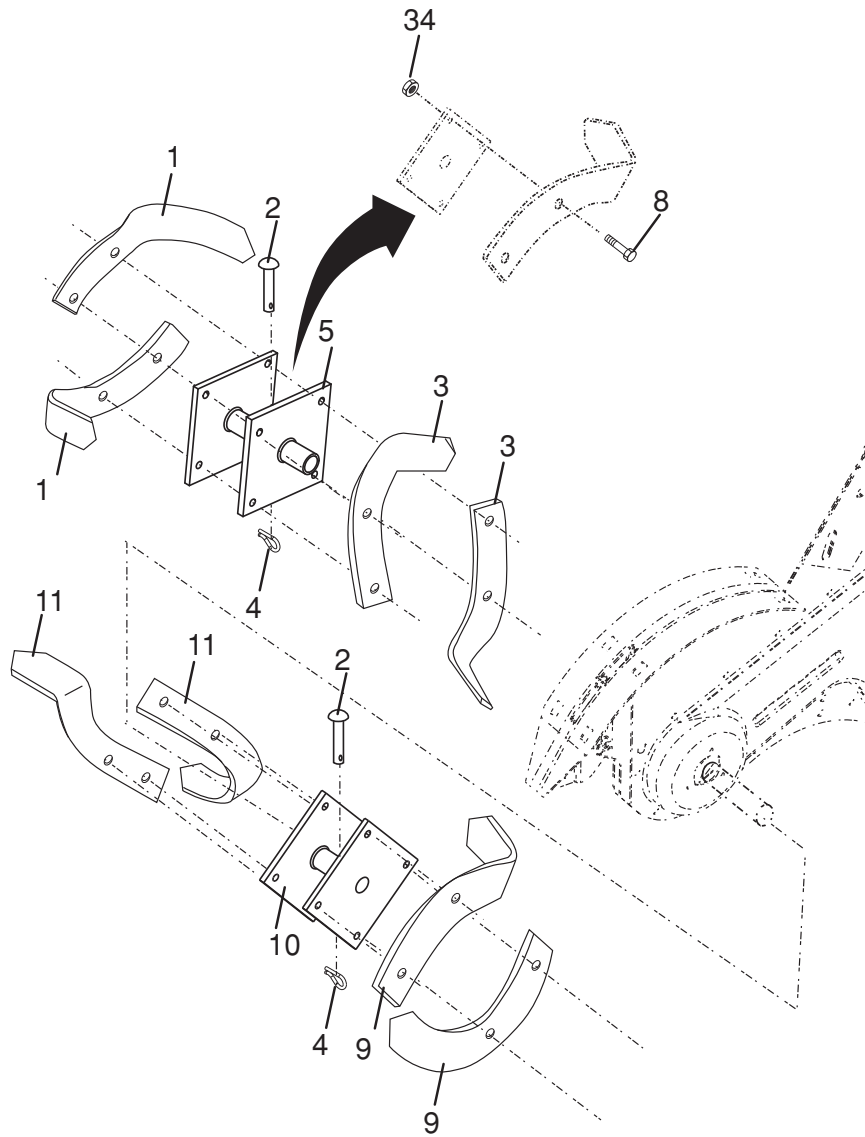
KEY NO.	PART NO.	DESCRIPTION
23	532 00 44-40	Hinge
24	872 14 04-04	Bolt, Carriage 1/4-20 x 1/2 Gr. 5
25	532 12 47-17	Cap, Vinyl
26	532 10 92-27	Pad, Idler
27	532 44 18-13	Shield, Leveling
28	532 12 05-88	Pin, Hinge
29	532 44 18-10	Shield, Side
30	873 97 05-00	Nut Lock Hex Flange
32	873 22 04-00	Nut Fin Hex 1/4-20 unc
33	810 04 04-00	Washer Lock Hvy Helical 1/4
38	873 51 05-00	Nut, Keps Hex 5/16-18 unc

NOTE: All component dimensions given in U.S. inches.
1 inch = 25.4 mm

REPAIR PARTS

TILLER - - MODEL NUMBER RT900, (MFG. ID. NO. 96092002900)

TINE ASSEMBLY



tine_ipb_99_2_r1

KEY NO.	PART NO.	DESCRIPTION
1	532 00 44-59	Tine, Outer, L.H.
2	532 13 26-73	Clevis Pin
3	532 00 65-54	Tine, Inner, L.H.
4	532 12 46-60	Retainer, Spring Zinc
5	532 13 27-21	Assembly, Hub and Plate, L.H.
8	874 61 06-16	Bolt, Hex 3/8-24 x 1
9	532 00 44-60	Tine, Outer, R.H.

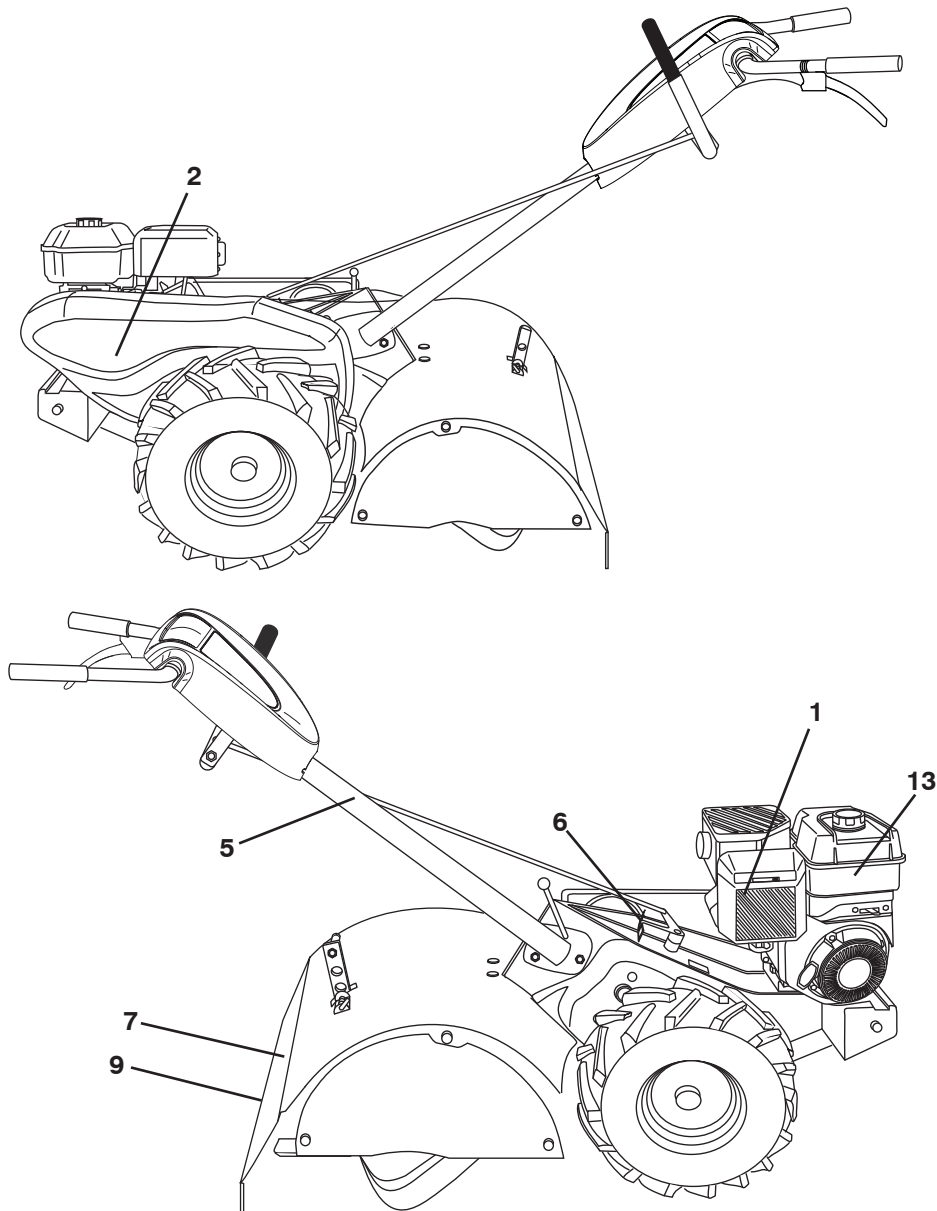
KEY NO.	PART NO.	DESCRIPTION
10	532 13 27-22	Assembly, Hub and Plate, R.H.
11	532 00 65-55	Tine, Inner, R.H.
34	873 54 06-00	Nut Crownlock 3/8-24

NOTE: All component dimensions given in U.S. inches.
1 inch = 25.4 mm

REPAIR PARTS

TILLER - - MODEL NUMBER RT900, (MFG. ID. NO. 96092002900)

DECALS



KEY NO.	PART NO.	DESCRIPTION
1	532 43 22-78	Decal, B&S 900 A/C
2	532 43 22-25	Decal, Blt Grd
5	532 11 06-14	Decal, Hand Placement
6	532 10 21-80	Decal, Shift Indicator
7	532 42 29-72	Decal, Caution
9	532 12 00-76	Decal, Warning, Rotating Tines
13	532 40 91-43	Decal, Engine Tank
--	532 44 67-82	Manual, Operator's, English/French
--	532 44 67-83	Manual, Repair Parts, English/French

SERVICE NOTES

Poulan PRO

PARTS AND SERVICE

This product has been expertly engineered and carefully manufactured to rigid quality standards. As with all mechanical products, some adjustments or part replacement may be necessary during the life of your unit.

For Parts and service, contact our authorized distributor: call 1-800-849-1297

- For replacement parts, have available the following information:
 - a. Model Number/Manufacturer's I.D. Number
 - b. Description of part.

For Technical Assistance: call 1-800-829-5886

For a Parts Manual, go to our website: www.poulan-pro.com/support.asp

NOTE: HOP provides parts and service through its authorized distributors and dealers; therefore, all requests for parts and service should be directed to your local dealer(s). The philosophy of HOP is to continually improve all of its products. If the operating characteristics or the appearance of your product differs from those described in this Manual, please contact your local dealer for updated information and assistance.