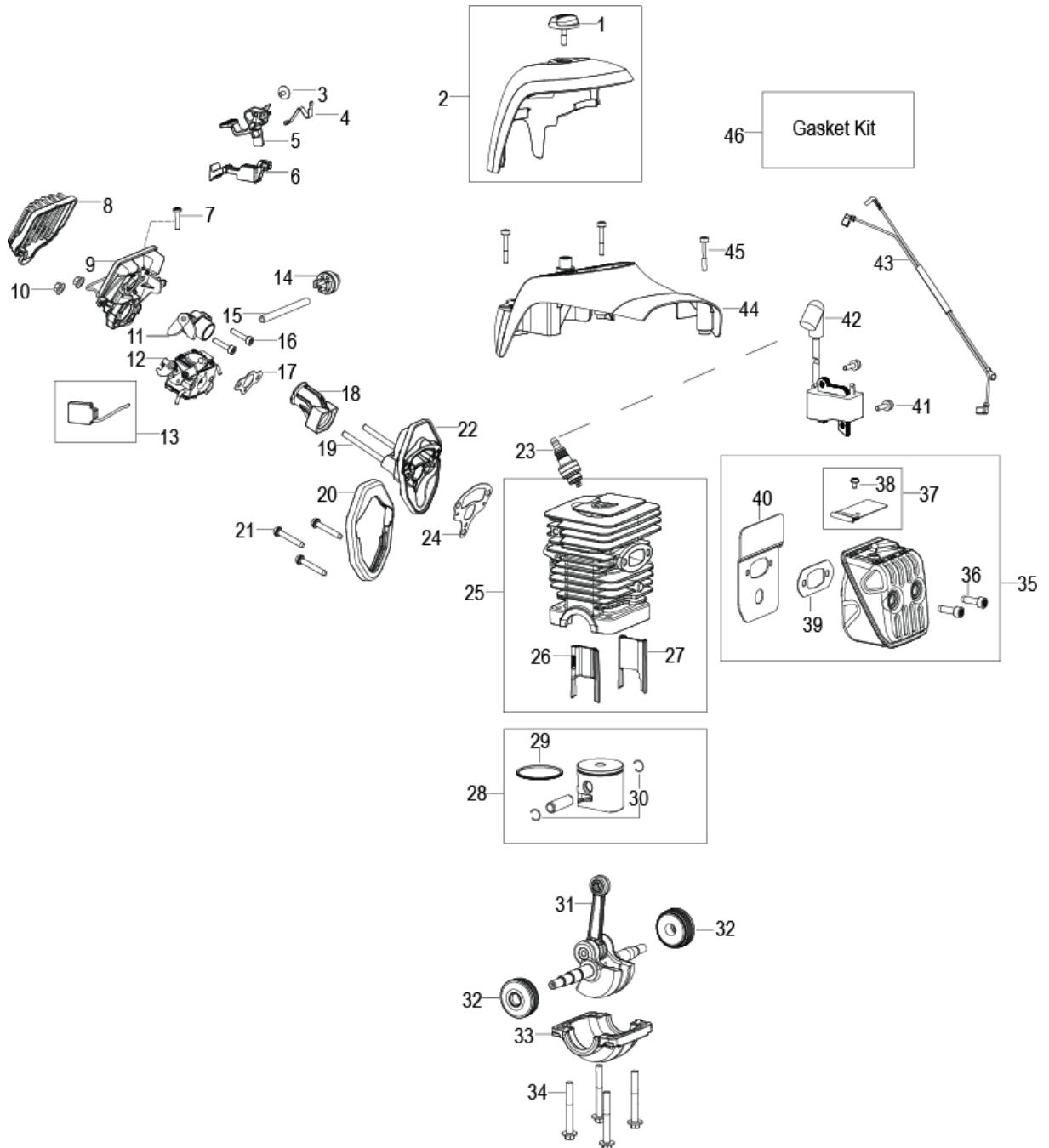




SPARE PARTS LIST

CHAIN SAWS

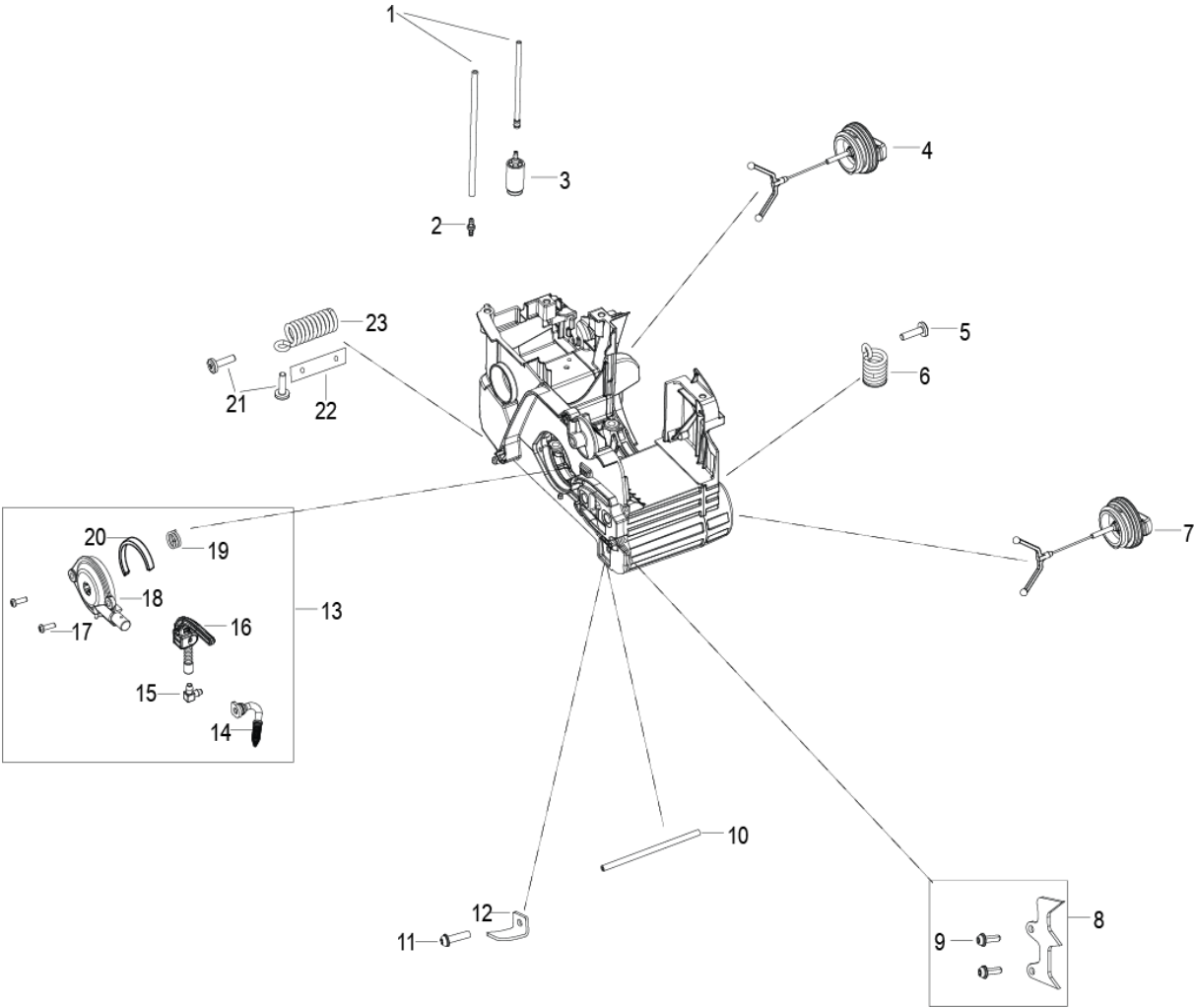
PR5020, 967061401, 967061501, 2016-04



ENGINE

PR5020, 967061401, 967061501, 2016-04

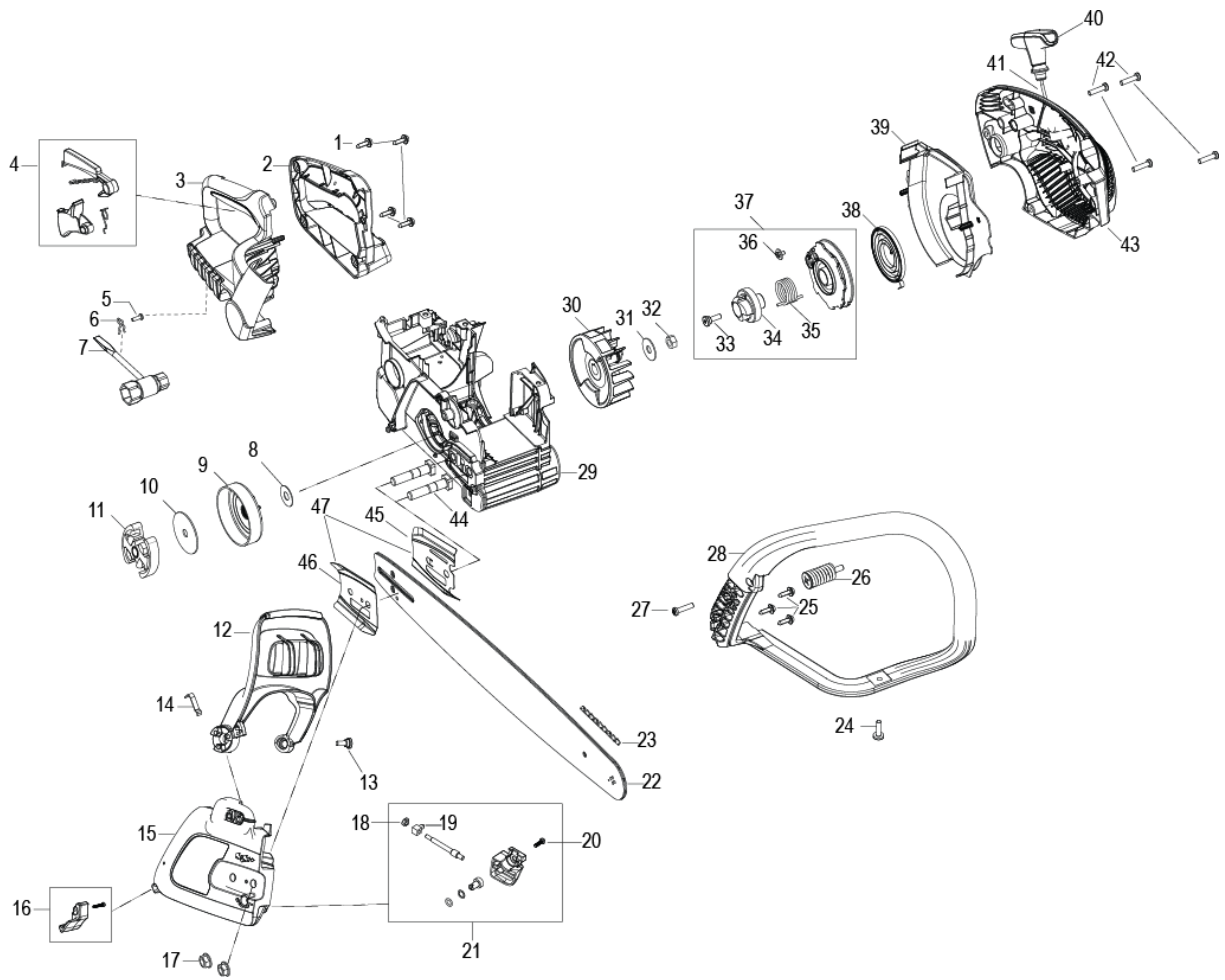
Ref	Part No	Description	Remark	QTY	KIT
1	537 21 32-03	KNOB	KNOB 16.7 black	1	
2	586 58 71-01	KIT	KIT Filter Cover W/Decal	1	1
3	530 01 60-80	SCREW	SCREW	1	
4	530 01 64-16	SPRING	SPRING SPRING IGNITION SWITCH	1	
5	545 17 23-01	LEVER	LEVER SWITCH	1	
6	545 17 22-01	KNOB	KNOB CHOKE	1	
7	545 21 02-01	SCREW	SCREW M5.28X1.81X20MM	2	
8	575 29 63-01	FILTER	FILTER Pleated 50cc	1	
9	575 29 62-01	MANIFOLD	MANIFOLD Air Intake Base	1	
10	530 01 61-01	NUT	NUT	2	
11	545 17 44-01	VALVE ASSY	VALVE ASSY 50CC AIR	1	
12	573 95 22-01	CARBURETTOR	CARBURETTOR W47 With Purge	1	
13	525 32 80-01	THROTTLE	THROTTLE Assy	1	
14	530 04 77-21	PRIMER	PRIMER	1	
15	545 07 83-03	LINE	KIT FUEL LINE	1	
16	545 00 35-11	SCREW	SCREW M4X1.41X20MM	2	
17	576 75 25-01	KIT	GASKET KIT	1	17,24,39
18	545174001	TBD	BLOCK AIR INTAKE	1	
19	575 21 98-01	BOLT	BOLT CARB ADAPTOR	2	
20	545 17 39-01	SEAL	SEAL ADAPTOR	1	
21	530 01 64-26	SCREW	SCREW SCREW M5- 0.8X30MM	3	
22	576 75 26-01	KIT	KIT Carb Adaptor	1	17,20,24
23	585 35 82-01	SPARK PLUG	SPARK PLUG BRISK HQT-1	1	
24	576 75 25-01	KIT	GASKET KIT	1	17,24,39
25	576 75 27-01	KIT	KIT Cylinder 50cc LDAV	1	26,27
26	545 14 85-01	INSERT	INSERT CYLINDER RIGHT	1	
27	545 14 86-01	INSERT	INSERT CYLINDER LEFT	1	
28	576 75 26-01	KIT	"KIT Piston (Incl. 29,30)"	1	29,30
29	588 48 48-01	RING	"RING PISTON, 44MM"	1	
30	530 01 56-97	LOCKING RING	LOCKING RING	2	
31	545 12 01-01	CRANKSHAFT ASSY	CRANKSHAFT ASSEMBLY	1	
32	576 24 39-01	BEARING	BEARING SEAL & BEARING SERVICE	1	
33	545 16 58-01	CAP	CAP CRANKCASE	1	
34	530 01 64-17	BOLT	BOLT M6-1.0 X 25MM	4	
35	545 12 89-01	MUFFLER ASSY	MUFFLER ASSY Incl. 36- 40	1	36,37,38 ,39,40
36	530 01 63-38	BOLT	BOLT	1	
37	576 75 24-01	KIT	KIT Spark Arrestor	1	
38	545181601	TBD	"SCREW Muffler, 50CC 8- 32 TT"	1	
39	576 75 25-01	KIT	GASKET KIT	1	17,24,39
40	525 82 84-01	PLATE	PLATE Back	1	
41	545 12 19-01	SCREW	SCREW	2	
42	545 20 27-01	IGNITION MODULE	IGNITION MODULE MB 74 WALBRO	1	
43	545 17 12-01	WIRING HARNESS	WIRING HARNESS ASSY	1	
44	586 58 29-01	CYLINDER COVER	CYLINDER COVER	1	
45	530 01 64-06	SCREW	SCREW	3	
46	576 75 25-01	KIT	GASKET KIT	1	17,24,39
-	587 55 92-01	DECAL	DECAL WARNING 50CC	1	
	TBD	TBD	TEST	1	



HOUSING

PR5020, 967061401, 967061501, 2016-04

Ref	Part No	Description	Remark	QTY	KIT
1	580 72 71-03	FUEL HOSE	FUEL LINE KIT	1	2
2	530 02 38-77	NIPPLE	NIPPLE FITTING - FUEL LINE	1	
3	577 16 72-01	ASSEMBLY	FUEL PICKUP ASSEMBLY	1	
4	544 11 12-02	TANK CAP ASSY	FUEL CAP ASSEMBLY	1	
5	545 21 02-01	SCREW	SCREW M5.28X1.81X20MM	1	
6	545 16 95-01	ISOLATOR	ISOLATOR FRONT ASSY	1	
7	544 11 12-02	TANK CAP ASSY	OIL CAP ASSEMBLY	1	
8	530 01 43-81	FELLING DOG	FELLING DOG KIT SPIKE ASSEMBLY	1	9
9	530 01 64-39	SCREW	SCREW	2	
10	545033502	TBD	OIL VENT ASSEMBLY	1	
11	530 01 64-32	SCREW	SCREW M5.38-14X22.225MM	2	
12	530 02 98-50	CHAIN CATCHER	CHAIN CATCHER	1	
13	576 75 32-01	KIT	"KIT OIL PUMP, INCL. 16-21"	1	16,17,18,19,20,21
14	545 22 13-01	OIL	OIL PICKUP ASSY. W/FILTER	1	
15	530 04 94-77	ELBOW	ELBOW OIL LINE	1	
16	545 12 88-01	BLOCK	BLOCK OIL	1	
17	545 22 71-01	SCREW	SCREW	2	
18	545 16 54-02	OIL PUMP ASSY	OIL PUMP ASSEMBLY	1	
19	530 03 78-20	PISTON	WORM GEAR	1	
20	525 31 84-01	DUST SEAL	DUST SEAL OIL PUMP	1	
21	545 21 02-01	SCREW	SCREW M5.28X1.81X20MM	2	
22	578 29 72-01	STRAP	STRAP AV	1	
23	545178801	TBD	SPRING ISOLATOR REAR	1	



SIDE COVER & CLUTCH

PR5020, 967061401, 967061501, 2016-04

Ref	Part No	Description	Remark	QTY	KIT
1	530 01 63-49	SCREW	SCREW	4	
2	545 17 15-02	COVER	COVER REAR HANDLE WITH OVERMOLD	1	
3	545 17 14-02	HANDLE	HANDLE REAR WITH OVERMOLD	1	
4	576 75 28-02	KIT	KIT Trigger & Lockout	1	
5	545 22 71-01	SCREW	SCREW	1	
6	545 20 46-01	CLIP	CLIP WRENCH	1	
7	587 41 72-01	WRENCH	WRENCH CHAINBRAKE RESET	1	
8	579 62 15-01	WASHER	WASHER CLUTCH	1	
9	545 17 19-01	SPROCKET	SPROCKET DRUM AND SPROCKET ASSY	1	
10	530 01 56-11	WASHER	WASHER Thrust	1	
11	579 55 10-01	CLUTCH ASSY	CLUTCH ASSY	1	
12	586 58 39-01	HAND GUARD	HAND GUARD	1	
13	545 12 73-01	BOSS	BOSS SCREW HANDGUARD	1	
14	530 01 64-16	SPRING	SPRING SPRING HANDGUARD	1	
15	586 58 40-01	CHAIN BRAKE	CLUTCH COVER ASSY Cover&Side adjusting	1	
16	578 35 34-01	KIT	KIT WEAR PLATE	1	
17	530 01 59-17	NUT	NUT BAR	2	
18	537 01 74-01	BEARING SLEEVE	BEARING SLEEVE	1	
19	587 61 39-01	PAWL	PAWL 50cc Side Adjust	1	
20	545 22 11-01	SCREW.6 32 X 12.7 PA	SCREW	1	
21	586 58 68-01	KIT	"KIT Bar Adjust (incl 18-20, worm gears, washers)"	1	18,19,20
22	578 13 38-03	BAR	"BAR 20"" 3/8 72DL PPRO BN"	1	
23	545196401	TBD	SAW CHAIN 20INCH 72V 72V070PN	1	
24	530 01 63-49	SCREW	SCREW	1	
25	530 01 63-49	SCREW	SCREW	3	
26	545 17 09-01	SPRING	SPRING ISO ASSY CYLINDER	1	
27	530 01 64-32	SCREW	SCREW SCREW M5.38-14X22.225MM	4	
28	578 03 45-01	HANDLE	HANDLE FRONT	1	
29	586 58 28-01	CHASSIS ASSY	CHASSIS ASSY	1	
30	525 74 21-01	FLYWHEEL	FLYWHEEL Assembly 50cc Fenglong	1	
31	530 01 51-27	WASHER	WASHER FLYWHEEL	1	
32	530 01 61-34	NUT	NUT FLYWHEEL	1	
33	530 02 11-79	SCREW	SCREW SHOULDER	1	
34	545 17 82-01	HUB	HUB STARTER	1	
35	581 48 16-01	SPRING	SPRING HUB EPS	1	
36	530 01 60-80	SCREW	SCREW	1	
37	576 74 44-01	KIT	"KIT EPS Starter, INCL. 33-36"	1	33,34,35,36
38	576 65 78-01	SPRING	SPRING HUB EPS	1	
39	586 58 36-01	BAFFLE	BAFFLE	1	
40	585 43 80-04	HANDLE	HANDLE STARTER	1	
41	530 06 99-19	ROPE KIT	ROPE KIT	1	
42	530 01 64-32	SCREW	SCREW	4	
43	586 58 34-01	STARTER HOUSING	STARTER HOUSING	1	
44	530 01 58-77	BOLT	Bolt - Bar	2	
45	580 36 87-01	CHAIN GUIDE PLATE	Bar Plate - Inside	1	
46	580 36 88-01	CHAIN GUIDE PLATE	Bar Plate - Outside	1	
47	584 89 68-01	PLATE KIT	"Kit - Bar Plate (Incl. 45, 46)"	1	45,46
-	587 55 92-01	DECAL	WARNING	1	