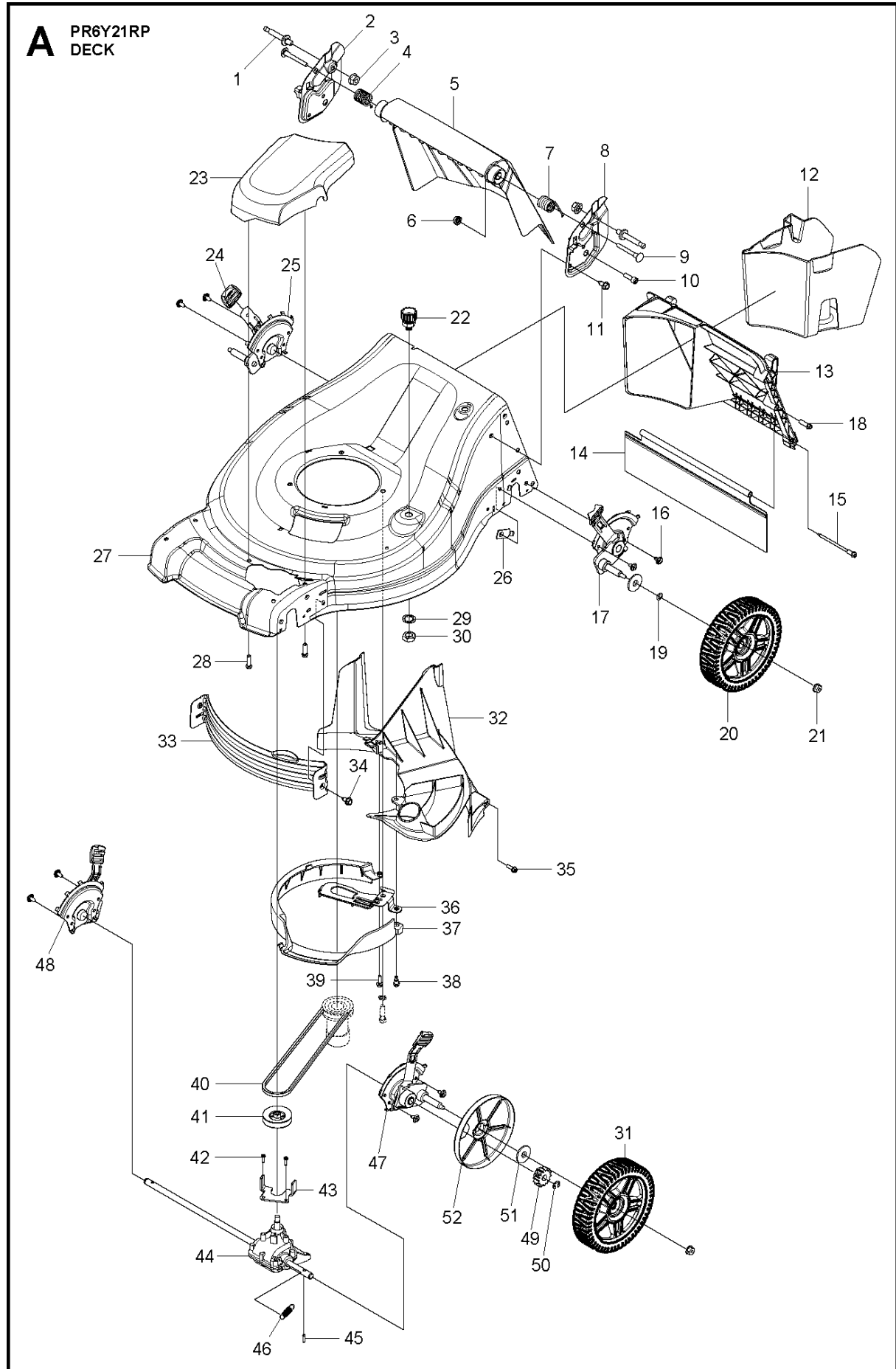




SPARE PARTS LIST

LAWN MOWERS: CONSUMER
WALK-BEHINDS

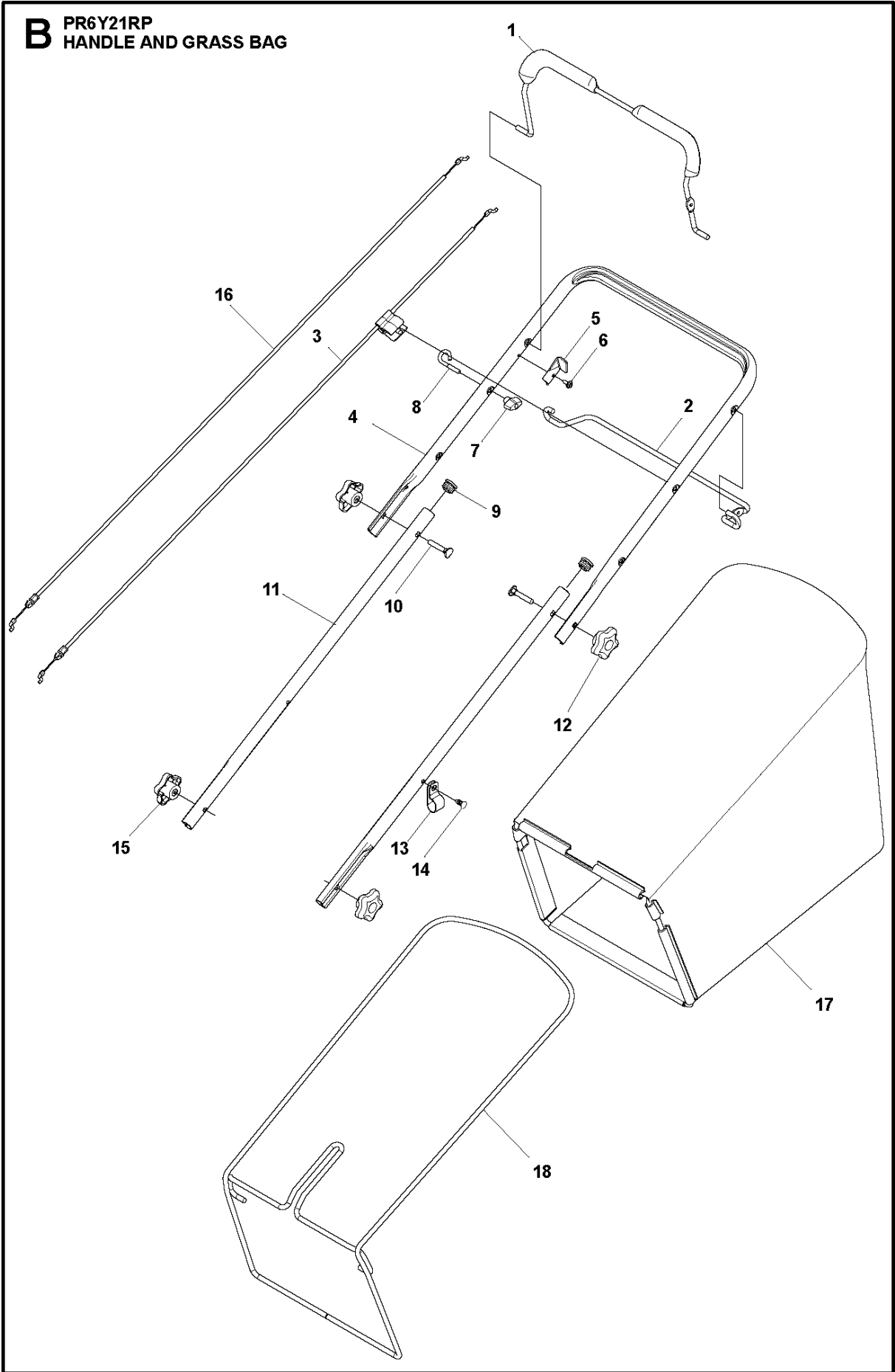
PR6Y21RP, 961420135, 2016-05



MOWER DECK / CUTTING DECK

PR6Y21RP, 961420135, 2016-05

| Ref | Part No | Description | Remark | QTY KIT |
|-----|--------------|-------------------|-----------------------------|---------|
| 1 | 587 01 52-01 | BOLT | Handle, Pivot, 5/16-18 | 1 |
| 2 | 586 70 99-03 | HANDLEBAR BRACKET | Adjustable Handle, Right | 1 |
| 3 | 587 59 99-01 | NUT | Serrated Flange, 5/16-18 | 1 |
| 4 | 587 25 06-01 | SPRING | Right, Door | 1 |
| 5 | 586 13 80-02 | DOOR | Rear | 1 |
| 6 | 532413284 | TBD | Flanged, 3/8-16 | 1 |
| 7 | 587 24 98-01 | SPRING | Left, Door | 1 |
| 8 | 586 71 00-03 | HANDLEBAR BRACKET | Fixed Position Handle, Left | 1 |
| 9 | 587 19 89-01 | BOLT | Pivot. 3/8-16 | 1 |
| 10 | 587 28 11-01 | SCREW | Hi-Lo, 5/16-14 X T-45 | 1 |
| 11 | 817 00 05-10 | BOLT | Hex, 5/16 | 1 |
| 12 | 586 92 27-01 | MULCHING PLUG | | 1 |
| 13 | 586 13 75-01 | INSERT | Rear | 1 |
| 14 | 586 69 88-01 | GUARD | Rear | 1 |
| 15 | 587 43 82-01 | SCREW | Hi-Lo, 5/16-14 X 4.10 | 1 |
| 16 | 581 12 76-01 | SCREW | 1/4-20 Tri-lobe | 1 |
| 17 | 586 92 01-15 | HEIGHT ADJUSTER | 4-Point, Left Rear | 1 |
| 18 | 584 29 94-01 | SCREW EHHFT | Hi-Lo, 5/16 X 1.00 | 1 |
| 19 | 532 19 74-80 | O-RING | | 1 |
| 20 | 581 00 94-12 | WHEEL ASSY | 8 X 1.75, 5-Spoke | 1 |
| 21 | 532 40 91-48 | NUT | Hex Flange, 3/8-16 | 1 |
| 22 | 532 41 97-35 | HOSE FITTING | Blue | 1 |
| 23 | 587 36 75-04 | FRONT COVER | Drive | 1 |
| 24 | 532 70 10-37 | KNOB | Ergonomic | 1 |
| 25 | 586 92 01-13 | HEIGHT ADJUSTER | 4-Point, Right Rear, Idler | 1 |
| 26 | 587 14 73-01 | STRAP | Height Adjuster Bracket | 1 |
| 27 | 588 61 02-11 | HOUSING ASSY | 21" FWD | 1 |
| 28 | 584 29 94-01 | SCREW EHHFT | Hi-Lo, 5/16 X 1.00 | 1 |
| 29 | 532 41 55-85 | LOCKWASHER | Star | 1 |
| 30 | 532 41 55-86 | LOCKING NUT | Hex | 1 |
| 31 | 581 00 92-05 | WHEEL ASSY | 8 X 1.75, 5-Spoke | 1 |
| 32 | 586 56 04-01 | BELT COVER | Belt/Rear Baffle | 1 |
| 33 | 586 69 86-01 | BAFFLE | Front | 1 |
| 34 | 817 00 05-10 | BOLT | Hex, 5/16 | 1 |
| 35 | 587 59 98-01 | SCREW | Hi-Lo, 13-16 X.750 | 1 |
| 36 | 587 28 04-02 | KEEPER | Belt Keeper, Engine | 1 |
| 37 | 587 08 10-01 | STRIPPER | Stripper | 1 |
| 38 | 581 72 61-01 | BOLT | Shoulder, 1/4-20 Tri-lobe | 1 |
| 39 | 587 59 98-01 | SCREW | Hi-Lo, 13-16 X.750 | 1 |
| 40 | 532 17 54-36 | V-BELT | Drive | 1 |
| 41 | 586 98 97-01 | PULLEY | Transmission | 1 |
| 42 | 532 16 34-09 | SCREW | 12 X 5/8, Hi/Lo Thread | 1 |
| 43 | 532 43 17-11 | BRACKET | Belt Keeper | 1 |
| 44 | 587 08 11-01 | TRANSMISSION | | 1 |
| 45 | 532 40 48-45 | PAWL, DRIVE | Drive | 1 |
| 46 | 532 40 65-58 | SPRING | Front transmission | 1 |
| 47 | 586 92 01-09 | HEIGHT ADJUSTER | 4-Point, Left Front | 1 |
| 48 | 586 92 01-11 | HEIGHT ADJUSTER | 4-Point, Right Front | 1 |
| 49 | 532 40 38-49 | PINION | 14 Tooth | 1 |
| 50 | 812 00 00-58 | E-CLIP | 7/16, RE-Style | 1 |
| 51 | 532 06 77-25 | WASHER | 1/2 X 1-1/2 X .134 | 1 |
| 52 | 581 84 04-01 | DUST COVER | Dust | 1 |

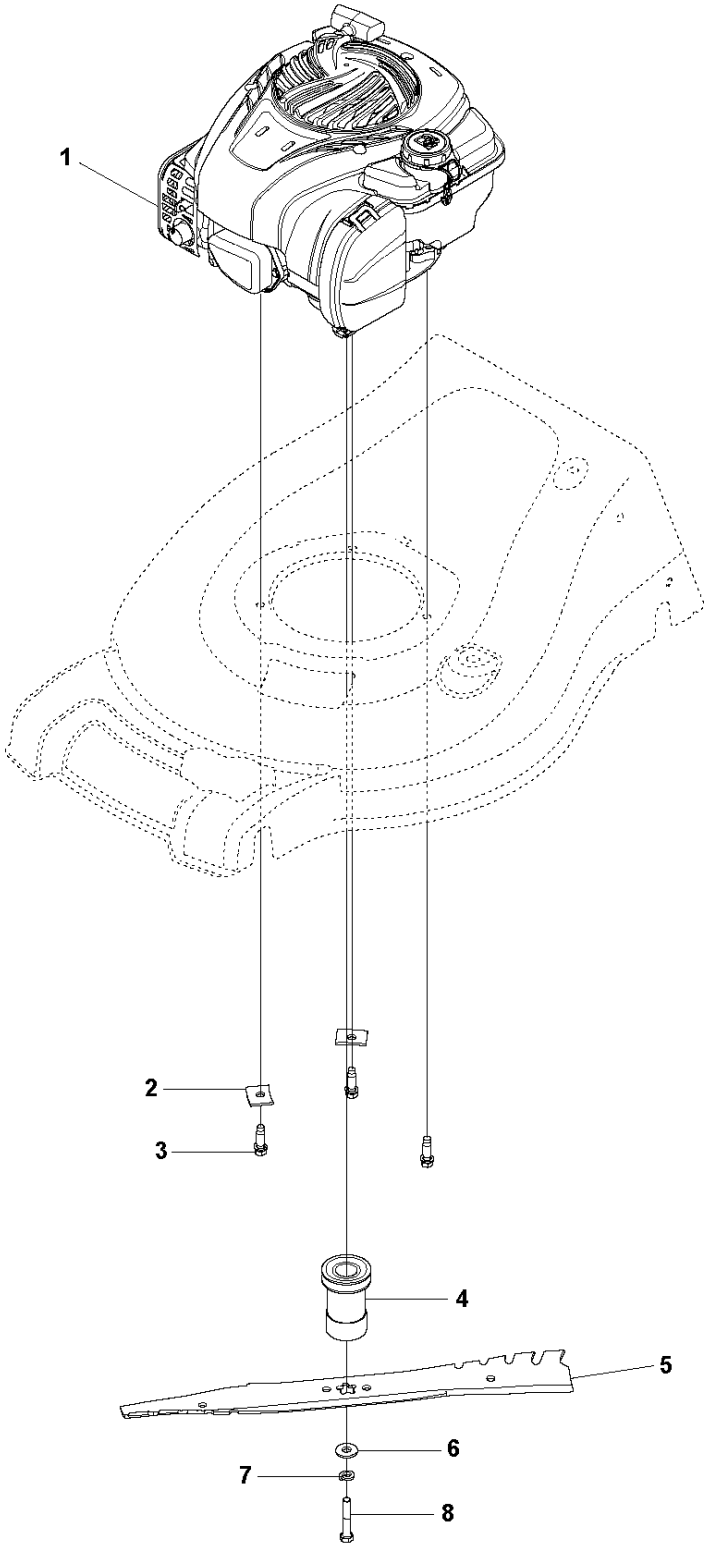


HANDLE

PR6Y21RP, 961420135, 2016-05

| Ref | Part No | Description | Remark | QTY KIT |
|-----|--------------|----------------|-------------------------------|---------|
| 1 | 587 47 83-03 | BAIL ARM ASSY | Straight | 1 |
| 2 | 532 43 52-81 | BAIL | Drive, Straight | 1 |
| 3 | 532 44 03-85 | CABLE | Operator Presence Bail | 1 |
| 4 | 532 42 77-38 | HANDLE | Straight | 1 |
| 5 | 532 43 00-34 | BRACKET | Upstop | 1 |
| 6 | 532 17 88-48 | SCREW | 10-16 X 5/8 | 1 |
| 7 | 581 91 26-01 | KNOB | T, Rope Guide | 1 |
| 8 | 581 90 21-01 | GUIDE | Rope | 1 |
| 9 | 532 43 75-16 | PLUG | Plastic, 7/8, 14-20 Gauge | 1 |
| 10 | 588 04 04-01 | BOLT | Concave Head, Retaining | 1 |
| 11 | 586 73 09-02 | HANDLEBAR | Lower 2 piece, Fixed Position | 1 |
| 12 | 532 18 23-98 | KNOB | Handle, Star | 1 |
| 13 | 532 19 79-91 | CLIP | P/Cable | 1 |
| 14 | 532 42 81-24 | FASTENER | Push, 0.250 X 0.783 | 1 |
| 15 | 532 18 23-98 | KNOB | Handle, Star | 1 |
| 16 | 587 39 54-01 | CABLE | Drive, Under-bail | 1 |
| 17 | 587 10 04-13 | GRASS BAG ASSY | | 1 |
| 18 | 586 92 91-02 | BAG FRAME | Grass bag | 1 |

C PR6Y21RP
ENGINE



ENGINE

PR6Y21RP, 961420135, 2016-05

| Ref | Part No | Description | Remark | QTY KIT |
|-----|--------------|-------------|------------------------|---------|
| 2 | 532 12 50-78 | WASHER | Engine | 1 |
| 3 | 532 15 04-06 | BOLT | 3/8-16 | 1 |
| 4 | 587 27 17-01 | ADAPTER | 7/8, 21" | 1 |
| 5 | 586 85 96-02 | BLADE | High Lift | 1 |
| 6 | 532 85 10-74 | WASHER | | 1 |
| 7 | 532 85 02-63 | WASHER | 3/8, Helical Spring | 1 |
| 8 | 532 17 96-17 | SCREW | Hex Head Machine Screw | 1 |