



ILLUSTRATED PARTS LIST

MODEL NO. HD145H42G

14.5 HP 42 Inch

Lawn Tractor

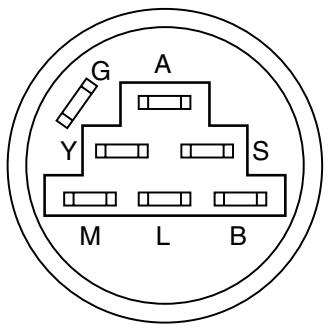
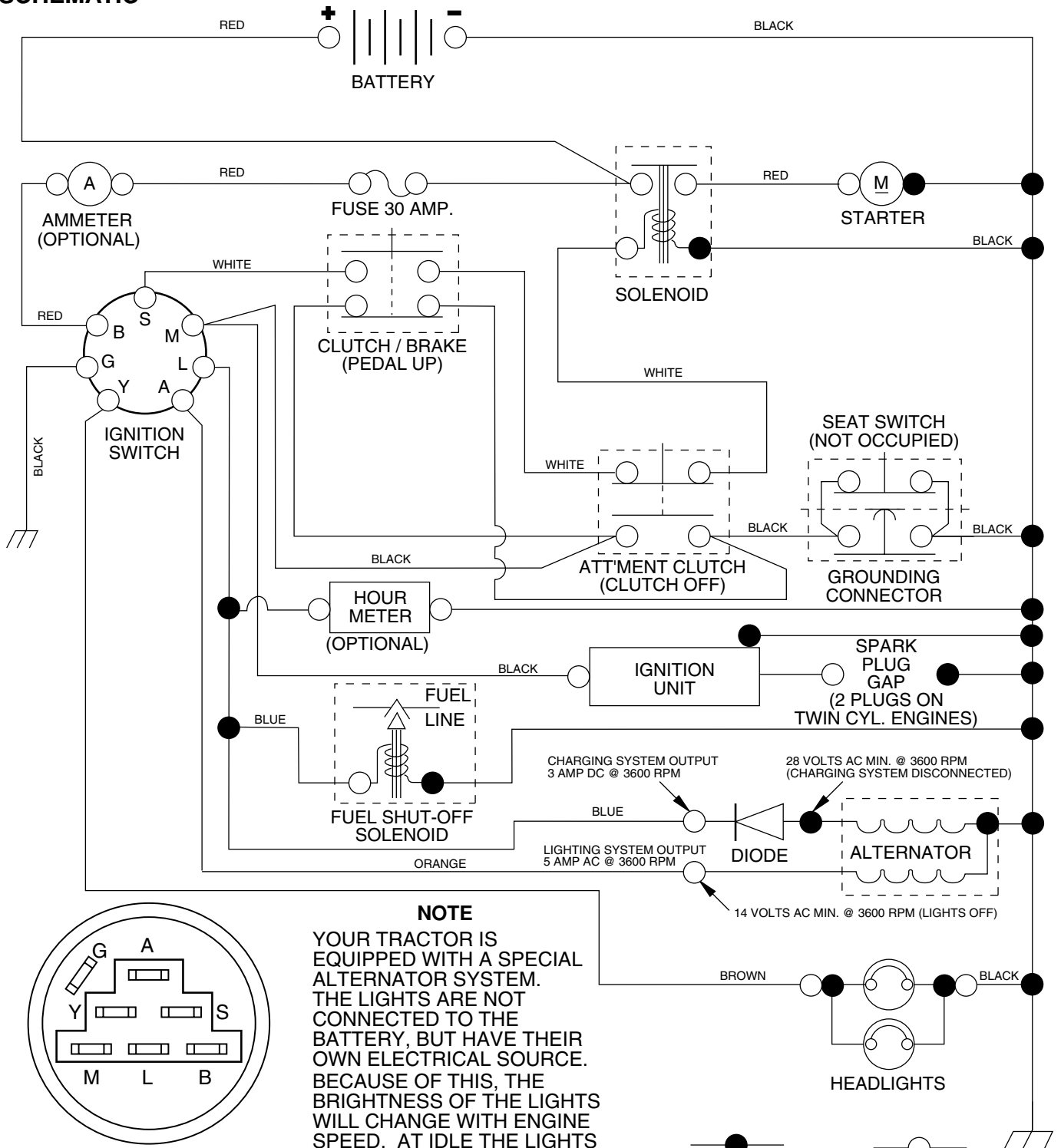
- **Assembly**
- **Operation**
 - **Customer Responsibilities**
 - **Service and Adjustments**
 - **Storage**
 - **Troubleshooting**
 - **Repair Parts**

For Parts and Service, contact our authorized distributor: call 1-800-849-1297
For Technical Assistance: call 1-800-829-5886

Poulan

TRACTOR - - MODEL NUMBER HD145H42G

SCHEMATIC



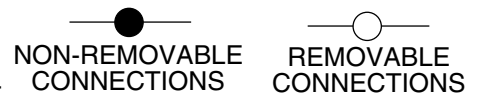
IGNITION SWITCH

POSITION	CIRCUIT	"MAKE"
OFF	G + M + L	NONE
RUN/LIGHT	B + L	A + Y
RUN	B + L	NONE
START	B + L + S	NONE

NOTE
 YOUR TRACTOR IS EQUIPPED WITH A SPECIAL ALTERNATOR SYSTEM. THE LIGHTS ARE NOT CONNECTED TO THE BATTERY, BUT HAVE THEIR OWN ELECTRICAL SOURCE. BECAUSE OF THIS, THE BRIGHTNESS OF THE LIGHTS WILL CHANGE WITH ENGINE SPEED. AT IDLE THE LIGHTS WILL DIM. AS THE ENGINE IS SPEEDED UP, THE LIGHTS WILL BECOME THEIR BRIGHTEST.

WIRING INSULATED CLIPS

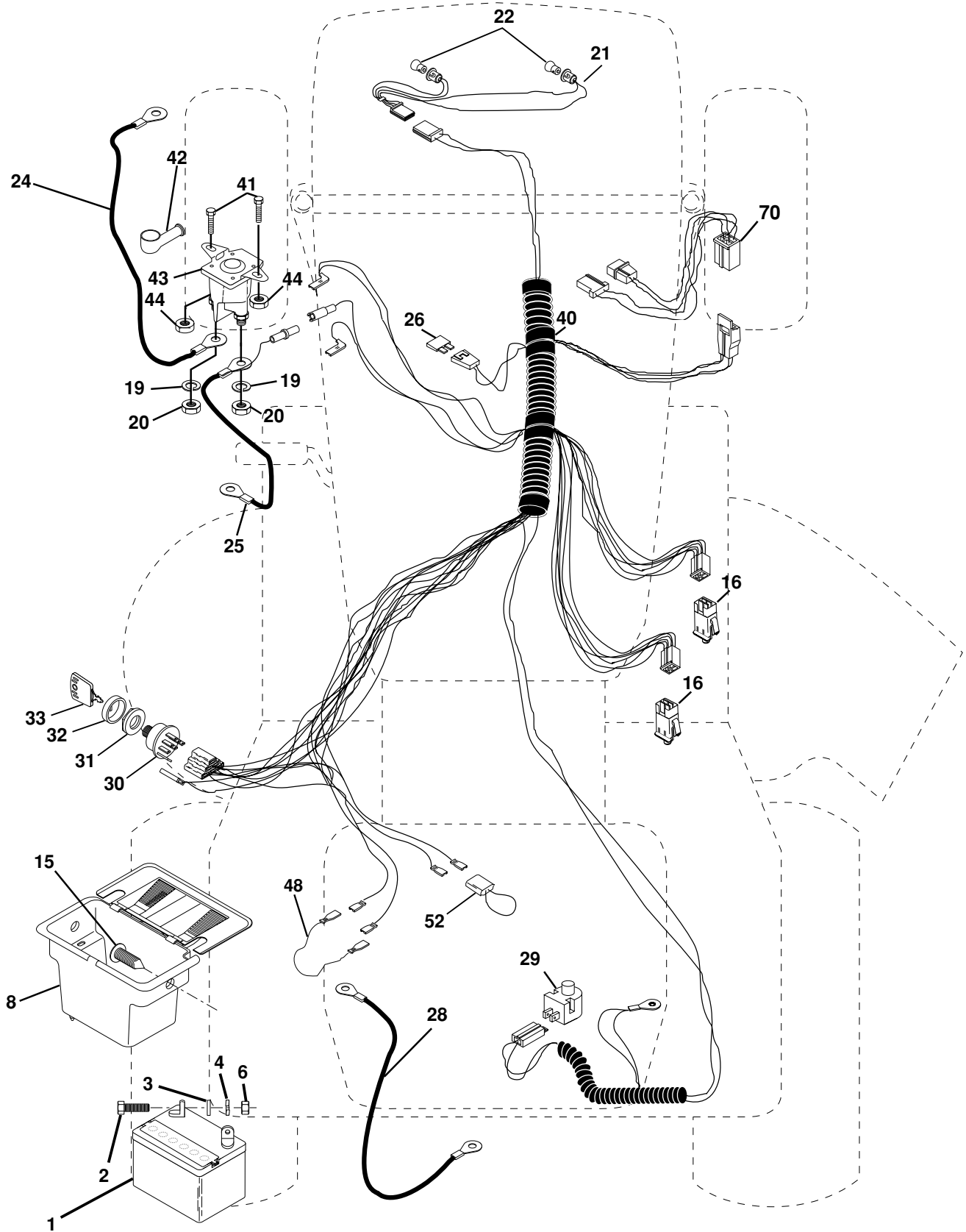
NOTE: IF WIRING INSULATED CLIPS WERE REMOVED FOR SERVICING OF UNIT, THEY SHOULD BE REPLACED TO PROPERLY SECURE YOUR WIRING.



REPAIR PARTS

TRACTOR - - MODEL NUMBER HD145H42G

ELECTRICAL



REPAIR PARTS

TRACTOR - - MODEL NUMBER HD145H42G

ELECTRICAL

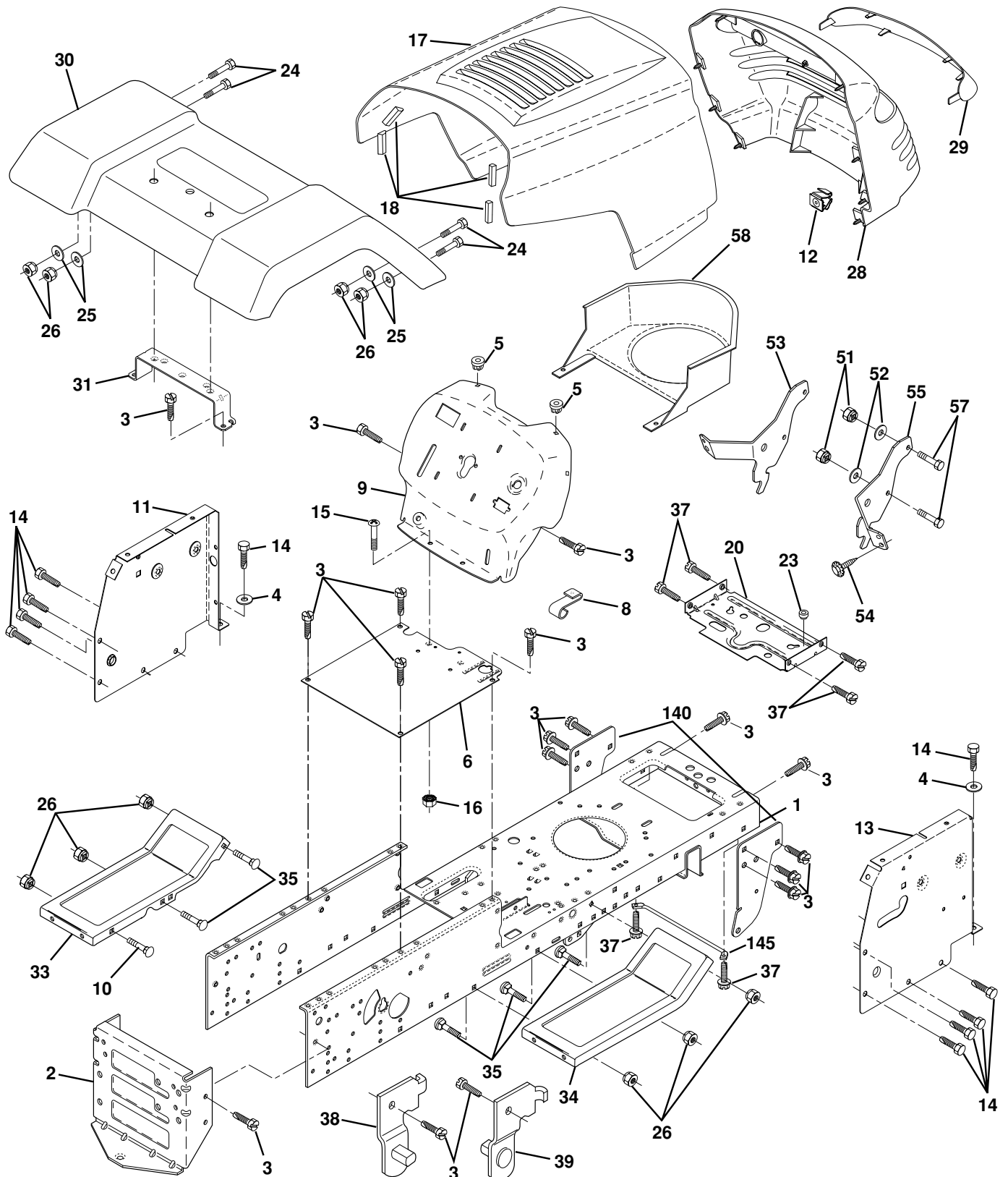
KEY PART NO. NO.	DESCRIPTION
1 144925	Battery 12 Volt 25 Amp
2 74760412	Bolt Hex Hd 1/4-20unc X 3/4
3 19091016	Washer 9/32 X 5/8 X 16 Ga
4 10040400	Washer Lock Hvy Helical 1/4
6 73220400	Nut Fin Hex 1/4-20 Unc
8 156417	Case Battery Mech Hinge
15 147688	Fastener Snap-In
16 153664	Switch Interlock Push-In
19 10090400	Washer Lock 1/4
20 73350400	Nut Jam Hex 1/4-20 Unc
21 136850	Harness Socket Light
22 4152J	Bulb, Light # 1156
24 4799J	Cable Starter 6ga 11" Red
25 146147	Cable Battery 6 Ga Red w/16 wire
26 108824X	Fuse 30 Amp Auto Green
28 4207J	Cable Ground 6ga 12"black
29 121305X	Switch Plunger Nc Gray
30 140301	Switch Ign 4 Pos W/L P/L
31 124211X	Nut Ignition
32 141226	Cover Sw Key
33 122147X	Key Ign Molded Generic
40 156442	Harness Ign
41 71110408	Bolt Fin Hex 1/4-20uncx 1/2
42 131563	Cover Terminal Red
43 145673	Solenoid
44 73640400	Nut Keps Blk Fin Hex 1/4-20 Unc x 1/2
48 140844	Adapter Ammeter Rectangular
52 141940	Protection Loop
70 140422	Harness Eng B&S 14 OHV Dual

NOTE: All component dimensions given in U.S. inches
1 inch = 25.4 mm

REPAIR PARTS

TRACTOR - - MODEL NUMBER HD145H42G

CHASSIS AND ENCLOSURES



REPAIR PARTS

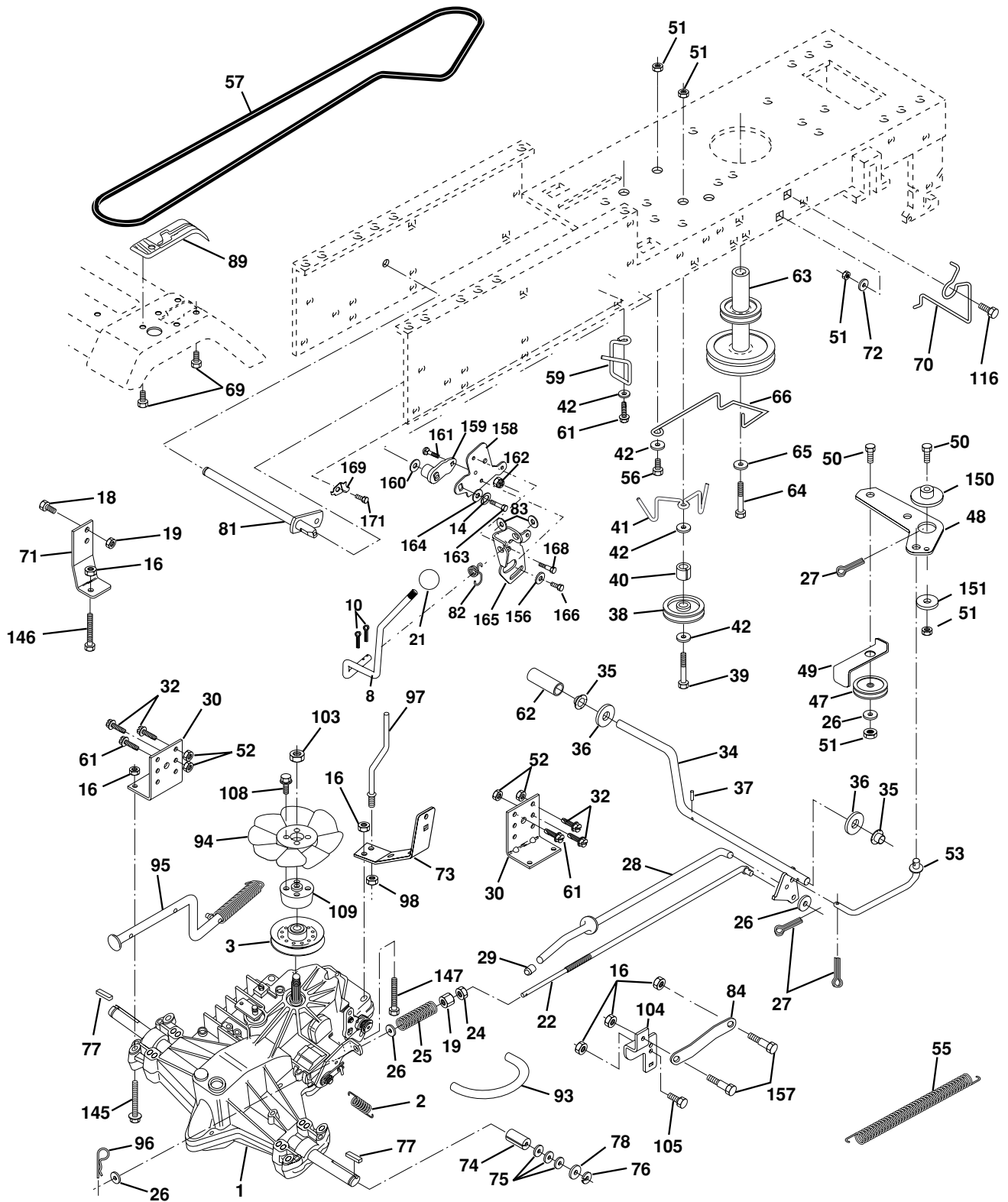
TRACTOR - - MODEL NUMBER HD145H42G

CHASSIS AND ENCLOSURES

KEY NO.	PART NO.	DESCRIPTION
1	159530	Chassis Wldmt.
2	140356	Drawbar Stretch 94
3	17490612	Screw Thdrol. 3/8-16 x 3/4 Ty-Tt
4	19131216	Washer 13/32 x 3/4 x 16 Ga.
5	155272	Bumper Hood/Dash
6	155923	Saddle Fender Shift Flat
8	155138	Clip Retainer Slide-On
9	147627X011	Dash Private Label
10	72140608	Bolt RdHd Sqnk. 3/8-16 Unc x 1
11	155927	Panel Asm. Dash Lh
12	145660	Clip Tinnerman Grile P/L
13	155934X010	Panel Dash Rh
14	17490608	Screw Thdrol. 3/8-16 x 1/2 Ty-Tt
15	74180512	Screw Mach Trhd 5/16-18 Unc x 3/4
16	73510500	Nut Keps 5/16-18 Unc
17	159639X428	Hood Pnt Steel Private Label
18	126938X	Bumper Hood
20	156437	Plate Mtg Battery/Fuel Tank
23	124028X	Bushing Snap Nyl. Blk Fuel Line
24	74780616	Bolt Fin Hex 3/8-16 Unc x 1 Gr. 5
25	19131312	Washer 13/32 x 13/16 x 12 Ga.
26	73800600	Nut Lock Hex w/Insert 3/8-16 UNC
28	157373	Grill Private Lable Blk
29	140273	Lens Grille Private label
30	140001X428	Fender Asm LT w/Shift MS-428
31	136619	Bracket Fender
33	105476X428	Footrest Pnt. Lh Ms-428
34	105475X428	Footrest Pnt. Rh Ms-428
35	72110606	Bolt RdHd Sht. Sqnk. 3/8-16 x 3/4
37	17490508	Screw Thdrol. 5/16-18 x 1/2 Tyt
38	139886	Bracket Asm. Pvt. Lh Mwr. Rear
39	139887	Bracket Asm. Pvt. Rh Mwr. Rear
51	73800400	Nut Lock Hex W/Ins. 1/4-20
52	19091416	Washer 9/32 x 7/8 x 16 Ga.
53	144697	Bracket Grille LH
54	17030814	Screw Lock Spider #8 x 7/8
55	144696	Bracket, Grille RH
57	74780412	Bolt Fin Hex 1/4-20 x .75
58	150127	Air Duct Private Label
140	158418	Bracket Suspension Front
145	156524	Rod Pivot Chassis/Hood
--	5479J	Plug Btn Blk

NOTE: All component dimensions given in U.S. inches
1 inch = 25.4 mm

REPAIR PARTS TRACTOR - - MODEL NUMBER HD145H42G DRIVE



REPAIR PARTS

TRACTOR - - MODEL NUMBER HD145H42G

DRIVE

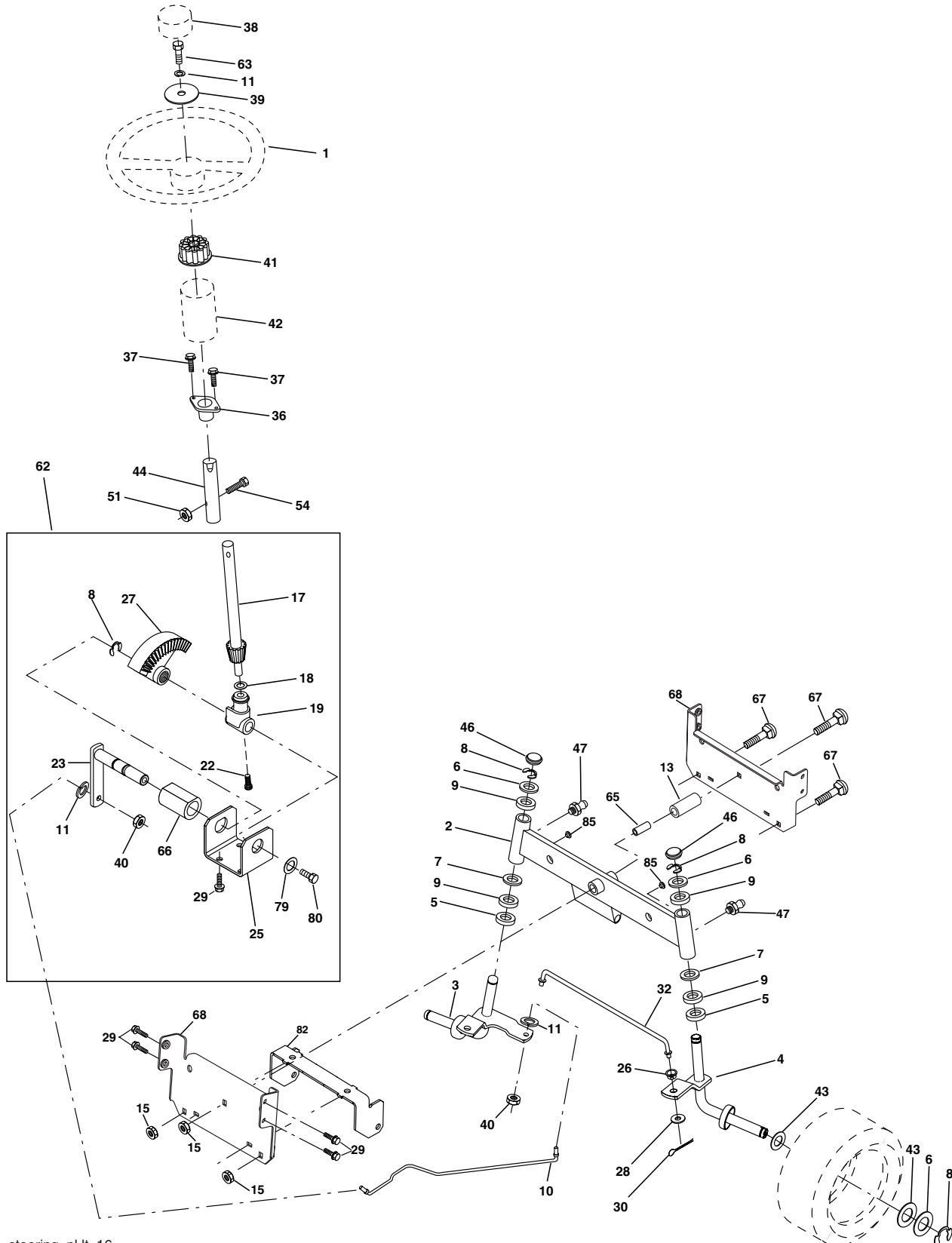
KEY NO.	PART NO.	DESCRIPTION	KEY NO.	PART NO.	DESCRIPTION
1	140607	Transaxle (See Breakdown) Hydro Gr Model 0310-0500	64	71170764	Bolt Hex 7/16 x 4 Gr. 5
2	142431	Spring, Return, Brake	65	10040700	Washer
3	144698	Pulley, Transmission	66	154778	Keeper, Belt Engine
8	141003	Rod, Shift	69	142432	Screw
10	76020416	Pin, Cotter 1/8 x 1	70	134683	Guide, Belt, Mower Drive RH
15	74490544	Bolt Hex FLGHD 5/16-18 Gr. 5	71	141417	Strap, Torque, Lh
16	73800500	Nut, Lock Hex w/Ins 5/16-18 UNC	72	19132012	Washer 13/32 x 1-1/4 x 12 Ga.
18	74780616	Bolt Hex 3/8-16 UNC x 1 Gr.5	73	141418	Strap, Torque, Rh
19	73800600	Nut, Lock Hex w/Wsh 3/8-16 UNC	74	121199X	Spacer, Split
21	106933X	Knob Rd. 1/2-13 Plstc. Thds. Blk.	75	121749X	Washer 25/32 x 1-1/4 x 16 Ga.
22	145627	Rod, Brake	76	12000001	Ring, E
24	73350600	Nut	77	123583X	Key, Square
25	106888X	Spring, Rod, Brake	78	121748X	Washer 25/32 x 1-5/8 x 16 Ga.
26	19131316	Washer 13/32 x 13/16 x 16 Ga.	81	156048	Asm, Shaft
27	76020412	Pin, Cotter 1/8 x 3/4	82	123782X	Spring, Torsion
28	145204	Rod, Parking Brake	83	19171216	Washer 17/32 x 3/4 x 16 Ga.
29	71673	Cap, Parking Brake	84	141423	Rod, Tie
30	130807	Bracket, Transmission	86	71208	Bushing, Steering Rod
32	74760512	Bolt Hex 5/16-18 UNC x 3/4	87	19212016	Washer 21/32 x 1-1/4 x 16 Ga.
34	155071	Shaft, Foot Pedal	88	12000008	Ring, Clip
35	120183X	Bearing, Nylon	89	151147	Console, Shift
36	19211616	Washer	91	74780536	Bolt Hex 5/16-18 x 2-1/4
37	1572H	Pin, Roll	92	74780524	Bolt Hex 5/16-18 UNC x 1-1/2
38	123674X	Pulley, Idler, Flat	93	142564	Line Fuel
39	74760644	Bolt	94	140462	Fan 7"
40	4470J	Spacer, Split	95	144643	Control Asm Bypass Hydro
41	154777	Keeper, Belt	96	4479H	Spring, Retainer 1"
42	19131312	Washer 13/32 x 13/16 x 12 Ga.	97	144201	Keeper, Belt Rh
47	127783	Pulley, Idler, V-Belt	98	73510600	Nut Keps 3/8-16 UNC
48	154604	Asm, Bell Crank	100	19111216	Washer 11/32 x 3/4 x 16 Ga.
49	123205X	Retainer, Belt	103	73940800	Nut Hex Jam Toplock 1/2-20 UNF
50	74760624	Bolt	104	141421	Arm, Control Pump 500 Hydro
51	73680600	Nut	105	71070516	Bolt, Head Hex 5/16 x 18 x 1
52	73680500	Nut Crownlock 5/16-18	106	74780520	Bolt H 5/16-18 UNC x 1-1/4
53	105710X	Link, Clutch	108	17541026	Screw Hex Wh Hd #10-24 x 1-5/8
55	105709X	Spring, Return, Clutch	109	145098	Adaptor Fan Hydro Lt Hyd Alum
56	74760620	Bolt, Hex 3/8-16 UNC x 1-1/4	116	72110610	Bolt Carriage 3/8-16 x 1.25
57	141416	V-Belt, Drive	118	154774	Spacer, Bellcrank
59	140312	Keeper, Belt, Center	121	154419	Nyliner, Clutching Stl
61	17490612	Screw, Thdrol 3/8-16 x 3/4 Type TT			
62	8883R	Cover, Pedal			
63	140186	Pulley, Engine			

NOTE: All component dimensions give in U.S. inches.
1 inch = 25.4 mm.

REPAIR PARTS

TRACTOR - - MODEL NUMBER HD145H42G

STEERING ASSEMBLY



steering_pl.lt_16

REPAIR PARTS

TRACTOR - - MODEL NUMBER HD145H42G

STEERING ASSEMBLY

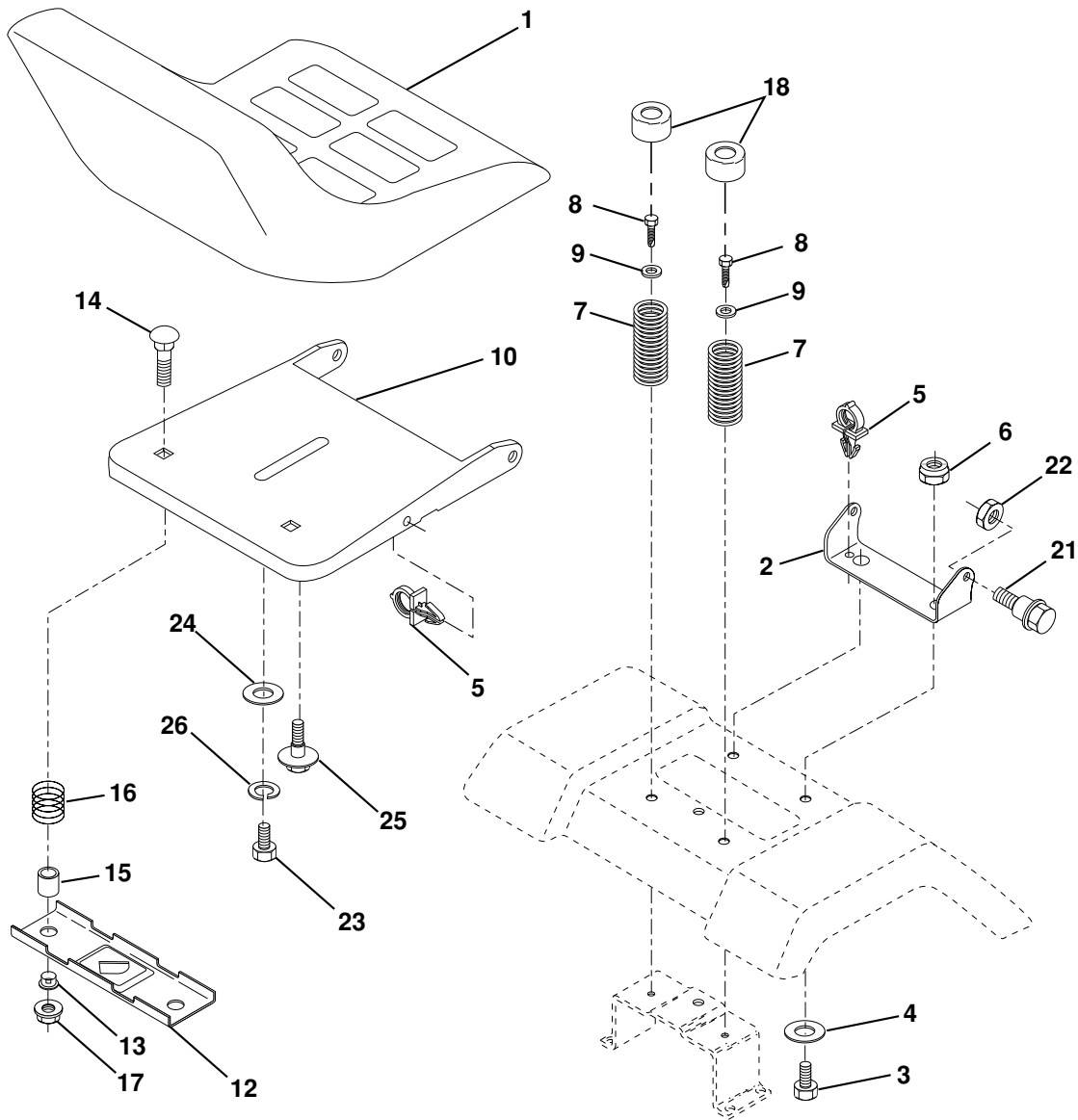
KEY	PART	
NO.	NO.	DESCRIPTION
1	140044	Wheel Steering Ayp/kelch Blk
2	154427	Axle Asm Fr
3	156483	Spindle Asm LH
4	157473	Spindle Asm RH
5	6266H	Bearing Race Thrust Harden
6	121748X	Washer 25/32 X 1-5/8 X 16 Ga
7	19272016	Washer 27/32 X 1-1/4 X 16 Ga
8	12000029	Ring Klip #t5304-75
9	3366R	Bearing Col Strg Blk
10	156438	Link Drag Extended Stamped
11	10040600	Washer Lock Hvy Hlcl Spr 3/8
13	154779	Bearing Axle
15	73901000	Nut Lock Flange 5/8-11 Unc
17	156546	Shaft Asm Strg
18	57079	Washer Thrust 515x 750x 033
19	124035X	Support Shaft
20	126684X	Washer Shim 1/4 X 5/8 X 062
22	71200410	Screw Hex Socket 1/4-20 x 5/8
23	127501	Shaft Asm Pittman
25	154406	Bracket Steering
26	126847X	Bushing Link Drag Blk LR
27	136874	Gear Sector 22 Teeth
28	19131416	Washer 13/32 X 7/8 X 16 Ga
29	17490612	Screw Thdrol 3/8-16x3/4 Ty-tt
30	76020412	Pin Cotter 1/8 X 3/4 Cad
32	130465	Rod Tie Wire Form 19 75 Mech
36	155099	Bushing Steering
37	152927	Screw
38	140045	Cap Wheel Steer Ayp
39	19133808	Washer 13/32 x 2-3/8 x 8 Ga
40	7810H	Nut Lock Center 3/8-24 Unf
41	100711L	Adapter Wheel Strg
42	145054	Boot Dash P/L Steering
43	121749X	Washer 25/32 X 1 1/4 X 16 Ga
44	153720	Extension Steering
46	121232X	Cap Spindle Fr Top Blk
47	6855M	Fitting Grease
51	73800500	Nut Lock Hex W/Ins. 5/16-18 Unc P
53	73680600	Nut, Crownlock 3/8-16 UNC
54	74780520	Bolt Fin Hex 5/16-18 Unc P
62	156594	Kit Steering Assembly Service
63	74780616	Bolt Fin Hex 3/8-16unc x 1 Gr. 5
65	154780	Spacer Axle
66	154404	Bearing Arm Pittman
67	74781044	Bolt Fin Hex 5/8-11 Unc x 2-3/4
68	154429	Brace Axle
69	160367	Spacer, Brace, Axle
70	74780636	Bolt, Fin Hex 3/8-16 UNC x 2-1/4

NOTE: All component dimensions given in U.S. inches
1 inch = 25.4 mm

REPAIR PARTS

TRACTOR - - MODEL NUMBER HD145H42G

SEAT ASSEMBLY



KEY PART

NO.	NO.	DESCRIPTION
1	140116	Seat 2300/1316 Blk/blk AYPPL
2	140551	Bracket Pivot Seat 8 720
3	74760616	Bolt Fin Hex 3/8-16 Unc x 1
4	19131610	Washer Flat 13/32 x 1 x 10 Ga
5	145006	Clip Push In Hinged
6	73800600	Nut Crownlock 3/8-16 Unc
7	124181X	Spring Seat Cprsn 2 250 Blk Zi
8	17490616	Screw Thdrol 3/8-16 X 1 Ty-tt
9	19131614	Washer 13/32 X 1 X 14 Ga
10	155925	Pan Seat
12	121246X	Bracket Mounting Switch
13	121248X	Bushing Snap Blk Nyl 50 Id
14	72050412	Bolt Rdhd Sht Nk 1/4-20x1-1/2

KEY PART

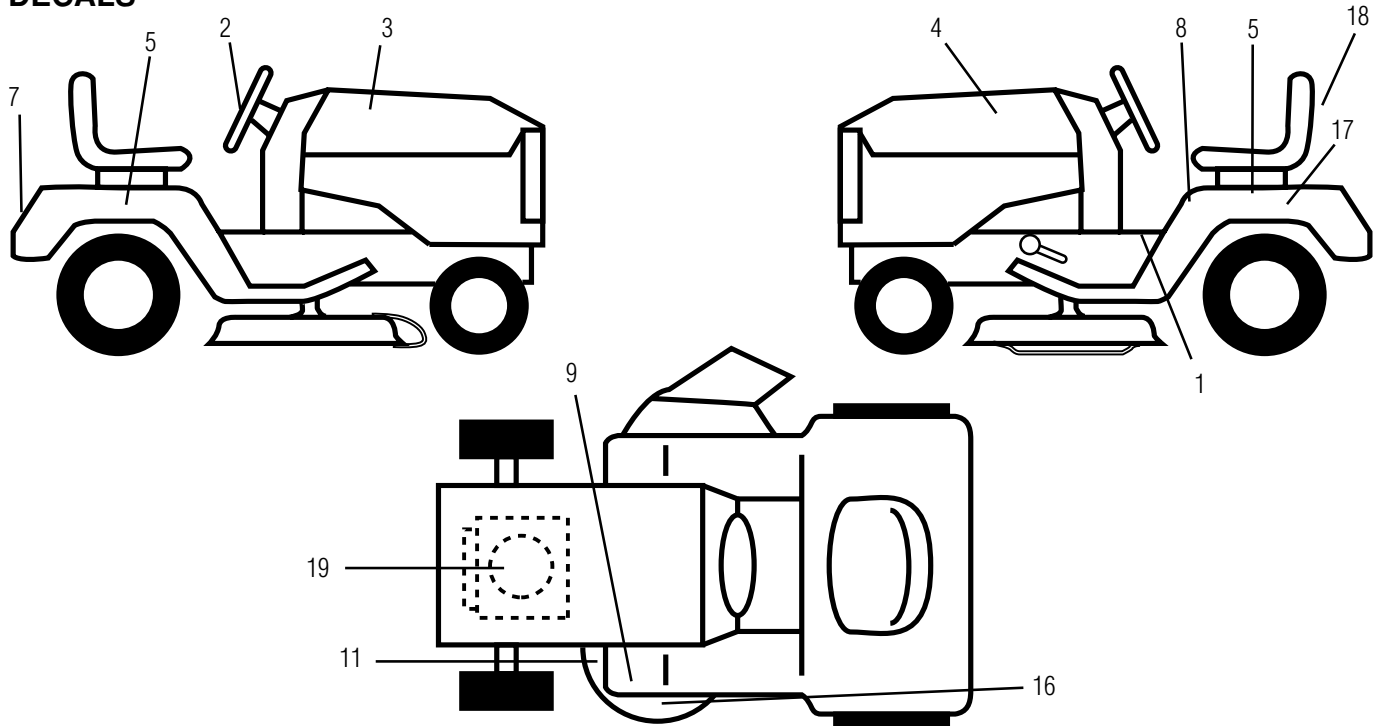
NO.	NO.	DESCRIPTION
15	134300	Spacer Split 28x96 Yel Zinc
16	121250X	Spring Cprsn 1 27 Blk Pnt
17	123976X	Nut Lock 1/4 Lge Flg Gr 5 Zinc
18	124238X	Cap Spring Seat
21	153236	Bolt Shoulder 5/16-18 Unc Blkz
22	73680500	Nut Crown Lock 5/16-18
23	74780814	Bolt Fin Hex 1/2-13 X 7/8 Gr 5
24	19171912	Washer 17/32 X 1-3/16 X 12 Ga
25	127018X	Bolt Shoulder 5/16-18 X 62
26	10040800	Washer Lock Hvy Hlcl Spr 1/2

NOTE: All component dimensions given in U.S. inches
1 inch = 25.4 mm

REPAIR PARTS

TRACTOR - - MODEL NUMBER HD145H42G

DECALS



KEY PART

NO.	NO.	DESCRIPTION
1	158181	Decal Saddle Inst. Oper Eng/Sp P/L
2	158168	Decal Steering Wheel Insert
3	158037	Decal Hood RH
4	158038	Decal Hood LH
5	158167	Decal Fender Sd Lawn
7	158166	Decal Fender Logo
8	157141	Decal Caution Fender Eng/Sp
9	141897	Decal Clutch/brake Eng/Sp
11	160396	Decal V-Belt Sch
16	158169	Decal Mulch Bag Poulan
17	145005	Decal Btry Dngr/Psn P/L Sym
18	158176	Decal Seat Acc

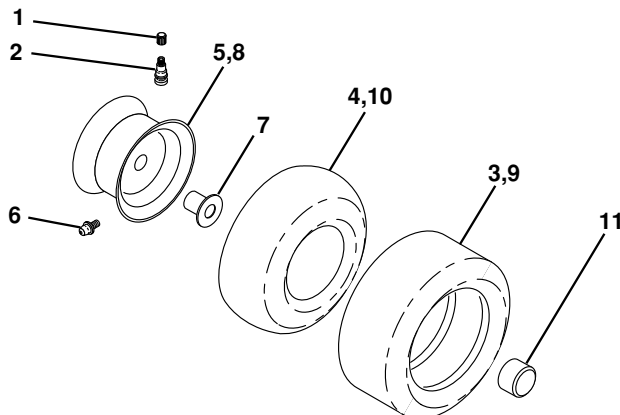
KEY PART

NO.	NO.	DESCRIPTION
19	158172	Decal Replcment Engine
--	138311	Decal Handle Lft Height Adjust
--	142341	Decal Drawbar Cntrl Mvt Hyd LT
--	161609	Manual Owner's English
--	161609	Manual Owner's Spanish

Available accessories not included with tractor:

--	LBD48	42" Snow Blade
--	LSB42	42" Snow Blower
--	LC05	Wheel Weights
--	C42	Grass Catcher
--	LA018	Tire Chains
--	MK420	Mulch Kit w/Blades

WHEELS AND TIRES



KEY PART

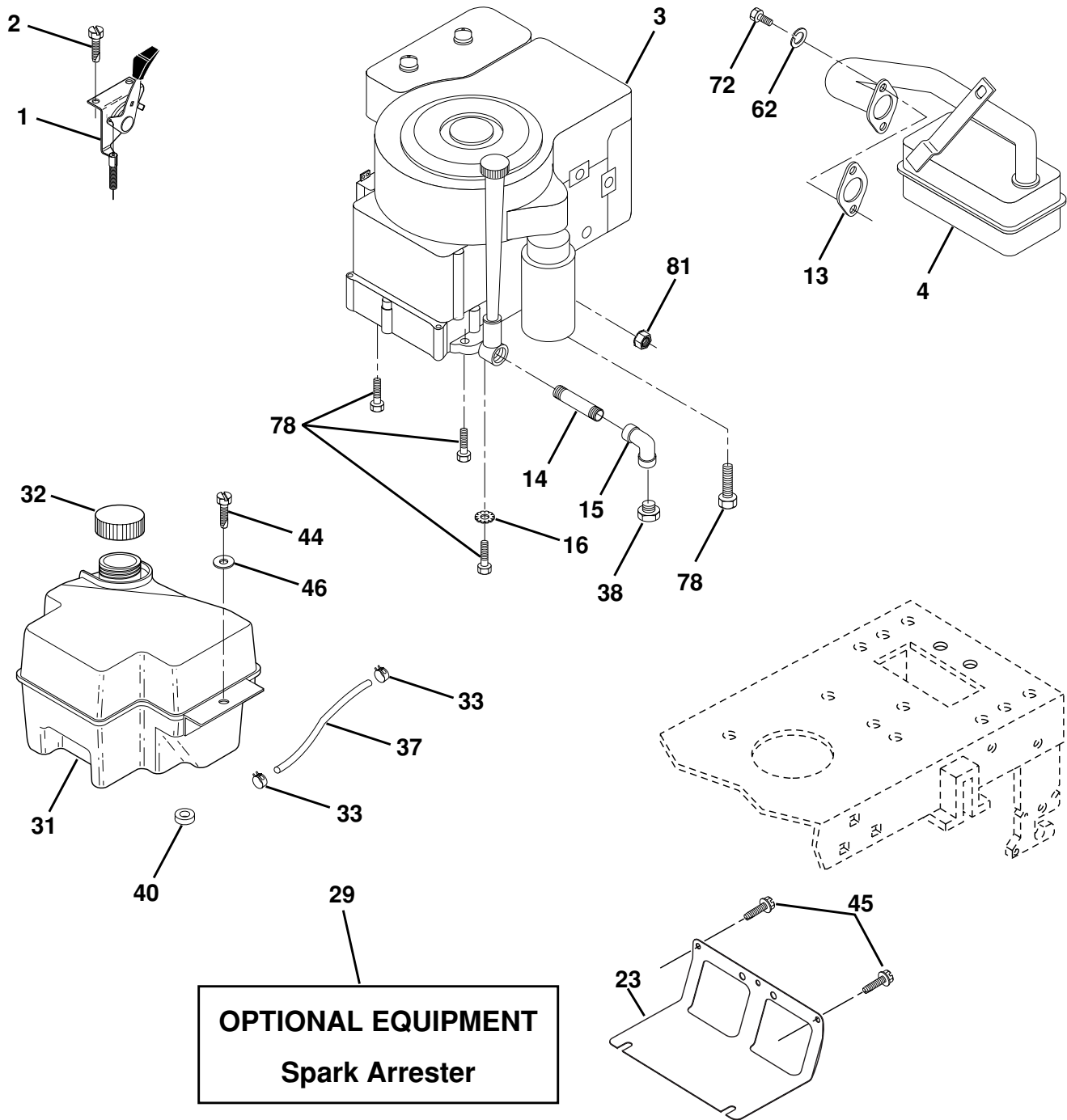
NO.	NO.	DESCRIPTION
1	59192	Cap Valve Tire
2	65139	Stem Valve
3	106222X	Tire F Ts 15 X 6 0 - 6 Service
4	59904	Tube Front (Service Item Only)
5	106732X427	Rim Asm 6" front White Service
6	278H	Fitting Grease (Front Wheel Only)
7	9040H	Bearing Flange (Front Wheel Only)
8	106108X427	Rim Asm 8" rear White Service
9	106268X	Tire R Ts 18 x 9.5-8 C Service
10	7152J	Tube Rear (Service Item Only)
11	104757X	Cap Axle Blk 1 50 X 1 00
--	144334	Sealant, Tire (10 oz. Tube)

NOTE: All component dimensions given in U.S. inches
1 inch = 25.4 mm

REPAIR PARTS

TRACTOR - - MODEL NUMBER HD145H42G

ENGINE



REPAIR PARTS

TRACTOR - - MODEL NUMBER HD145H42G

ENGINE

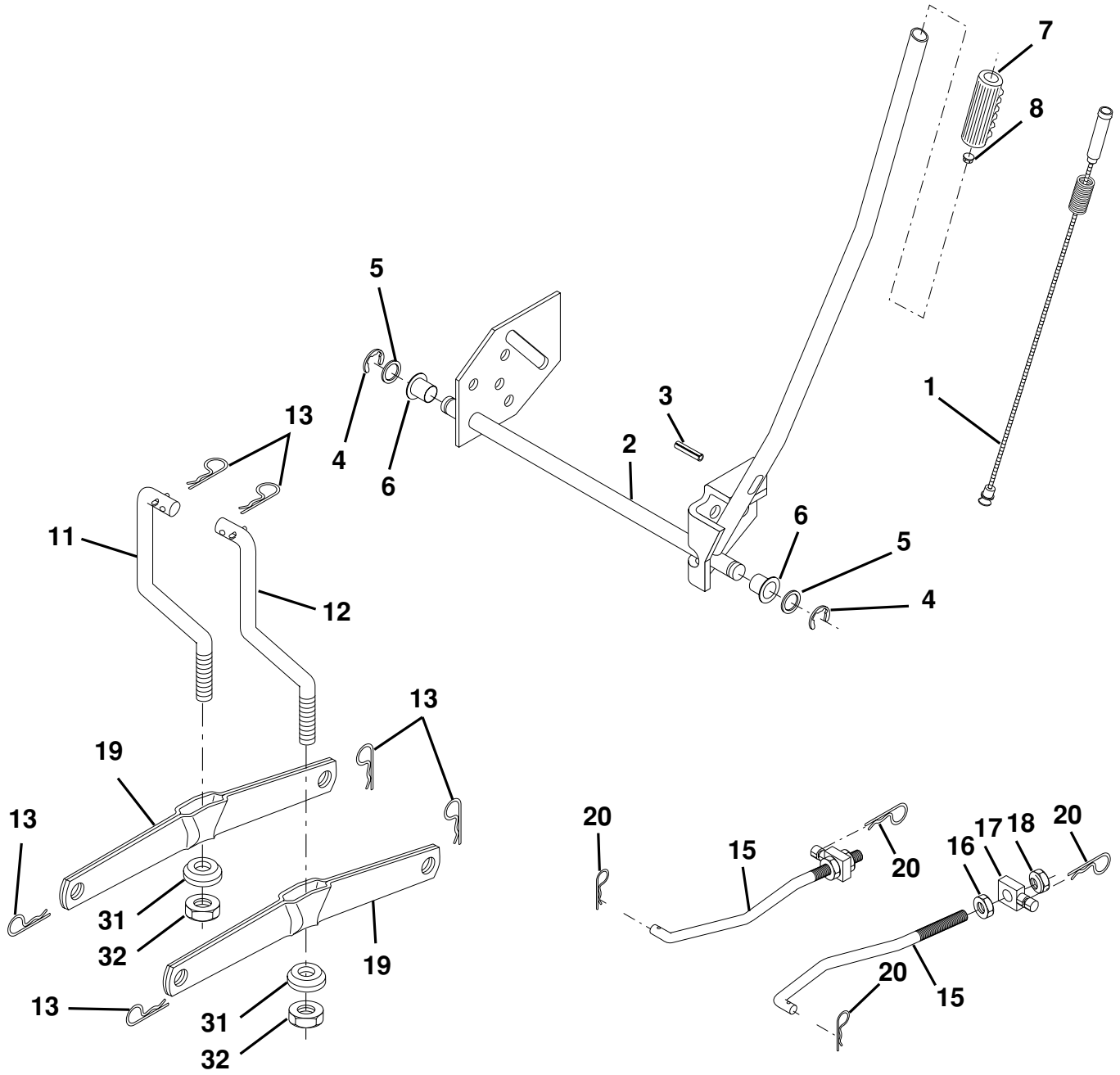
KEY NO.	PART NO.	DESCRIPTION
1	140310	Control Th/ch LH Flag 23.5
2	17720410	Screw Hex Thd Cut 1/4-20x5/8 T
3	-----	Engine B&S 287777
4	137352	Muffler Exhaust LT B&S 14HP IC OHV
13	272293	Gasket Eng 1 313 Id Tin Plated
14	13280324	Nipple Pipe 3/8 Npt X 3"
15	13200300	Elbow Std 90 Degree 3/8-18 Npt
16	11050600	Washer Lock Ext Tooth 3/8
23	156123	Shield Browning
29	137180	Kit Spark Arrestor (Flat Scrn)
31	140280	Tank Fuel Front
32	140527	Cap Asm Fuel
33	123487X	Clamp Hose
35	17490512	Screw Thdrol 5/16-18 x 3/4 TYT
37	137040	Line Fuel 20"
38	-----	Oil Drain Plug (Order From Engine Manufacturer)
40	124028X	Bushing Snap Nyl Blk Fuel Line
44	17490412	Screw Thdrol 1/4-20 x 3/4
46	19091416	Washer 9/32 x 7/8 x 16 Ga
62	10040500	Washer Lock Hvy Hlcl Spr 5/16
72	71070512	Screw Hex Hd Cap 5/16-18 x 3/4
78	17490620	Screw Thdrol 3/8-16x1-1/4 TYTT
81	128861	Nut Flange 1/4-20 Starter Nut

NOTE: All component dimensions given in U. S. inches 1 inch = 25.4 mm

REPAIR PARTS

TRACTOR - - MODEL NUMBER HD145H42G

LIFT



REPAIR PARTS

TRACTOR - - MODEL NUMBER HD145H42G

LIFT

KEY PART

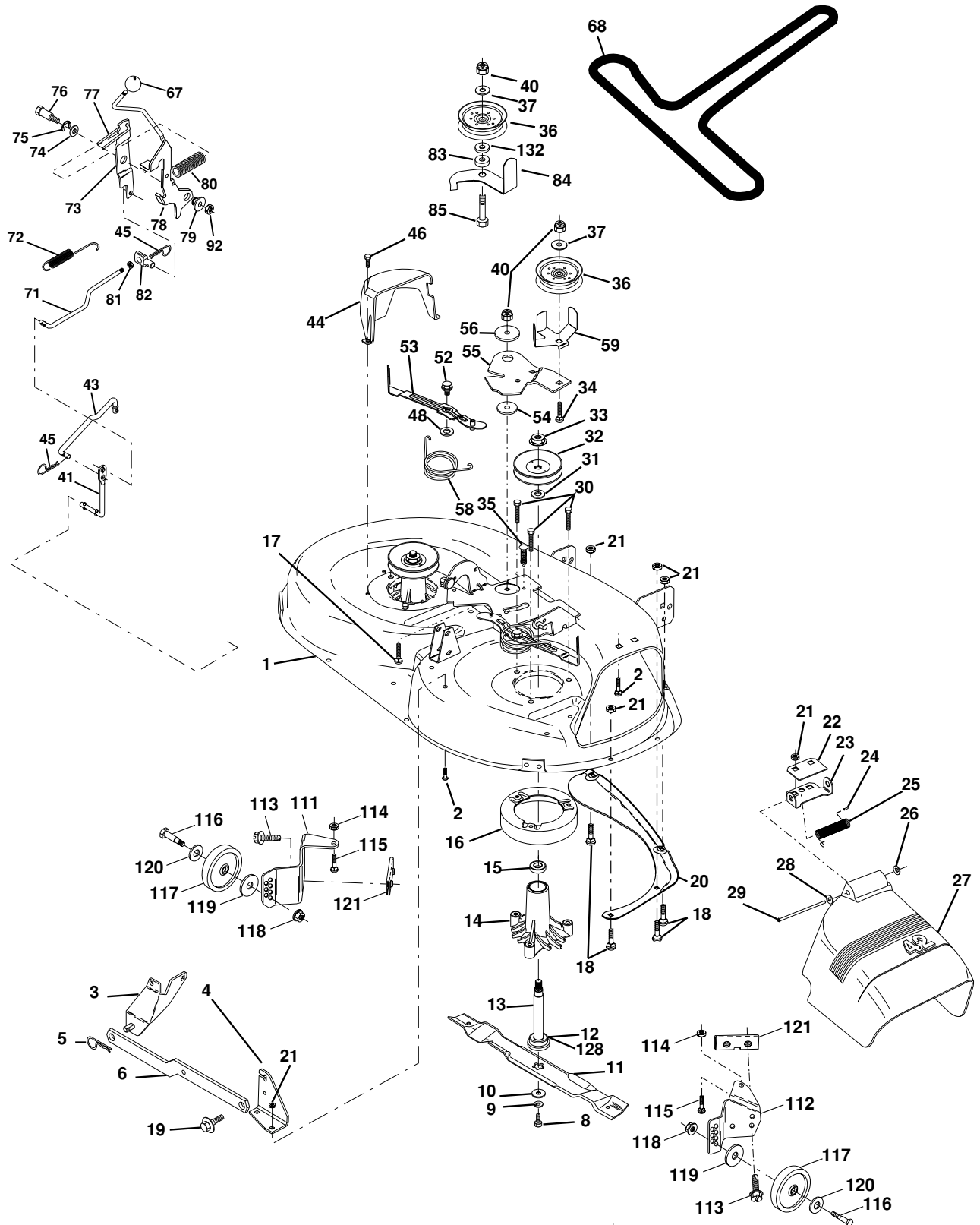
NO.	NO.	DESCRIPTION
1	159460	Wire Asm Inner W/Plunger
2	159471	Shaft Asm Lft
3	105767X	Pin Groove
4	12000002	E-ring Truarc #5133-62
5	19211621	Washer Pltd 21/32 X 1 X 21 Ga
6	120183X	Bearing Nylon
7	109413X	Grip Handle Bicycle
8	124526X	Button Plunger Black
11	139865	Link Lift LH
12	139866	Link Lift RH
13	4939M	Retainer Spring
15	127218	Link Front
16	73350800	Nut Jam Hex 1/2-13 Unc
17	130171	Trunnion Blk Zinc
18	73800800	Nut Lock W/wsh 1/2-13unc
19	139868	Arm Suspension Rear
20	3146R	Retainer Spring
31	140302	Bearing Pvt. Lift Spherical
32	73540600	Nut Crownlock 3/8-24

NOTE: All component dimensions given in U.S. inches
1 inch = 25.4 mm

REPAIR PARTS

TRACTOR - - MODEL NUMBER HD145H42G

MOWER DECK



REPAIR PARTS

TRACTOR - - MODEL NUMBER HD145H42G

MOWER DECK

KEY PART

NO.	NO.	DESCRIPTION
1	144393	Mower Housing
2	72140506	Bolt Rdhd Sqnk 5/16-18unc X3/4
3	138017	Bracket Asm Fr Sway Bar 38/42
4	138440	Bracket Asm Deck 42" sway Bar
5	4939M	Retainer Spring
6	130832	Arm Suspension Rear
8	850857	Bolt 3/8-24 X 1 1/4
9	10030600	Washer Lock Hvy 3/8
10	140296	Washer Hard Blade Mower Vented
11	138498	Blade High Perf 42"
12	129895	Bearing Ball
13	137645	Shaft Asm W/lower Bearing
14	128774	Housing Mandrel Vented
15	110485X	Bearing Ball Mandrel
16	140329	Stripper Mower Vented
17	72110610	Bolt Rdhd Sqnk 3/8-16 X 1-1/4
18	72140505	Bolt Rdhd Sqnk 5/16-18 X 5/8
19	132827	Bolt Shoulder
20	136888	Baffle Vortex 42
21	73680500	Nut Crownlock 5/16-18 UNC
22	134753	Stiffener Bracket 42" deck
23	131267	Bracket Deflector Mower 42"
24	105304X	Cap Sleeve 80x 112 Blk Mower
25	123713X	Spring Torsion Deflector 2 52
26	110452X	Nut Push Phos & Oil
27	130968	Shield Deflector Mower 42" Blk
28	19111016	Washer 11/32 X 5/8 X 16 Ga
29	131491	Rod Hinge 42" 6 75 Wlg
30	157772	Screw Thdrol Washer Head
31	129963	Washer Spacer Mower Vented
32	153535	Pulley Mandrel 42"
33	137266	Nut 9/16 Top Lock Flng
34	72110614	Bolt Rdhd 3/8-16uncx1-3/4 Gr5
35	133835	Fastner Christmas Tree
36	131494	Pulley Idler Flat 3 060
37	19131316	Washer 13/32 x 13/16 x 16 Ga
40	73680600	Nut Crownlock 3/8-16 UNC
41	133551	Rod Pivot W/nibs
43	140083	Rod Clutch Secondary W/nibs
44	140088	Guard Mandrel LH Black
45	4497H	Spring Retainer 1" Zinc/cad
46	137729	Screw Hex Thd Cut
48	133944	Washer Hardened Smaller
49	155066	Roller Asm Cam Follower 42" dec
50	131340	Bolt Shldr 10-24 Zinc Gr 5 42"
51	69180	Nut Lock #10-24 Unc

KEY PART

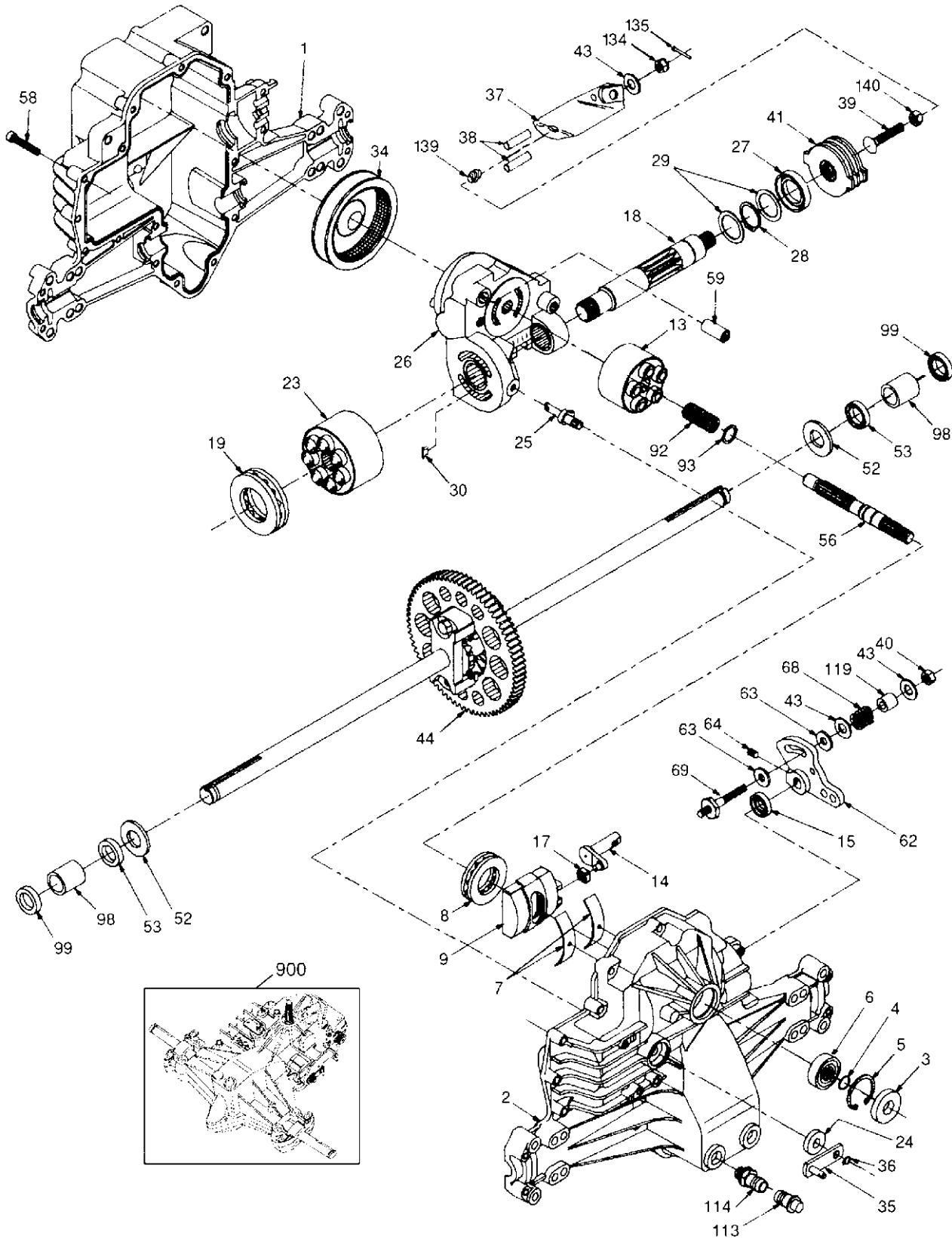
NO.	NO.	DESCRIPTION
52	139888	Bolt Shoulder 5/16-18 Unc Blkz
53	131845X900	Arm Asm Pad Brake
54	133943	Washer Hardened
55	155046	Arm Idler 42" mower LT/YT
56	122052X	Spacer Retainer Pm Mower
58	140086	Spring Torsion Brakes 42"
59	141043	Guard TUV Idler
67	106932X	Knob Rd 3/8-16
68	144200	V-Belt Mower
71	142427	Rod Clutch Primary 38/42
72	131870	Spring Return
73	127847	Arm Clutch Secondary
74	121748X	Washer 25/32 X 1-5/8 X 16 Ga
75	12000029	Ring Klip #t5304-75
76	128903	Bolt Shoulder 3/8-16 Unc 1 44
77	127845	Keeper Spring 4 000
78	154809	Lever Asm Clutch Primary P/L
79	127498	Bushing 747 Od X 794 Lg Brass
80	153701	Spring Clutch Mower
81	73350600	Nut Hex Jam 3/8-16 Unc
82	142028	Trunnion Adj
83	120958X	Washer Sintered
84	156084	Keeper Belt Idler
85	72140618	Bolt Rdhd Sqnk 3/8-16 x 2-1/4
92	73800600	Nut Lock Hex w/Ins 3/8-16 Unc
111	155197	Bracket Gauge Wheel Lh
112	155198	Bracket Gauge Wheel Rh
113	17490512	Screw Thdrol 5/16-18 x 3/4
114	73510500	Nut Keps 5/16-18 Unc
115	72110504	Bolt Carr 5/16-Unc x 1/2
116	4898H	Bolt Shoulder
117	105455X	Wheel Gauge Blk
118	73930600	Nut Centerlock 3/8-16 Unc
119	19121414	Washer 3/8 x 7/8 x 14 Gauge
120	19171512	Washer 17/32 x 15/16 x 12 Gauge
121	143723	Bracket Extruded Gauge Wheel
128	153390	Washer Felt
13219132203		Washer 13/32 x 1-3/8 x 3 Ga.
--	130794	Mandrel Asm Service (Includes Key Nos. 8-10, 12-15, 31 and 33)
--	144783	Deck Serv (Std. Deck - Order seperately gauge wheel components 111-121.)

NOTE: All component dimensions given in U.S. inches
1 inch = 25.4 mm

REPAIR PARTS

TRACTOR - - MODEL NUMBER HD145H42G

TRANSAXLE HYDRO GEAR - MODEL NUMBER 310-0500



REPAIR PARTS

TRACTOR - - MODEL NUMBER HD145H42G

TRANSAXLE HYDRO GEAR - MODEL NUMBER 310-0500

KEY PART NO.	NO.	DESCRIPTION	KEY PART NO.	NO.	DESCRIPTION
1	142986	Housing, Lower	40	150778	Locknut, Hex 5/16-24 UNJC
2	142987	Assembly, Upper Housing	41	142958	Brake Rotor/Stator Kit
3	142932	Seal, Lip	43	142884	Washer 7/16 x 7/8 x .060
4	142928	Ring, Wire Retaining	44	142990	Differential Assembly
5	142933	Ring, Retaining	52	142991	Washer 3/4 x 1.5 x .13
6	142934	Bearing, Shaft Ball	53	142961	Seal .75 x 1.25 x .250
7	142935	Bearing, Cradle	56	142963	Shaft, Input
8	150771	Bearing, Thrust 30 x 52 x 13	58	142964	Bolt 1/4-20 x 1.38
9	142937	Swashplate, Variable	59	142965	Pin .5 OD x .43 ID x .750
13	142938	Block, Cylinder Assembly	62	142966	Arm, Control
14	142939	Arm, Trunnion	63	142967	Puck, Dampener
15	142940	Seal, Lip	64	142920	Set Screw
17	142941	Guide, Slot	68	142969	Spring
18	150772	Shaft, Motor	69	144610	Stud 5/16-24
19	150773	Bearing, Thrust 42 x 68 x 16	92	142977	Spring, Block
23	142944	Block, Cylinder Assembly	93	142978	Washer, Block Thrust
24	142945	Seal, Lip 10 x 25 x 7	98	142993	Sleeve Bearing
25	142946	Actuator, Bypass	99	142976	Seal, Wiper
26	150774	Center Section Assembly Kit	113	142917	Cap, Vent Assembly
27	142948	Seal, Lip 26 x 42 x 8	114	142918	Fitting, O-Ring Assembly
28	142949	Ring, Retaining	119	142980	Spacer
29	142950	Washer 26 x 35 x 1	134	144607	Nut, Castle 5/16-24
30	150787	Nut, Jam	135	144608	Pin, Cotter
34	142951	Oil Filter Element	139	150775	Spring, Compression
35	142952	Arm, Bypass	140	150776	Nut, Hex 5/16-24
36	142953	Ring, Retaining			
37	142954	Arm, Actuating			
38	142955	Pin, Actuating			
39	150777	Bolt 5/16-24 x 1-3/4			

NOTE: All component dimensions given in U.S. inches
1 inch = 25.4 mm

SERVICE NOTES

SERVICE NOTES

LIMITED WARRANTY

The Manufacturer warrants to the original consumer purchaser that this product as manufactured is free from defects in materials and workmanship. For a period of two (2) years from date of purchase by the original consumer purchaser, we will repair or replace, at our option, without charge for parts or labor incurred in replacing parts, any part which we find to be defective due to materials or workmanship. This Warranty is subject to the following limitations and exclusions.

1. This warranty does not apply to the engine, other than AYP manufactured transaxle/transmission components, battery (except as noted below) or components parts thereof. Please refer to the applicable manufacturer's warranty on these items.
2. Transportation charges for the movement of any power equipment unit or attachment are the responsibility of the purchaser. Transportation charges for any parts submitted for replacement under this warranty must be paid by the purchaser unless such return is requested by American Yard Products.
3. Battery Warranty: On products equipped with a Battery, we will replace, without charge to you, any battery which we find to be defective in manufacture, during the first ninety (90) days of ownership. After ninety (90) days, we will exchange the Battery, charging you 1/12 of the price of a new Battery for each full month from the date of the original sale. Battery must be maintained in accordance with the instructions furnished.
4. The Warranty period for any products used for rental or commercial purposes is limited to 90 days from the date of original purchase.
5. This Warranty applies only to products which have been properly assembled, adjusted, operated, and maintained in accordance with the instructions furnished. This Warranty does not apply to any product which has been subjected to alteration, misuse, abuse, improper assembly or installation, delivery damage, or to normal wear of the product.
6. Exclusions: Excluded from this Warranty are belts, blades, blade adapters, normal wear, normal adjustments, standard hardware and normal maintenance.
7. In the event you have a claim under this Warranty, you must return the product to an authorized service dealer.

Should you have any unanswered questions concerning this Warranty, please contact:

American Yard Products
Service Department
P.O. Box 1687
Orangeburg, SC 29116 USA

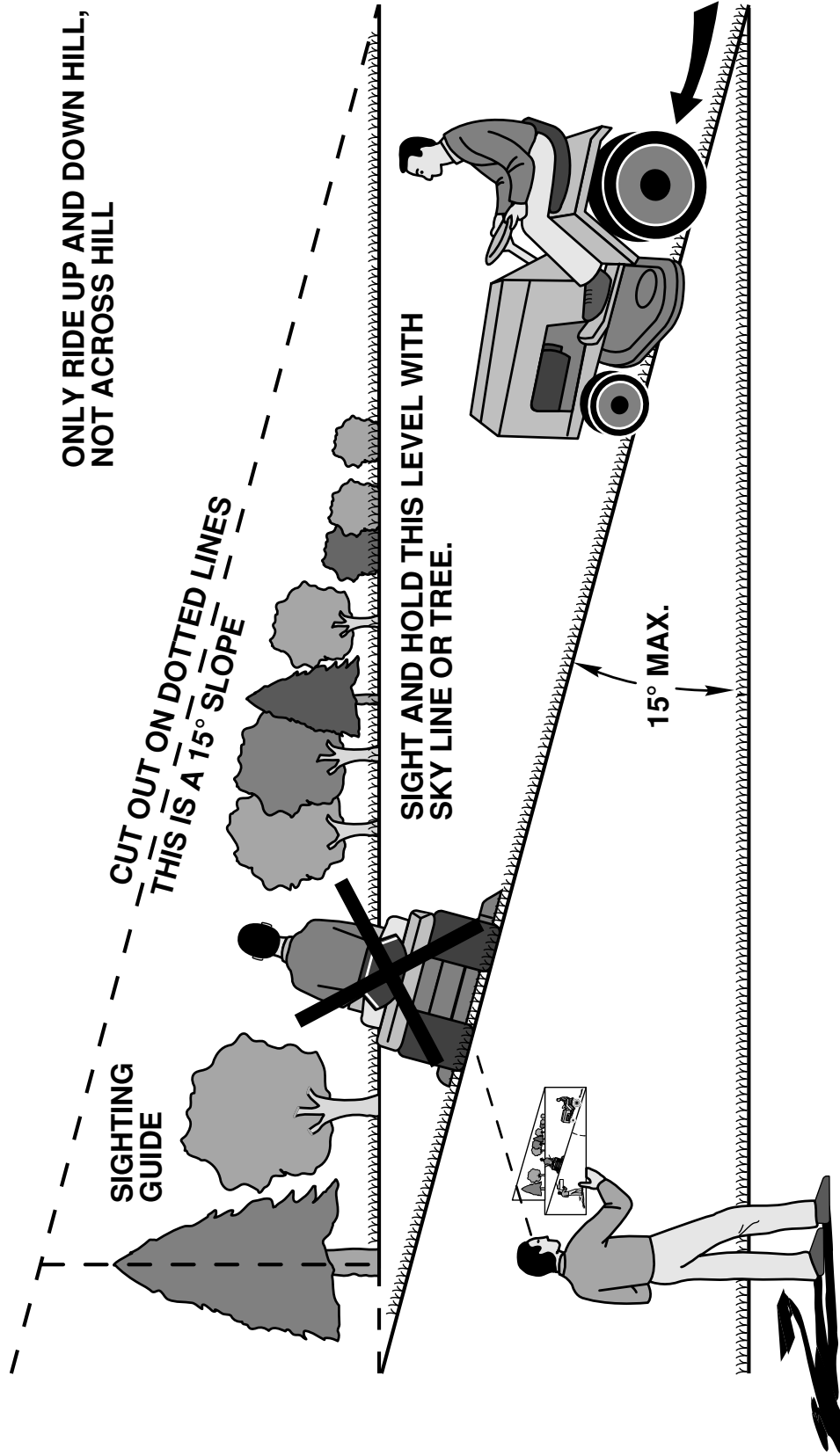
In Canada contact:
American Yard Products
1580 Trinity Drive, Units 5-8
Mississauga, Ontario
L5T 1L6

giving the model number, serial number and date of purchase of your product and the name and address of the authorized dealer from whom it was purchased.

THIS WARRANTY DOES NOT APPLY TO INCIDENTAL OR CONSEQUENTIAL DAMAGES AND ANY IMPLIED WARRANTIES ARE LIMITED TO THE SAME TIME PERIODS STATED HEREIN FOR OUR EXPRESSED WARRANTIES. Some areas do not allow the limitation of consequential damages or limitations of how long an implied Warranty may last, so the above limitations or exclusions may not apply to you. This Warranty gives you specific legal rights, and you may have other rights which vary from locale to locale.

This is a limited Warranty within the meaning of that term as defined in the Magnuson-Moss Act of 1975.

SUGGESTED GUIDE FOR SIGHTING SLOPES FOR SAFE OPERATION



 Operate your Tractor up and down the face of slopes (not greater than 15°), never across the face. Make turns gradually to prevent tipping or loss of control. Exercise extreme caution when changing direction on slopes.

Poulan