

CONGRATULATIONS on your purchase of a new lawn mower. Your lawn mower has been designed, engineered and manufactured to give you the best possible dependability and performance.

LIMITED WARRANTY

The Manufacturer warrants to the original consumer purchaser that this product as manufactured is free from defects in materials and workmanship. For a period of two (2) years from date of purchase by the original consumer purchaser, we will repair or replace, at our option, without charge for parts or labor incurred in replacing parts, any part which we find to be defective due to materials or workmanship. This Warranty is subject to the following limitations and exclusions.

1. This warranty does not apply to the engine, other than EHP manufactured transaxle/ transmission components, battery (except as noted below) or components parts thereof. Please refer to the applicable manufacturer's warranty on these items.
2. Transportation charges for the movement of any power equipment unit or attachment are the responsibility of the purchaser. Transportation charges for any parts submitted for replacement under this warranty must be paid by the purchaser unless such return is requested by Electrolux Home Products.
3. Battery Warranty: On products equipped with a Battery, we will replace, without charge to you, any battery which we find to be defective in manufacture, during the first ninety (90) days of ownership. After ninety (90) days, we will exchange the Battery, charging you 1/12 of the price of a new Battery for each full month from the date of the original sale. Battery must be maintained in accordance with the instructions furnished.
4. The Warranty period for any products used for rental or commercial purposes is limited to 45 days from the date of original purchase.
5. This Warranty applies only to products which have been properly assembled, adjusted, operated, and maintained in accordance with the instructions furnished. This Warranty does not apply to any product which has been subjected to alteration, misuse, abuse, improper assembly or installation, delivery damage, or to normal wear of the product.
6. Exclusions: Excluded from this Warranty are belts, blades, blade adapters, normal wear, normal adjustments, standard hardware and normal maintenance.
7. In the event you have a claim under this Warranty, you must return the product to an authorized service dealer.

Should you have any unanswered questions concerning this Warranty, please contact:

Electrolux Home Products
a division of WCI Outdoor Products, Inc.
Outdoor Products Customer Service Dept.
250 Bobby Jones Expressway
Augusta, GA 30909 USA

In Canada contact:
Electrolux Home Products
a division of WCI Outdoor Products, Inc.
7075 Ordan Drive
Mississauga, Ontario
L5T 1K6

giving the model number, serial number and date of purchase of your product and the name and address of the authorized dealer from whom it was purchased.

THIS WARRANTY DOES NOT APPLY TO INCIDENTAL OR CONSEQUENTIAL DAMAGES AND ANY IMPLIED WARRANTIES ARE LIMITED TO THE SAME TIME PERIODS STATED HEREIN FOR OUR EXPRESSED WARRANTIES.

Some areas do not allow the limitation of consequential damages or limitations of how long an implied Warranty may last, so the above limitations or exclusions may not apply to you. This Warranty gives you specific legal rights, and you may have other rights which vary from locale to locale.

This is a limited Warranty within the meaning of that term as defined in the Magnuson-Moss Act of 1975.



REPAIR PARTS MANUAL

MODEL NO. WE5N22SH4E

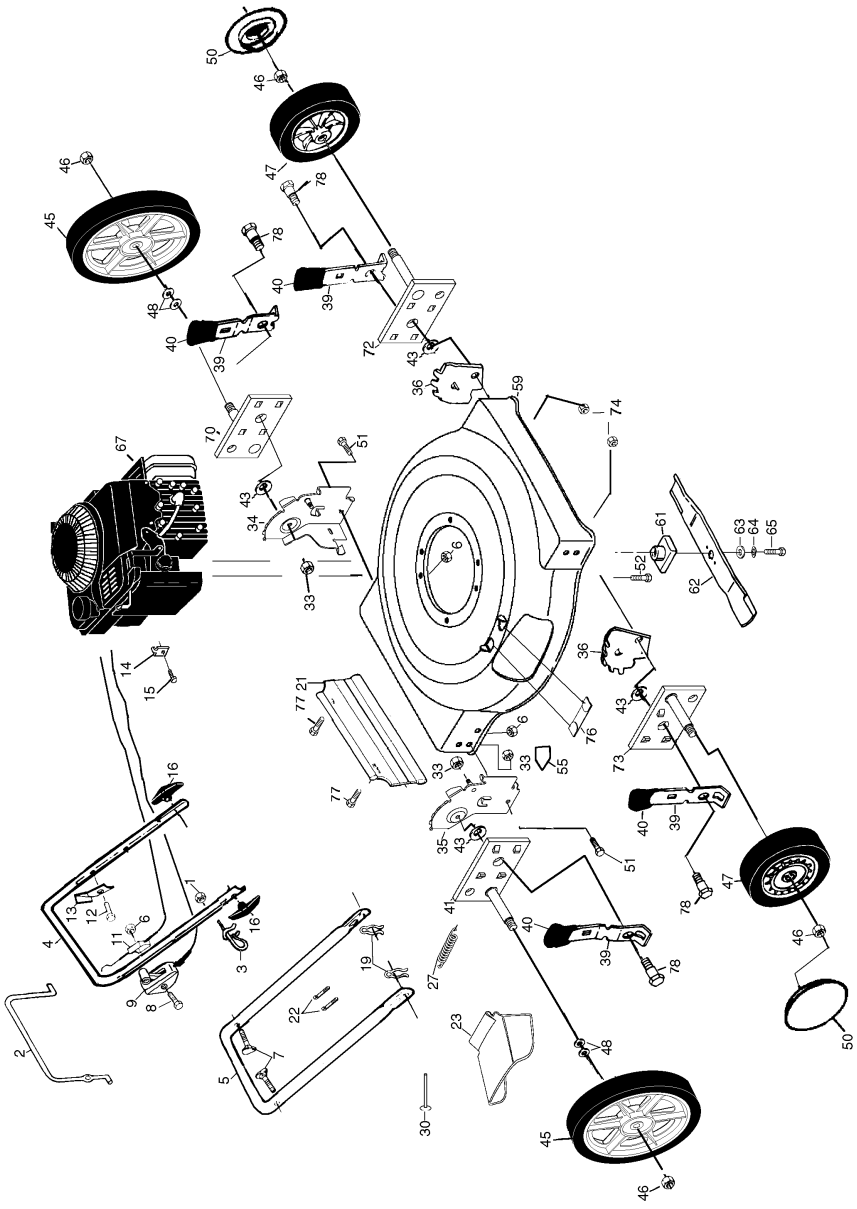
LAWN MOWER

For Parts and Service, contact our authorized distributor: call 1-800-849-1297
For Technical Assistance: call 1-800-829-5886

WEED EATER®

REPAIR PARTS

ROTARY LAWN MOWER -- MODEL NO. WE5N22SH4E



REPAIR PARTS

ROTARY LAWN MOWER -- MODEL NO. WE5N22SH4E

KEY PART NO. NO.	DESCRIPTION	KEY PART NO. NO.	DESCRIPTION
1 63601	Locknut 1/4-20	43 19112222	Washer
2 86902	Control Bar	45 701401	Wheel Assembly (Rear)
3 132001	Rope Guide	46 83923	Locknut 1/16-18
4 169709X479	Upper Handle	47 146247	Wheel Assembly (Front)
5 169708X479	Lower Handle	48 57143	Washer
6 63601	Locknut 1/4-20	50 77400	Hubcap
7 131959	Handle Bolt 5/16-18	51 74760514	Hex Head Bolt 5/16-18
8 144929	Hex Washer Head Screw 1/4-20 x 2-1/8	52 150406	Hex Head Thread Rolling Screw 3/8-16 x 1
9 700644	Throttle Control	55 107339X	Danger/Decal
11 851671	Engine Zone Control Cable	59 163326	Lawn Mower Housing (Incl. Key Nos. 55)
12 750097	Hex Washer Head Screw #10-24 x 1/2	61 851514	Blade Adapter
13 850733X004	Up-Stop Bracket	62 141114	22" Blade
14 213146	Screw #10 x 5/8	63 851074	Hardened Washer
15 83816	Handle Knob	64 850263	Helical Lockwasher 3/8
16 136376	Hairpin Cotter	65 851084	Screw Hex Head 3/8-24 x 1-3/8 (Grd. 8)
19 51793	Rear Deflector	67 - - - - -	Engine - Briggs & Stratton Model No. 12H802
21 165858	Wire Tie	70 167130X004	Order parts from engine manufacturer
22 66426	Discharge Guard	72 167132X004	Axle Arm Assem. (LR)
23 160831	Torsion Spring	73 167133X004	Axle Arm Assem. (LF)
27 160832	Hinge Rod	74 751153	Axle Arm Assem. (RF)
30 160833	Locknut 5/16-18	76 161622	Nut
33 63124	Wheel Bracket Support (Left)	77 74760412	Clip. Closeout
34 170373X479	Wheel Bracket Support (Right)	78 160828	Shoulder Bolt
35 170374X479	Wheel Bracket Support (Right)	-- 172782	Operator's Manual (English)
36 160835X007	Wheel Bracket Adjuster	-- 162300	Warning Decal (Not Shown)
39 168360X004	Selector Spring	-- 176884	Replacement Parts Manual
40 87877	Selector Knob		
41 167131X004	Axle Arm Assembly (RR)		

Available accessories not included with mower:
 -- GCK3300 Grass Catcher
 -- MK3300 Mulcher Kit