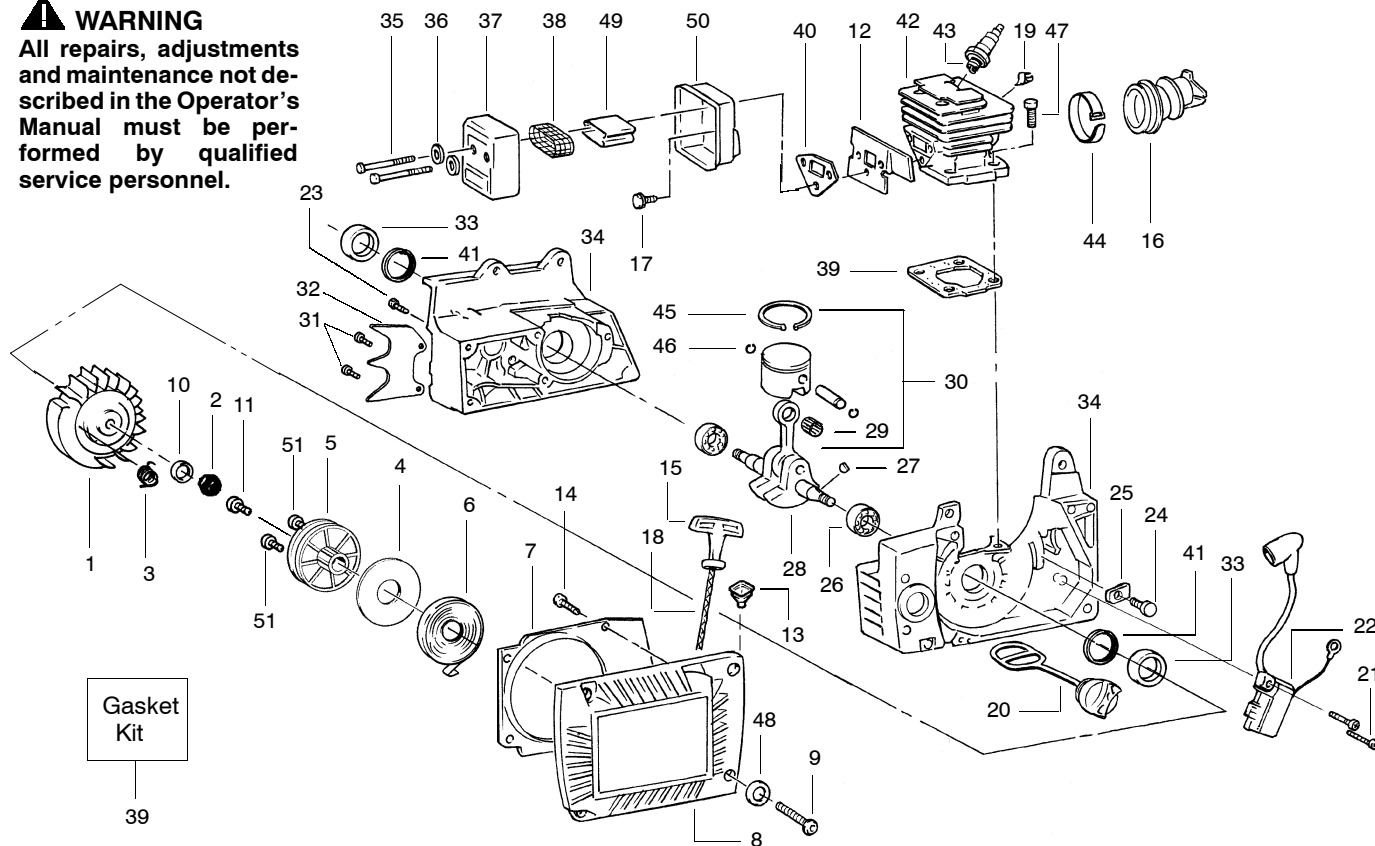


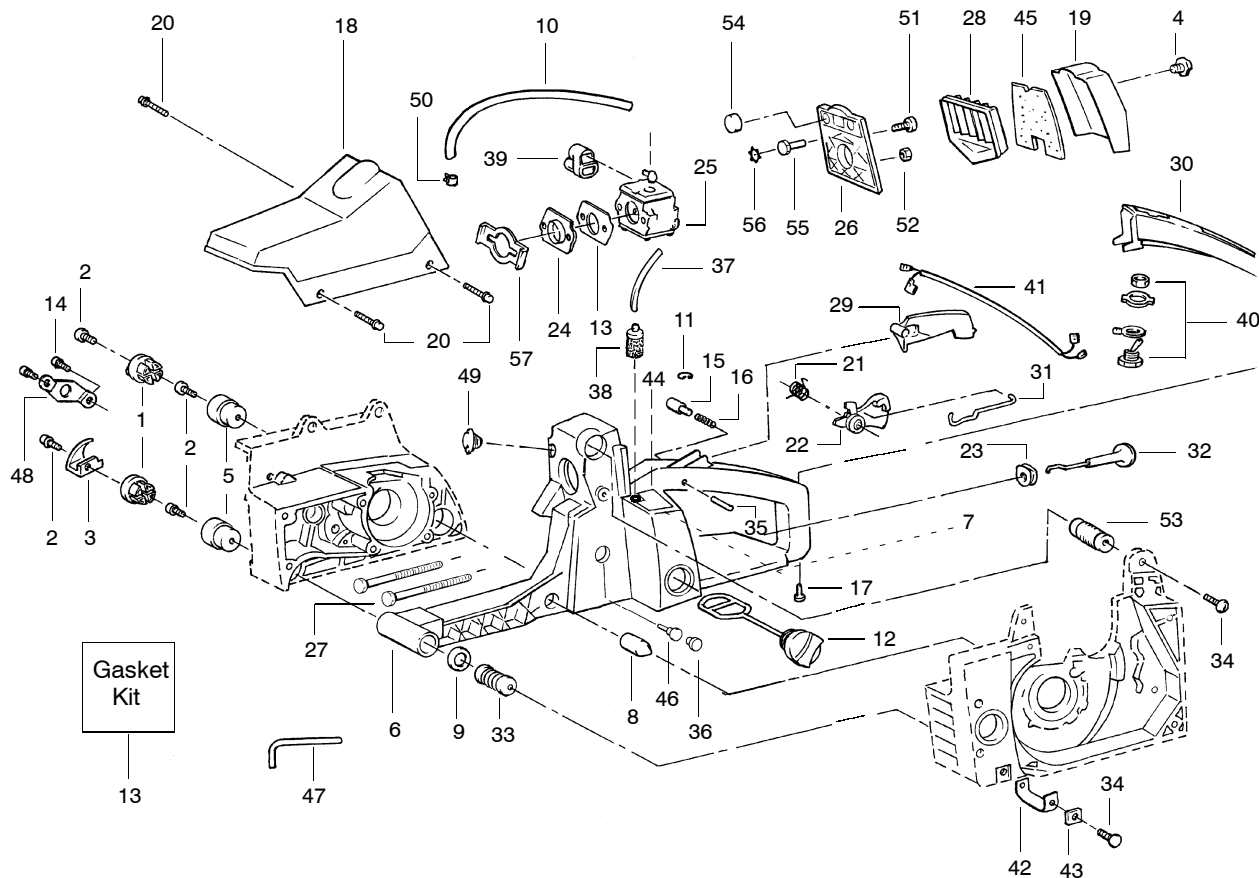
| | | | | |
|-----------------------------|--------------------------------|---------------------------|---|---|
| PARTS LIST NO. 530087168 | | POULAN® PARTS LIST | Chain Saw Model(s): 3450 & 3750 | |
| DATE 9/6/00 | REPLACES 530087168 - 6/9/99 | | Note: Illustration may differ from actual model due to design changes | |
| | | | PAGE NO. | 1 |

⚠ WARNING
All repairs, adjustments and maintenance not described in the Operator's Manual must be performed by qualified service personnel.

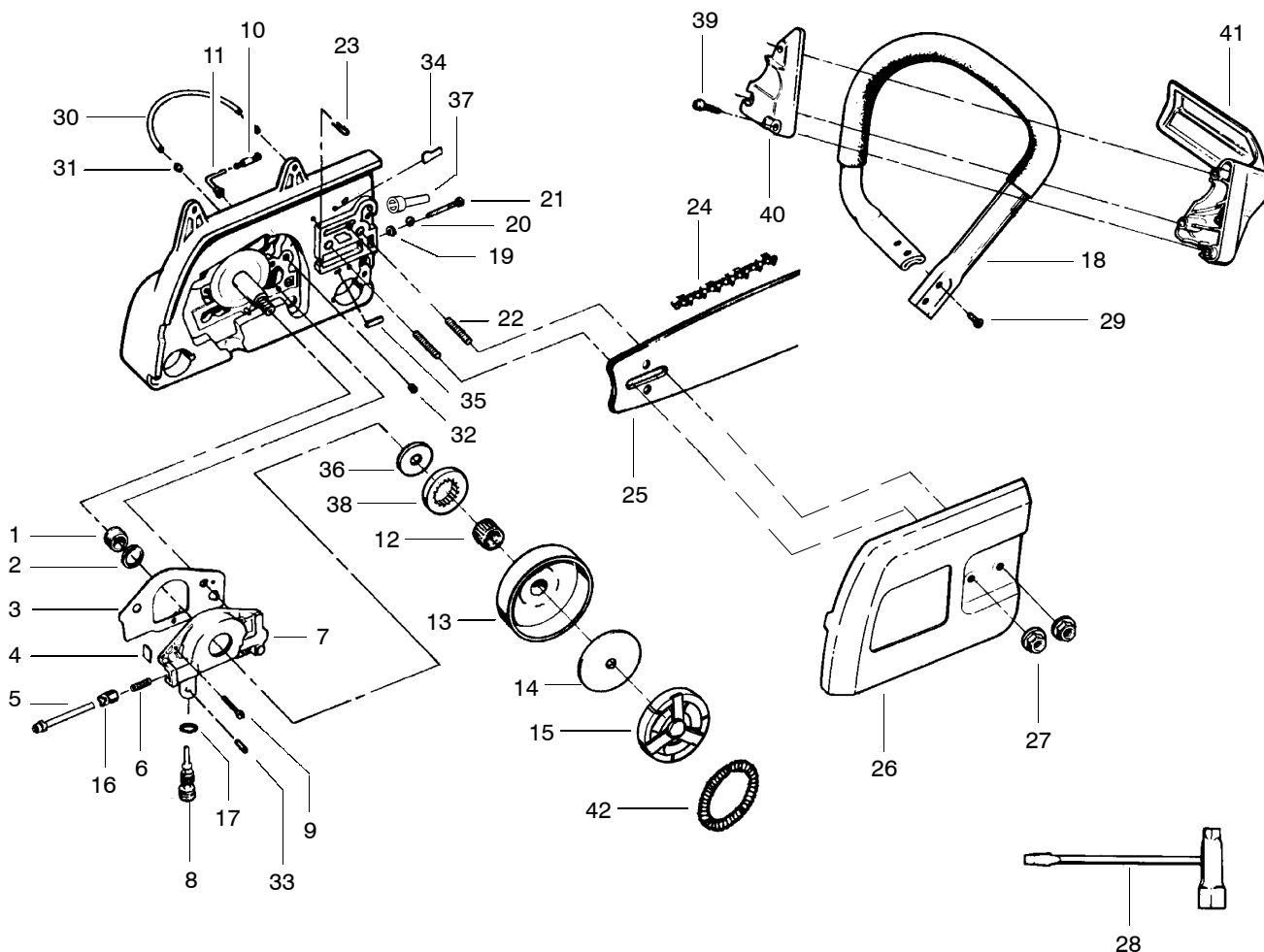


| Ref. | Part No. | Description | Ref. | Part No. | Description | Ref. | Part No. | Description |
|------|-----------|----------------------------|------|-----------|--------------------------------------|------|-----------|-------------------------------|
| 1. | 530069890 | Flywheel Ass'y. | 30. | — | Piston Kit (Includes 29, 46 & 50) | 41. | 530001516 | Snap Ring |
| 2. | 530049819 | Nut—Flywheel | | | | 42. | — | Cylinder Ass'y. |
| 3. | 530023817 | Spring—Starter Dog | | | | | 530012367 | Model 3450 T1 |
| 4. | 530016242 | Washer | | 530069547 | Model 3450 T1 & T2 | | 530403750 | Model 3450 T2 |
| 5. | 530053728 | Starter Pulley | | 530069549 | Model 3750 T1 & T2, 3450 T3 | | 530069892 | Model 3750 T1 & T2 3450 T3 |
| 6. | 530042087 | Starter Spring | 31. | 530015650 | Screw | 43. | — | Spark Plug |
| 7. | 530052435 | Baffle Plate | 32. | 952027846 | Spur | | 530030123 | RCJ—4 |
| 8. | 530049937 | Fan Housing | 33. | 530019146 | Crankshaft Seal | | 952030164 | RCJ—6Y |
| 9. | 530015812 | Screw | 34. | — | Crankcase Ass'y. | 44. | 530027285 | Clamp Ass'y. |
| 10. | 530015441 | Washer—Conical | | 530014748 | Model 3450 T1 | 45. | — | Piston Ring |
| 11. | 530015920 | Screw | | 530069973 | Model 3450 T2 & T3, 3750 T1 & T2 | | 530030176 | Model 3450 T1 & T2 |
| 12. | — | Muffler Back Plate | 35. | — | Screw | | 530036176 | Model 3750 T1 & T2 3450 T3 |
| | 530053333 | Model 3450 T1 & T2 | | 530015718 | Model 3450 T1 & T2 | 46. | 530015697 | Retainer |
| | 530049392 | Model 3750 T1 | | 530016259 | Model 3750 T1 & T2, 3450 T3 | 47. | 530001624 | Screw |
| | 530053595 | Model 3750 T2 & 3450 T3 | 36. | 530015722 | Washer | 48. | 530015629 | Washer |
| 13. | 530069235 | Eyelet Replacement Kit | 37. | — | Muffler Cover Ass'y. | 49. | — | Muffler Diffuser |
| 14. | 530015241 | Screw | | 530049481 | Model 3450 T1 & T2 | | 530053358 | Model 3450 T1 & T2 |
| 15. | 530049797 | Starter Handle | | 530069796 | Model 3750 T1 | | 530049362 | Model 3750 T1 & T2 3450 T3 |
| 16. | 530030202 | Boot | | 530053465 | Model 3750 T2 & 3450 T3 | 50. | — | Muffler Body |
| 17. | 530016291 | Screw | 38. | 530030205 | Spark Arrestor Screen | | 530049480 | Model 3450 T1 & T2 |
| 18. | 530053730 | Rope Kit | 39. | — | Cylinder Gasket | | 530049361 | Model 3750 T1 |
| 19. | 530015696 | Clip | | 530019201 | Model 3450 T1 | | 530053596 | Model 3750 T2 & 3450 T3 |
| 20. | 530010846 | Oil Cap Ass'y. | | 530019256 | Model 3450 T2 | 51. | 530016080 | Screw—Starter Pulley |
| 21. | 530015708 | Screw | | 530019202 | Model 3750 T1 & T2 3450 T3 | | | |
| 22. | 530039128 | Ignition Module | 40. | — | Muffler Gasket | | Not Shown | |
| 23. | 530015707 | Screw | | 530021119 | Model 3450 T1 | | 530085732 | Operator Manual |
| 24. | 530015306 | Screw | | 530019254 | Model 3450 T2 | | 530047839 | Warning Decal |
| 25. | 530027264 | Clamp | | 530021118 | Model 3750 T1 & T2 3450 T3 | | 530047941 | Kickback Warning Decal |
| 26. | 530032093 | Crankshaft Bearing | | | | | | |
| 27. | 530002595 | Flywheel Key | | | | | | |
| 28. | 530027143 | Connecting Rod Ass'y. | | | | | | |
| 29. | 530032111 | Piston Pin Bearing | | | | | | |

| | | | |
|------------------------------------|--|---------------------------|--|
| PARTS LIST NO. 530087168 | | POULAN® PARTS LIST | Chain Saw Model(s): 3450 & 3750 |
| DATE 6/9/99 | REPLACES 530087168 - 9/11/98 | | Note: Illustration may differ from actual model due to design changes |



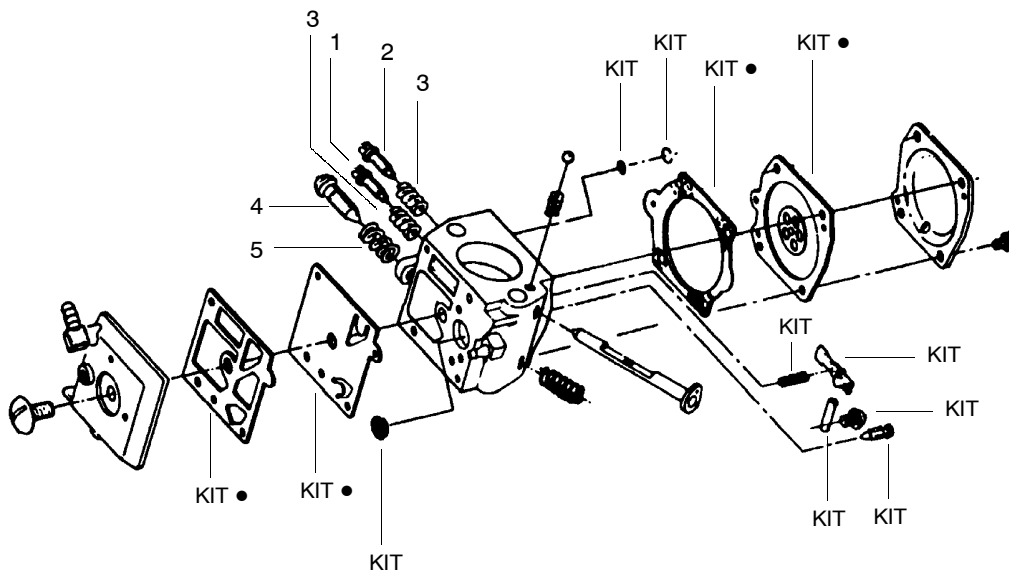
| KEY NO. | PART NO. | DESCRIPTION | KEY NO. | PART NO. | DESCRIPTION |
|---------|-----------|-------------------------------------|---------|-----------|-----------------------|
| 1 | 530027732 | Retainer-Chain Catcher | 29 | 530027135 | Throttle Lockout |
| 2 | 530016057 | Screw | 30 | - | Rear Handle Cover |
| 3 | 530027733 | Chain Catcher | | 530053351 | (Purple) |
| 4 | 530049248 | Knob-Carb. Cover | | 530049257 | (Black) |
| 5 | 530042080 | Lower Isolator | 31 | 530027073 | Throttle Wire |
| 6 | 530069974 | Tank & Handle Kit | 32 | 530027075 | Choke Knob |
| 7 | 530019192 | Seal Carb. Cover-Left | 33 | 530069384 | Isolator Kit |
| 8 | 530027187 | Isolator-Bumper | 34 | 530015871 | Screw |
| 9 | 530015123 | Washer | 35 | 530015701 | Dowel Pin |
| 10 | 530069897 | Impulse Line Kit | 36 | 530038264 | Plug-Bronze Vent |
| 11 | 530015702 | "C" Clip | 37 | 530069910 | Fuel Line Kit |
| 12 | 530010845 | Fuel Cap Ass'y. (Incl. "O" Ring) | 38 | 530091878 | Fuel Filter Ass'y. |
| 13 | 530069891 | Gasket Kit | 39 | 530049265 | Carb. Grommet |
| 14 | 530015875 | Screw | 40 | 530069225 | Switch Kit |
| 15 | 530029666 | Button-Throttle Lock | 41 | 530027138 | Lead Wire Ass'y. |
| 16 | 530024772 | Spring-Throttle | 42 | 530037009 | AV Strap |
| 17 | 530015716 | Screw | 43 | 530037012 | Strap Retainer Plate |
| 18 | - | Cylinder Shield | 44 | 530019191 | Seal Carb Cover-Right |
| | 530053329 | (Purple) | 45 | 530049684 | Sound Foam |
| | 530049271 | (Black) | 46 | 530026119 | Check Valve |
| 19 | - | Carb. Cover Ass'y. | 47 | 530031159 | Hex Wrench 5/32 |
| | 530053362 | (Purple) | 48 | 530029347 | Bracket |
| | 530053440 | (Black) | 49 | 530025922 | Plug-Air Box |
| 20 | 530015650 | Screw | 50 | 530053893 | Clamp |
| 21 | 530027134 | Trigger Latch Spring | 51 | 530015598 | Screw-Air Filter Base |
| 22 | 530027133 | Throttle Trigger | 52 | 530049561 | Nut-Air Filter |
| 23 | 530036053 | Grommet-Choke Rod | 53 | 530047334 | Cylinder Mount Ass'y. |
| 24 | 530049465 | Bracket-Intake | 54 | 530027399 | Bumper |
| 25 | 530069895 | Carburetor Kit (HDA-164) | 55 | 530015839 | Screw-Carb Knob |
| 26 | 530049260 | Air Filter Base | 56 | 530016199 | Retaining Ring |
| 27 | 530049562 | Carb. Mounting Stud | 57 | 530049273 | Bracket-Carb Stud |
| 28 | 503553901 | Air Filter | | | |



| KEY NO. | PART NO. | DESCRIPTION | KEY NO. | PART NO. | DESCRIPTION |
|---------|-----------|-----------------------------|---------|-----------|-----------------------------|
| 1 | 530027140 | Worm Gear | 24 | - | Chain |
| 2 | 530019147 | Seal | | 952051266 | Model 3450-20" (72LXP) |
| 3 | 530069487 | Gasket Kit | | 952051459 | Model 3750-22" (72LXP) |
| 4 | 530027128 | Dust Plug | 25 | - | Bar |
| 5 | 530014204 | Plunger | | 952044544 | Model 3450-20" (SN) |
| 6 | 530027126 | Spring | | 952044723 | Model 3750-22" (SN) |
| 7 | 530069218 | Oil Pump Ass'y. | 26 | 530027156 | Bar Clamp |
| 8 | 530015873 | Oiler Adjustment Screw | 27 | 530015251 | Nut |
| 9 | 530015871 | Screw | 28 | - | Scrench |
| 10 | 530027272 | Oil Pickup & Filter | | 530031135 | Silver finish (1/2" x 3/4") |
| 11 | 530027192 | Oiler Intake Line | | 530031146 | Gold finish (9/16" x 3/4") |
| 12 | 530032049 | Clutch Bearing | 29 | 530016058 | Screw |
| 13 | 530048083 | Drum Sprocket | 30 | 530021061 | Oiler Discharge Line |
| 14 | 530027161 | Clutch Plate | 31 | 530002464 | Oiler Discharge Sleeve |
| 15 | - | Clutch Ass'y. | 32 | 530015422 | Tubing Nut |
| | 530014161 | Model 3450 T1 & T2 | 33 | 530015752 | Oiler Adjustment Pin |
| | 530049418 | Model 3750 T1 & T2, 3450 T3 | 34 | 530027222 | Chain Pad - Top |
| 16 | 530027129 | Oiler Gear Spur | 35 | 530027223 | Chain Pad |
| 17 | 530019079 | "O" Ring | 36 | 530015733 | Thrust Washer |
| 18 | 530053350 | Handlebar Ass'y. | 37 | 530029236 | Crankcase Plug |
| 19 | 530023064 | Bar Adjusting Pin | 38 | 530048098 | Rim Floating (3/8) |
| 20 | 530038593 | Retainer | 39 | 530015509 | Screw-Handguard |
| 21 | 530016110 | Screw | 40 | 530024467 | Cap-Handguard |
| 22 | 530016238 | Bar Stud | 41 | 530024466 | Handguard |
| 23 | 530015108 | Vent Pin | 42 | 530027160 | Spring - Clutch |

| | | | |
|-----------------------------|---------------------------------|----------------------------|--|
| PARTS LIST NO. 530087168 | | POULAN ® PARTS LIST | Chain Saw Model(s): 3450 & 3750 |
| DATE 6/9/99 | REPLACES 530087168 - 9/11/98 | | Note: Illustration may differ from actual model due to design changes |

Carburetor Assembly #530069895 (HDA-164)



Carb.
Repair Kit

6

Gasket/
Diaphragm
Kit

7

| KEY NO. | PART NO. | DESCRIPTION |
|-----------|-----------|---|
| 1. | 530035449 | Needle (Low) |
| 2. | 530035448 | Needle (High) |
| 3. | 530035243 | Needle Adjust Spring |
| 4. | 530035238 | Idle Adjust Screw |
| 5. | 530035242 | Idle Adjust Spring |
| 6. | 530069849 | Carburetor Repair Kit (KIT=Contents) |
| 7. | 530069844 | Gasket/Diaphragm Kit (●=Contents) |
| Not Shown | | |
| | 530038317 | Limiters Cap (Low) |
| | 530038318 | Limiters Cap (High) |