

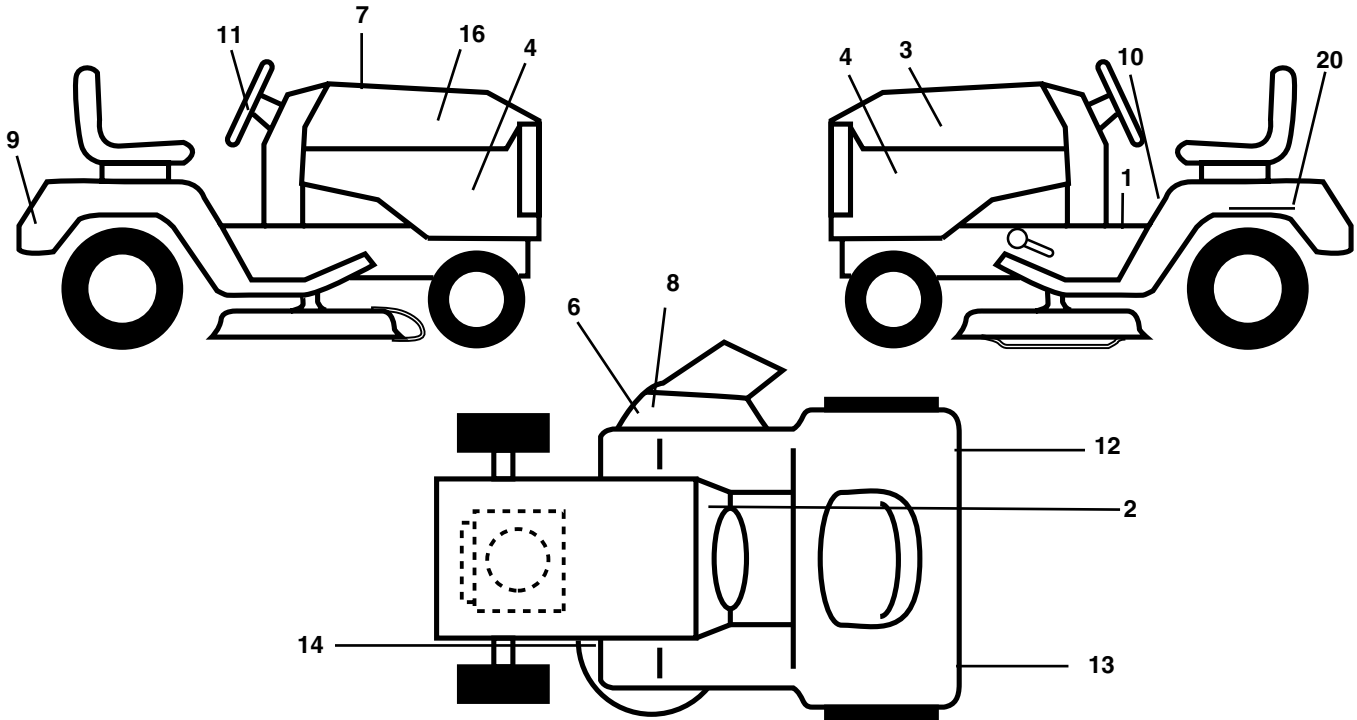
ILLUSTRATED PARTS LIST

MFG ID NO. 96012001700

CUSTOMER CATALOG NO. PK1942YT

TRACTOR - - MODEL NUMBER PK1942YT (96012001700)

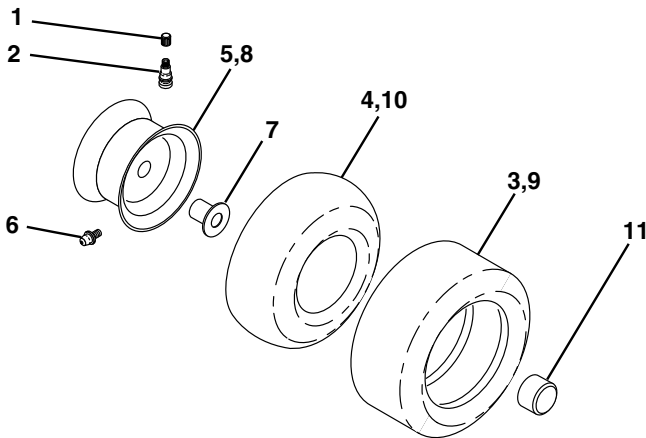
DECALS



KEY NO.	PART NO.	DESCRIPTION
1	193863	Decal Oper
2	194606	Decal SDPNL
3	176273	Decal Hood LH
4	194508	Decal Side Panel Logo
6	170563	Decal Warning, Keep Hand Away
7	194551	Decal Replacement Parts
8	179128	Decal Deck "B" 42"
9	172740	Decal Fender Logo
10	157140	Decal Fender Danger E/F
11	172743	Decal Ins Strg Whl
12	173587	Fend Reflector RH
13	173589	Fend Reflector LH

KEY NO.	PART NO.	DESCRIPTION
14	160396	Decal V-Belt Schematic
16	176272	Decal Hood Rh
20	145005	Decal Bat Dan/Psn
--	138311	Decal Lift Handle
--	184310X428	Pad Footrest LH
--	184311X428	Pad Footrest RH
--	194698	Manual Operator's (English & French)
--	194699	Manual Parts

WHEELS AND TIRES



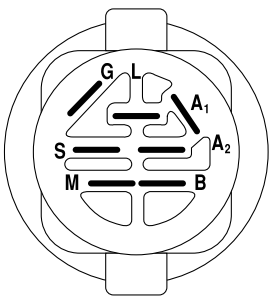
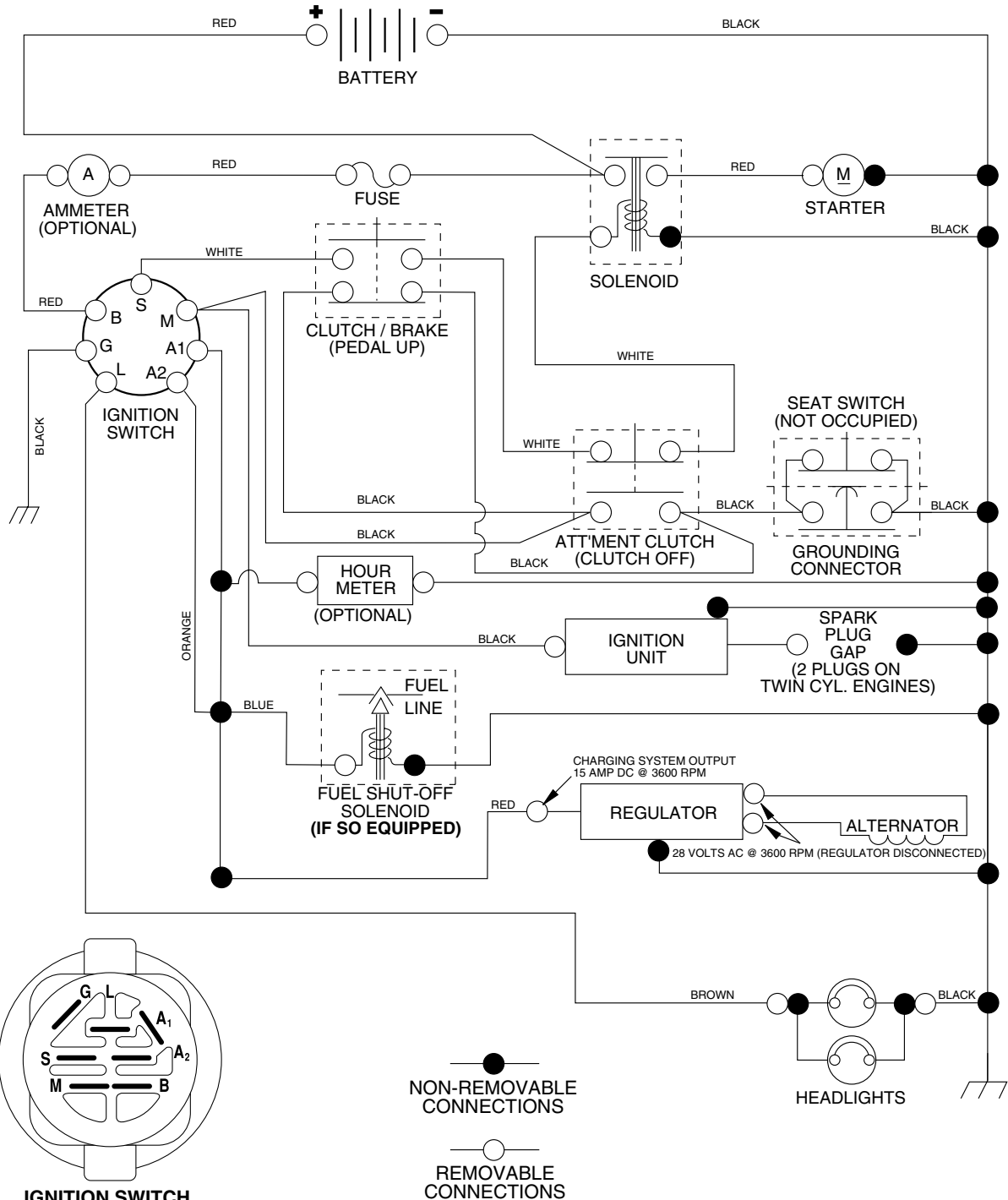
KEY NO.	PART NO.	DESCRIPTION
1	59192	Cap Valve Tire
2	65139	Stem Valve
3	106222X	Tire F T 15 x 6 0 - 6 Service
4	59904	Tube Front (Service Item Only)
5	106732X421	Rim Asm 6" front Service
6	278H	Fitting Grease (Front Wheel Only)
7	9040H	Bearing Flange (Front Wheel nly)
8	106108X421	Rim Asm 8" rear Service
9	138468	Tire R T
10	7152J	Tube Rear (Service Item Only)
11	104757X421	Cap Axle Blk 1 50 x 1 00
--	144334	Sealant, Tire (10 oz. Tube)

NOTE: All component dimensions given in U.S. inches
1 inch = 25.4 mm

TRACTOR - - MODEL NUMBER PK1942YT (96012001700)

SCHEMATIC

02731 (WH #170217 / 186829 REGULATED)



IGNITION SWITCH

POSITION	CIRCUIT	"MAKE"
OFF	M+G+A1	NONE
RUN/LIGHT	B+A1	A2+L
RUN	B+A1	NONE
START	B + S + A1	NONE

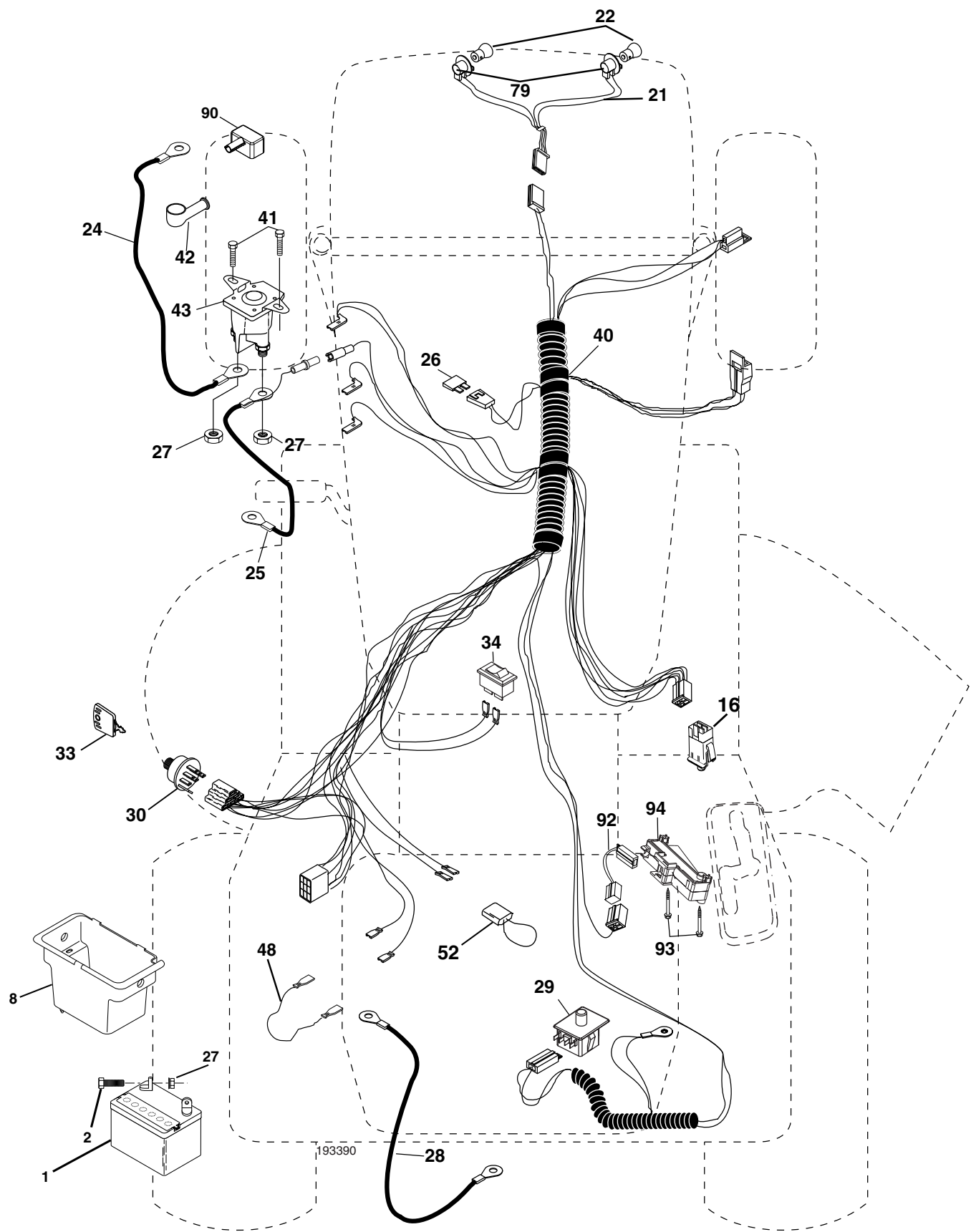
02731

WIRING INSULATED CLIPS

NOTE: IF WIRING INSULATED CLIPS WERE REMOVED FOR SERVICING OF UNIT, THEY SHOULD BE REPLACED TO PROPERLY SECURE YOUR WIRING.

TRACTOR - - MODEL NUMBER PK1942YT (96012001700)

ELECTRICAL



TRACTOR - - MODEL NUMBER PK1942YT (96012001700)

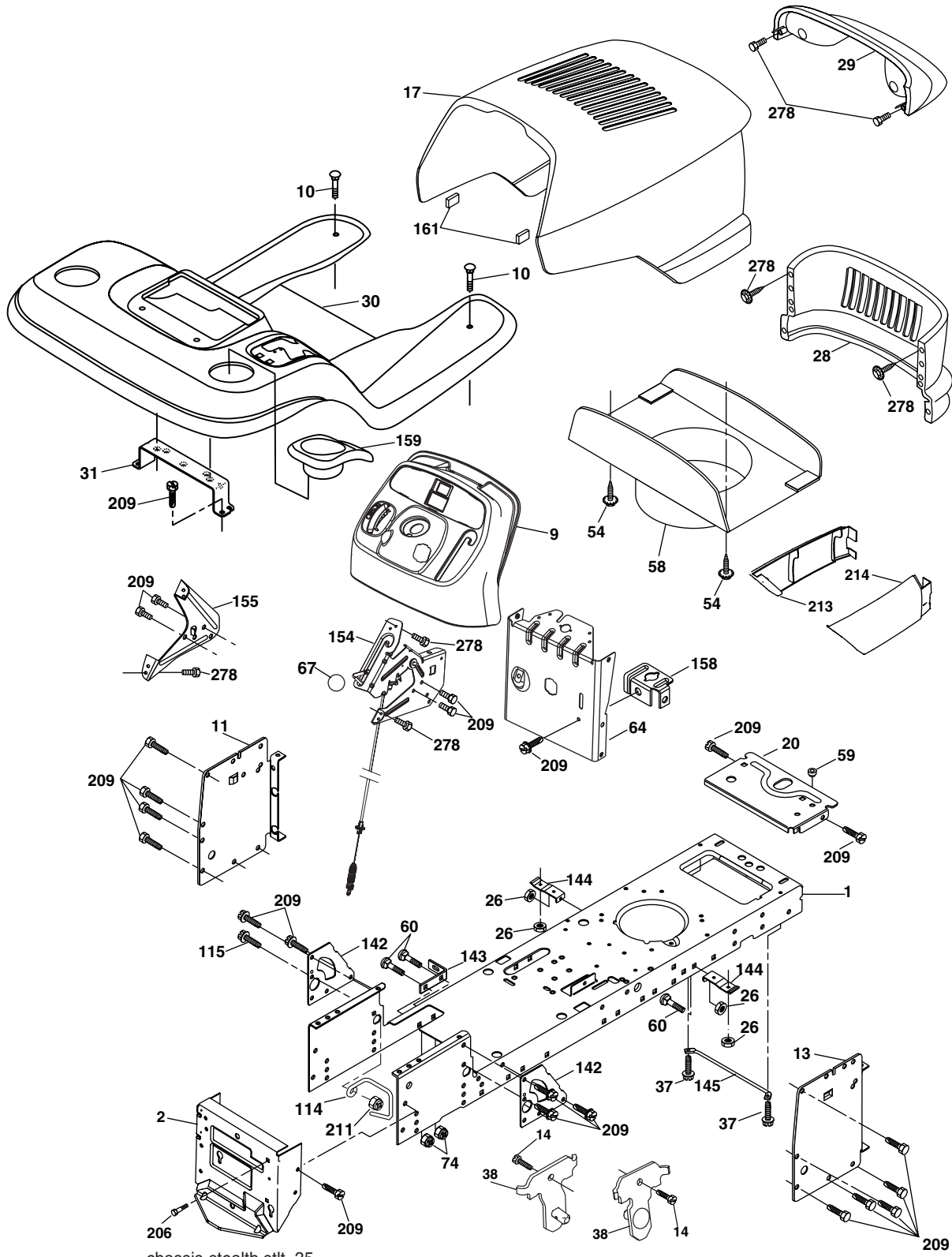
ELECTRICAL

KEY NO.	PART NO.	DESCRIPTION
1	144927	Battery
2	74760412	Bolt Hex Hd 1/4-20 unc x 3/4
8	176689	Box Battery
16	176138	Switch Interlock
21	175688	Harness Socket Light
22	4152J	Bulb, Light # 1156
24	8860R	Cable Battery
25	146147	Cable Battery 6 Ga. Red w/16 wire 44"
26	175158	Fuse
27	73510400	Nut Keps Hex 1/4-20 unc
28	4207J	Cable Ground 12" Blk 6 Ga.
29	192749	Switch Seat
30	193350	Switch Ign
33	140401	Key Ign Molded Generic
34	110712X	Switch Light/Reset B/B/Red
40	193390	Harness Ign
41	71110408	Bolt Fin Hex 1/4-20 unc x 1/2
42	131563	Cover Terminal Red
43	178861	Solenoid
48	140844	Adaptor Ameter
52	141940	Protection Loop
79	175242	Socket Arm Bulb
90	180449	Cover Terminal
92	193465	Harness Pigtail Reverse Switch
93	192540	Screw Plastic 10-14 x 2.0
94	191834	Module Reverse ROS

NOTE: All component dimensions given in U.S. inches
1 inch = 25.4 mm

TRACTOR - - MODEL NUMBER PK1942YT (96012001700)

CHASSIS



chassis-stealth.stit_35

TRACTOR - - MODEL NUMBER PK1942YT (96012001700)

CHASSIS

KEY NO.	PART NO.	DESCRIPTION
1	174619	Chassis
2	176554	Drawbar
9	193610X428	Dash P/L
10	72140608	Bolt Carriage 3/8-16 x 1
11	167203	Panel Dash Lh
13	188702X010	Panel Dash Rh
14	17490608	Screw Thdrol 3/8-16 x 1/2
17	175260X428	Hood
20	162026X428	Plate Battery
26	73800600	Nut Lock Hex W/Ins 3/8-16 unc
28	175289X428	Grille
29	161840	Lens Bar
30	192393X428	Fender
31	139976	Bracket Fender
37	17490508	Screw Thdrol 6/16-18 x 1/2 TYT
38	175710	Bracket Asm Pivot Mower Rear
54	192512	Screw WSHD Hex 10-32 x 5/8
58	175351	Duct Air
59	187495	Bushing 1.375 OD
60	72140606	Bolt RDHD SQNK 3/8-16 UNC x 3/4
64	174997	Dash Lower STLT
67	106932X	Knob
74	73680600	Nut Crownlock 3/8-16 UNC
114	158112	Keeper Belt Rear LH
115	17490620	Screw THDROL 3/8-16 x 1-1/4
142	175702	Plate Reinforcement STLT
143	186689	Bracket Swaybar Chassis
144	175582	Bracket Footrest Step-Thru
145	156524	Rod Pivot Chassis/Hood
154	192413	Clutch Asm Manual Brkt.
155	183926	Bracket Dash LH
158	162037	Bracket Parking Brake
159	155123X428	Cupholder
161	164655	Bumper Hood
206	170165	Bolt Shoulder 5/16-18
209	17000612	Screw Hexwsh Thdr 3/8-16 x 3/4
211	145212	Nut Hex Flange Lock
213	169847X428	Skirt Grille RH
214	169848X428	Skirt Grille LH
258	183835X599	Lens Grille Pro RH
259	183834X599	Lens Grille Pro LH
261	183829Z428	Insert Grille
263	183833	Bezel Grille RH
264	183832	Bezel Grille LH
278	191611	Screw 10 x 3/4 Single Lead-Hex
--	5479J	Plug BTN BIK
--	187801	Plug Domed Plastic

NOTE: All component dimensions given in U.S. inches
1 inch = 25.4 mm

TRACTOR - - MODEL NUMBER PK1942YT (96012001700)

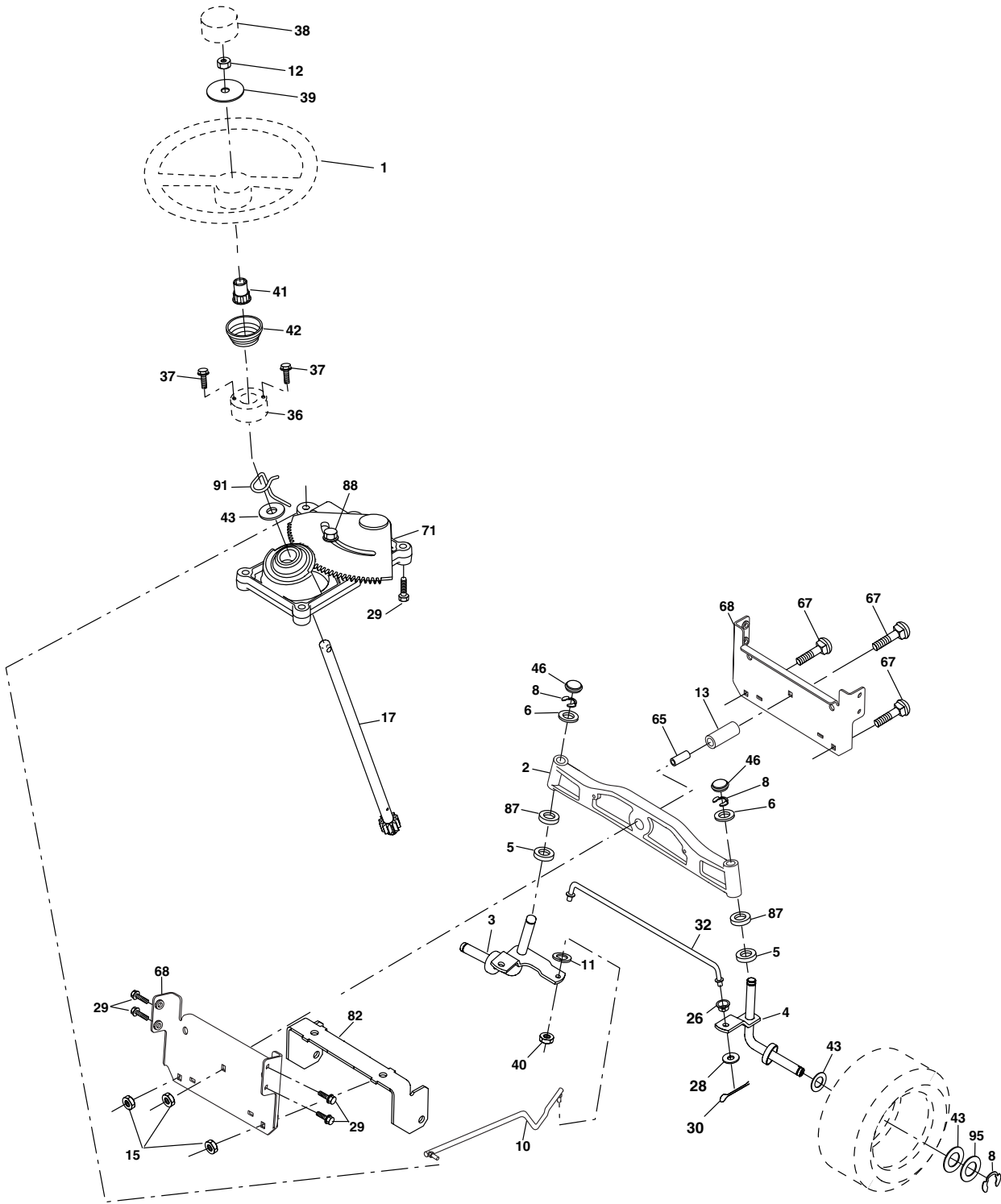
DRIVE

KEY NO.	PART NO.	DESCRIPTION	KEY NO.	PART NO.	DESCRIPTION
1	-----	Transaxle Peerless (206-545C) (Order parts from transaxle manufacturer)	62	8883R	Cover Pedal Blk Round
2	146682	Spring Return Brake T/a Zinc	63	175410	Engine Pulley
3	123666X	Pulley Transaxle 18" tires	64	173937	Bolt Hex
4	12000028	Ring Retainer # 5100-62	65	10040700	Washer Lock Hvy Hlcl Spr 7/16
5	121520X	Strap Torque 30 Degrees	66	154778	Keeper Belt Engine Foolproof
6	17060512	Screw 5/16-18 x 3/4	69	142432	Screw Hex wsh HiLo 1/4 x 1/2 unc
8	192502	Rod Shift Fender Adjust Lt	70	134683	Guide Belt Mower Drive RH
10	76020416	Pin Cotter 1/8 x 1 Cad	74	137057	Spacer Axle
11	105701X	Washer Plate Shf 388 Sq Hole	75	121749X	Washer 25/32 x 1-1/4 x 16 Ga
13	74550412	Bolt 1/4-28 Unf Gr 8 W/Patch	76	12000001	E-ring #5133-75
14	10040400	Washer Lock Hvy Helical	77	123583X	Key Square 2 0 x 1845/1865
15	74490544	Bolt Hex FLGHD 5/16-18 Gr. 5	78	121748X	Washer 25/32 x 1-5/8 x 16 Ga
16	73800500	Nut Lock Hex w/ins 5/16-18	79	2228M	Key Woodruff #9 3/16 x 3/4
18	74780616	Bolt, Fin Hex 3/8-16 unc x 1 Gr. 5	80	145090	Arm Shift
19	73800600	Nut Lock 3/8-16 unc	81	165592	Shaft Asm Cross Tapered PMST/20
21	106933X	Knob	82	165711	Spring Torsion T/a
22	130804	Rod Brake Blk Zinc 26 840	83	19171216	Washer 17/32 x 3/4 x 16 Ga
24	73350600	Nut Hex Jam 3/8-16 unc	84	166231	Link Transaxle PMST/20" Zinc
25	106888X	Spring Rod Brake 2 00 Zinc	85	150360	Nut Lock Center 1/4 - 28 FNTHD
26	19131316	Washer 13/32 x 13/16 x 16 Ga.	89	192388X428	Console Shift STLT
27	76020412	Pin Cotter 1/8 x 3/4 Cad	96	4497H	Retainer Spring 1"
28	175765	Rod Brake Parking LT/YT	112	19091210	Washer 9/32 x 3/4 x 10 Ga.
29	71673	Cap Brake Parking	113	127285X	Strap Torque LT
30	169592	Bracket Mtg Transaxle	116	72140608	Bolt Rdhd Sq Neck 3/8-16 x 1
32	74760512	Bolt Hex Hd 5/16-18unc X 3/4	120	73900600	Nut Lock Flg. 3/8-16 unc
34	175578	Shaft Asm Pedal Foot	150	175456	Spacer Retainer
35	120183X	Bearing Nylon Blk 629 Id	151	19133210	Washer 13/32 x 2 x 10
36	19211616	Washer 21/32 x 1 x 16 Ga.	156	166002	Washer Srrted 5/16ID x 1.125
37	1572H	Pin Roll 3/16 x 1"	158	165589	Bracket Shift Mount
38	179114	Pulley Composite Flat	159	183900	Hub Shift
39	72110622	Bolt RDH 3/8-16 unc x 2-3/4 Gr. 5	161	72140406	Bolt Rdhd Sqnk 1/4-20 x 3/4
41	175556	Keeper Belt Flat Idler	162	73680400	Nut Crownlock 1/4-20 unc
47	127783	Pulley Idler V Groove Plastic	163	74780416	Bolt Hex Fin 1/4-20 unc x 1 Gr. 5
48	154407	Bellcrank Asm	165	165623	Bracket Pivot Lever
49	123205X	Retainer Belt Style Spring	166	17490510	Screw 5/16-18 x 5/8
50	72110612	Bolt Hex Hd 3/8-16 unc X 1-1/2	168	165492	Bolt Shoulder 5/16-18 x .561
51	73680600	Nut Crownlock 3/8-16 unc	169	165580	Plate Fastening
52	73680500	Nut Crownlock 5/16-18 unc	170	187414	Keeper Belt Transaxle Gear
53	105710X	Link Clutch	197	169613	Nyliner Snap-In
55	105709X	Spring Return Clutch 6 75	198	169593	Washer Nyliner
56	17060620	Screw 3/8-16 x 1-1/4	202	72110614	Bolt Carr Sh 3/8-16 x 1-3/4 Gr. 5
57	130801	V-Belt Ground Drive 95 25	212	145212	Nut Hexflange Lock
59	169691	Keeper Belt Span Ctr			
61	17120614	Screw 3/8-16 x .875			

NOTE: All component dimensions given in U.S. inches
1 inch = 25.4 mm

TRACTOR - - MODEL NUMBER PK1942YT (96012001700)

STEERING ASSEMBLY



steering_stealth_prem_13

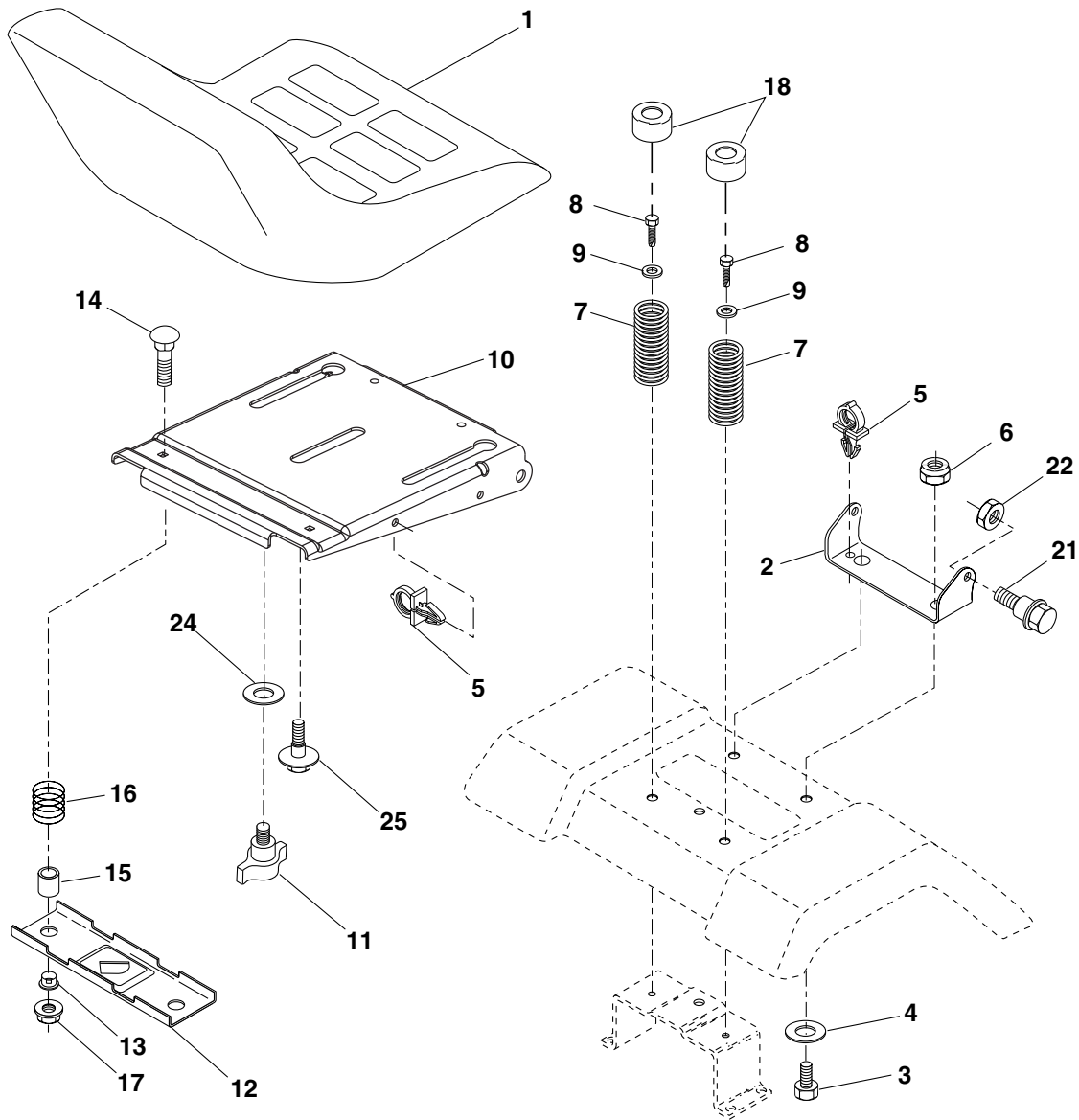
TRACTOR - - MODEL NUMBER PK1942YT (96012001700)
STEERING ASSEMBLY

KEY NO.	PART NO.	DESCRIPTION
1	186094X428	Wheel Steering
2	184706	Axle Asm Cast Iron LT
3	169840	Spindle Asm LH
4	169839	Spindle Asm RH
5	6266H	Bearing Race Thrust Harden
6	121748X	Washer 25/32 x 1-5/8 x 16 Ga.
8	12000029	Ring Klip #t5304-75
10	175121	Link Drag
11	10040600	Washer Lock Hvy Hlcl Spr 3/8
12	73940800	Nut Hex Jam Toplock 1/2-20 unf
13	136518	Spacer Brg Axle Front
15	145212	Nut Hex Flange Lock
17	177883	Shaft Asm Steering
26	126847X	Bushing Link Drag
28	19131416	Washer 13/32 x 7/8 x 16 Ga.
29	17000612	Screw 3/8-16 x .75
30	76020412	Pin Cotter 1/8 x 3/4
32	192757	Rod Tie
36	155105	Bushing Strg
37	152927	Screw
38	186095X428	Insert Cap Strg Wh
39	19182411	Washer 9/16 x 1 1/20 x 11 Ga.
40	73540600	Crownlock nut
41	159945	Adaptor Wheel Strg
42	163888X428	Boot Steering Dash
43	121749X	Washer 25/32 x 1 1/4 x 16 Ga.
46	121232X	Cap Spindle Fr Top Blk
65	160367	Spacer Brace Axle
67	72110618	Bolt RDHD SQNK 3/8-16 x 2 1/4
71	175146	Steering Asm
68	169827	Axle, Brace
82	169835	Bracket Susp Chassis Front
87	173966	Washer Flat .781 x 1-1/2 x .14
88	175118	Bolt Shoulder 7/16-20 unc
91	175553	Clip Steering
95	188967	Washer Harden .739 x 1.637 x 060

NOTE: All component dimensions given in U.S. inches
1 inch = 25.4 mm

TRACTOR - - MODEL NUMBER PK1942YT (96012001700)

SEAT ASSEMBLY



seat_lt.knob_14

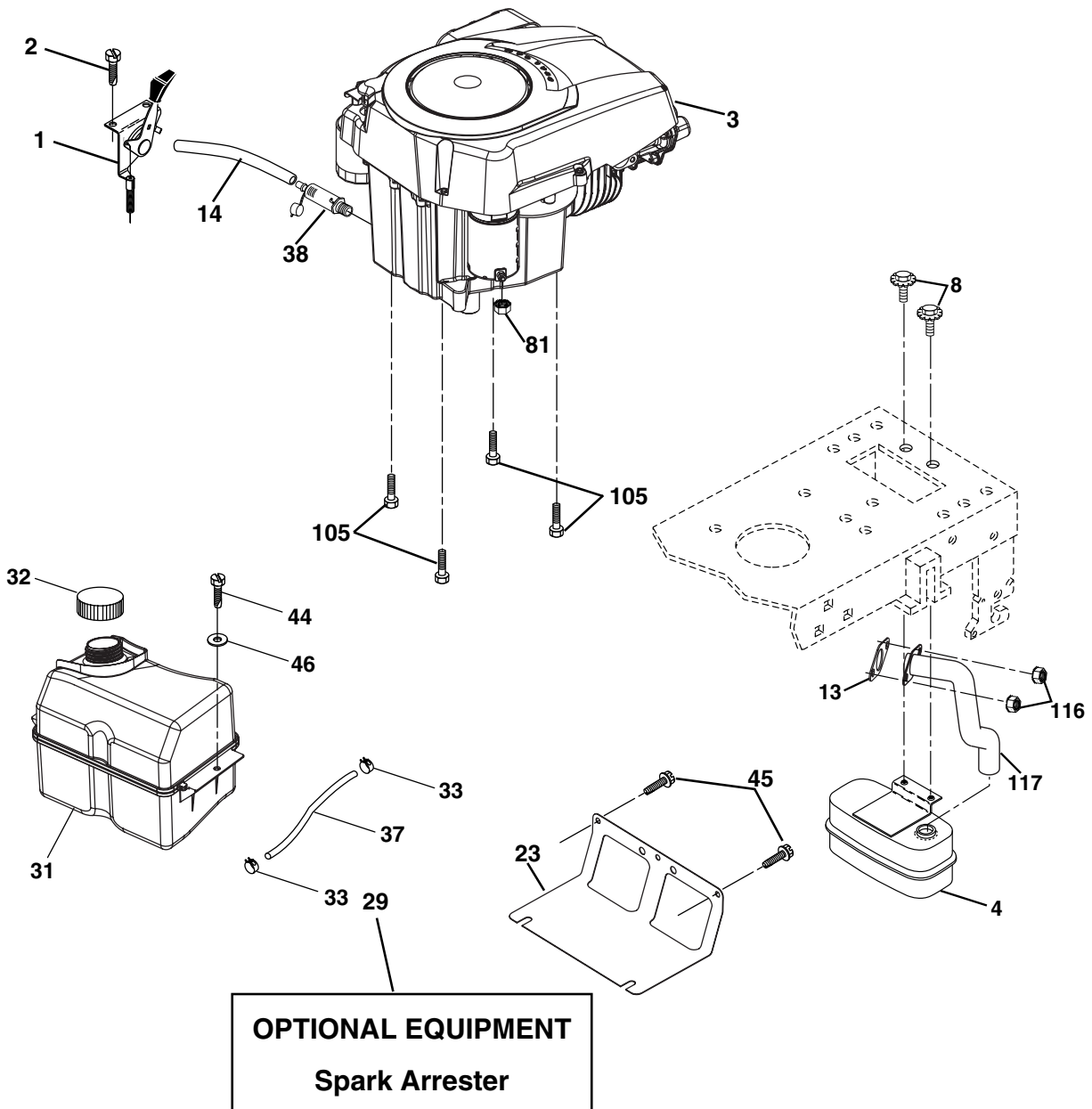
KEY NO.	PART NO.	DESCRIPTION
1	189022	Seat
2	140551	Bracket Pivot Seat 8 720
3	71110616	Bolt Fin Hex 3/8-16 unc x 1
4	19131610	Washer 13/32 x 1 x 10 Ga.
5	145006	Clip Push-In
6	73800600	Nut Hex w/Ins. 3/8-16 unc
7	124181X	Spring Seat Cprsn 2 250 Blk Zi
8	17000616	Screw 3/8-16 x 1.5 Smgml
9	19131614	Washer 13/32 x 1 x 14 Ga.
10	182493	Pan Seat
11	166369	Knob Seat
12	169919	Bracket Mounting Switch

KEY NO.	PART NO.	DESCRIPTION
13	121248X	Bushing Snap Blk Nyl 50 Id
14	72050412	Bolt Rdhd Sqnk 1/4-20 x 1-1/2
15	121249X	Spacer Split 28x 88
16	123740X	Spring Cprsn
17	123976X	Nut Lock 1/4 Lge Flg Gr. 5 Zinc
21	171852	Bolt Shoulder 5/16-18 unc
22	73800500	Nut Hex Lock W/Ins 5/16-18
24	19171912	Washer 17/32 x 1-3/16 x 12 Ga.
25	127018X	Bolt Shoulder 5/16-18 x 62

NOTE: All component dimensions given in U.S. inches
1 inch = 25.4 mm

TRACTOR - - MODEL NUMBER PK1942YT (96012001700)

ENGINE



engine-kohler_42

KEY NO.	PART NO.	DESCRIPTION
1	175438X428	Control, Throttle
2	191611	Screw 10 x 3/4 Single Lead-Hex
3	-----	Engine Kohl Model SV590 (Order Parts from Engine Mfg.)
4	188655	Muffler
8	171877	Bolt 5/16-18 UNC x 3/4
13	185909	Muffler Gasket
14	148456	Tube Oil Drain
23	169837	Shield, Browning/Debris Guard
29	137180	Arrester, Spark
31	185534	Tank, Fuel
32	140527	Cap, Fuel
33	123487X	Clamp, Hose Blk
37	137040	Line, Fuel
38	181654	Plug Drain Oil Easy
44	17670412	Screw Hex Wsh THDROL 1/4-20 x 3/4

KEY NO.	PART NO.	DESCRIPTION
45	17000612	Screw Hex Wsh Thdrol 3/8-16 x 3/4
46	19091416	Washer 9/32 x 7/8 x 16 Ga.
81	73510400	Nut Keps Hex 1/4-20 unc
116	184362	Nut Hex Flange Toplock M8-1.25
117	188654	Tube Exhaust

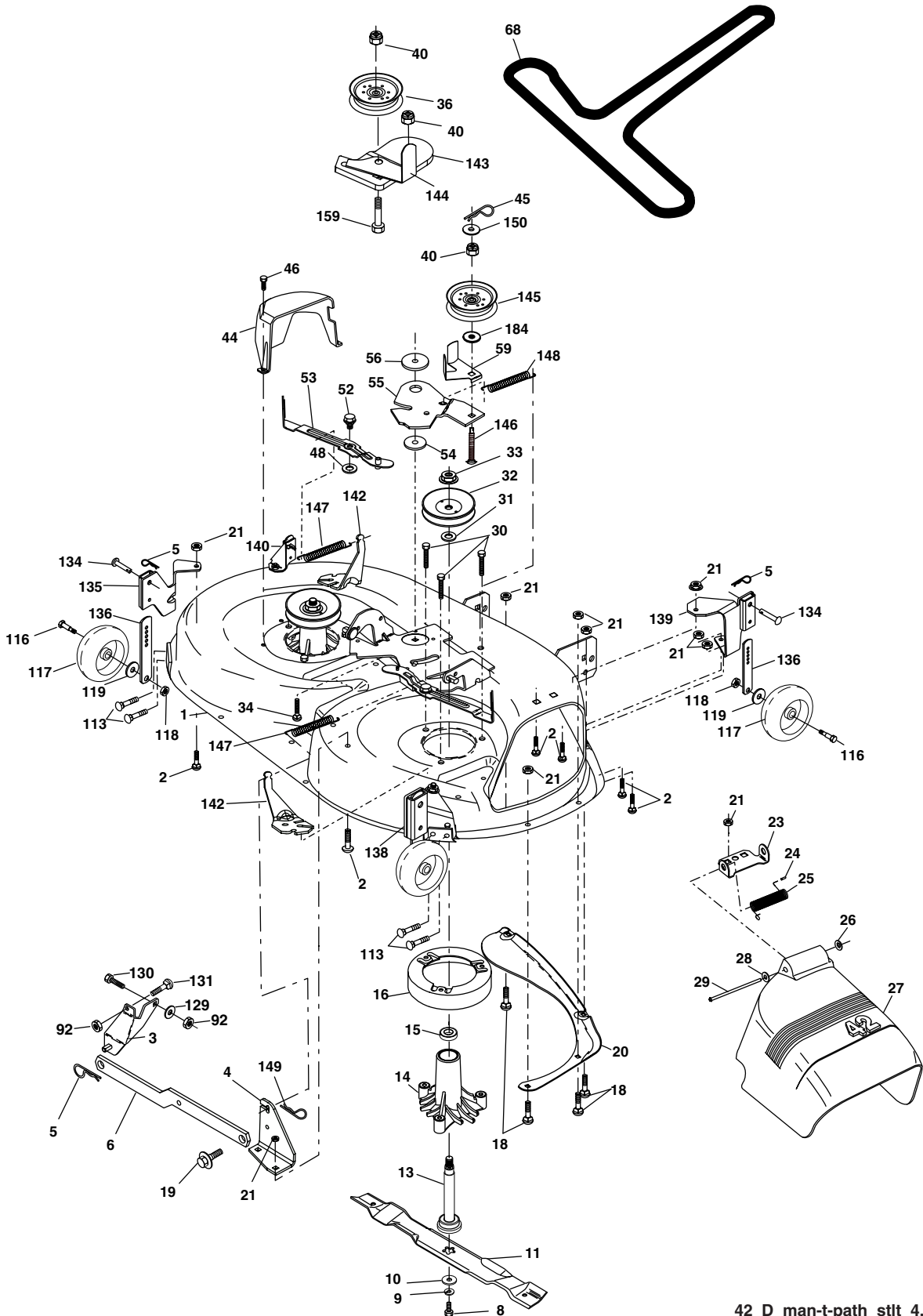
NOTE: All component dimensions given in U.S. inches
1 inch = 25.4 mm

For engine service and replacement parts, call the toll free number for your engine manufacturer listed below:

Briggs & Stratton	1-800-233-3723
Kohler Co.	1-800-544-2444
Tecumseh Products	1-800-558-5402
Honda Engines	1-800-426-7701
Kawasaki	1-949-460-5688

TRACTOR - - MODEL NUMBER PK1942YT (96012001700)

MOWER DECK



42_D_man-t-path_stlt_4.

TRACTOR - - MODEL NUMBER PK1942YT (96012001700)

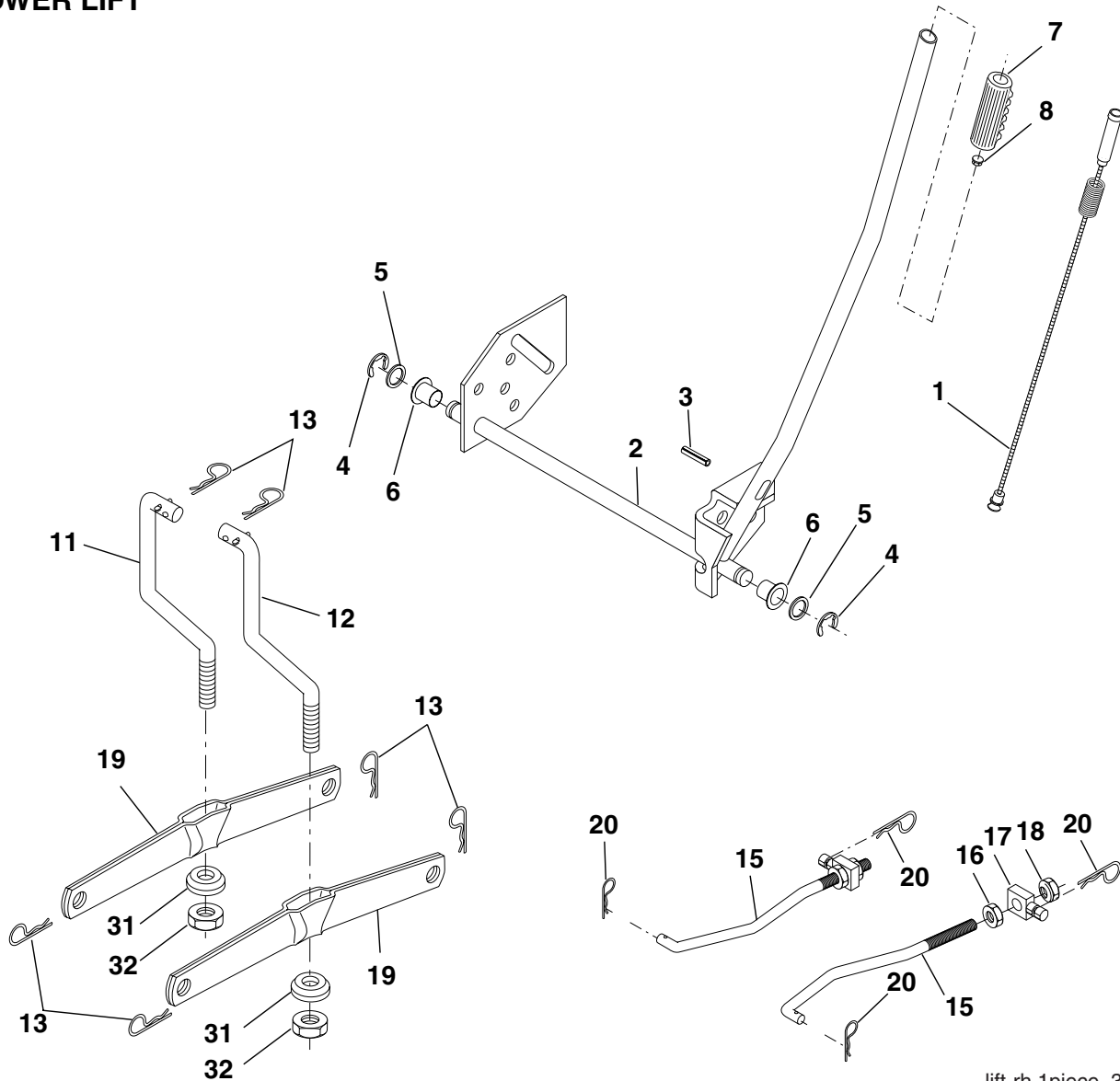
MOWER DECK

KEY NO.	PART NO.	DESCRIPTION	KEY NO.	PART NO.	DESCRIPTION
1	182032X421	Mower Deck Assembly, 42"	54	178515	Washer, Hardened
2	72140506	Bolt	55	155046	Arm, Idler
3	138017	Bracket Asm Fr. Sway Bar 3/42	56	122052X	Spacer, Retainer
4	165460	Bracket Asm Deck 42" Sway Bar	59	141043	Guard TUV Idler
5	4939M	Retainer Spring	67	171598	Knob Round
6	178024	Bar Sway Deck	68	144959	V-Belt, 42" Mower
8	850857	Bolt 3/8-24 x 1.25 Gr. 8 patched	92	7380060	Nut Lock Hex W/Ins 3/8-16 UNC
9	10030600	Washer, Lock	113	17060510	Screw 5/16-18
10	140296	Washer, Hardened	116	4898H	Bolt, Shoulder
		(The following Blades are available)	117	188606	Wheel, Gauge
11	134149	Blade, Mulching 42" Std (for mulching mowers only)	118	73930600	Nut Centerlock 3/8-16
--	139775	Blade Mulching 42" Premium (For better wear when mulching)	119	19121414	Washer 3/8 x 7/8 x 14 Ga.
--	138971	Blade Mower 42" Hi-Lift (for bagging and discharging)	129	19131312	Washer 13/32 x 13/16 x 12 Ga.
13	137645	Shaft Assembly, Mandrel, Vented	130	74780616	Bolt Fin Hex 3/8-16 UNC x 1 Gr. 5
14	128774	Housing, Mandrel, Vented	131	72140608	Bolt RDHD SQNK 3/8-16 UNC x 1
15	110485X	Bearing, Ball, Mandrel	134	156941	Pin Head Rivet
16	174493	Stripper, Mandrel Deck	135	159765X421	Bracket Asm. Whl Ga. R LH
18	72140505	Bolt, Carriage 5/16-18 x 5/8	136	155986	Bar Adjusting Gauge Wheel
19	132827	Bolt, Shoulder	138	159763X421	Bracket Asm Whl Ga. R RH
20	159770	Baffle, Vortex	139	159767X421	Bracket Asm. Whl Ga. F RH
21	73680500	Nut	140	159768X421	Bracket Asm Whl Ga. F LH
23	177563	Bracket, Deflector Mower 42"	142	165890	Arm Spring Brake Mower
24	105304X	Cap, Sleeve 80 x 112 Blk Mower	143	157109	Bracket Arm Idler 42"
25	123713X	Spring, Torsion, Deflector 2 52	144	173441	Keeper Belt 42" Clutch Cable
26	110452X	Nut, Push Phos & Oil	145	173437	Pulley Idler Flat
27	130968X428	Shield, Deflector 42" Blk	146	173443	Bolt Carriage Idler
28	19111016	Washer 11/32 x 5/8 x 16 Ga.	147	131335	Spring Extension
29	131491	Rod, Hinge 42" 6 75 W/G	148	169022	Spring Return Idler
30	173984	Screw Thdrol	149	165898	Retainer Spring Yellow
31	187690	Washer, Spacer Mower Vented	150	19091210	Washer 9/32 x 3/4 x 10 Ga.
32	173436	Pulley, Mandrel	159	72140614	Bolt Rdhd Sqn 3/8-16 unc x 1-3/4
33	178342	Nut, Toplock	184	19131410	Washer 13/32 x 7/8 x 10 Ga.
34	72110612	Bolt Carr SH 3/8-16 x 1-1/2 Gr.5	--	130794	Mandrel Assembly (Includes Housing Shaft and Shaft Hardware Only - Pulley Not Included)
36	173438	Pulley, Idler, Flat	--	184563	Replacement Mower, Complete (Std. deck Order separately mulcher cover and gauge wheel components Key Nos. 101-106 and 116-119)
40	73900600	Nut Lock 3/8-16			
44	140088	Guard, Mandrel, LH			
45	4497H	Retainer			
48	133944	Washer, Hardened			
52	139888	Bolt, Shoulder 5/16-18 unc			
53	184907	Arm Assembly, Pad, Brake			

NOTE: All component dimensions given in U.S. inches
1 inch = 25.4 mm

TRACTOR - - MODEL NUMBER PK1942YT (96012001700)

MOWER LIFT



lift-rh.1piece_3

KEY NO.	PART NO.	DESCRIPTION
1	159461	Wire Asm Inner/Sprg W/plunger
2	159476	Shaft Asm Lift RH w/Inf
3	188822	Pin Groove 5/16 Dia x 1.875
4	12000002	E Ring #5133-62
5	19211621	Washer 21/32 x 1 x 21 Ga.
6	120183X	Bearing Nylon Blk 629 Id
7	125631X	Grip Handle
8	124526X	Button Plunger
11	139865	Link Lift LH Fixed Length
12	139866	Link Lift RH Fixed Length
13	4939M	Retainer Spring
15	173288	Link Front
16	73350800	Nut Jam Hex 1/2-13 unc
17	175689	Trunnion
18	73800800	Nut Lock W/Wsh 1/2-13 unc
19	139868	Arm Suspension Rear
20	163552	Retainer Spring
31	169865	Bearing Pvt Lift
32	73540600	Nut Crownlock 3/8 - 24

NOTE: All component dimensions given in U.S. inches
1 inch = 25.4 mm