

ILLUSTRATED PARTS LIST

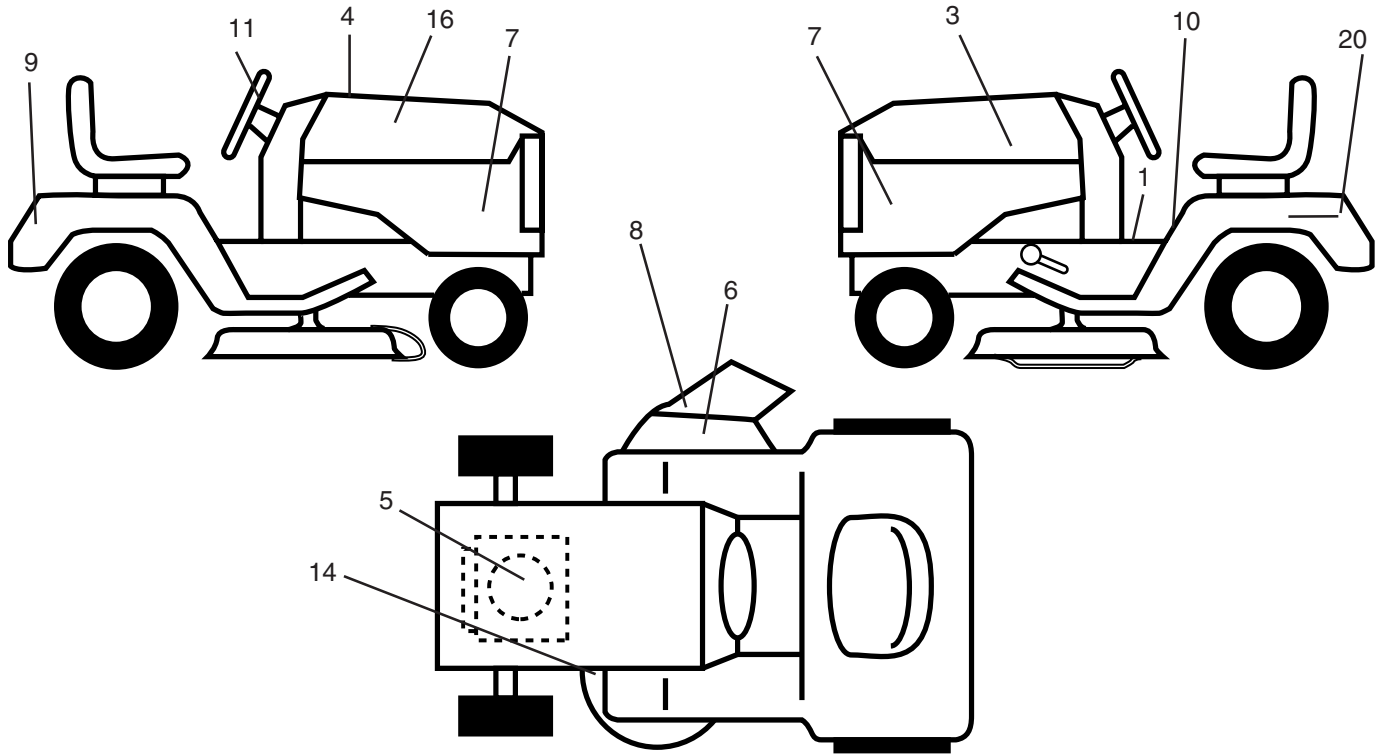
MODEL NO. 96012001100

CUSTOMER CATALOG NO. PD17542LT

REPAIR PARTS

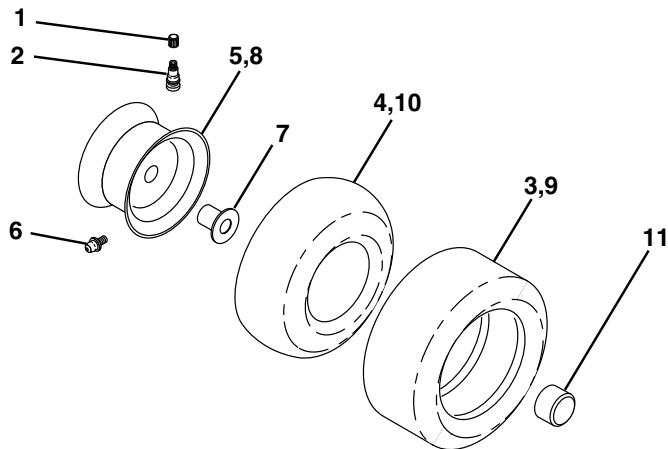
TRACTOR -- MODEL NUMBER PD17542LT (96012001100)

DECALS



| KEY NO. | PART NO. | DESCRIPTION | KEY NO. | PART NO. | DESCRIPTION |
|---------|----------|------------------------------|---------|---------------|--------------------------------|
| 1 | 193863 | Decal Oper | 10 | 157140 | Decal Fender Danger E/F |
| 3 | 188978 | Decal Hood LH | 11 | 189705 | Decal Ins Strg Whl |
| 4 | 194691 | Decal Replace | 14 | 160396 | Decal V-Belt Schematic |
| 5 | 184774 | Decal HP Engine | 16 | 188977 | Decal Hood Rh |
| 6 | 179128 | Decal Deck "B" 42" | 20 | 145005 | Decal Bat Dan/Psn |
| 7 | 188980 | Decal Side Panel | -- | 138311 | Decal Handle Lft Height Adjust |
| 8 | 170563 | Decal Warning Multi-Language | -- | 194613 | Manual Operator's E&F |
| 9 | 158166 | Decal Fender Logo | -- | 194614 | Manual Parts E&F |

WHEELS & TIRES



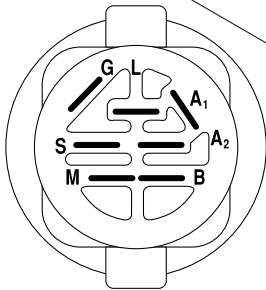
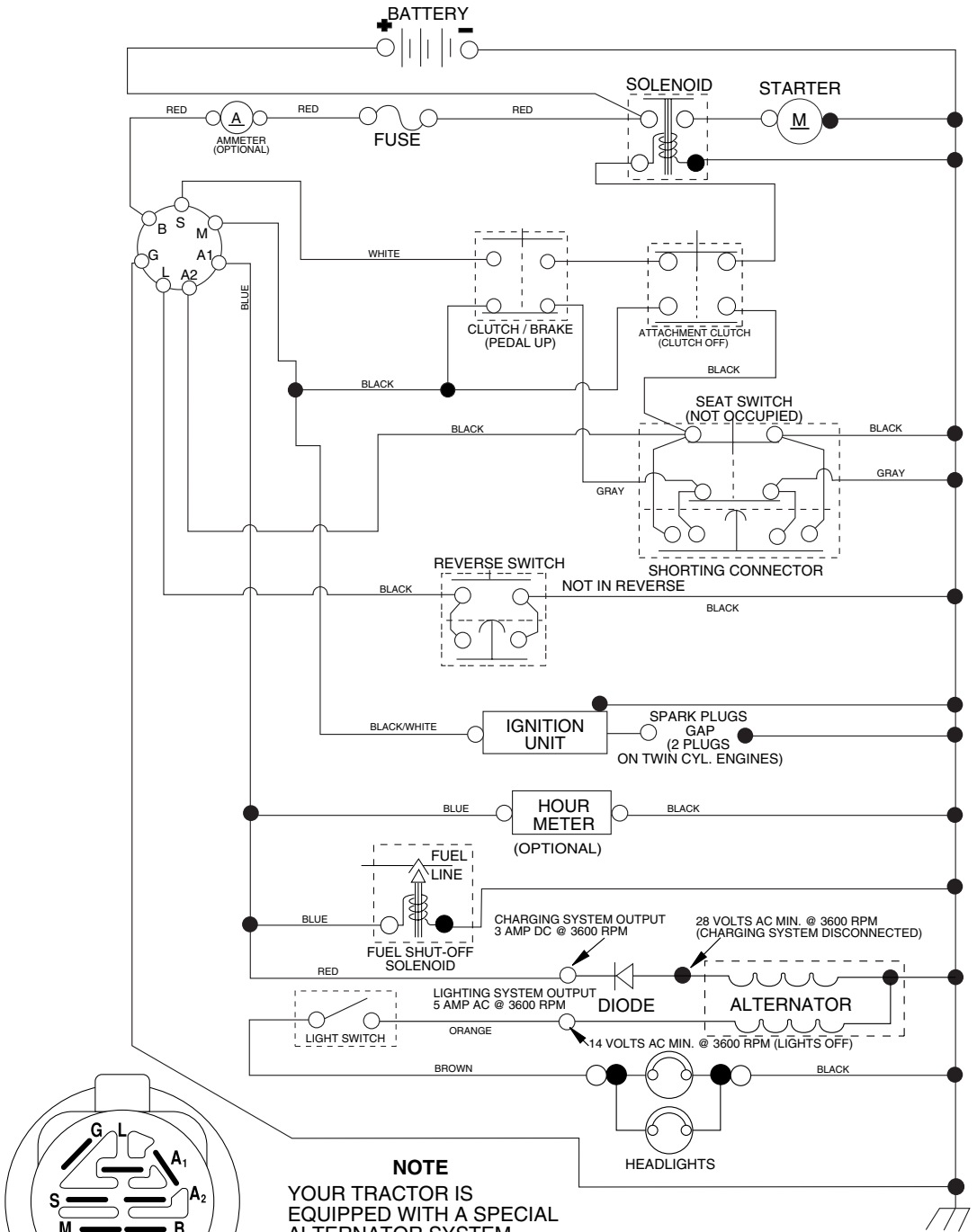
| KEY NO. | PART NO. | DESCRIPTION |
|---------|------------|-----------------------------------|
| 1 | 59192 | Cap Valve Tire |
| 2 | 65139 | Stem Valve |
| 3 | 124157X | Tire F Ts 15 x 6 0 - 6 Service |
| 4 | 59904 | Tube Front (Service Item Only) |
| 5 | 106732X624 | Rim Asm 6" Front Service |
| 6 | 278H | Fitting Grease (Front Wheel Only) |
| 7 | 9040H | Bearing Flange (Front Wheel Only) |
| 8 | 106108X624 | Rim Asm 8" Rear Service |
| 9 | 123969X | Tire R Ts 18 x 8.5-8 Service |
| 10 | 7152J | Tube Rear (Service Item Only) |
| 11 | 104757X428 | Cap Axle 1 50 x 1 00 |
| -- | 144334 | Sealant, Tire (10 oz. Tube) |

NOTE: All component dimensions given in U.S. inches
1 inch = 25.4 mm

REPAIR PARTS

TRACTOR -- MODEL NUMBER PD17542LT (96012001100)

SCHEMATIC



IGNITION SWITCH

| POSITION | CIRCUIT "MAKE" |
|--------------|----------------|
| OFF | M+G+A1 |
| RUN/OVERRIDE | B+A1 |
| RUN | B+A1 L+A2 |
| START | B + S + A1 |

NOTE
 YOUR TRACTOR IS EQUIPPED WITH A SPECIAL ALTERNATOR SYSTEM. THE LIGHTS ARE NOT CONNECTED TO THE BATTERY, BUT HAVE THEIR OWN ELECTRICAL SOURCE. BECAUSE OF THIS, THE BRIGHTNESS OF THE LIGHTS WILL CHANGE WITH ENGINE SPEED. AT IDLE THE LIGHTS WILL DIM. AS THE ENGINE IS SPEEDED UP, THE LIGHTS WILL BECOME THEIR BRIGHTEST.

02836

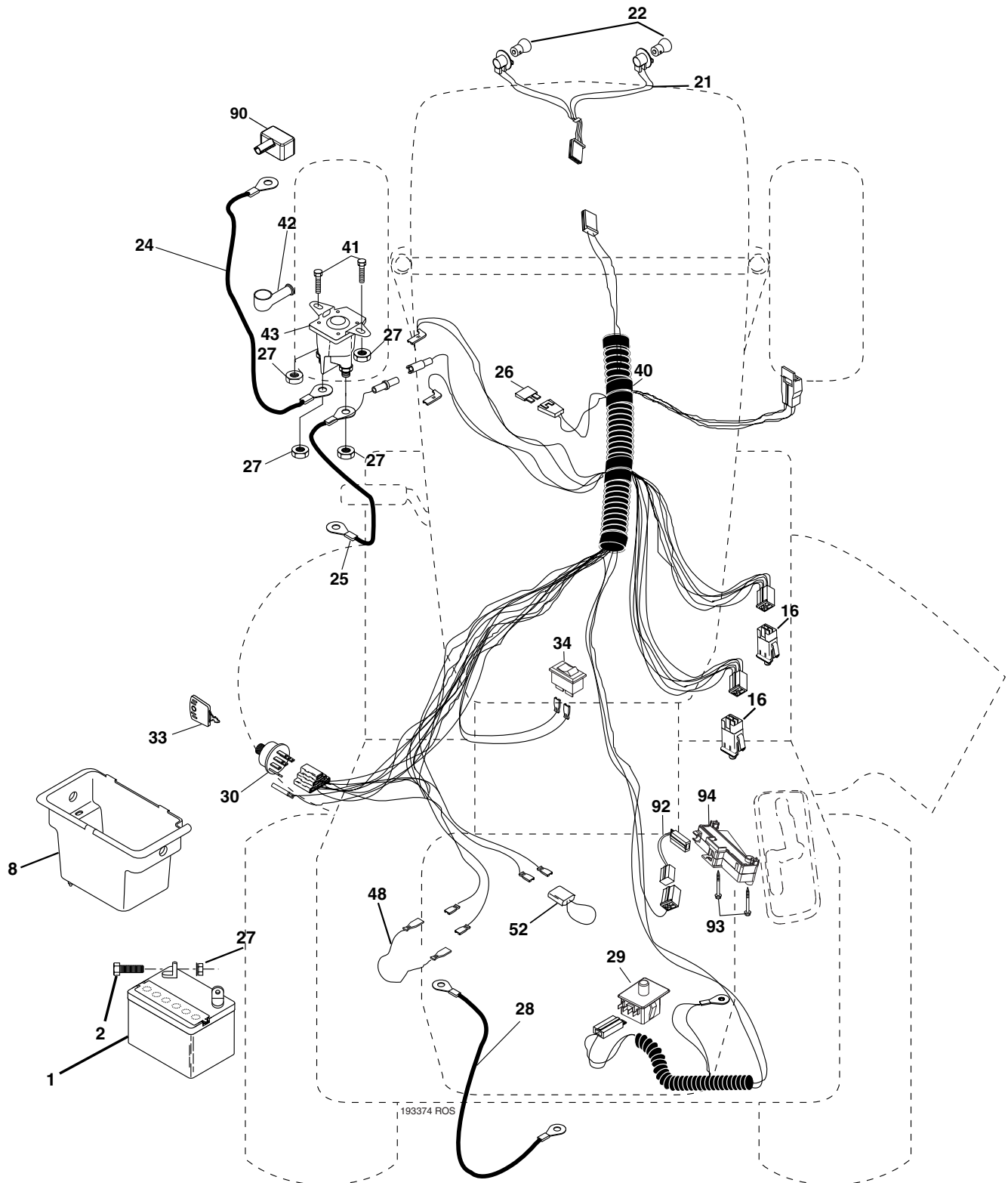
● NON-REMOVABLE CONNECTIONS
 ○ REMOVABLE CONNECTIONS

WIRING INSULATED CLIPS
NOTE: IF WIRING INSULATED CLIPS WERE REMOVED FOR SERVICING OF UNIT, THEY SHOULD BE REPLACED TO PROPERLY SECURE YOUR WIRING.

REPAIR PARTS

TRACTOR -- MODEL NUMBER PD17542LT (96012001100)

ELECTRICAL



REPAIR PARTS

TRACTOR - - MODEL NUMBER PD17542LT (96012001100)

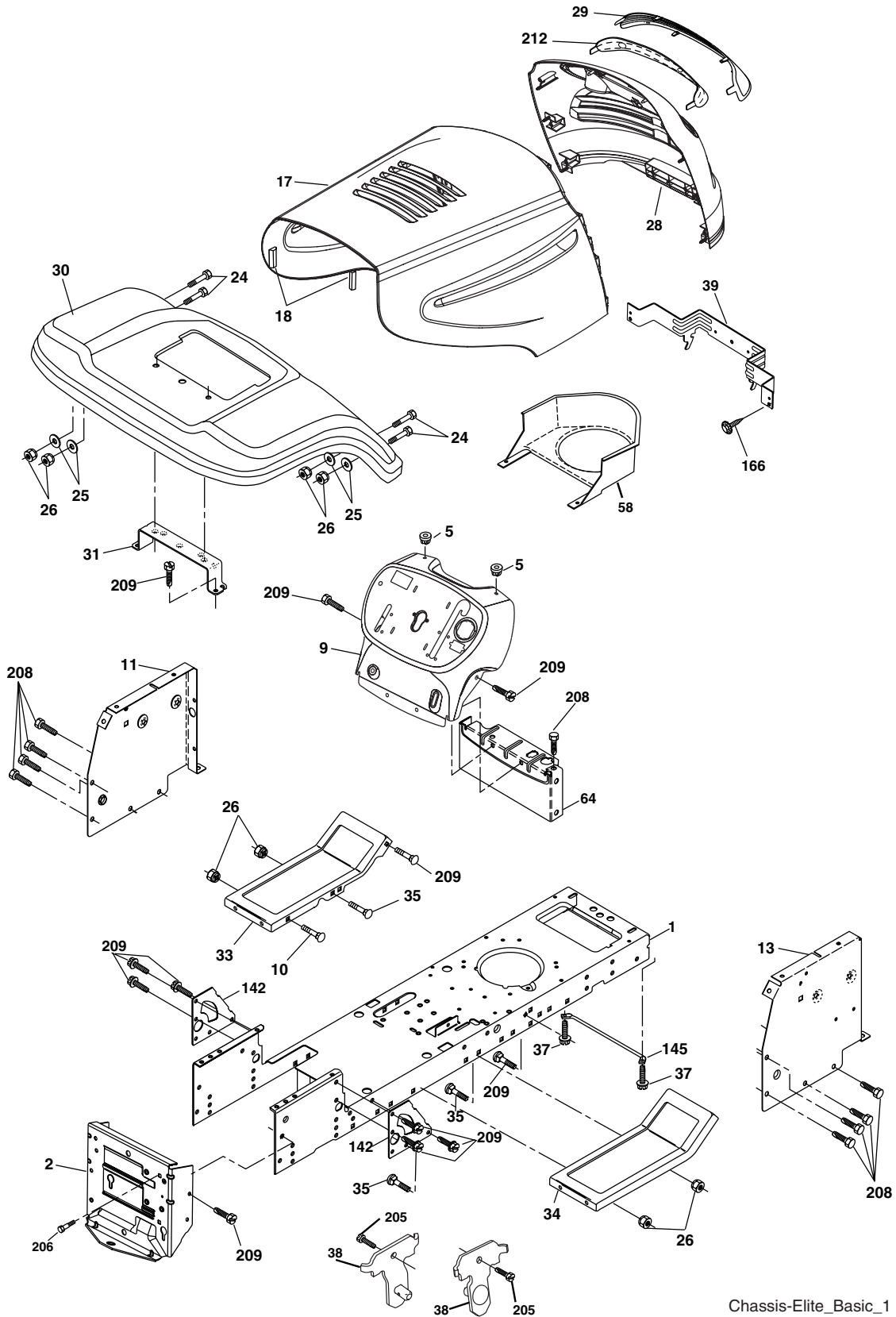
ELECTRICAL

| KEY NO. | PART NO. | DESCRIPTION |
|---------|----------|-----------------------------------|
| 1 | 163465 | Battery 12 Volt 25 Amp |
| 2 | 74760412 | Bolt Hex Hd 1/4-20 unc x 3/4 |
| 8 | 176689 | Box Battery |
| 16 | 176138 | Switch Interlock Push -In |
| 21 | 183759 | Harness Asm Light W/4152J |
| 22 | 4152J | Bulb Light #1156 |
| 24 | 4799J | Cable Battery 6 Ga. 11"red |
| 25 | 146147 | Cable Battery 6 Ga. w/16 wire,red |
| 26 | 175158 | Fuse 20 AMP |
| 27 | 73510400 | Nut Keps Hex 1/4-20 unc |
| 28 | 4207J | Cable Ground 6 Ga. 12" black |
| 29 | 192749 | Switch Seat |
| 30 | 193350 | Switch Ign |
| 33 | 140401 | Key Ign |
| 34 | 110712X | Switch Light/Reset |
| 40 | 193374 | Harness Ign |
| 41 | 71110408 | Bolt Blk Fin Hex 1/4-20 x 1/2 |
| 42 | 131563 | Cover Terminal Red |
| 43 | 178861 | Solenoid |
| 48 | 140844 | Adapter Ammeter |
| 52 | 141940 | Protection Wire Loop |
| 90 | 180449 | Cover Terminal |
| 92 | 193465 | Harness Pigtail Reverse Switch |
| 93 | 192540 | Screw Plastite 10-14 x 2.0 |
| 94 | 191834 | Module Reverse ROS |

NOTE: All component dimensions give in U.S. inches
1 inch = 25.4 mm.

REPAIR PARTS

TRACTOR - - MODEL NUMBER PD17542LT (96012001100) CHASSIS AND ENCLOSURES



Chassis-Elite_Basic_1

REPAIR PARTS

TRACTOR - - MODEL NUMBER PD17542LT (96012001100) CHASSIS AND ENCLOSURES

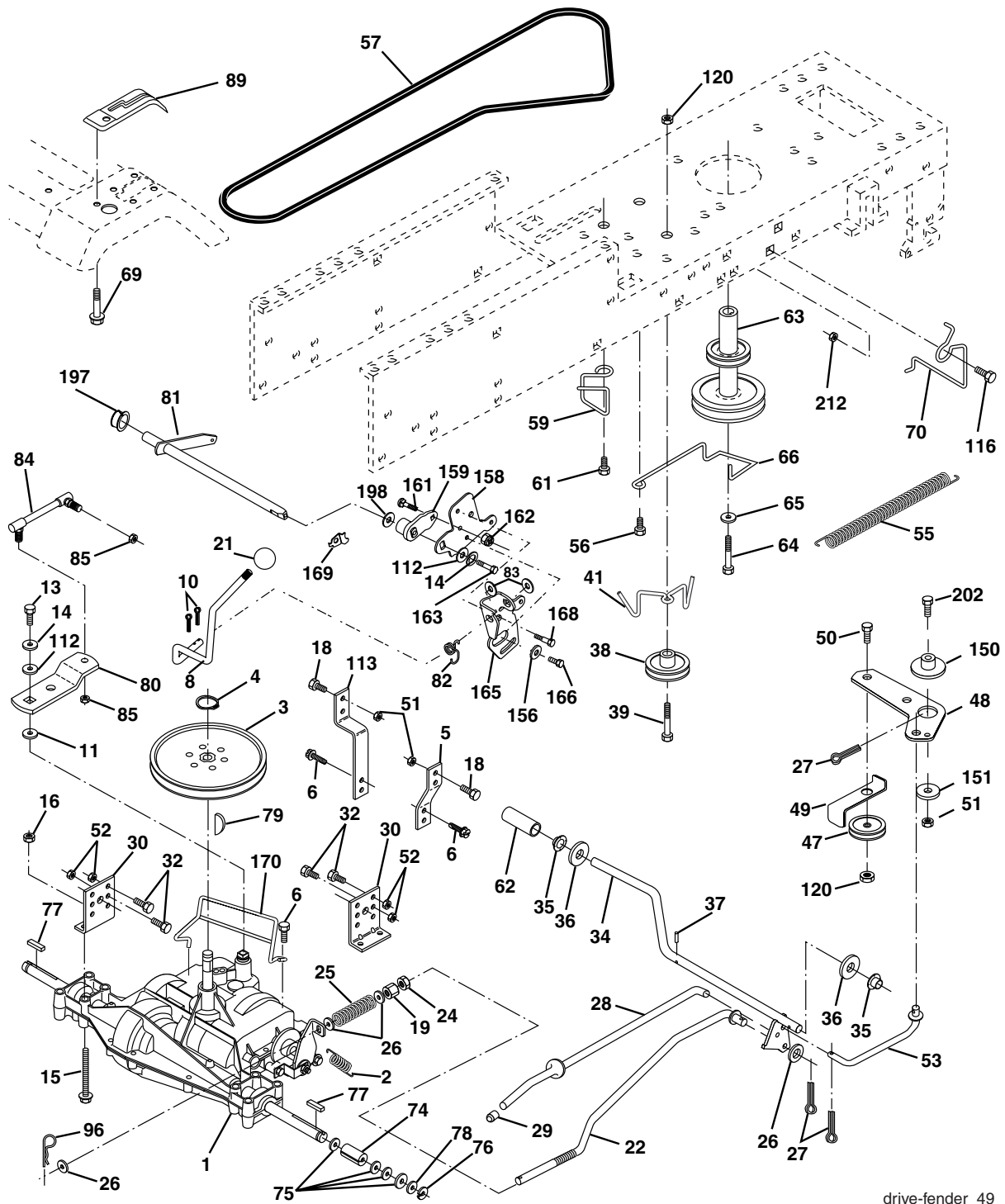
| KEY NO. | PART NO. | DESCRIPTION |
|---------|------------|----------------------------------|
| 1 | 174619 | Chassis |
| 2 | 176554 | Drawbar |
| 5 | 155272 | Bumper Hood/Dash |
| 9 | 193510X010 | Dash |
| 10 | 72140608 | Bolt Carriage 3/8-16 x 1 |
| 11 | 174996 | Panel Dash Lh |
| 13 | 179174X010 | Panel Dash Rh |
| 17 | 183394X428 | Hood |
| 18 | 126938X | Bumper Hood |
| 24 | 74780616 | Bolt Fin Hex 3/8-16 x 1 Gr. 5 |
| 25 | 19131312 | Washer 13/32 x 13/16 x 12 Ga. |
| 26 | 73800600 | Nut Lock Hex W/Ins 3/8-16 unc |
| 28 | 183826 | Grille |
| 29 | 183824X599 | Lens |
| 30 | 192526X428 | Fender Footrest STLT Pnt |
| 31 | 136619 | Bracket Support Fender |
| 33 | 179716X428 | Footrest Pnt Lh |
| 34 | 179717X428 | Footrest Pnt Rh |
| 35 | 72110606 | Bolt Rdhd Sht Sqnk 3/8-16 x 3/4 |
| 37 | 17490508 | Screw Thdrol 6/16-18 x 1/2 TYT |
| 38 | 175710 | Bracket Asm. Pivot Mower Rear |
| 39 | 174714 | Bracket Pivot |
| 58 | 150127 | Duct Air |
| 64 | 154798 | Dash Lower STLT |
| 142 | 175702 | Plate Reinforcement STLT |
| 145 | 156524 | Rod Pivot Chassis/Hood |
| 166 | 171875 | Screw HWHD Hi-Lo #13-16 x 5/8 |
| 205 | 17490608 | Screw Thdrol 3/8-16 x 1-1/4 |
| 206 | 170165 | Bolt Shoulder 5/16-18 |
| 207 | 17670508 | Screw Thdrol 5/16-18 x 1/2 |
| 208 | 17670608 | Screw Thdrol 3/8-16 x 1/2 |
| 209 | 17000612 | Screw Hex Wsh Thdr. 3/8-16 x 3/4 |
| 212 | 183823 | Insert Lens Reflect |
| 278 | 191611 | Screw 10 x 3/4 Single Lead-Hex |
| -- | 187801 | Plug Dome |
| -- | 5479J | Plug Btn Blk .359 |

NOTE: All component dimensions given in U.S. inches
1 inch = 25.4 mm

REPAIR PARTS

TRACTOR -- MODEL NUMBER PD17542LT (96012001100)

DRIVE



drive-fender_49

REPAIR PARTS

TRACTOR - - MODEL NUMBER PD17542LT (96012001100)

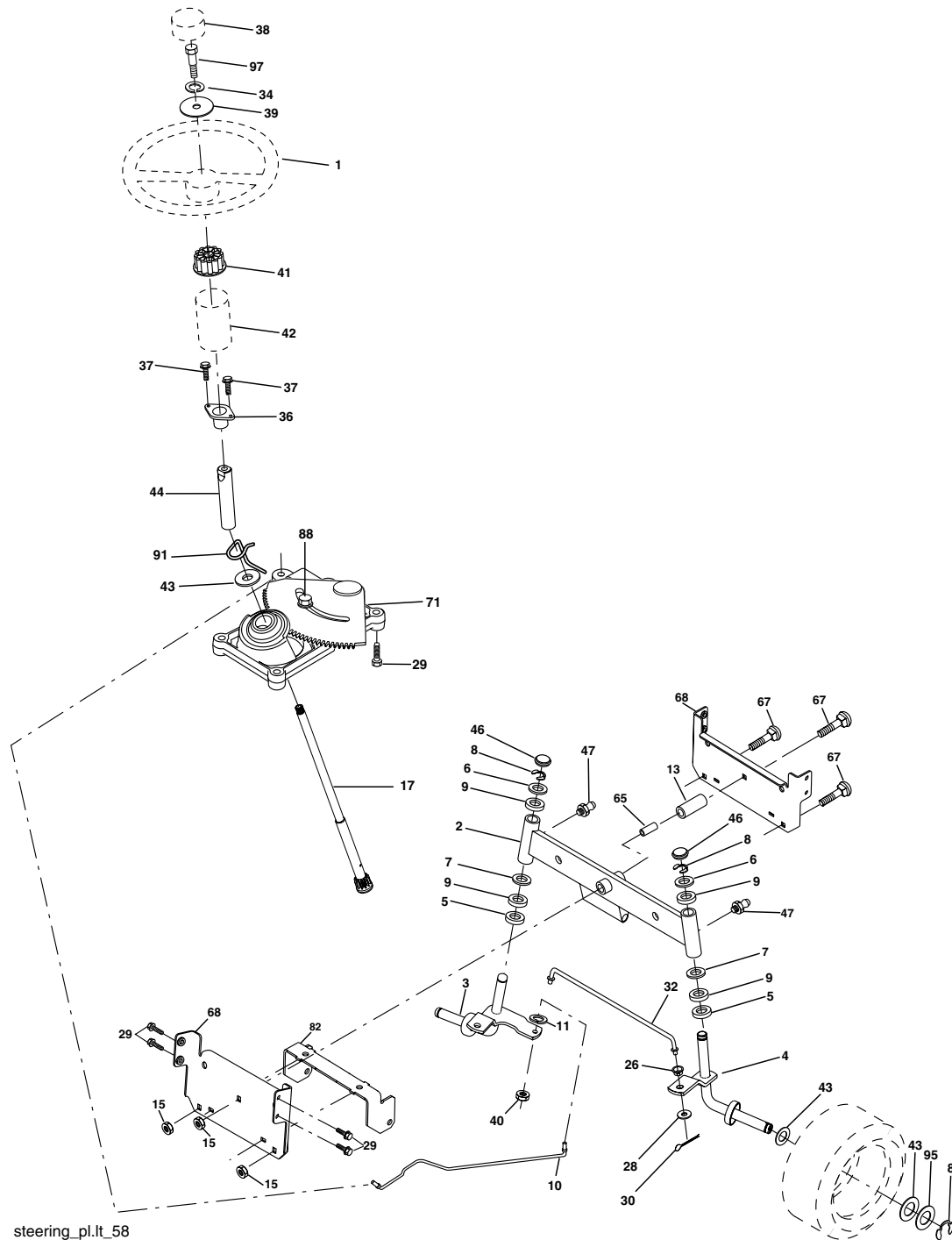
DRIVE

| KEY NO. | PART NO. | DESCRIPTION | KEY NO. | PART NO. | DESCRIPTION |
|---------|----------|--|---------|------------|---------------------------------------|
| 1 | ----- | Transaxle Peerless (206-545C) (Order parts from transaxle manufacturer) | 62 | 8883R | Cover Pedal Blk Round |
| 2 | 146682 | Spring Return Brake T/a Zinc | 63 | 175410 | Engine Pulley |
| 3 | 123666X | Pulley Transaxle 18" tires | 64 | 173937 | Bolt Hex |
| 4 | 12000028 | Ring Retainer # 5100-62 | 65 | 10040700 | Washer Lock Hvy Hlcl Spr 7/16 |
| 5 | 121520X | Strap Torque 30 Degrees | 66 | 154778 | Keeper Belt Engine Foolproof |
| 6 | 17000512 | Screw 5/16-18 X 3/4 | 69 | 142432 | Screw Hex wsh HiLo 1/4 x 1/2 unc |
| 8 | 192706 | Rod Shift Fender Adjust Lt | 70 | 134683 | Guide Belt Mower Drive RH |
| 10 | 76020416 | Pin Cotter 1/8 X 1 Cad | 74 | 137057 | Spacer Axle |
| 11 | 105701X | Washer Plate Shf 388 Sq Hole | 75 | 121749X | Washer 25/32 x 1 1/4 x 16 Ga. |
| 13 | 74550412 | Bolt 1/4-28 Unf Gr. 8 W/Patch | 76 | 12000001 | E-ring #5133-75 |
| 14 | 10040400 | Washer Lock Hvy Helical | 77 | 123583X | Key Square 2 0 x 1845/ 1865 |
| 15 | 74490544 | Bolt Hex FLGHD 5/16-18 Gr. 5 | 78 | 121748X | Washer 25/32 x 1-5/8 x 16 Ga. |
| 16 | 73800500 | Nut Lock Hex w/ins 5/16-18 | 79 | 2228M | Key Woodruff #9 3/16 x 3/4 |
| 18 | 74780616 | Bolt, Fin Hex 3/8-16 unc x 1 Gr. 5 | 80 | 131486 | Arm Shift |
| 19 | 73800600 | Nut Lock 3/8-16 Unc | 81 | 165594 | Shaft Asm Cross Tapered PMST/ 20 |
| 21 | 106933X | Knob | 82 | 123782X | Spring Torsion T/a |
| 22 | 130804 | Rod Brake Blk Zinc 26 840 | 83 | 19171216 | Washer 17/32 x 3/4 x 16 Ga. |
| 24 | 73350600 | Nut Hex Jam 3/8-16 unc | 84 | 166228 | Link Transaxle PMST/18" Zinc |
| 25 | 106888X | Spring Rod Brake 2 00 Zinc | 85 | 150360 | Nut Lock Center 1/4 - 28 FNTHD |
| 26 | 19131316 | Washer 13/32 x 13/16 x 16 Ga. | 89 | 192053X428 | Console Shift STLT |
| 27 | 76020412 | Pin Cotter 1/8 x 3/4 Cad | 96 | 4497H | Retainer Spring 1" |
| 28 | 175765 | Rod Brake Parking LT/YT | 112 | 19091210 | Washer 9/32 x 3/4 x 10 Ga. |
| 29 | 71673 | Cap Brake Parking | 113 | 127285X | Strap Torque LT |
| 30 | 174973 | Bracket Mtg Transaxle | 116 | 72140608 | Bolt Rdhd Sq Neck 3/8-16 x 1 |
| 32 | 74760512 | Bolt Hex Hd 5/16-18 unc x 3/4 | 120 | 73900600 | Nut Lock Flg. 3/8-16 unc |
| 34 | 175578 | Shaft Asm Pedal Foot | 150 | 175456 | Spacer Retainer |
| 35 | 120183X | Bearing Nylon Blk 629 Id | 151 | 19133210 | Washer 13/32 x 2 x 10 |
| 36 | 19211616 | Washer 21/32 x 1 x 16 Ga. | 156 | 166002 | Washer Srrted 5/16ID x 1.125 |
| 37 | 1572H | Pin Roll 3/16 X 1" | 158 | 165589 | Bracket Shift Mount |
| 38 | 179114 | Pulley Composite Flat | 159 | 183900 | Hub Tapered Flange Shift Lt |
| 39 | 72110622 | Bolt RDHD 3/8-16 unc x 2-3/4 Gr. 5 | 161 | 72140406 | Bolt Rdhd Sqnk 1/4-20 x 3/4 |
| 41 | 175556 | Keeper Belt Flat Idler | 162 | 73680400 | Nut Crownlock 1/4-20 unc |
| 47 | 127783 | Pulley Idler V Groove Plastic | 163 | 74780416 | Bolt Hex Fin 1/4-20 unc x 1 Gr. 5 |
| 48 | 154407 | Bellcrank Asm | 165 | 165623 | Bracket Pivot Lever |
| 49 | 123205X | Retainer Belt Style Spring | 166 | 17490510 | Screw 5/16-18 x 5/8 |
| 50 | 72110612 | Bolt Carr. Sh. 3/8-16 x 1-1/2 Gr. 5 | 168 | 165492 | Bolt Shoulder 5/16-18 x .561 |
| 51 | 73680600 | Nut Crownlock 3/8-16 unc | 169 | 165580 | Plate Fastening |
| 52 | 73680500 | Nut Crownlock 5/16-18 unc | 170 | 187414 | Keeper Belt Transaxle Gear |
| 53 | 105710X | Link Clutch | 197 | 169613 | Nyliner Snap-In |
| 55 | 105709X | Spring Return Clutch 6 75 | 198 | 169593 | Washer Nyliner |
| 56 | 17060620 | Screw 3/8-16 x 1-1/4 | 202 | 72110614 | Bolt RdHd 3/8-16 unc x 1-3/4 Gr. 5 |
| 57 | 130801 | V-Belt Ground Drive 95 25 | 212 | 145212 | Nut Hexflange Lock |
| 59 | 169691 | Keeper Belt Span Ctr | | | |
| 61 | 17120614 | Screw 3/8-16 x .875 | | | |

NOTE: All component dimensions given in U.S. inches
1 inch = 25.4 mm

REPAIR PARTS

TRACTOR - - MODEL NUMBER PD17542LT (96012001100) STEERING ASSEMBLY



REPAIR PARTS

TRACTOR - - MODEL NUMBER PD17542LT (96012001100) STEERING ASSEMBLY

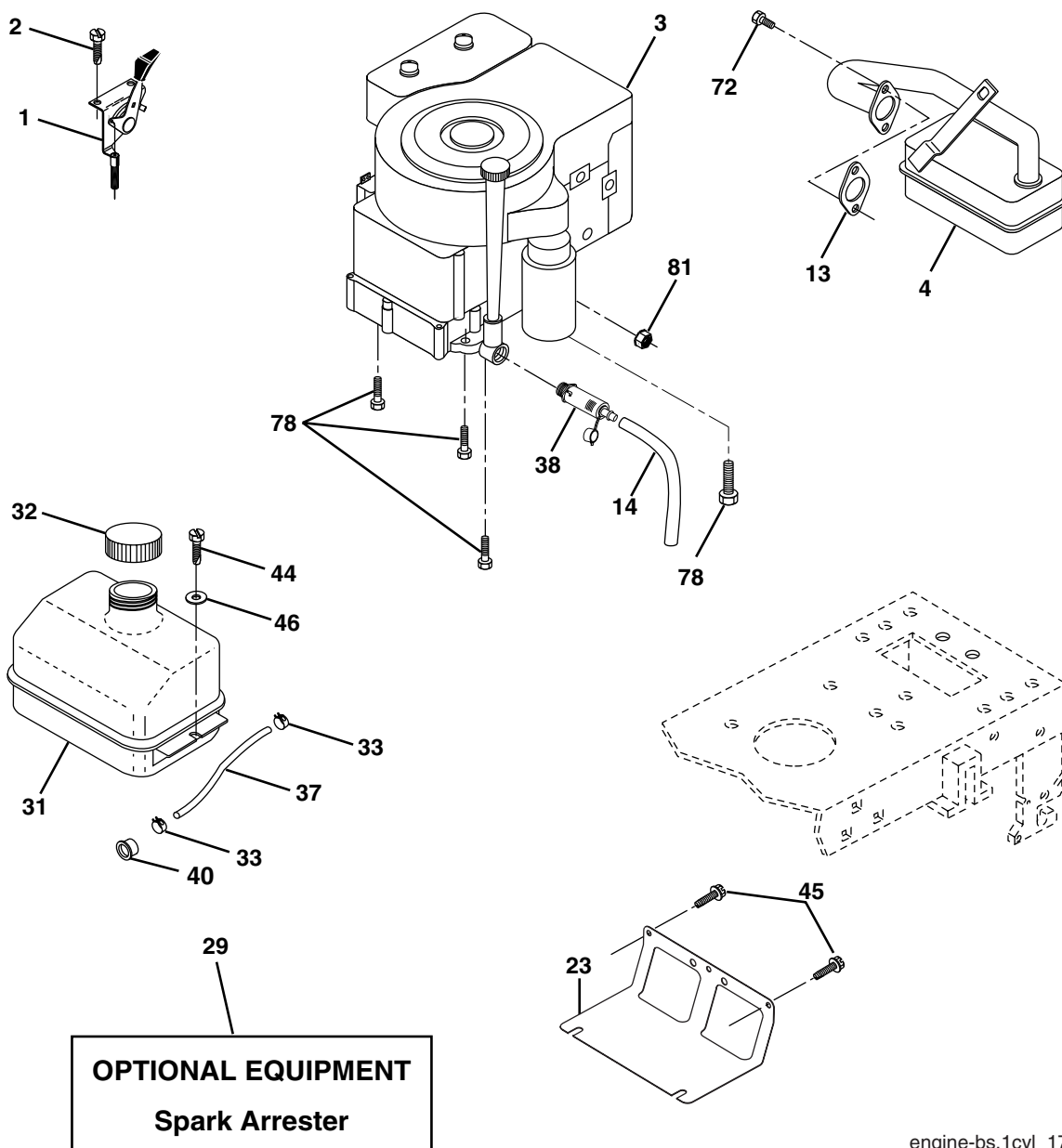
| KEY NO. | PART NO. | DESCRIPTION |
|---------|------------|-----------------------------------|
| 1 | 186780 | Wheel Steering Auto Black |
| 2 | 175131 | Axle Asm Front |
| 3 | 169840 | Spindle Asm Lh |
| 4 | 169839 | Spindle Asm Rh |
| 5 | 6266H | Bearing Race Thrust Harden |
| 6 | 121748X | Washer 25/32 x 1 5/8 x 16 Ga. |
| 7 | 19272016 | Washer 27/32 x 1 1/4 x 16 Ga. |
| 8 | 12000029 | Ring Klip #t5304-75 |
| 9 | 3366R | Bearing Col Strg Blk |
| 10 | 175121 | Link Drag Extended |
| 11 | 10040600 | Lockwasher |
| 13 | 136518 | Spacer Bearing Axle Front |
| 15 | 145212 | Hex Flange Lock |
| 17 | 190753 | Shaft Asm Strg |
| 26 | 126847X | Bushing Rod Tie Blk Lt |
| 28 | 19131416 | Washer 13/32 x 7/8 x 16 Ga. |
| 29 | 17000612 | Screw 3/8-16 x 3/4 |
| 30 | 76020412 | Pin |
| 32 | 192757 | Rod Tie Wire Form 19 75 Mech |
| 34 | 10040500 | Washer Lock Hvy 5/16 |
| 36 | 155099 | Bushing Strg 5/8 Id Dash |
| 37 | 152927 | Screw TT #10-32 x 5 x 3/8 Flange |
| 38 | 192916 | Insert Cap Strg |
| 39 | 19113812 | Washer 11/32 ID x 2-3/8 OD 12 Gr. |
| 40 | 73540600 | Nut Crownlock |
| 41 | 186737 | Adaptor Wheel Strg .760 |
| 42 | 145054X428 | Boot Dash Steering |
| 43 | 121749X | Washer 25/32 x 1 1/4 x 16 Ga. |
| 44 | 190752 | Extension Steering |
| 46 | 121232X | Cap Spindle Fr Top Blk |
| 47 | 183226 | Fitting Grease |
| 65 | 160367 | Spacer Brace Axle |
| 67 | 72110618 | Bolt Rdhd Sq 3/8-16 unc x 2-1/4 |
| 68 | 169827 | Brace Axle |
| 71 | 175146 | Steering Asm |
| 82 | 169835 | Bracket Susp Chassis Front |
| 88 | 175118 | Bolt Shoulder 7/16-20 |
| 91 | 175553 | Clip Steering |
| 95 | 188967 | Washer Hardened |
| 97 | 74780564 | Bolt 5/16-18 unc x 4" L Gr. 5 |

NOTE: All component dimensions given in U.S. inches
1 inch = 25.4 mm

REPAIR PARTS

TRACTOR -- MODEL NUMBER PD17542LT (96012001100)

ENGINE



engine-bs.1cyl_17

| KEY NO. | PART NO. | DESCRIPTION |
|---------|----------|--|
| 1 | 170551 | Control Throttle /Choke Flag |
| 2 | 17720408 | Screw Hex Thd Cut 1/4-20 x 1/2 |
| 3 | ----- | Engine Briggs Model 31C707 (Order Parts From Engine Manufacturer) |
| 4 | 137352 | Muffler Exhaust B&S Lt |
| 13 | 165291 | Gasket 1 313 Id Tin Plated |
| 14 | 148456 | Tube Drain Oil Easy |
| 23 | 169837 | Shield Browning/Debris Guard |
| 29 | 137180 | Arrestor Spark |
| 31 | 187750 | Tank Fuel 1 25 Fr |
| 32 | 140527 | Cap Asm Fuel W/sym Vented |
| 33 | 123487X | Clamp Hose Blk |

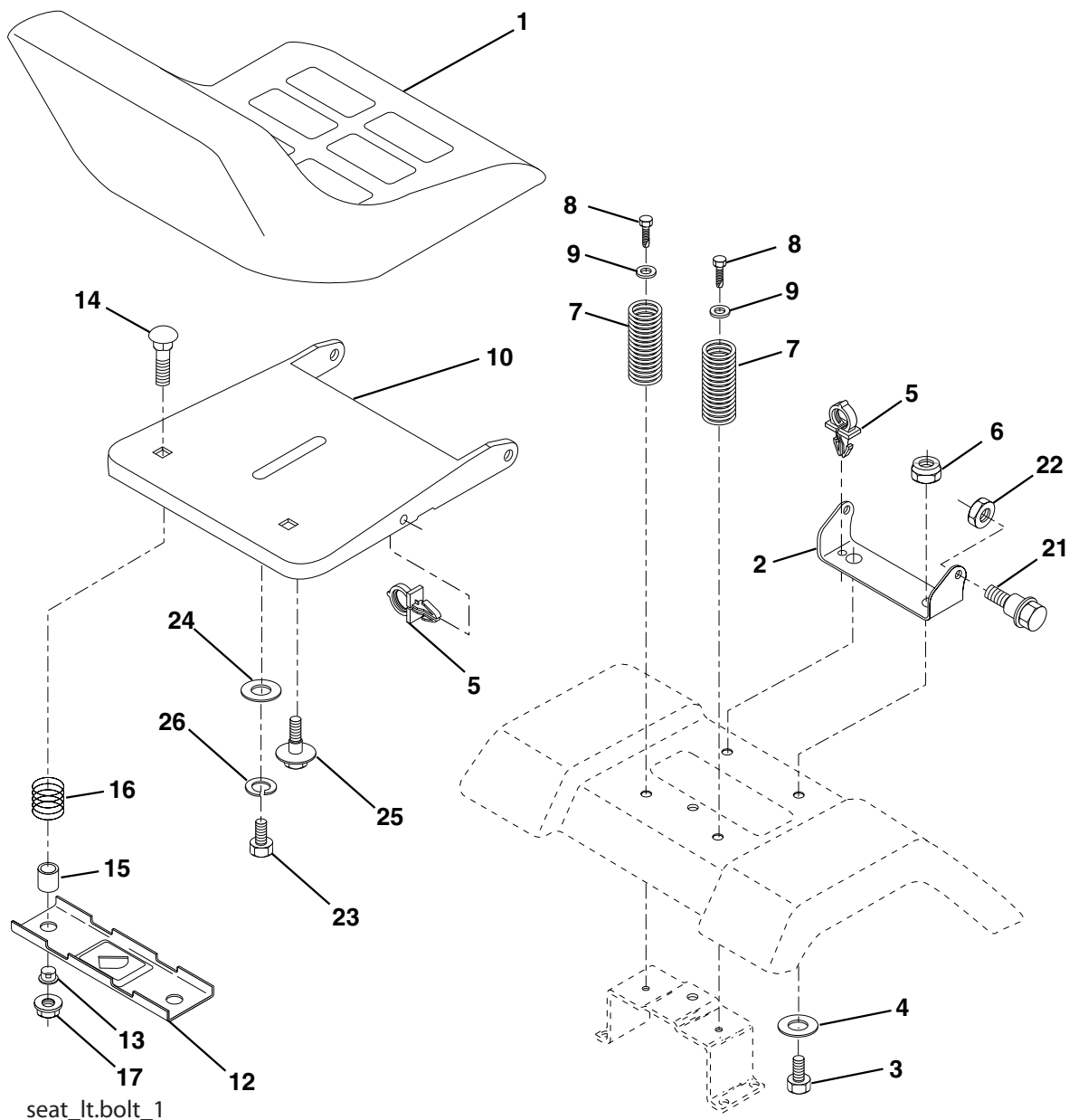
| KEY NO. | PART NO. | DESCRIPTION |
|---------|----------|----------------------------------|
| 37 | 137040 | Line Fuel 20" |
| 38 | 181654 | Plug Drain Oil Easy |
| 40 | 124028X | Bushing Snap Nyl Blk Fuel Line |
| 44 | 17670412 | Screw Hexwsh Thdrol 1/4-20 x 3/4 |
| 45 | 17000612 | Screw Hex Wsh Thdrol 3/8-16 |
| 46 | 19091416 | Washer 9/32 X 7/8 X 16 Ga. |
| 72 | 183906 | Screw Socket Head 5/16-18 x 1 |
| 78 | 17060620 | Screw Thdrol 3/8-16 x 1-1/4 |
| 81 | 73510400 | Nut Keps Hex 1/4-20 unc |

NOTE: All component dimensions given in U.S. inches
1 inch = 25.4 mm

REPAIR PARTS

TRACTOR -- MODEL NUMBER PD17542LT (96012001100)

SEAT ASSEMBLY



seat_lt.bolt_1

| KEY NO. | PART NO. | DESCRIPTION |
|---------|----------|--------------------------------|
| 1 | 175389 | Seat |
| 2 | 140551 | Bracket Pnt Pivot Seat (blk) |
| 3 | 188978 | Bolt |
| 4 | 189116 | Washer 13/32 x 1 x 10 Ga. |
| 5 | 184774 | Clip Push-In Hinged |
| 6 | 73800600 | Nut |
| 7 | 124181X | Spring Seat Cprsn 2 250 Blk Zi |
| 8 | 17000616 | Screw 3/8-16 x 1.5 |
| 9 | 19131614 | Washer 13/32 x 1 x 14 Ga. |
| 10 | 182493 | Pan Pnt Seat (blk) |
| 12 | 174648 | Bracket Pnt Mounting Switch |
| 13 | 121248X | Bushing Snap Blk Nyl 50 Id |

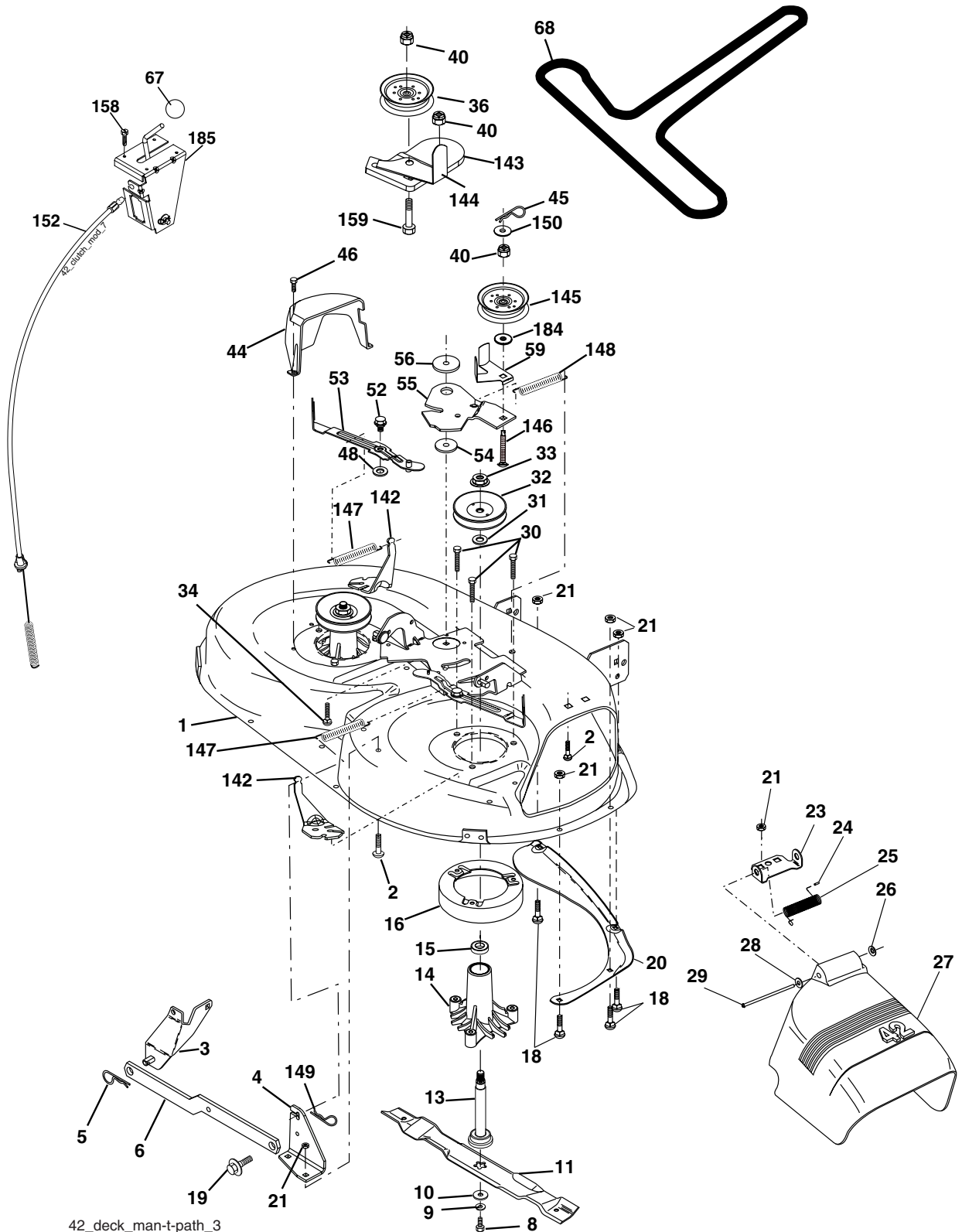
| KEY NO. | PART NO. | DESCRIPTION |
|---------|----------|-----------------------------------|
| 14 | 72050412 | Bolt Rdhd Sht Nk 1/4-20 x 1-1/2 |
| 15 | 134300 | Spacer Split 28 x 96 Yel Zinc |
| 16 | 121250X | Spring Cprsn 1 27 Blk Pnt |
| 17 | 123976X | Nut Lock 1/4 Lge Flg Gr. 5 Zinc |
| 21 | 171852 | Bolt Shoulder 5/16-18 unc Blkz-2A |
| 22 | 73800500 | Nut |
| 23 | 71110814 | Bolt Hex Black |
| 24 | 19171912 | Washer 17/32 x 1-3/16 x 12 Ga. |
| 25 | 127018X | Bolt Shoulder 5/16-18 x 62 |
| 26 | 10040800 | Lockwasher |

NOTE: All component dimensions given in U.S. inches
1 inch = 25.4 mm

REPAIR PARTS

TRACTOR -- MODEL NUMBER PD17542LT (96012001100)

MOWER DECK



REPAIR PARTS

TRACTOR - - MODEL NUMBER PD17542LT (96012001100)

MOWER DECK

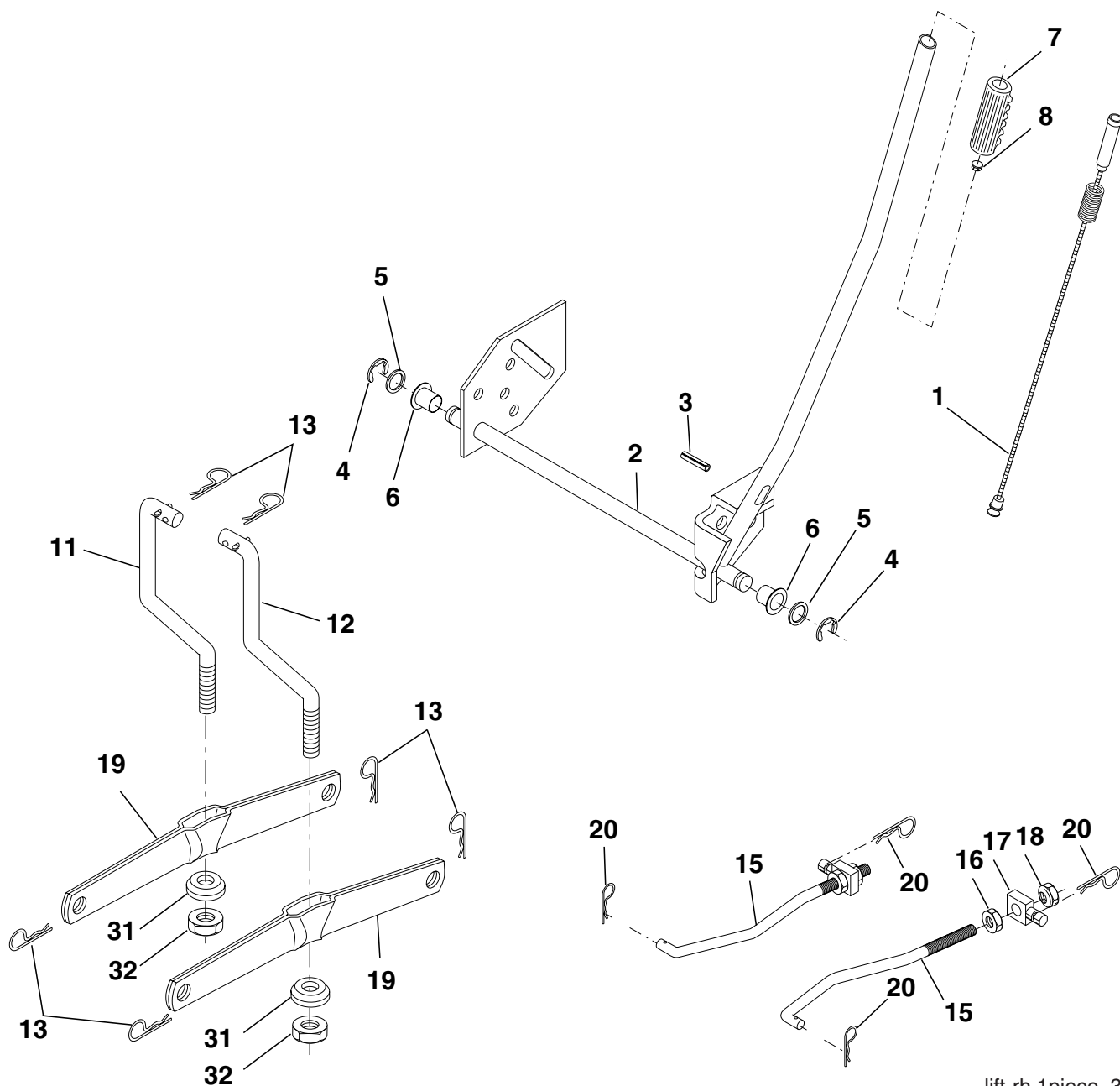
| KEY NO. | PART NO. | DESCRIPTION | KEY NO. | PART NO. | DESCRIPTION |
|---------|------------|--------------------------------------|---------|----------|--|
| 1 | 165892 | Mower Deck Assembly, 42" | 36 | 131494 | Pulley, Idler, Flat |
| 2 | 72140506 | Bolt | 37 | 19131316 | Washer 13/32 x 13/16 x 16 Ga. |
| 3 | 138017 | Bracket Asm Fr. Sway Bar 3/42 | 40 | 73900600 | Nut |
| 4 | 165460 | Bracket Asm Deck 42" Sway Bar | 44 | 140088 | Guard, Mandrel, LH |
| 5 | 4939M | Retainer Spring | 45 | 4497H | Retainer |
| 6 | 178024 | Bar Sway Deck | 46 | 137729 | Screw, Thdrol 1/4-20 x 5/8 T |
| 8 | 850857 | Bolt 3/8-24 x 25 Gr. 8 patched | 48 | 133944 | Washer, Hardened |
| 9 | 10030600 | Washer, Lock | 52 | 139888 | Bolt, Shoulder 5/16-18 unc |
| 10 | 140296 | Washer, Hardened | 53 | 184907 | Arm Assembly, Pad, Brake |
| | | (The following blades are available) | 54 | 178515 | Washer, Hardened |
| 11 | 134149 | Blade, 42" Mulching Std | 55 | 155046 | Arm, Idler |
| | | (For mulching mowers only) | 56 | 165723 | Spacer, Retainer |
| -- | 139775 | Blade, 42" Mulching Premium | 59 | 141043 | Guard TUV Idler |
| | | (For better wear when mulching) | 67 | 106932X | Knob |
| -- | 138971 | Blade, 42" Hi-Lift | 68 | 144959 | V-Belt, 42" Mower |
| | | (For bagging or discharging) | 142 | 165890 | Arm Spring Brake Mower |
| 13 | 137645 | Shaft Assembly, Mandrel, Vented | 143 | 157109 | Bracket Arm Idler 42" |
| 14 | 128774 | Housing, Mandrel, Vented | 144 | 158634 | Keeper Belt 42" Clutch Cable |
| 15 | 110485X | Bearing, Ball, Mandrel | 145 | 165888 | Pulley Idler Flat |
| 16 | 174493 | Stripper, Mandrel Deck | 146 | 171977 | Bolt Carriage Idler |
| 18 | 72140505 | Bolt, Carriage 5/16-18 x 5/8 | 147 | 131335 | Spring Extension |
| 19 | 132827 | Bolt, Shoulder | 148 | 169022 | Spring Return Idler |
| 20 | 159770 | Baffle, Vortex | 149 | 165898 | Retainer Spring Yellow |
| 21 | 73680500 | Nut | 150 | 19091210 | Washer 9/32 x 3/4 x 10 Ga. |
| 23 | 177563 | Bracket, Deflector Mower 42" | 152 | 169676 | Clutch Cable 42" |
| 24 | 105304X | Cap, Sleeve 80 x 112 Blk Mower | 158 | 17720408 | Screw Hex Thd Cut 1/4-20 x 1/2 |
| 25 | 123713X | Spring, Torsion, Deflector 2 52 | 159 | 72140614 | Bolt Rdhd Sqd 3/8-16 unc x 1-3/4 |
| 26 | 110452X | Nut, Push Phos & Oil | 184 | 19131410 | Washer 13/32 x 7/8 x 10 Ga. |
| 27 | 130968X428 | Shield, Deflector 42" Blk | 185 | 188234 | Head Asm Cable Clutch |
| 28 | 19111016 | Washer 11/32 x 5/8 x 16 Ga. | -- | 130794 | Mandrel Assembly (Includes Housing, Shaft and Shaft Hardware Only-Pulley Not Included) |
| 29 | 131491 | Rod, Hinge 42" 6 75 W/G | | | Replacement Mower, Complete |
| 30 | 173984 | Screw Thdrol Washer Head | -- | 171639 | |
| 31 | 187690 | Washer, Spacer Mower Vented | | | |
| 32 | 153535 | Pulley, Mandrel | | | |
| 33 | 178342 | Nut, Toplock 9/16 Flange | | | |
| 34 | 72110612 | Bolt | | | |

NOTE: All component dimensions given in U.S. inches
1 inch = 25.4 mm

REPAIR PARTS

TRACTOR -- MODEL NUMBER PD17542LT (96012001100)

MOWER LIFT



lift-rh.1piece_3

| KEY NO. | PART NO. | DESCRIPTION |
|---------|----------|-------------------------------|
| 1 | 159461 | Wire Asm Inner/Sprg w/Plunger |
| 2 | 159476 | Shaft Asm Lift |
| 3 | 178981 | Pin Groove |
| 4 | 12000002 | E Ring #5133-62 |
| 5 | 19211621 | Washer 21/32 x 1 x 21 Ga. |
| 6 | 120183X | Bearing Nylon |
| 7 | 109413X | Grip Handle |
| 8 | 124526X | Button Plunger |
| 11 | 139865 | Link Lift Lh |
| 12 | 139866 | Link Lift Rh |
| 13 | 4939M | Retainer Spring |

| KEY NO. | PART NO. | DESCRIPTION |
|---------|----------|---------------------------|
| 15 | 173288 | Link Front |
| 16 | 73350800 | Nut Jam Hex 1/2-13 unc |
| 17 | 175689 | Trunnion Blk Zinc |
| 18 | 73800800 | Nut Lock w/Wsh 1/2-13 unc |
| 19 | 139868 | Arm Suspension Rear |
| 20 | 163552 | Retainer Spring |
| 31 | 169865 | Bearing Pvt Lift |
| 32 | 73540600 | Nut Crownlock 3/8-24 |

NOTE: All component dimensions given in U.S. inches
1 inch = 25.4 mm