

ILLUSTRATED PARTS LIST

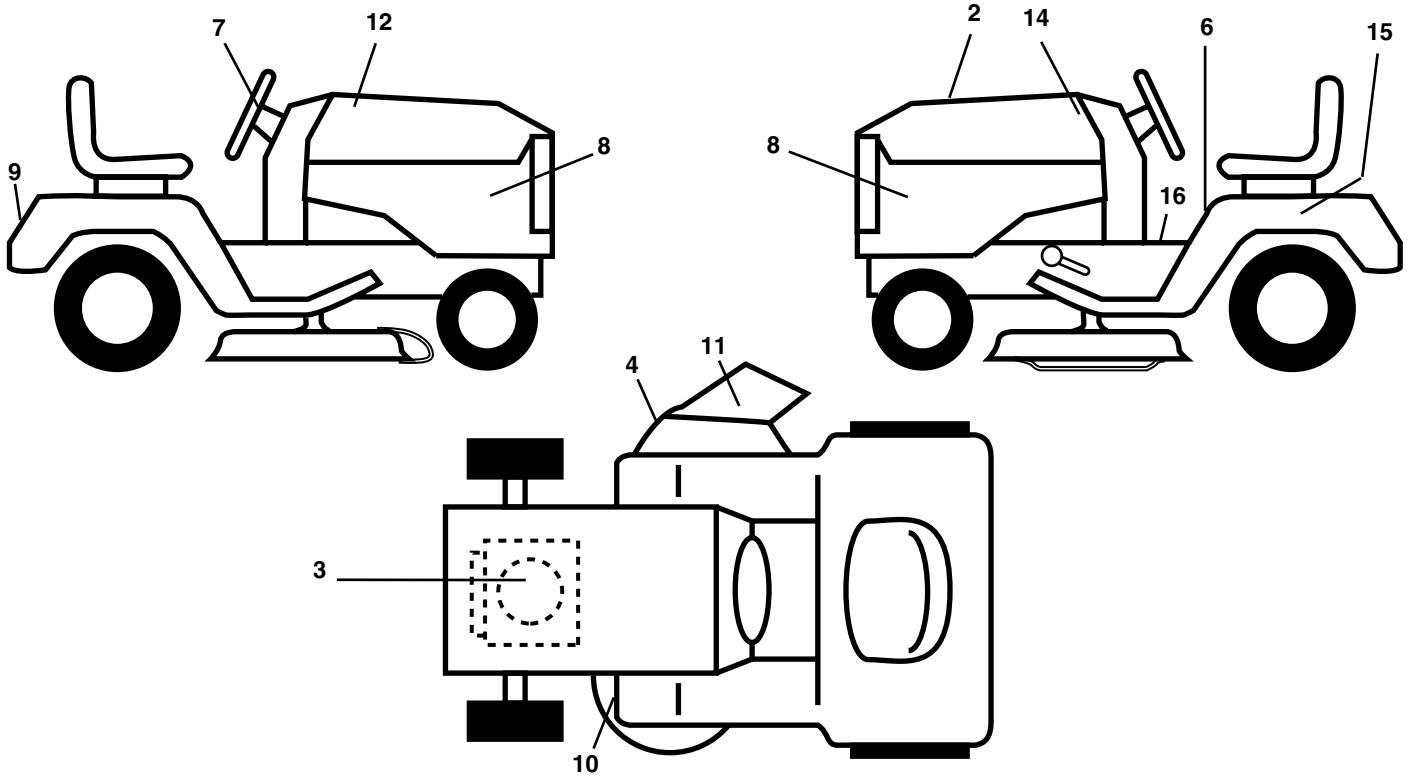
MFG ID NO. 96017000400

CUSTOMER CATALOG NO. PB18H42LT

PRODUCT NO. 960 17 00-04

REPAIR PARTS

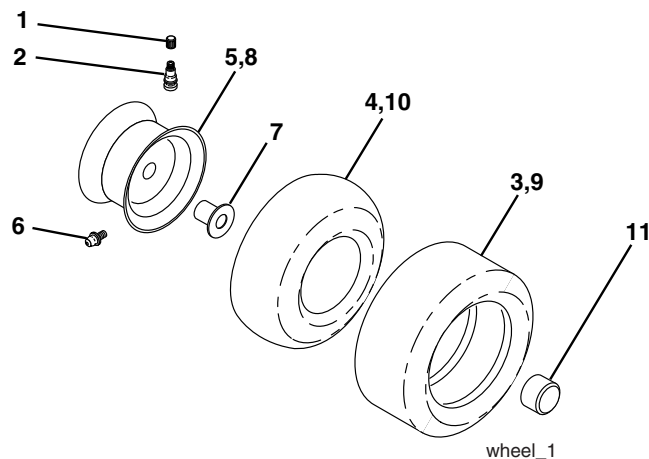
TRACTOR -- MODEL NUMBER PB18H42LT (96017000400), PRODUCT NO. 960 17 00-04
DECALS



| KEY NO. | PART NO. | DESCRIPTION |
|---------|----------|------------------------------|
| 2 | 197068 | Decal, Replacement |
| 3 | 194582 | Decal, Engine HP |
| 4 | 170563 | Decal Warning |
| 6 | 157140 | Decal, Fender Danger English |
| 7 | 189705 | Decal Ins Str Wh |
| 8 | 405330 | Decal, Side Panel |
| 9 | 158166 | Decal, Fender |
| 10 | 160396 | Decal, V-Belt Sch. |

| KEY NO. | PART NO. | DESCRIPTION |
|---------|----------|-------------------------------|
| 12 | 194543 | Decal, Hood RH |
| 14 | 194544 | Decal, Hood LH |
| 15 | 145005 | Decal, Caution, Battery |
| 16 | 193939 | Decal, Oper |
| -- | 166960 | Decal Bypass |
| -- | 138311 | Decal, Handle Lft Height Adj. |
| -- | 405327 | Manual, Operator's (E&F) |
| -- | 405328 | Manual, Parts (E&F) |

WHEELS & TIRES

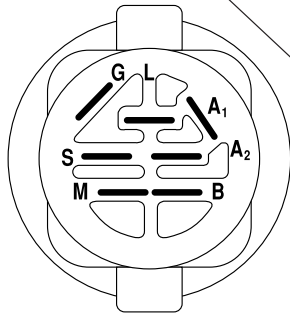
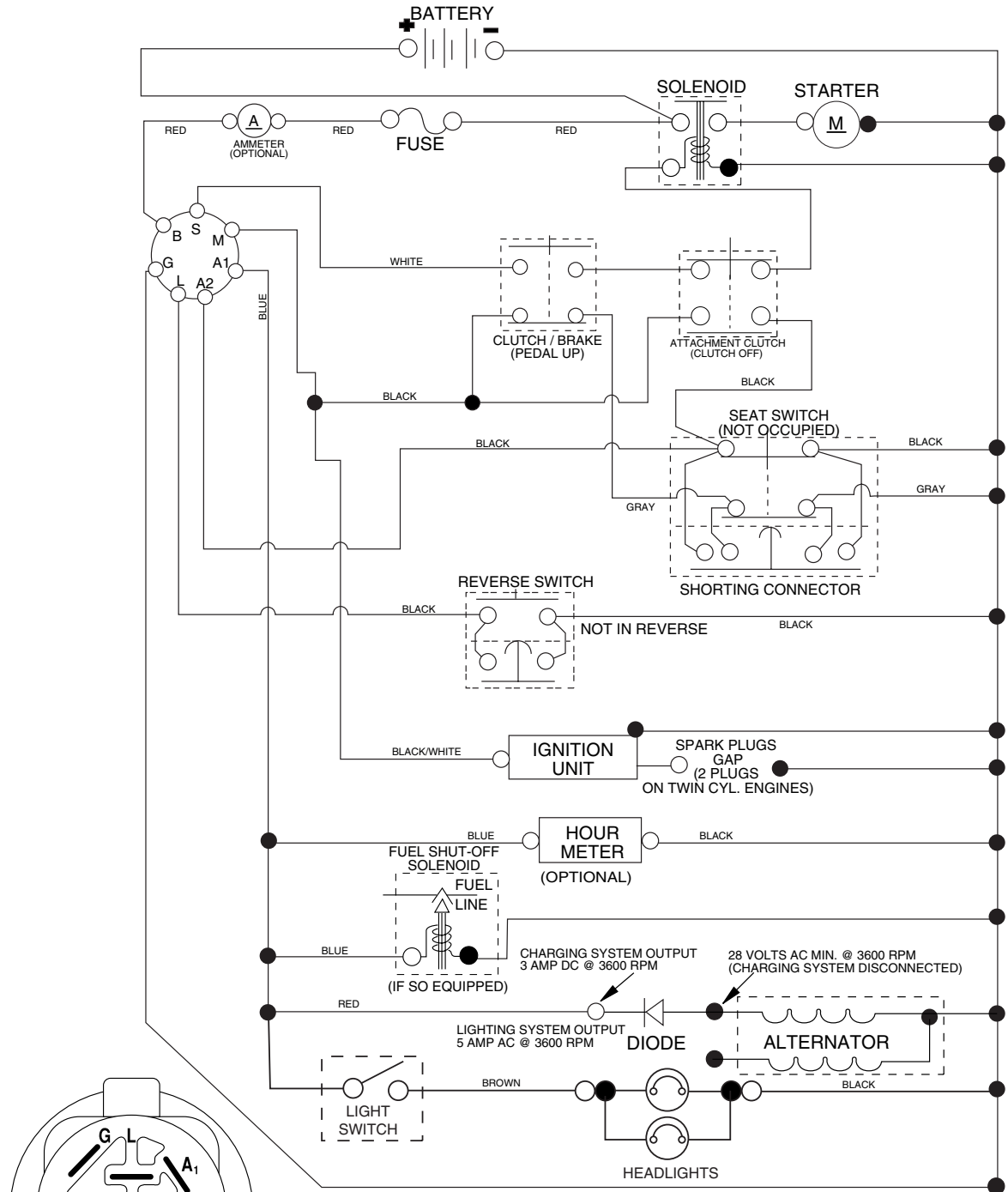


| KEY NO. | PART NO. | DESCRIPTION |
|---------|------------|------------------------------------|
| 1 | 59192 | Cap, Tire valve |
| 2 | 65139 | Stem, Valve |
| 3 | 124157X | Tire, Front |
| 4 | 59904 | Tube, Front (Service item only) |
| 5 | 106732X624 | Rim assembly, 6" front |
| 6 | 278H | Fitting, Grease (Front wheel only) |
| 7 | 9040H | Bearing, Flange (Front wheel only) |
| 8 | 106108X624 | Rim assembly, 8" rear |
| 9 | 123969X | Tire, Rear |
| 10 | 7152J | Tube, Rear (Service item only) |
| 11 | 104757X428 | Cap, Hub Axle |
| -- | 144334 | Sealant, Tire (10 oz. Tube) |

NOTE: All component dimensions given in U. S. inches 1 inch = 25.4 mm.

TRACTOR -- MODEL NUMBER PB18H42LT (96017000400), PRODUCT NO. 960 17 00-04 SCHEMATIC

03059_197428



IGNITION SWITCH

| POSITION | CIRCUIT | "MAKE" |
|--------------|------------|--------|
| OFF | M+G+A1 | |
| RUN/OVERRIDE | B+A1 | |
| RUN | B+A1 | L+A2 |
| START | B + S + A1 | |

03059

NOTE

YOUR TRACTOR IS EQUIPPED WITH A SPECIAL ALTERNATOR SYSTEM. THE LIGHTS ARE NOT CONNECTED TO THE BATTERY, BUT HAVE THEIR OWN ELECTRICAL SOURCE. BECAUSE OF THIS, THE BRIGHTNESS OF THE LIGHTS WILL CHANGE WITH ENGINE SPEED. AT IDLE THE LIGHTS WILL DIM. AS THE ENGINE IS SPEEDED UP, THE LIGHTS WILL BECOME THEIR BRIGHTEST.

●
NON-REMOVABLE CONNECTIONS

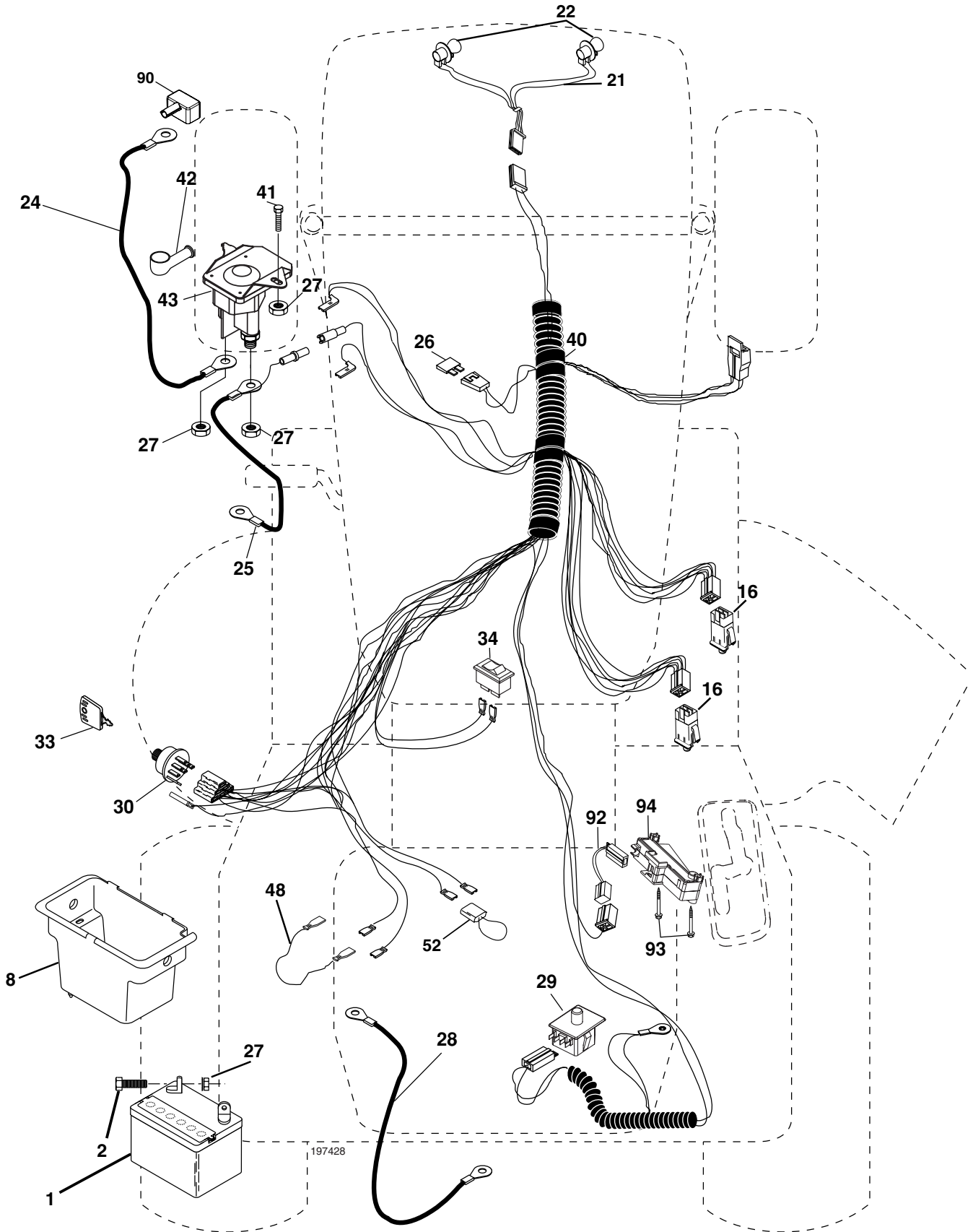
○
REMOVABLE CONNECTIONS

WIRING INSULATED CLIPS

NOTE: IF WIRING INSULATED CLIPS WERE REMOVED FOR SERVICING OF UNIT, THEY SHOULD BE REPLACED TO PROPERLY SECURE YOUR WIRING.

REPAIR PARTS

TRACTOR -- MODEL NUMBER PB18H42LT (96017000400), PRODUCT NO. 960 17 00-04
ELECTRICAL



REPAIR PARTS

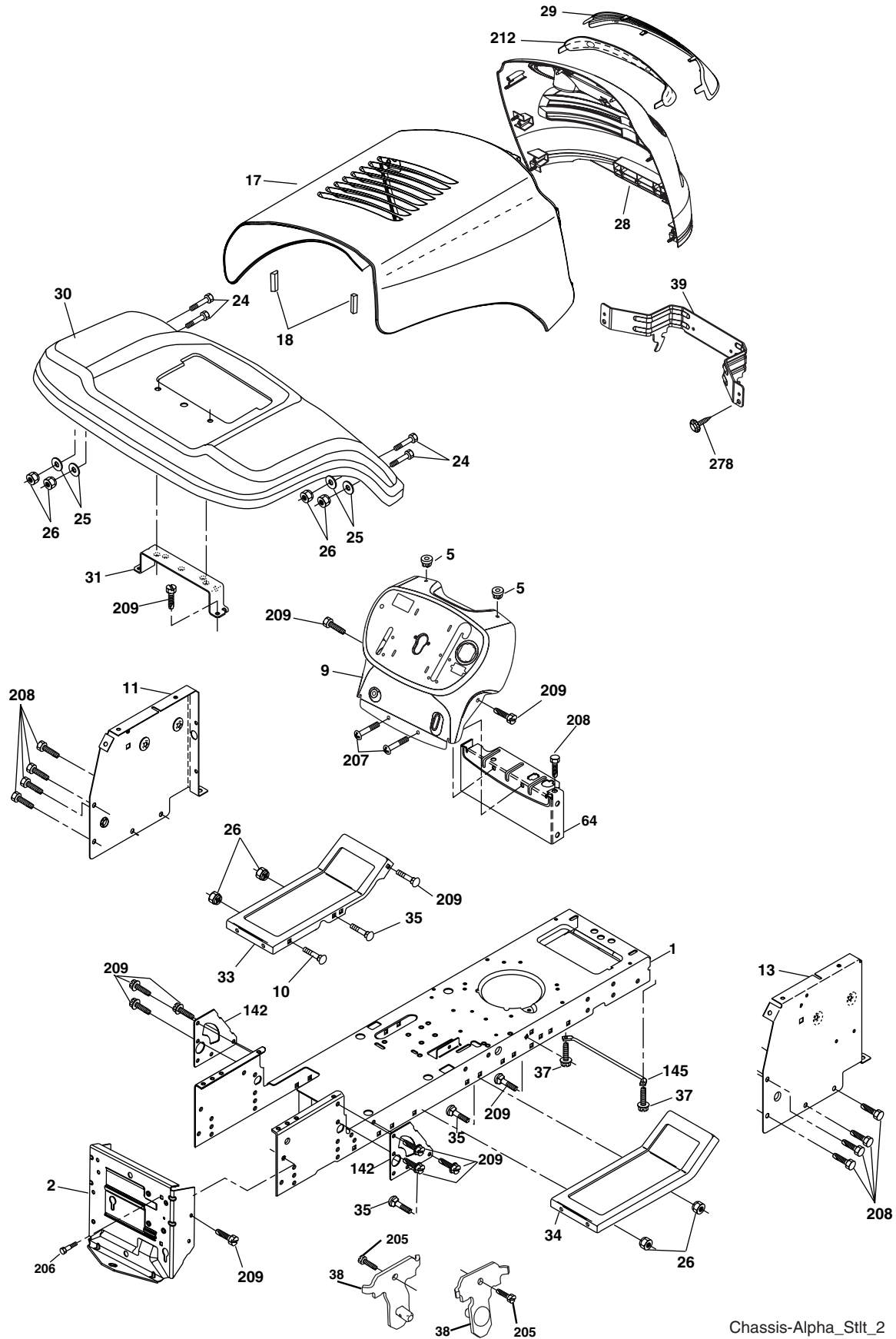
TRACTOR -- MODEL NUMBER PB18H42LT (96017000400), PRODUCT NO. 960 17 00-04
ELECTRICAL

| KEY NO. | PART NO. | DESCRIPTION |
|---------|----------|------------------------------|
| 1 | 163465 | Battery |
| 2 | 74760412 | Bolt Hex Hd 1/4-20 unc x 3/4 |
| 8 | 176689 | Box Battery |
| 16 | 176138 | Switch Interlock |
| 21 | 175688 | Harness Asm Light W/4152j |
| 22 | 4152J | Bulb Light #1156 |
| 24 | 4799J | Cable Battery 6 Ga. 11"red |
| 25 | 146147 | Cable Battery |
| 26 | 175158 | Fuse 20 AMP |
| 27 | 73510400 | Nut Keps Hex 1/4-20 unc |
| 28 | 4207J | Cable Ground 6 Ga. 12" Black |
| 29 | 192749 | Switch Seat |
| 30 | 193350 | Switch Ign |
| 33 | 140401 | Key Ign |
| 34 | 110712X | Switch Light/Reset |
| 40 | 197428 | Harness Ign |
| 41 | 71110408 | Bolt Blk Fin Hex 1/4-20 |
| 42 | 131563 | Cover Terminal Red |
| 43 | 192507 | Solenoid |
| 48 | 140844 | Adapter Ammeter |
| 52 | 141940 | Protection Wire Loop |
| 90 | 180449 | Cover Terminal Battery |
| 92 | 196615 | Harness Pigtail |
| 93 | 192540 | Screw Plastite 10-14 x 2.0 |
| 94 | 191834 | Module Reverse ROS |

NOTE: All component dimensions given in U. S.
inches 1 inch = 25.4 mm.

REPAIR PARTS

TRACTOR -- MODEL NUMBER PB18H42LT (96017000400), PRODUCT NO. 960 17 00-04
CHASSIS



Chassis-Alpha_Stlt_2

REPAIR PARTS

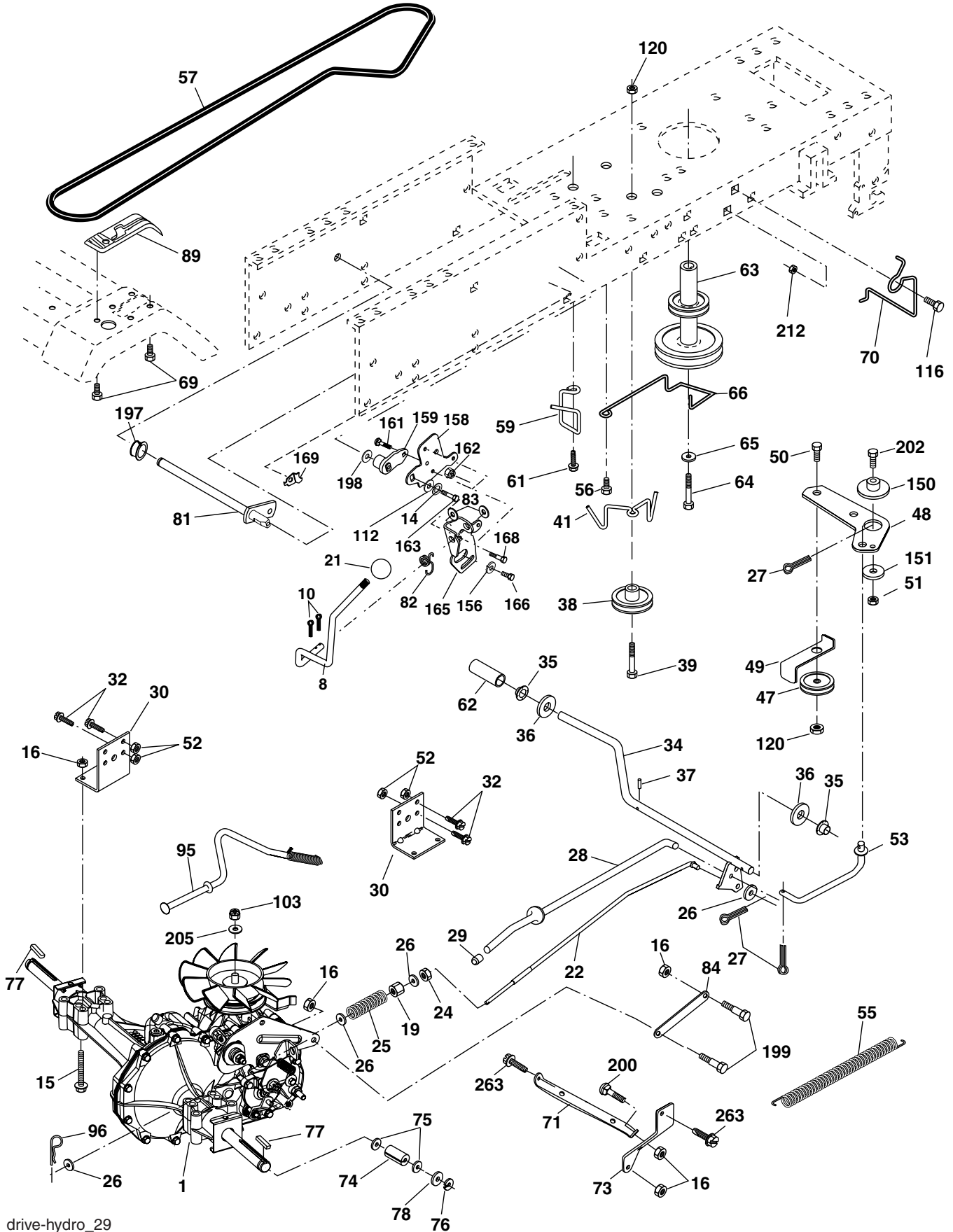
TRACTOR -- MODEL NUMBER PB18H42LT (96017000400), PRODUCT NO. 960 17 00-04
CHASSIS

| KEY NO. | PART NO. | DESCRIPTION |
|---------|------------|--|
| 1 | 174619 | Chassis |
| 2 | 176554 | Drawbar, Stretch |
| 5 | 155272 | Bumper, Hood/Dash |
| 9 | 193510X010 | Dash |
| 10 | 72140608 | Bolt, Carriage 3/8-16 x 1 |
| 11 | 174996 | Panel Dash LH |
| 13 | 172105X010 | Panel Silscr Dash RH |
| 17 | 187559X428 | Hood |
| 18 | 184921 | Bumper Hood |
| 24 | 74780616 | Bolt Fin Hex 3/8-16 unc x 1 Gr. 5 |
| 25 | 19131312 | Washer 13/32 x 13/16 x 12 Ga. |
| 26 | 73800600 | Nut Lock Hex w/Ins 3/8-16 unc |
| 28 | 187598 | Grille/Lens Asm. (Include Key Nos. 29 and 212) |
| 29 | 187567X599 | Lens Grille Bar |
| 30 | 192526X428 | Fender |
| 31 | 136619 | Bracket Fender Repl 109873X |
| 33 | 179716X428 | Footrest Pnt LH |
| 34 | 179717X428 | Footrest Pnt RH |
| 35 | 72110606 | Bolt Rdhd Sht Sqnk 3/8-16 x 3/4 |
| 37 | 17490508 | Screw Thdrol 5/16-18 x 1/2 TYT |
| 38 | 175710 | Bracket Asm. Pivot Mower |
| 39 | 187568 | Bracket Pivot |
| 64 | 154798 | Dash Lower |
| 142 | 175702 | Plate Reinforcement |
| 145 | 156524 | Rod Pivot Chassis/Hood |
| 205 | 17490608 | Screw Thdrol 3/8-16 x 1/2 |
| 206 | 170165 | Bolt Shoulder 5/16-18 |
| 207 | 17670508 | Screw 5/16-18 x 1/2 |
| 208 | 17670608 | Screw Thdrol 3/8-16 x 1/2 |
| 209 | 17000612 | Screw Hex Wsh Thdrol 3/8-16 |
| 212 | 187569 | Insert Lens Reflect |
| 278 | 191611 | Screw 10 x 3/4 Single Lead Hex |
| --- | 5479J | Plug Button Blk 359 Dia Choke |
| -- | 187801 | Plug Dome Plastic |

NOTE: All component dimensions given in U. S.
inches 1 inch = 25.4 mm.

REPAIR PARTS

TRACTOR -- MODEL NUMBER PB18H42LT (96017000400), PRODUCT NO. 960 17 00-04
DRIVE



drive-hydro_29

REPAIR PARTS

TRACTOR -- MODEL NUMBER PB18H42LT (96017000400), PRODUCT NO. 960 17 00-04
DRIVE

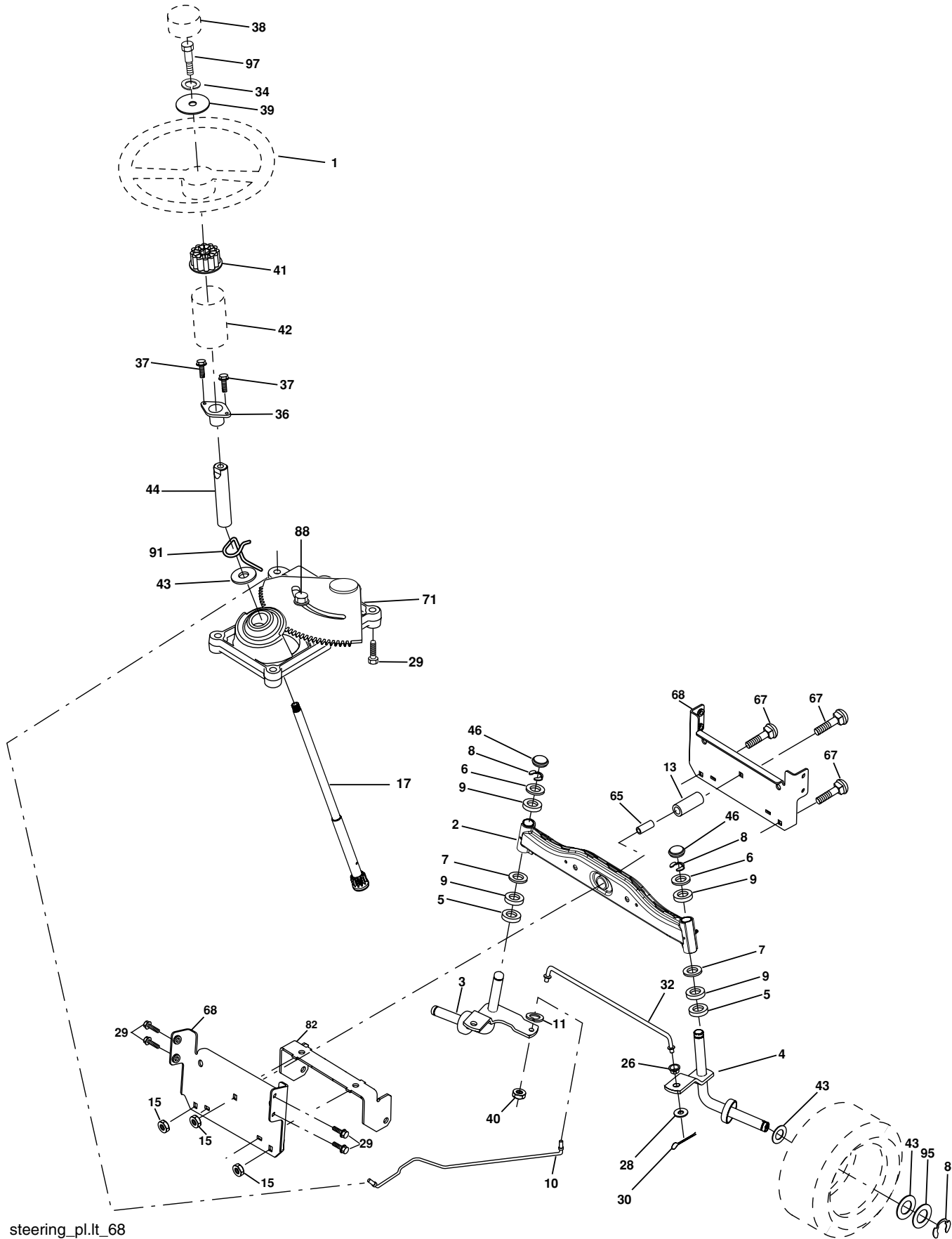
| KEY NO. | PART NO. | DESCRIPTION | KEY NO. | PART NO. | DESCRIPTION |
|---------|----------|--|---------|------------|------------------------------------|
| 1 | ----- | Transaxle Hydro Gear Model 322-0510 (Order parts from transaxle manufacturer) | 69 | 142432 | Screw Hex wsh HiLo 1/4 x 1/2 unc |
| 8 | 192706 | Rod Shift | 70 | 134683 | Guide Belt Mower Drive RH |
| 10 | 76020416 | Pin Cotter 1/8 X 1 | 71 | 169183 | Strap Torque, LH |
| 14 | 10040400 | Washer Lock 1/4 | 73 | 169182 | Strap Torque, RH |
| 15 | 74490544 | Bolt Hex FLGHD 5/16-18 Gr. 5 unc | 74 | 137057 | Spacer Axle |
| 16 | 73800500 | Nut Lock Hex w/ins 5/16-18 unc | 75 | 121749X | Washer 25/32 x 1 1/4 x 16 Ga. |
| 19 | 73800600 | Nut Lock Hex w/wsh 3/8-16 unc | 76 | 12000001 | Ring, E |
| 21 | 140845 | Knob | 77 | 123583X | Key Square |
| 22 | 169498 | Rod Brake | 78 | 121748X | Washer 25/32 x 1-5/8 x 16 Ga. |
| 24 | 73350600 | Nut | 81 | 165596 | Shaft Asm Cross |
| 25 | 106888X | Spring Rod Brake | 82 | 165711 | Spring Torsion |
| 26 | 19131316 | Washer 13/32 x 13/16 x 16 Ga. | 83 | 19171216 | Washer 17/32 x 3/4 x 16 Ga. |
| 27 | 76020412 | Pin Cotter 1/8 x 3/4 | 84 | 169843 | Link Transaxle |
| 28 | 175765 | Rod Brake Parking | 89 | 192056X428 | Console Shift |
| 29 | 71673 | Cap Brake Parking | 95 | 170201 | Control Asm Bypass Hydro |
| 30 | 174973 | Bracket Transmission | 96 | 4497H | Retainer Spring 1" |
| 32 | 74760512 | Bolt Hex Hd 5/16-18 unc x 3/4 | 103 | 73940800 | Nut, Hex Jam Top Lock 1/2-20 unf |
| 34 | 175578 | Shaft Foot Pedal | 112 | 19091210 | Washer 9/32 x 3/4 x 10 Ga. |
| 35 | 120183X | Bearing Nylon | 116 | 72140608 | Bolt 3/8-16 x 1 |
| 36 | 19211616 | Washer | 120 | 73900600 | Bolt Hex 3/8-16 x 1-1/2 |
| 37 | 1572H | Pin Roll | 150 | 175456 | Spacer Retainer |
| 38 | 179114 | Pulley Idler Composite | 151 | 19133210 | Washer 13/32 x 2 x 10 |
| 39 | 72110622 | Bolt | 156 | 166002 | Washer 5/16 x 1.0 x 1.25 |
| 41 | 175556 | Keeper Belt Idler | 158 | 165589 | Bracket Shift Mount |
| 47 | 127783 | Pulley Idler V-Belt | 159 | 183900 | Hub Tapered Flange Shift |
| 48 | 154407 | Bellcrank Clutch Grnd Drustl | 161 | 72140406 | Bolt Rdhd Sqnk 1/4-20 x 3/4 Gr. 5 |
| 49 | 123205X | Retainer Belt | 162 | 73680400 | Nut Crownlock 1/4-20 unc |
| 50 | 72110612 | Bolt Carr. Sh. 3/8-16 x 1-1/2 Gr. 5 | 163 | 74780416 | Bolt Hex Fin 1/4-20 x 1 |
| 51 | 73680600 | Nut | 165 | 165623 | Bracket Pivot Lever |
| 52 | 73680500 | Nut Crownlock 5/16-28 | 166 | 17490510 | Screw 5/16-18 x 1.0 x .125 |
| 53 | 199652 | Link Clutch | 168 | 165492 | Bolt Shoulder 5/16-18 x .561 |
| 55 | 105709X | Spring Return Clutch | 169 | 165580 | Plate Fastening |
| 56 | 17060620 | Screw 3/8-16 x 1-1/4 | 197 | 169613 | Nyliner Snap-In 5/8 |
| 57 | 140294 | V-Belt Drive | 198 | 169593 | Washer Nyliner 7/8 ID x .105 HYD |
| 59 | 169691 | Keeper Belt Center | 199 | 169612 | Bolt Shoulder 5/16-18 unc |
| 61 | 17120614 | Screw 3/8-16 x .875 | 200 | 72140508 | Bolt Rdhd Sqnk 5/16-18 unc x 1 |
| 62 | 8883R | Cover Pedal | 202 | 72110614 | Bolt RdHd 3/8-16 unc x 1-1/2 Gr. 5 |
| 63 | 175410 | Engine Pulley | 205 | 19171616 | Washer 17/32 x 1 x 16 Ga. |
| 64 | 173937 | Bolt Hex 7/16-20 x 4 x Gr. 5-1.5 THr. | 212 | 145212 | Nut Hex flange Lock |
| 65 | 10040700 | Washer | 263 | 17000612 | Screw 3/8-16 x .75 |
| 66 | 154778 | Keeper Belt Engine Hydro | | | |

NOTE: All component dimensions given in U. S. inches 1 inch = 25.4 mm.

REPAIR PARTS

TRACTOR -- MODEL NUMBER PB18H42LT (96017000400), PRODUCT NO. 960 17 00-04

STEERING



steering_pl.lt_68

REPAIR PARTS

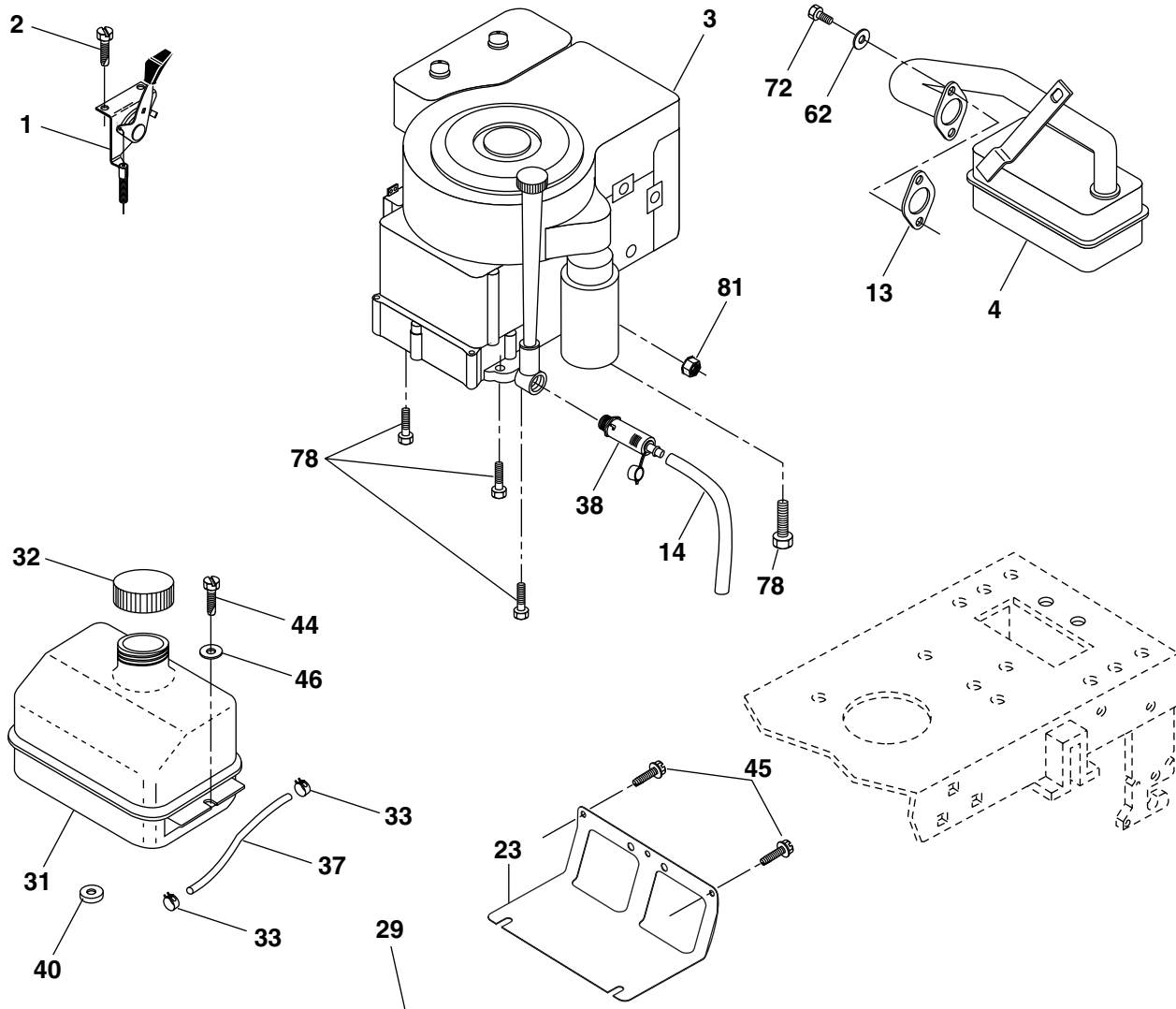
TRACTOR -- MODEL NUMBER PB18H42LT (96017000400), PRODUCT NO. 960 17 00-04
STEERING

| KEY NO. | PART NO. | DESCRIPTION |
|---------|------------|----------------------------------|
| 1 | 186780 | Wheel Steering |
| 2 | 195673 | Axle Asm |
| 3 | 169840 | Spindle Asm LH |
| 4 | 169839 | Spindle Asm RH |
| 5 | 6266H | Bearing Race Thrust Harden |
| 6 | 121748X | Washer 25/32 x 1-5/8 x 16 Ga. |
| 7 | 19272016 | Washer 27/32 x 1-1/4 x 16 Ga. |
| 8 | 12000029 | Ring Klip #t5304-75 |
| 9 | 3366R | Bearing Col Strg Blk |
| 10 | 175121 | Link Drag |
| 11 | 10040600 | Washer Lock Hvy Hlcl Spr 3/8 |
| 13 | 136518 | Spacer earing Axle Front |
| 15 | 145212 | Hexflange Lock |
| 17 | 190753 | Shaft Asm Strg |
| 26 | 126847X | Bushing Link Drag Blk LR |
| 28 | 19131416 | Washer 13/32 x 7/8 x 16 Ga. |
| 29 | 17000612 | Screw 3/8-16 x 3/4 |
| 30 | 76020412 | Pin Cotter 1/8 x 3/4 Cad |
| 32 | 192757 | Rod Tie Wire Form 19 75 Mech |
| 34 | 10040500 | Washer Lock 5/16 |
| 36 | 155099 | Bushing Strg 5/8 Id Dash |
| 37 | 152927 | Screw |
| 38 | 192916 | Cap Wheel Steer |
| 39 | 19113812 | Washer 11/32 x 2 x 12 Ga. |
| 40 | 73540600 | Nut Crownlock 3/8-24 |
| 41 | 186737 | Adaptor Wheel Strg |
| 42 | 145054X428 | Boot Dash Mtl Steering Blk |
| 43 | 121749X | Washer 25/32 x 1 1/4 x 16 Ga. |
| 44 | 190752 | Extension Steering |
| 46 | 121232X | Cap Spindle Fr Top Blk |
| 65 | 160367 | Spacer Brace Axle |
| 67 | 72110618 | Bolt RDHD SQNK 3/8-16 x 2-1/4 |
| 68 | 169827 | Brace Axle |
| 71 | 175146 | Steering Asm. |
| 82 | 199978 | Bracket Susp Chassis Front |
| 88 | 175118 | Bolt Shoulder 7/16-20 |
| 91 | 175553 | Clip Steering |
| 95 | 188967 | Washer Harden .793 x 1.637 x 060 |
| 97 | 74780564 | Bolt 5/16-18 x 4 Gr.5 |

NOTE: All component dimensions given in U. S.
inches 1 inch = 25.4 mm.

REPAIR PARTS

TRACTOR -- MODEL NUMBER PB18H42LT (96017000400), PRODUCT NO. 960 17 00-04
ENGINE



OPTIONAL EQUIPMENT
Spark Arrester

engine-bs.1cyl_49

| KEY NO. | PART NO. | DESCRIPTION |
|---------|----------|--|
| 1 | 170551 | Control Th/ch Flag |
| 2 | 17720408 | Screw Hex Thd Cut 1/4-20 x 1/2 |
| 3 | ----- | Engine, B&S 31D707 (Order parts from engine manufacturer) |
| 4 | 137352 | Muffler Exhaust B&S |
| 13 | 165291 | Gasket Eng 1 313 Id Tin Plated |
| 14 | 148456 | Tube Drain Oil Easy |
| 23 | 169837 | Shield BRN/DBR Guard |
| 29 | 137180 | Kit Spark Arrester (Flat Scrn) |
| 31 | 187750 | Tank Fuel Front |
| 32 | 197725 | Cap Asm Fuel |
| 33 | 123487X | Clamp Hose |
| 37 | 401137 | Line Fuel 20" |
| 38 | 181654 | Plug Drain Oil |
| 40 | 124028X | Bushing Snap Nyl Blk Fuel Line |

| KEY NO. | PART NO. | DESCRIPTION |
|---------|----------|---------------------------------|
| 44 | 17670412 | Screw Thdrol 1/4-20 x 3/4 |
| 45 | 17000612 | Screw Hex Wsh Thdrol 3/8-16 |
| 46 | 19091416 | Washer 9/32 x 7/8 x 16 Ga. |
| 62 | 10010500 | Washer Split |
| 72 | 192334 | Screw Socket Head 5/16-18 x 3/4 |
| 78 | 17060620 | Screw 3/8-16 x 1-1/4 |
| 81 | 73510400 | Nut Keps Hex 1/4-20 unc |

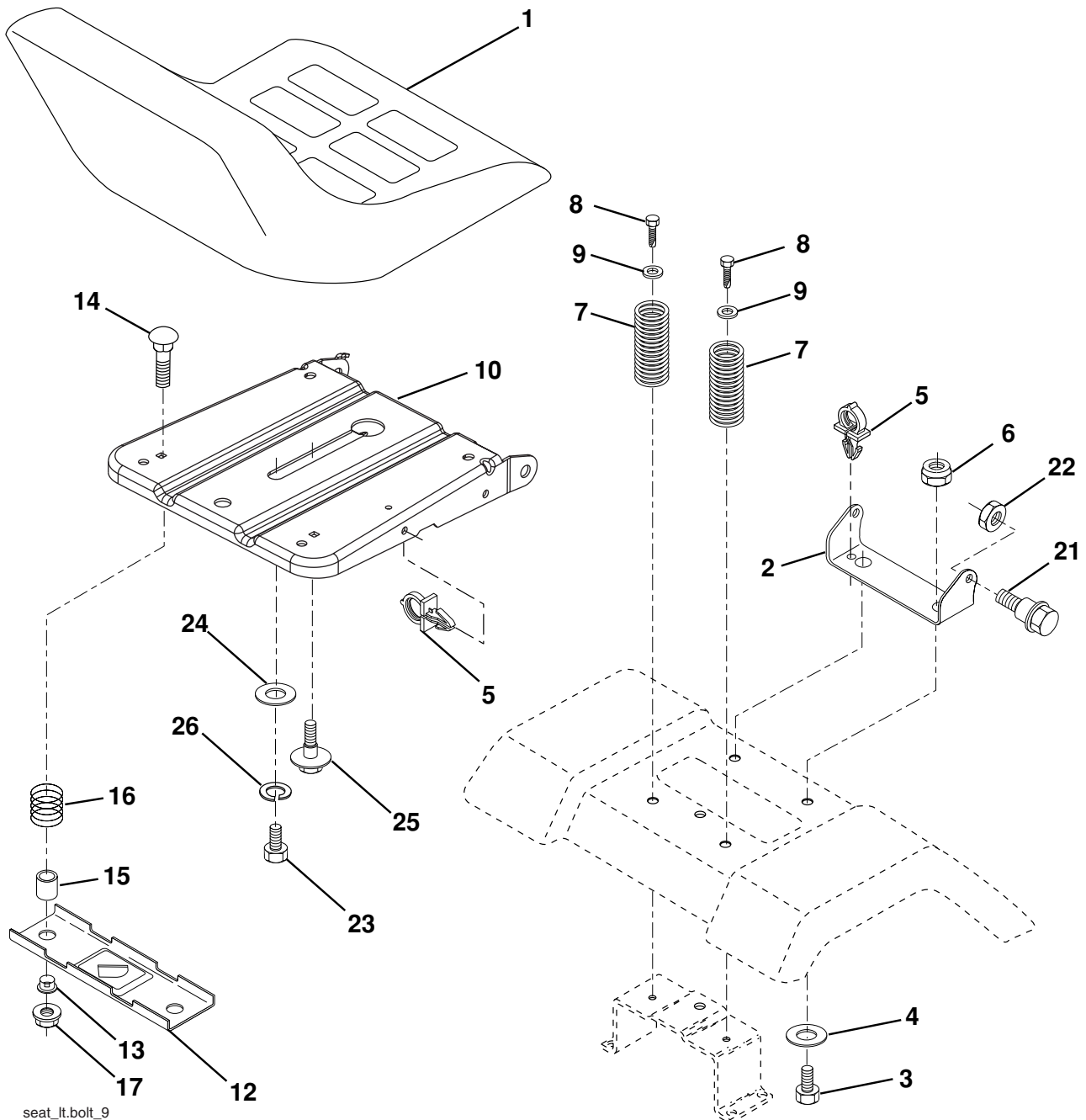
NOTE: All component dimensions given in U.S. inches
1 inch = 25.4 mm

For engine service and replacement parts, call the toll free number for your engine manufacturer listed below:

| | |
|-------------------|----------------|
| Briggs & Stratton | 1-800-233-3723 |
| Kohler Co. | 1-800-544-2444 |
| Tecumseh Products | 1-800-558-5402 |
| Honda Engines | 1-800-426-7701 |
| Kawasaki | 1-949-460-5688 |

REPAIR PARTS

TRACTOR -- MODEL NUMBER PB18H42LT (96017000400), PRODUCT NO. 960 17 00-04
SEAT



seat_lt.bolt_9

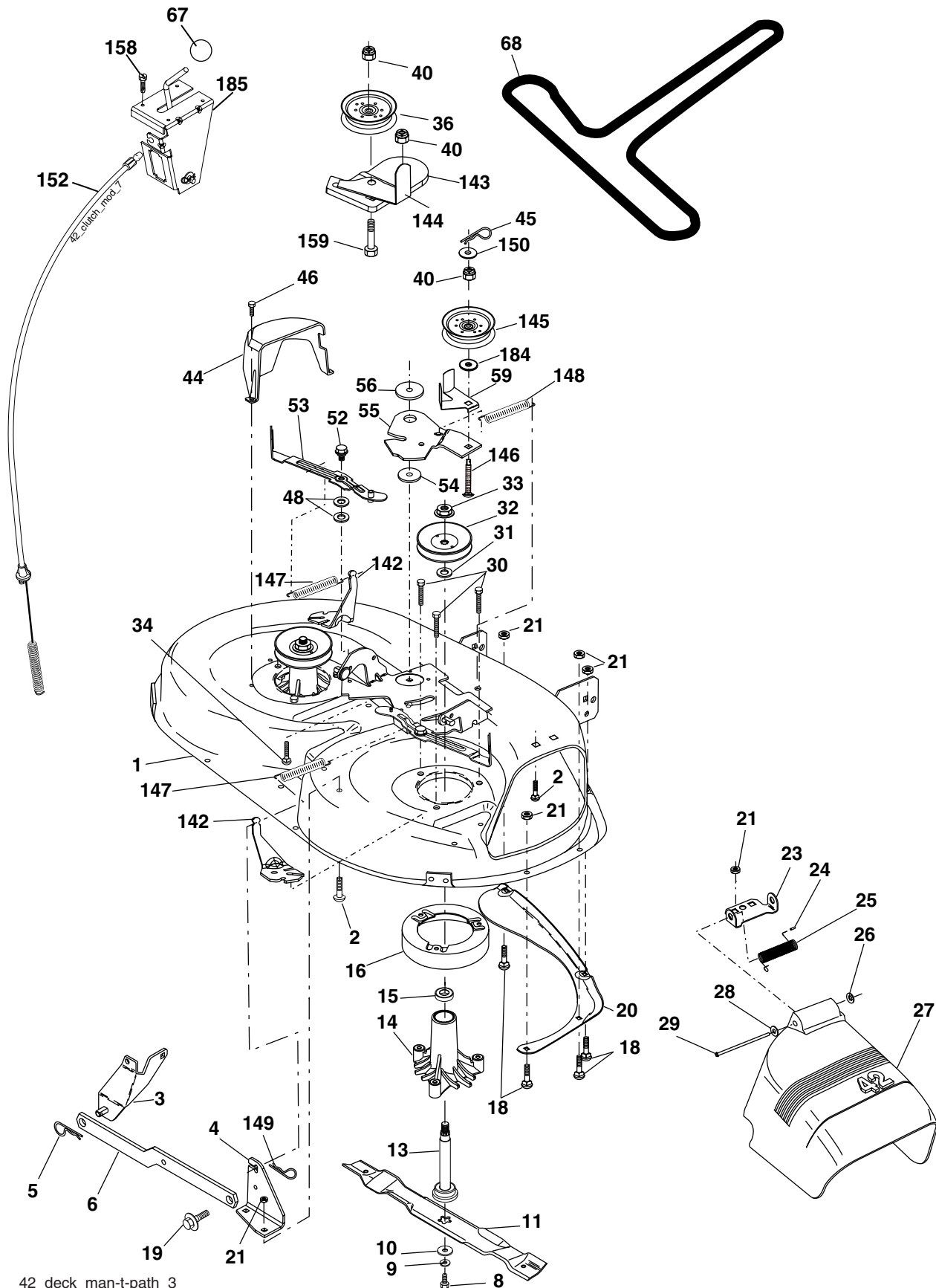
| KEY NO. | PART NO. | DESCRIPTION |
|---------|----------|--------------------------------|
| 1 | 401042 | Seat |
| 2 | 140551 | Bracket Seat Pivot |
| 3 | 71110616 | Bolt Hex 3/8 - 16 x 1 |
| 4 | 19131610 | Washer 13/32 x 1 x 10 Ga. |
| 5 | 145006 | Clip Push-In Hinged |
| 6 | 73800600 | Nut Lock Hex w/Ins 3/8 - 16 |
| 7 | 124181X | Spring Seat Cprsn 2 250 Blk Zi |
| 8 | 17000616 | Screw 3/8-16 x 1.5 |
| 9 | 19131614 | Washer 13/32 x 1 x 14 Ga. |
| 10 | 195530 | Pan Pnt Seat |
| 11 | 166369 | Knob Seat |
| 12 | 174648 | Bracket Pnt Mounting Switch |
| 13 | 121248X | Bushing Snap Blk Nyl |

| KEY NO. | PART NO. | DESCRIPTION |
|---------|----------|------------------------------------|
| 14 | 72050412 | Bolt Rdhd Sht Nk 1/4 - 20 x 1 -1/2 |
| 15 | 134300 | Spacer Split .28 x .96 |
| 16 | 121250X | Spring Cprsn |
| 17 | 123976X | Nut Lock 1/4 Lge Flg |
| 21 | 171852 | Bolt Shoulder 5/16-18 unc-2A |
| 22 | 73800500 | Nut Lock Hex w/Ins 5/16 - 18 |
| 23 | 71110814 | Bolt Hex Black |
| 24 | 19171912 | Washer 17/32 x 1-3/16 x 12 Ga. |
| 25 | 127018X | Bolt Shoulder 5/16-18 x .62 |
| 26 | 10040800 | Washer Lock Hvy HLCL Spr. 1/2 |

NOTE: All component dimensions given in U. S. inches 1 inch = 25.4 mm.

REPAIR PARTS

TRACTOR -- MODEL NUMBER PB18H42LT (96017000400), PRODUCT NO. 960 17 00-04
MOWER DECK



REPAIR PARTS

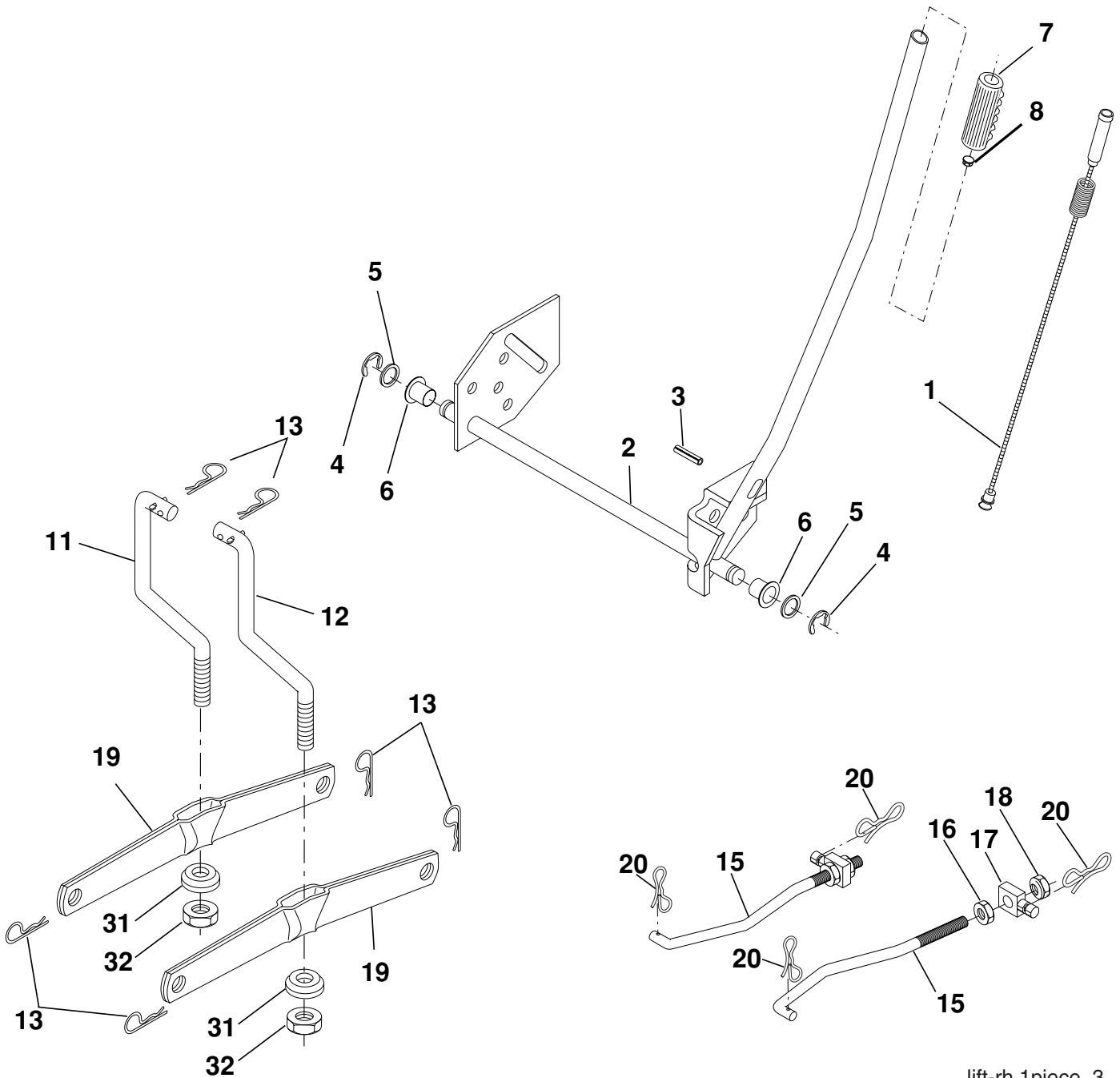
TRACTOR -- MODEL NUMBER PB18H42LT (96017000400), PRODUCT NO. 960 17 00-04
MOWER DECK

| KEY NO. | PART NO. | DESCRIPTION | KEY NO. | PART NO. | DESCRIPTION |
|---------|------------|--|---------|----------|---|
| 1 | 165892 | Mower Deck Assembly, 42" | 36 | 131494 | Pulley, Idler, Flat |
| 2 | 72140506 | Bolt | 40 | 73900600 | Nut Lock 3/8-16 |
| 3 | 138017 | Bracket Asm Fr. Sway Bar 3/42 | 44 | 140088 | Guard, Mandrel, LH |
| 4 | 165460 | Bracket Asm Deck 42" Sway Bar | 45 | 4497H | Retainer |
| 5 | 4939M | Retainer Spring | 46 | 137729 | Screw, Thdrol 1/4-20 x 5/8 T |
| 6 | 178024 | Bar Sway Deck | 48 | 133944 | Washer, Hardened |
| 8 | 850857 | Bolt 3/8-24 x 1.25 Gr. 8 patched | 52 | 139888 | Bolt, Shoulder 5/16-18 unc |
| 9 | 10030600 | Washer, Lock | 53 | 184907 | Arm Assembly, Pad, Brake |
| 10 | 140296 | Washer, Hardened | 54 | 178515 | Washer, Hardened |
| | | (The following Blades are available) | 55 | 155046 | Arm, Idler |
| 11 | 138971 | Blade Mower 42" Hi-Lift (for bagging and discharging) | 56 | 165723 | Spacer, Retainer |
| -- | 134149 | Blade, Mulching 42" Std (for mulching mowers only) | 59 | 141043 | Guard TUV Idler |
| -- | 139775 | Blade Mulching 42" Premium (For better wear when mulching) | 67 | 106932X | Knob Round |
| | | | 68 | 144959 | V-Belt, 42" Mower |
| 13 | 137645 | Shaft Assembly, Mandrel, Vented | 142 | 165890 | Arm Spring Brake Mower |
| 14 | 128774 | Housing, Mandrel, Vented | 143 | 157109 | Bracket Arm Idler 42" |
| 15 | 110485X | Bearing, Ball, Mandrel | 144 | 158634 | Keeper Belt 42" Clutch Cable |
| 16 | 174493 | Stripper, Mandrel Deck | 145 | 165888 | Pulley Idler Flat |
| 18 | 72140505 | Bolt, Carriage 5/16-18 x 5/8 | 146 | 171977 | Bolt Carriage Idler |
| 19 | 132827 | Bolt, Shoulder | 147 | 131335 | Spring Extension |
| 20 | 159770 | Baffle, Vortex | 148 | 169022 | Spring Return Idler |
| 21 | 73680500 | Nut | 149 | 165898 | Retainer Spring Yellow |
| 23 | 177563 | Bracket, Deflector Mower 42" | 150 | 19091210 | Washer 9/32 x 3/4 x 10 Ga. |
| 24 | 105304X | Cap, Sleeve 80 x 112 Blk Mower | 152 | 169676 | Clutch Cable 42" |
| 25 | 123713X | Spring, Torsion, Deflector 2 52 | 158 | 17720408 | Screw Hex Thd Cut 1/4-20 x 1/2 |
| 26 | 110452X | Nut, Push Phos & Oil | 159 | 72140614 | Bolt Rdhd Sqn 3/8-16 unc x 1-3/4 |
| 27 | 130968X428 | Shield, Deflector 42" Blk | 184 | 19131410 | Washer 13/32 x 7/8 x 10 Ga. |
| 28 | 19111016 | Washer 11/32 x 5/8 x 16 Ga. | 185 | 188234 | Head Asm Cable Clutch |
| 29 | 131491 | Rod, Hinge 42" 6 75 W/G | -- | 130794 | Mandrel Assembly (Includes Housing Shaft and Shaft Hardware Only - Pulley Not Included) |
| 30 | 173984 | Screw Thdrol | -- | 171639 | Replacement Mower, Complete |
| 31 | 187690 | Washer, Spacer Mower Vented | | | |
| 32 | 153535 | Pulley, Mandrel | | | |
| 33 | 400234 | Nut, Toplock | | | |
| 34 | 72110612 | Bolt Carr SH 3/8-16 x 1-1/2 Gr.5 | | | |

NOTE: All component dimensions given in U. S. inches 1 inch = 25.4 mm.

REPAIR PARTS

TRACTOR -- MODEL NUMBER PB18H42LT (96017000400), PRODUCT NO. 960 17 00-04
MOWER LIFT



lift-rh.1piece_3

| KEY NO. | PART NO. | DESCRIPTION |
|---------|----------|-------------------------------|
| 1 | 159460 | Wire Asm Inner/Sprg w/plunger |
| 2 | 159471 | Shaft Asm Lift RH |
| 3 | 105767X | Pin Groove 1 500 Zinc |
| 4 | 12000002 | E Ring #5133-62 |
| 5 | 19211621 | Washer 21/32 x 1 x 21 Ga. |
| 6 | 120183X | Bearing Nylon Blk 629 Id |
| 7 | 125631X | Grip Handle |
| 8 | 124526X | Button Plunger Black |
| 11 | 139865 | Link Lift LH Fixed Length |
| 12 | 139866 | Link Lift RH Fixed Length |
| 13 | 4939M | Retainer Spring |

| KEY NO. | PART NO. | DESCRIPTION |
|---------|----------|------------------------------|
| 15 | 173288 | Link Front |
| 16 | 73350800 | Nut Jam Hex 1/2-13 unc |
| 17 | 175689 | Trunnion |
| 18 | 73800800 | Nut Lockw/Wsh 1/2-13 unc |
| 19 | 139868 | Arm Suspension Rear |
| 20 | 194209 | Pin Cotter 7/16 Bow Tie Lock |
| 31 | 169865 | Bearing Pvt Lift |
| 32 | 73540600 | Nut Crownlock 3/8-24 |

NOTE: All component dimensions given in U. S. inches 1 inch = 25.4 mm.