

### LIMITED WARRANTY

The Manufacturer warrants to the original consumer purchaser that this product as manufactured is free from defects in materials and workmanship. For a period of two (2) years from date of purchase by the original consumer purchaser, we will repair or replace, at our option, without charge for parts or labor incurred in replacing parts, any part which we find to be defective due to materials or workmanship. This Warranty is subject to the following limitations and exclusions.

1. This warranty does not apply to the engine, transaxle/transmission components, battery (except as noted below) or components parts thereof. Please refer to the applicable manufacturer's warranty on these items.
2. Transportation charges for the movement of any power equipment unit or attachment are the responsibility of the purchaser. Transportation charges for any parts submitted for replacement under this warranty must be paid by the purchaser unless such return is requested by the manufacturer.
3. Battery Warranty: On products equipped with a Battery, we will replace, without charge to you, any battery which we find to be defective in manufacture, during the first ninety (90) days of ownership. After ninety (90) days, we will exchange the Battery, charging you 1/12 of the price of a new Battery for each full month from the date of the original sale. Battery must be maintained in accordance with the instructions furnished.
4. The Warranty period for any products used for rental or commercial purposes is limited to 45 days from the date of original purchase.
5. This Warranty applies only to products which have been properly assembled, adjusted, operated, and maintained in accordance with the instructions furnished. This Warranty does not apply to any product which has been subjected to alteration, misuse, abuse, improper assembly or installation, delivery damage, or to normal wear of the product.
6. Exclusions: Excluded from this Warranty are belts, blades, blade adapters, normal wear, normal adjustments, standard hardware and normal maintenance.
7. In the event you have a claim under this Warranty, you must return the product to an authorized service dealer.

Should you have any unanswered questions concerning this Warranty, contact:

Poulan Pro  
Customer Service Department  
1030 Stevens Creek Road  
Augusta, GA 30907 USA

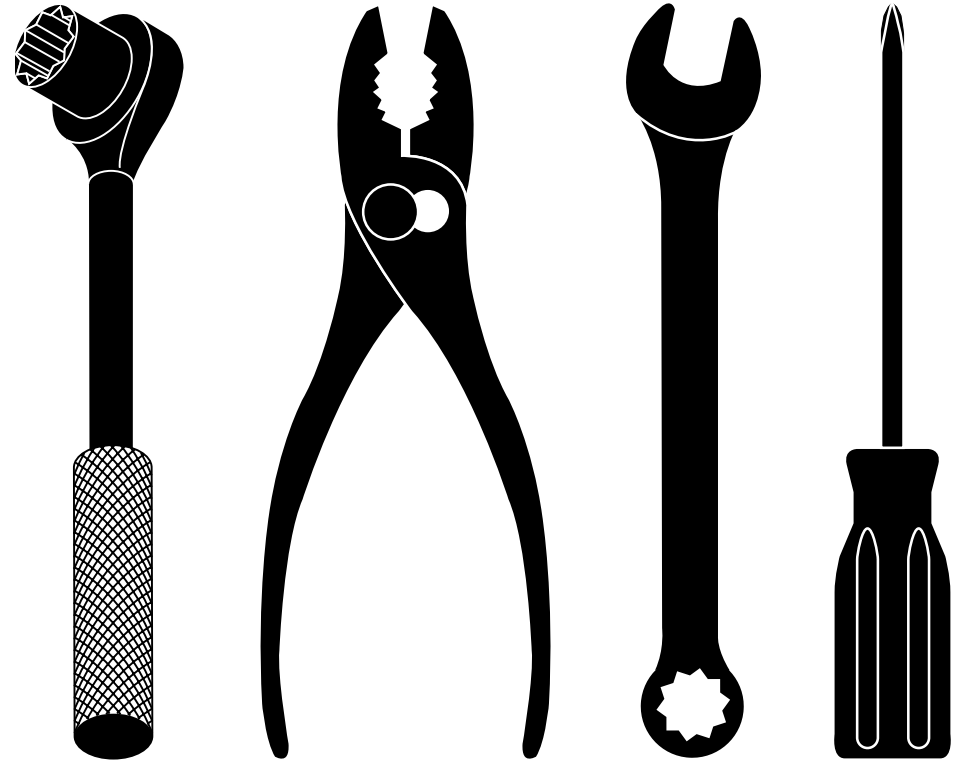
In Canada contact:  
Poulan Pro  
Customer Service Department  
5855 Terry Fox Way  
Mississauga, Ontario L5V 3E4

giving the model number, serial number and date of purchase of your product and the name and address of the authorized dealer from whom it was purchased.

**THIS WARRANTY DOES NOT APPLY TO INCIDENTAL OR CONSEQUENTIAL DAMAGES AND ANY IMPLIED WARRANTIES ARE LIMITED TO THE SAME TIME PERIODS STATED HEREIN FOR OUR EXPRESSED WARRANTIES.**

Some areas do not allow the limitation of consequential damages or limitations of how long an implied Warranty may last, so the above limitations or exclusions may not apply to you. This Warranty gives you specific legal rights, and you may have other rights which vary from locale to locale.

This is a limited Warranty within the meaning of that term as defined in the Magnuson-Moss Act of 1975.



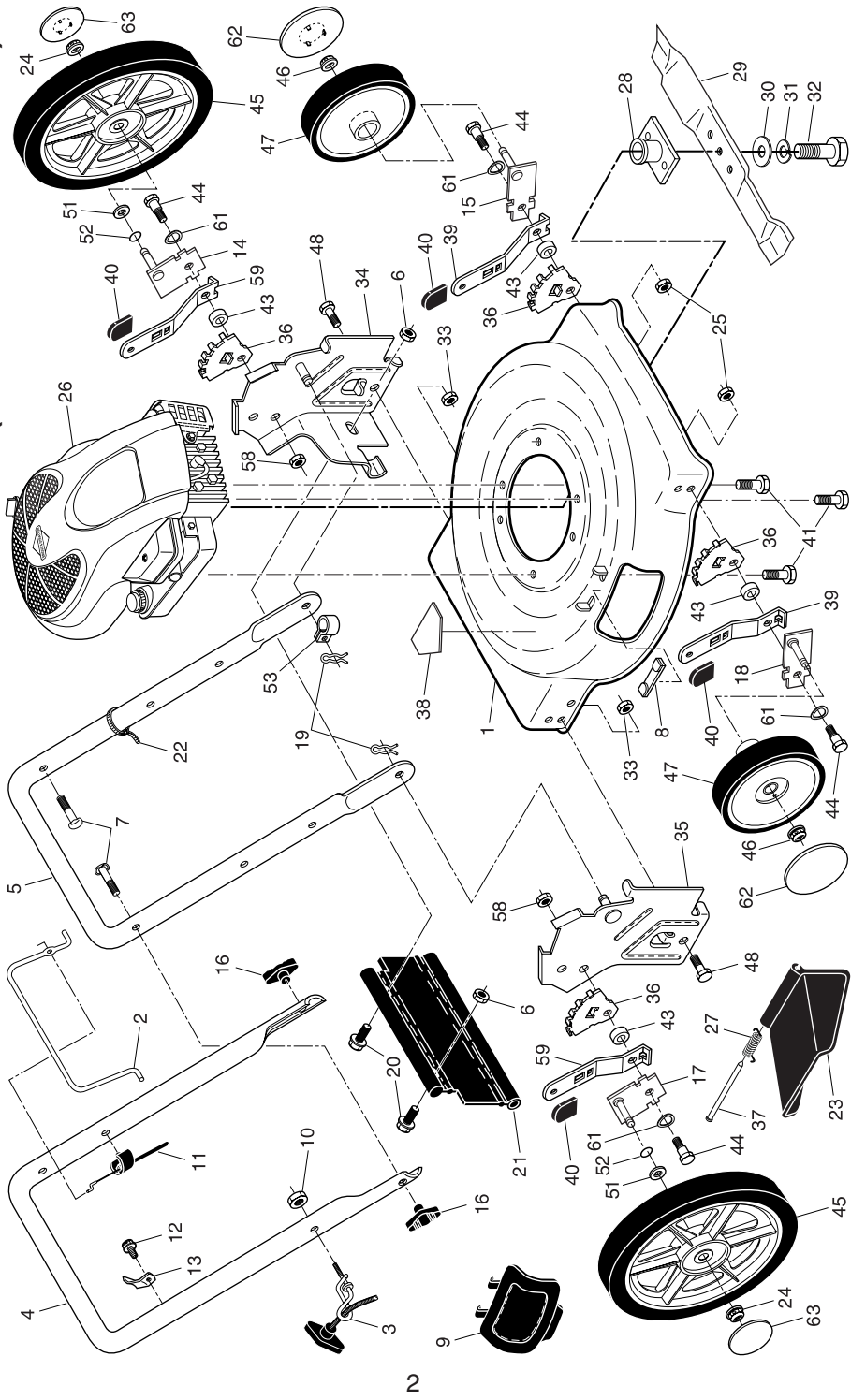
## REPAIR PARTS MANUAL MODEL NO. PR600N22SH (MFG. ID. NO. 96112004400) Rotary Lawn Mower

For Parts and Service, contact our authorized distributor: call 1-800-849-1297  
For Technical Assistance: call 1-800-829-5886

# Poulan PRO

# Poulan PRO

**ROTARY LAWN MOWER -- MODEL NUMBER PR600N22SH (MFG. ID. NO. 96112004400)**



**ROTARY LAWN MOWER -- MODEL NUMBER PR600N22SH (MFG. ID. NO. 96112004400)**

KEY NO.	PART NO.	DESCRIPTION	KEY NO.	PART NO.	DESCRIPTION	KEY NO.	PART NO.	DESCRIPTION
1	165187	Kit, Lawn Mower Housing (Includes Key Number 38)	20	74760412	Screw, Hex Cap Head 1/4-20	37	160833	Hinge Rod
2	194177X428	Control Bar	21	189008	Rear Deflector	38	404763	Danger Decal
3	194788	Rope Guide	22	66426	Wire Tie	39	401621X004	Selector Spring, Front
4	194179X479	Upper Handle	23	160831	Discharge Guard	40	701037X421	Selector Knob
5	169708X479	Lower Handle	24	145212	Nut, Hex, Flangelock 3/8-16	41	150406	Screw, Hex Head, Threaded, Rolled 3/8-16 x 1
6	73800400	Locknut, Hex 1/4-20	25	166785	Nut, Hex, Flangelock 5/16-18	43	401629	Spacer
7	191574	Handle Bolt 5/16-18	26	- - -	Engine, Briggs & Stratton, Model Number 120T02 (For engine service and replacement parts, call Briggs & Stratton at 1-800-233-3723)	44	401638	Shoulder Bolt 5/16-18
8	161622	Clip, Closeout				45	408852X421	Wheel & Tire Assembly, Rear, 12"
9	160830	Mulcher Plate				46	83923	Nut, Hex, Flangelock 3/8-16
10	132004	Nut, Hex 1/4-20				47	150339	Wheel & Tire Assembly, Front, 8"
11	158152	Engine Zone Control Cable				48	74760514	Bolt, Hex Head 5/16-18
12	750634	Hex Washer Head Screw #10-24 x 1/2				51	86348	Washer, Flat 3/8
13	86899X004	Up-Stop Bracket	27	408585	Torsion Spring	52	197480	O-Ring
14	401176X004	Axle Arm Assembly, Rear, LH	28	193707	Blade Adapter	53	197991	Clip, Cable
15	401174X004	Axle Arm Assembly, Front, LH	29	406713	22" Blade	58	751153	Nut, Hex
16	189713X428	Knob, Handle	30	851074	Hardened Washer	59	401624X004	Selector Spring, Rear
17	401177X004	Axle Arm Assembly, Rear, RH	31	850263	Helical Lockwasher 3/8	61	401630	Washer, Curved, Cylindrical
18	401175X004	Axle Arm Assembly, Front, RH	32	851084	Screw, Hex Head, Grade 8, 3/8-24 x 1-3/8	62	407793X421	Hubcap, Front Wheel
19	51793	Hairpin Cotter	33	73800500	Nut, Hex, Nylock 5/16-18	63	407794X421	Hubcap, Rear Wheel
			34	193083X479	Handle Bracket, LH	- -	404764	Warning Decal (not shown)
			35	193082X479	Handle Bracket, RH	- -	193732	Operator's Manual, English
			36	407494X005	Wheel Bracket Adjuster	- -	193734	Operator's Manual, French
						- -	412208	Repair Parts Manual

**IMPORTANT:** Use only Original Equipment Manufacturer (O.E.M.) replacement parts. Failure to do so could be hazardous, damage your lawn mower and void your warranty.

**NOTE:** All component dimensions given in U.S. inches. 1 inch = 25.4 mm.