

LIMITED WARRANTY

The Manufacturer warrants to the original consumer purchaser that this product as manufactured is free from defects in materials and workmanship. For a period of two (2) years from date of purchase by the original consumer purchaser, we will repair or replace, at our option, without charge for parts or labor incurred in replacing parts, any part which we find to be defective due to materials or workmanship. This Warranty is subject to the following limitations and exclusions.

1. This warranty does not apply to the engine, transaxle/transmission components, battery (except as noted below) or components parts thereof. Please refer to the applicable manufacturer's warranty on these items.
2. Transportation charges for the movement of any power equipment unit or attachment are the responsibility of the purchaser. Transportation charges for any parts submitted for replacement under this warranty must be paid by the purchaser unless such return is requested by the manufacturer.
3. Battery Warranty: On products equipped with a Battery, we will replace, without charge to you, any battery which we find to be defective in manufacture, during the first ninety (90) days of ownership. After ninety (90) days, we will exchange the Battery, charging you 1/12 of the price of a new Battery for each full month from the date of the original sale. Battery must be maintained in accordance with the instructions furnished.
4. The Warranty period for any products used for rental or commercial purposes is limited to 45 days from the date of original purchase.
5. This Warranty applies only to products which have been properly assembled, adjusted, operated, and maintained in accordance with the instructions furnished. This Warranty does not apply to any product which has been subjected to alteration, misuse, abuse, improper assembly or installation, delivery damage, or to normal wear of the product.
6. Exclusions: Excluded from this Warranty are belts, blades, blade adapters, normal wear, normal adjustments, standard hardware and normal maintenance.
7. In the event you have a claim under this Warranty, you must return the product to an authorized service dealer.

Should you have any unanswered questions concerning this Warranty, contact:

Poulan
Customer Service Department
1030 Stevens Creek Road
Augusta, GA 30907 USA

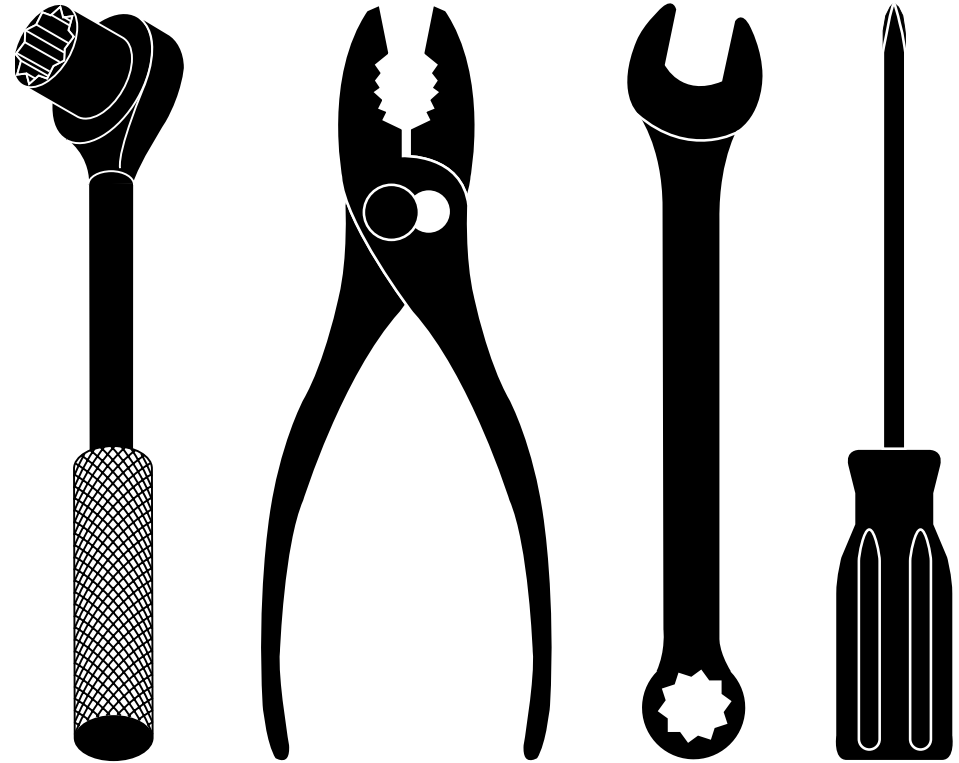
In Canada contact:
Poulan
Customer Service Department
5855 Terry Fox Way
Mississauga, Ontario L5V 3E4

giving the model number, serial number and date of purchase of your product and the name and address of the authorized dealer from whom it was purchased.

THIS WARRANTY DOES NOT APPLY TO INCIDENTAL OR CONSEQUENTIAL DAMAGES AND ANY IMPLIED WARRANTIES ARE LIMITED TO THE SAME TIME PERIODS STATED HEREIN FOR OUR EXPRESSED WARRANTIES.

Some areas do not allow the limitation of consequential damages or limitations of how long an implied Warranty may last, so the above limitations or exclusions may not apply to you. This Warranty gives you specific legal rights, and you may have other rights which vary from locale to locale.

This is a limited Warranty within the meaning of that term as defined in the Magnuson-Moss Act of 1975.



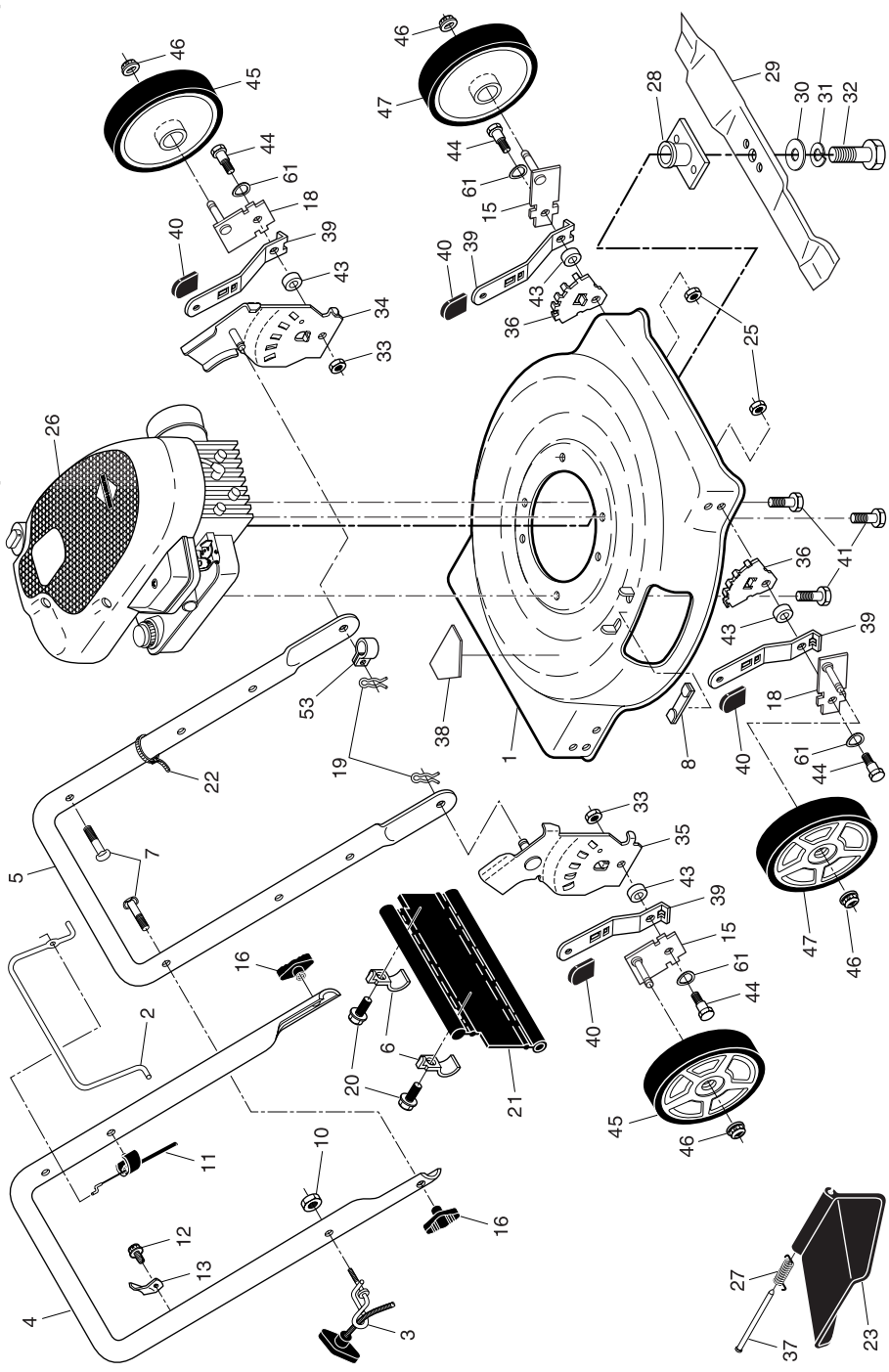
REPAIR PARTS MANUAL MODEL NO. **PO500N22S** MFG. ID. NO. **96112004101** Rotary Lawn Mower

For Parts and Service, contact our authorized distributor: call 1-800-849-1297
For Technical Assistance: call 1-800-829-5886

Poulan

Poulan

ROTARY LAWN MOWER - MODEL NUMBER PO500N22S (MFG. ID. NUMBER 96112004101)



2

ROTARY LAWN MOWER - MODEL NUMBER PO500N22S (MFG. ID. NUMBER 96112004101)

| KEY NO. | PART NO. | DESCRIPTION | KEY NO. | PART NO. | DESCRIPTION |
|---------|------------|---|---------|------------|--|
| 1 | 403018 | Kit, Housing (Includes Key Number 38) | 27 | 408585 | Torsion Spring |
| 2 | 194177X428 | Control Bar | 28 | 193825 | Blade Adapter |
| 3 | 194788 | Rope Guide | 29 | 406713 | 22" Blade |
| 4 | 194179X479 | Upper Handle | 30 | 851074 | Hardened Washer |
| 5 | 169708X479 | Lower Handle | 31 | 850263 | Helical Lockwasher 3/8 |
| 6 | 192301X004 | Shoulder Bolt 5/16-18 x 1/2 | 32 | 851084 | Screw, Hex Head, Grade 8, 3/8-24 x 1-3/8 |
| 7 | 191574 | Handle Bolt 5/16-18 | 33 | 73930500 | Nut, Hex, Flangelock 5/16-18 |
| 8 | 161622 | Clip, Closeout | 34 | 400781X479 | Wheel Bracket Support (Left) |
| 10 | 132004 | Locknut, Hex 1/4-20 | 35 | 400782X479 | Wheel Bracket Support (Right) |
| 11 | 183281 | Engine Zone Control Cable | 36 | 407494X005 | Wheel Bracket Adjuster |
| 12 | 750634 | Screw, Hex Head, Threaded, Rolled #10-24 x 1/2 | 37 | 160833 | Hinge Rod |
| 13 | 86899X004 | Up-Stop Bracket | 38 | 404763 | Danger Decal |
| 15 | 401174X004 | Axle Arm Assembly, Left Front & Right Rear | 39 | 401621X004 | Selector Spring |
| 16 | 189713X428 | Handle Knob | 40 | 87877 | Selector Knob |
| 18 | 401175X004 | Axle Arm Assembly, Right Front & Left Rear | 41 | 150406 | Screw, Hex Head, Threaded, Rolled 3/8-16 x 1 |
| 19 | 51793 | Hairpin Cotter | 43 | 401629 | Spacer |
| 20 | 750097 | Screw, Tapping, Hex Washer Head #10-24 | 44 | 401638 | Shoulder Bolt 5/16-18 x .33 |
| 21 | 413160 | Rear Skirt | 45 | 193931X427 | Wheel & Tire Assembly, Rear |
| 22 | 66426 | Wire Tie | 46 | 409148 | Nut, Hex, Flangelock 3/8-16 |
| 23 | 160831 | Discharge Guard | 47 | 193931X427 | Wheel & Tire Assembly, Front |
| 25 | 166785 | Nut, Hex, Flangelock 5/16-18 | 53 | 197991 | Clip, Cable |
| 26 | - - - | Engine, Briggs & Stratton, Model Number 10T502 (For engine service and replacement parts, call Briggs & Stratton at 1-800-233-3723) | 61 | 401630 | Washer, Curved, Cylindrical |
| | | | - - | 404764 | Warning Decal (not shown) |
| | | | - - | 193732 | Operator's Manual, English |
| | | | - - | 193734 | Operator's Manual, French |
| | | | - - | 417097 | Repair Parts Manual |

3

IMPORTANT: Use only Original Equipment Manufacturer (O.E.M.) replacement parts. Failure to do so could be hazardous, damage your lawn mower and void your warranty.

NOTE: All component dimensions given in U.S. inches. 1 inch = 25.4 mm.