

### LIMITED WARRANTY

The Manufacturer warrants to the original consumer purchaser that this product as manufactured is free from defects in materials and workmanship. For a period of two (2) years from date of purchase by the original consumer purchaser, we will repair or replace, at our option, without charge for parts or labor incurred in replacing parts, any part which we find to be defective due to materials or workmanship. This Warranty is subject to the following limitations and exclusions.

1. This warranty does not apply to the engine, transaxle/transmission components, battery (except as noted below) or components parts thereof. Please refer to the applicable manufacturer's warranty on these items.
2. Transportation charges for the movement of any power equipment unit or attachment are the responsibility of the purchaser. Transportation charges for any parts submitted for replacement under this warranty must be paid by the purchaser unless such return is requested by the manufacturer.
3. Battery Warranty: On products equipped with a Battery, we will replace, without charge to you, any battery which we find to be defective in manufacture, during the first ninety (90) days of ownership. After ninety (90) days, we will exchange the Battery, charging you 1/12 of the price of a new Battery for each full month from the date of the original sale. Battery must be maintained in accordance with the instructions furnished.
4. The Warranty period for any products used for rental or commercial purposes is limited to 45 days from the date of original purchase.
5. This Warranty applies only to products which have been properly assembled, adjusted, operated, and maintained in accordance with the instructions furnished. This Warranty does not apply to any product which has been subjected to alteration, misuse, abuse, improper assembly or installation, delivery damage, or to normal wear of the product.
6. Exclusions: Excluded from this Warranty are belts, blades, blade adapters, normal wear, normal adjustments, standard hardware and normal maintenance.
7. In the event you have a claim under this Warranty, you must return the product to an authorized service dealer.

Should you have any unanswered questions concerning this Warranty, contact:

Poulan  
Customer Service Department  
1030 Stevens Creek Road  
Augusta, GA 30907 USA

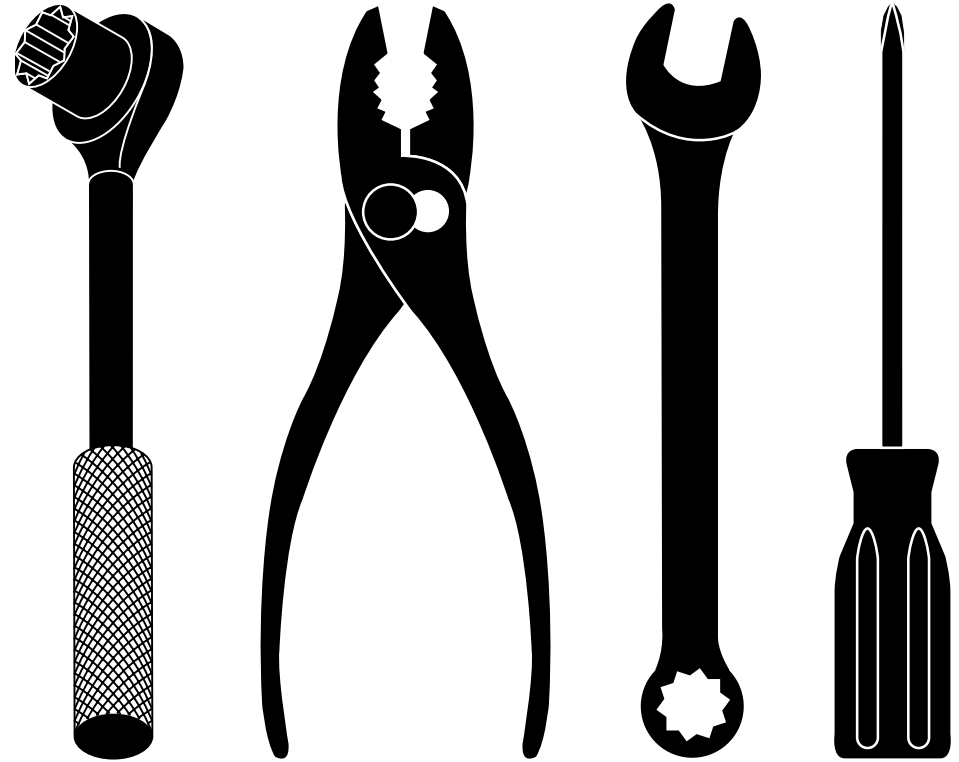
In Canada contact:  
Poulan  
Customer Service Department  
5855 Terry Fox Way  
Mississauga, Ontario L5V 3E4

giving the model number, serial number and date of purchase of your product and the name and address of the authorized dealer from whom it was purchased.

**THIS WARRANTY DOES NOT APPLY TO INCIDENTAL OR CONSEQUENTIAL DAMAGES AND ANY IMPLIED WARRANTIES ARE LIMITED TO THE SAME TIME PERIODS STATED HEREIN FOR OUR EXPRESSED WARRANTIES.**

Some areas do not allow the limitation of consequential damages or limitations of how long an implied Warranty may last, so the above limitations or exclusions may not apply to you. This Warranty gives you specific legal rights, and you may have other rights which vary from locale to locale.

This is a limited Warranty within the meaning of that term as defined in the Magnuson-Moss Act of 1975.

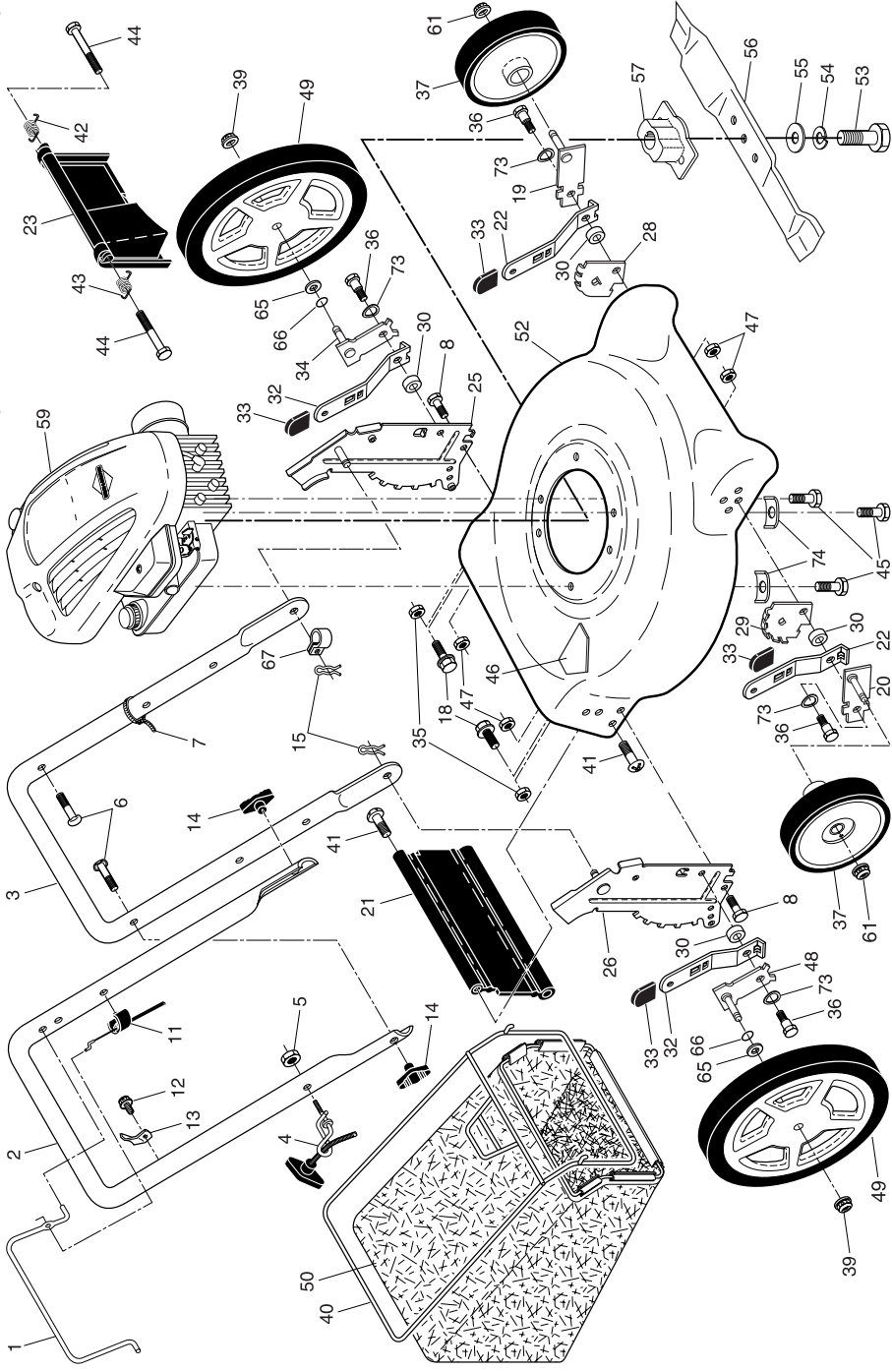


## REPAIR PARTS MANUAL MODEL NO. **PO500N21RH** MFG. ID. NO. **96132002200** Rotary Lawn Mower

# Poulan

# Poulan

# ROTARY LAWN MOWER -- MODEL NUMBER PO500N21RH (MFG. ID. NO. 96132002200)



# ROTARY LAWN MOWER -- MODEL NUMBER PO500N21RH (MFG. ID. NO. 96132002200)

KEY NO.	PART NO.	DESCRIPTION	KEY NO.	PART NO.	DESCRIPTION	KEY NO.	PART NO.	DESCRIPTION
1	194177X428	Control Bar	28	407500X005	Wheel Adjusting Bracket, Front, LH	49	193926X427	Wheel & Tire Assembly, Rear 12 x 1-3/4
2	194179X479	Upper Handle	29	407499X005	Wheel Adjusting Bracket, Front, RH	50	402263	Grassbag
3	169708X479	Lower Handle	30	401629	Spacer	52	410180	Housing Assembly (Includes Key #17, 18 & 46)
4	194788	Rope Guide	32	401624X004	Selector Spring, Rear	53	851084	Hex Head Screw 3/8-24 x 1-3/8 Grade 8
5	132004	Nut, Hex	33	87877	Selector Knob	54	850263	Helical Lockwasher
6	191574	Handle Bolt	34	401176X004	Axle Arm Assembly, Rear, LH	55	851074	Hardened Washer
7	66426	Wire Tie	35	751153	Nut, Hex	56	406712	21" Blade
8	74780512	Bolt, Hex Head 5/16-18 x 3/4	36	401638	Shoulder Bolt 5/16-18	57	193825	Blade Adapter
11	176556	Engine Zone Control Cable	37	193931X427	Wheel & Tire Assembly, Front 7 x 1-3/4	59	- - -	Engine, Briggs & Stratton, Model Number 10T502 (For engine service and replacement parts, call Briggs & Stratton at 1-800-233-3723)
12	750634	Hex Washer Head Screw #10-24 x 1/2	39	145212	Nut, Hex			
13	86899X004	Up-Stop Bracket	40	401808	Frame, Grassbag			
14	189713X428	Handle Knob	41	88652	Screw, Hinge			
15	51793	Hairpin Cotter	42	405421	Spring, LH			
18	17600406	Screw	43	405423	Spring, RH			
19	401174X004	Axle Arm Assembly, Front, LH	44	184193	Bolt, Rear Door			
20	401175X004	Axle Arm Assembly, Front, RH	45	150406	Hex Head Thread Rolling Screw 3/8-16 x 1			
21	189008	Rear Skirt	46	404763	Danger Decal	61	83923	Flanged Locknut
22	401621X004	Selector Spring, Front	47	166785	Locknut, Hex 5/16-18	65	86348	Washer, Flat
23	401814X004	Rear Door Assembly	48	401177X004	Axle Arm Assembly, Rear, RH	66	197480	O-Ring
25	400627X479	Handle Bracket Assembly, LH				67	197991	Clip, Cable
26	400628X479	Handle Bracket Assembly, RH				73	401630	Washer, Curved, Cylindrical
						74	851201X004	Washer, Special, Engine Warning Decal (not shown)
						- -	404764	Warning Decal (not shown)
						- -	193732	Operator's Manual, English
						- -	193734	Operator's Manual, French
						- -	412207	Repair Parts Manual

**IMPORTANT:** Use only Original Equipment Manufacturer (O.E.M.) replacement parts. Failure to do so could be hazardous, damage your lawn mower and void your warranty.

**NOTE:** All component dimensions given in U.S. inches. 1 inch = 25.4 mm.