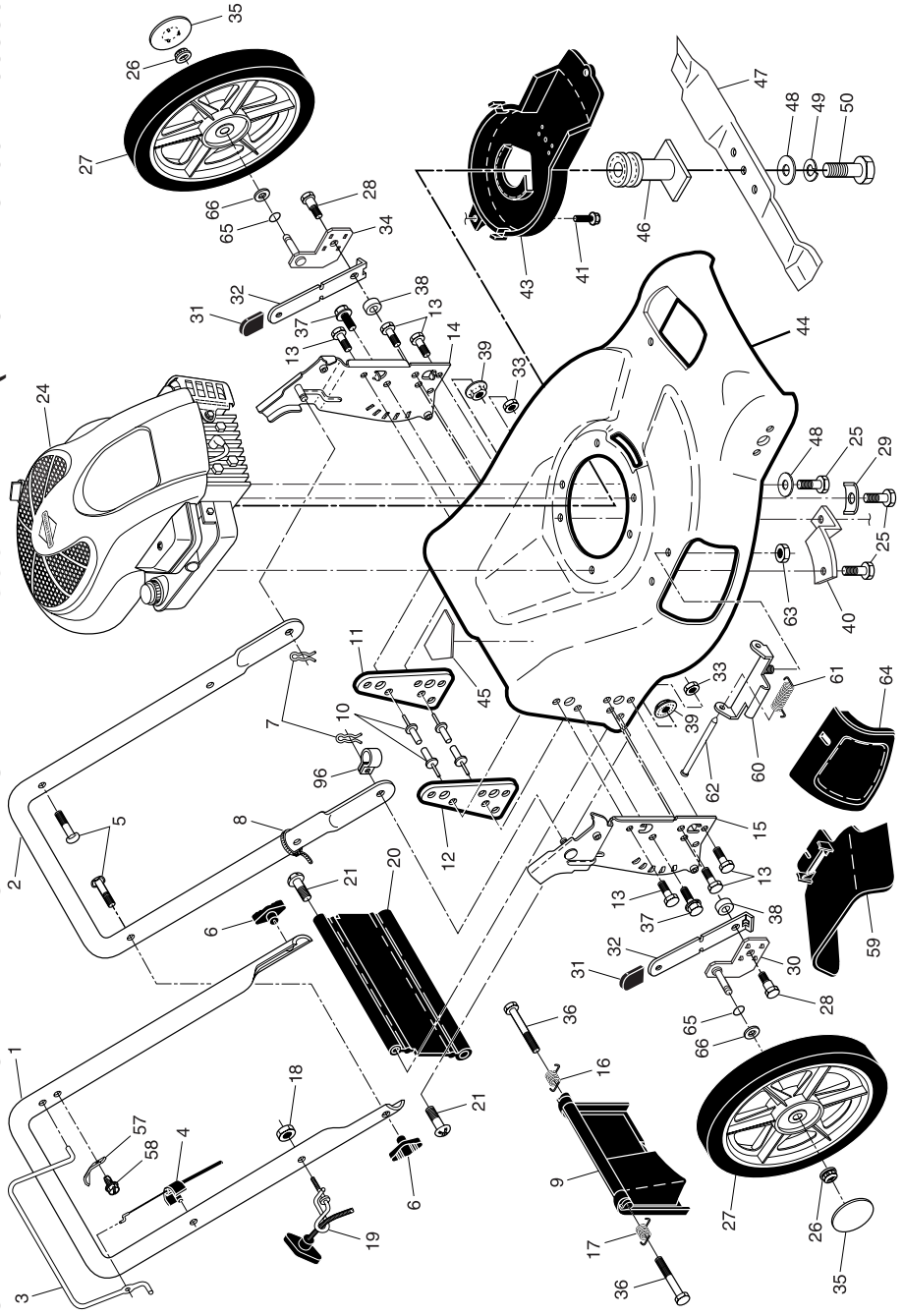


REPAIR PARTS MANUAL
MODEL NO. PR600Y21RHP
(MFG. ID. NO. 96142003500)
Rotary Lawn Mower

For Parts and Service, contact our authorized distributor: call 1-800-849-1297
For Technical Assistance: call 1-800-829-5886

Poulan PRO

Poulan PRO



LIMITED WARRANTY

The Manufacturer warrants to the original consumer purchaser that this product as manufactured is free from defects in materials and workmanship. For a period of two (2) years from date of purchase by the original consumer purchaser, we will repair or replace, at our option, without charge for parts or labor incurred in replacing parts, any part which we find to be defective due to materials or workmanship. This Warranty is subject to the following limitations and exclusions.

1. This warranty does not apply to the engine, transaxle/transmission components, battery (except as noted below) or components parts thereof. Please refer to the applicable manufacturer's warranty on these items.
2. Transportation charges for the movement of any power equipment unit or attachment are the responsibility of the purchaser. Transportation charges for any parts submitted for replacement under this warranty must be paid by the purchaser unless such return is requested by the manufacturer.
3. Battery Warranty: On products equipped with a Battery, we will replace, without charge to you, any battery which we find to be defective in manufacture, during the first ninety (90) days of ownership. After ninety (90) days, we will exchange the Battery, charging you 1/12 of the price of a new Battery for each full month from the date of the original sale. Battery must be maintained in accordance with the instructions furnished.
4. The Warranty period for any products used for rental or commercial purposes is limited to 45 days from the date of original purchase.
5. This Warranty applies only to products which have been properly assembled, adjusted, operated, and maintained in accordance with the instructions furnished. This Warranty does not apply to any product which has been subjected to alteration, misuse, abuse, improper assembly or installation, delivery damage, or to normal wear of the product.
6. Exclusions: Excluded from this Warranty are belts, blades, blade adapters, normal wear, normal adjustments, standard hardware and normal maintenance.
7. In the event you have a claim under this Warranty, you must return the product to an authorized service dealer.

Should you have any unanswered questions concerning this Warranty, contact:

Poulan Pro
Customer Service Department
1030 Stevens Creek Road
Augusta, GA 30907 USA

In Canada contact:
Poulan Pro
Customer Service Department
5855 Terry Fox Way
Mississauga, Ontario L5V 3E4

giving the model number, serial number and date of purchase of your product and the name and address of the authorized dealer from whom it was purchased.

THIS WARRANTY DOES NOT APPLY TO INCIDENTAL OR CONSEQUENTIAL DAMAGES AND ANY IMPLIED WARRANTIES ARE LIMITED TO THE SAME TIME PERIODS STATED HEREIN FOR OUR EXPRESSED WARRANTIES.

Some areas do not allow the limitation of consequential damages or limitations of how long an implied Warranty may last, so the above limitations or exclusions may not apply to you. This Warranty gives you specific legal rights, and you may have other rights which vary from locale to locale.

This is a limited Warranty within the meaning of that term as defined in the Magnuson-Moss Act of 1975.

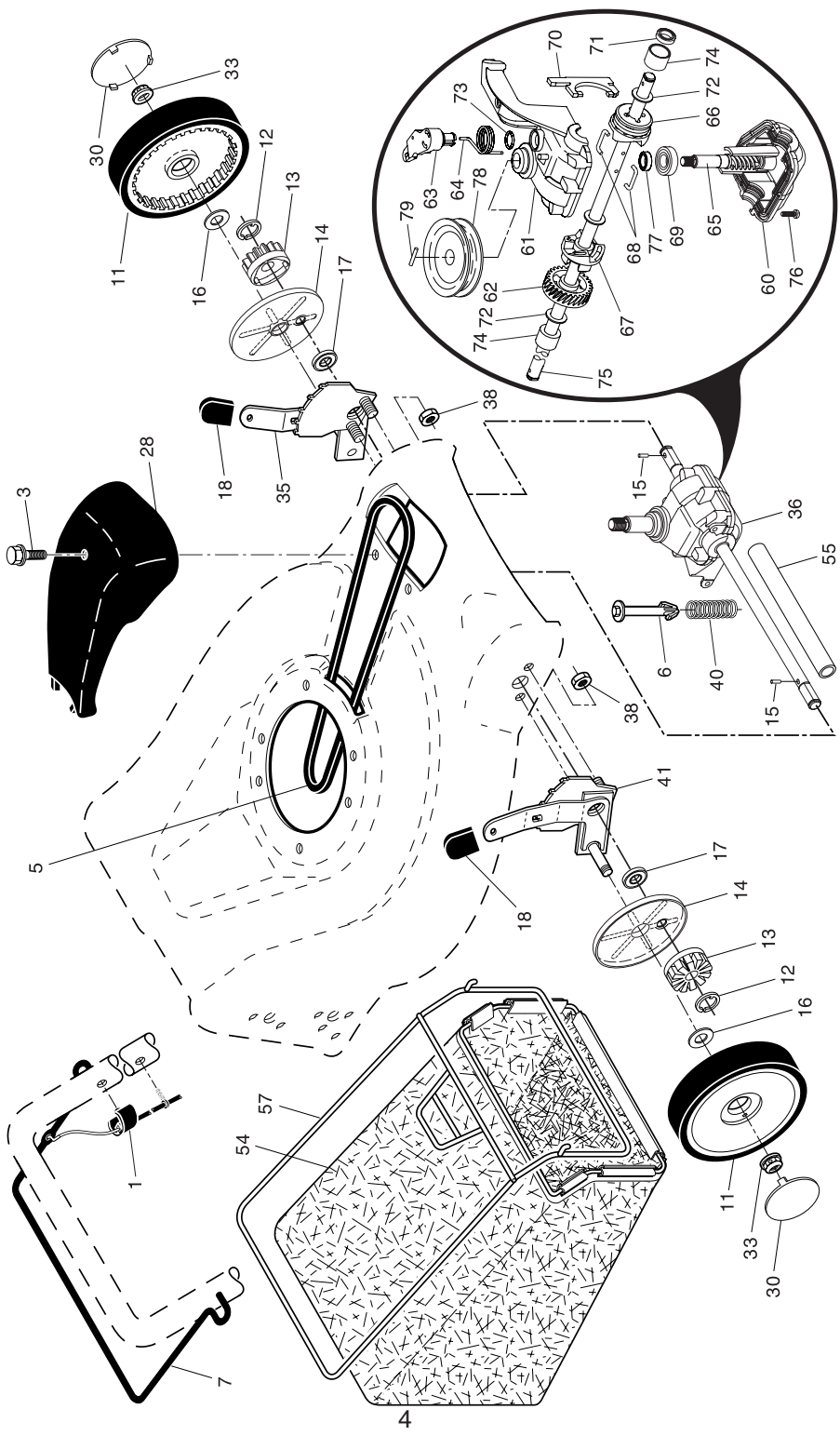
ROTARY LAWN MOWER - - MODEL NUMBER PR600Y21RHP (MFG. ID. NO. 96142003500)

KEY NO.	PART NO.	DESCRIPTION	KEY NO.	PART NO.	DESCRIPTION	KEY NO.	PART NO.	DESCRIPTION
1	194200X479	Upper Handle	25	150406	Screw, Hex Head,	44	407294	Kit, Housing (Includes Key
2	151721X479	Lower Handle	26	145212	Threaded, Rolled 3/8-16 x 2	45	404763	Numbers 10, 11, 12 and 45)
3	194199X421	Control Bar	27	408852X421	Nut, Hex, Flangelock 3/8-16	46	189179	Danger Decal
4	183567	Engine Zone Control Cable	28	160828	Wheel & Tire Assembly,	47	406712	Blade Adapter / Pulley
5	191574	Handle Bolt	30	193126X004	Rear, 12"	48	851074	Blade, 21"
6	189713X428	Handle Knob	31	701037X421	Bolt, Shoulder 5/16-18	49	850263	Hardened Washer
7	51793	Hairpin Cotter	32	175060X004	Axle Arm Assembly,	50	851084	Helical Washer 3/8
8	66426	Wire Tie	33	73800500	Rear, RH	57	850733X004	Grade 8
9	401812X428	Rear Door Assembly	34	193127X004	Selector Knob	58	750634	Bracket, Upstop
10	128415	Pop Rivet	35	407794X421	Selector Spring	59	175071	Screw
11	406573X479	Support Bracket, LH	36	184193	Nut, Hex, Nylock 5/16-18	60	175735	Discharge Deflector
12	406574X479	Support Bracket, RH	37	74780512	Axle Arm Assembly,	61	193000	Hinge Bracket
13	17060410	Screw 1/4-20 x 5/8	38	19112206	Rear, LH	62	175650	Spring
14	175576X479	Handle Bracket, LH	39	198541	Hubcap	63	73800400	Rod, Hinge
15	175577X479	Handle Bracket, RH	40	188839X004	Bolt, Rear Door	64	175066	Nut, Hex
16	405417	Spring, Rear Door, LH	41	192325	Thread Cutting Screw	65	197480	Mulcher Door
17	405418	Spring, Rear Door, RH	43	405845	w/Sems 5/16-18 x 3/4	66	88348	O-Ring
18	132004	Keps Locknut 1/4-20			Washer, Flat .34 x 1.38	66	88348	Washer, Flat 1/2
19	194788	Rope Guide			Nut, Hex	96	197991	Clip, Cable
20	189005	Rear Skirt			Mounting Bracket,	--	404764	Warning Decal (not shown)
21	88652	Hinge Screw 1/4-20 x 1-1/4			Debris Shield	--	193733	Operator's Manual, English
24	---	Engine, Briggs & Stratton,			Screw, Debris Shield	--	193736	Operator's Manual, French
		Model Number 120T02			Debris Shield	--	412216	Repair Parts Manual
		(For engine service and replacement parts, call Briggs & Stratton at 1-800-233-3723)						

IMPORTANT: Use only Original Equipment Manufacturer (O.E.M.) replacement parts. Failure to do so could be hazardous, damage your lawn mower and void your warranty.

NOTE: All component dimensions given in U.S. inches. 1 inch = 25.4 mm.

ROTARY LAWN MOWER -- MODEL NUMBER PR600Y21RHP (MFG. ID. NO. 96142003500)



ROTARY LAWN MOWER -- MODEL NUMBER PR600Y21RHP (MFG. ID. NO. 96142003500)

KEY NO.	PART NO.	DESCRIPTION	KEY NO.	PART NO.	DESCRIPTION
1	194653	Drive Control Assembly	55	175739	Driveshaft Cover
3	175262	Pan Head Tapping Screw #10-24 x 2-3/4	57	401802	Frame, Grassbag
5	175436	V-Belt	60	183497	* Case, Lower
6	150495	Retainer, Spring	61	183498	* Case, Upper
7	194185X428	Bar, Drive Control	62	183499	Gear, 27 Teeth
11	180775	Wheel & Tire Assembly, Front, 8"	63	183500	Lever, Clutch
12	12000058	E-Ring	64	183501	Spring, Return
13	403849	Pinion, Gear	65	183502	Shaft, Input
14	189403	Dust Cover	66	183503	Dog, Movable
15	191017	Pawl, Drive	67	183504	Dog, Fixed
16	67725	Washer 1/2 x 1-1/2 x .134	68	183505	Wire, Formed
17	191039	Bearing, Wheel Adjuster	69	183506	Bearing, Ball
18	701037X421	Selector Knob	70	183507	Fork, Shift
28	194404X428	Drive Cover	71	183508	Seal, Output Shaft
30	407793X421	Hubcap	72	183509	Washer
33	83923	Locknut	73	183510	Seal, Case
35	409097	Kit, Wheel Adjuster, LH (Includes Knob and Bearing)	74	183511	Bushing
36	199205	Gear Case Assembly, Complete	75	196613	Shaft, Output
38	73800400	Locknut 1/4-20	76	183513	Screw
40	137090	Spring	77	183514	Seal, Input Shaft
41	409098	Kit, Wheel Adjuster, RH (Includes Knob and Bearing)	78	199852	Drive Pulley
54	411063	Grassbag Assembly	79	199419	Pin, Retainer

* Use Dow Corning #709 to reseal Gear Case Halves.

IMPORTANT: Use only Original Equipment Manufacturer (O.E.M.) replacement parts. Failure to do so could be hazardous, damage your lawn mower and void your warranty.

NOTE: All component dimensions given in U.S. inches. 1 inch = 25.4 mm.